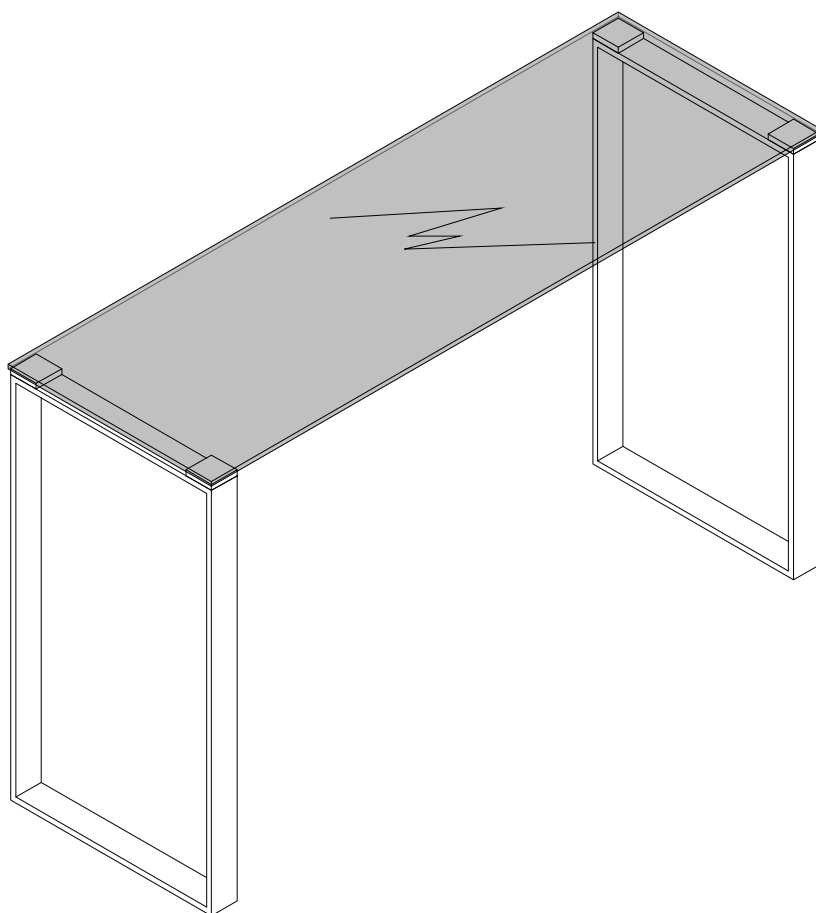


TILON



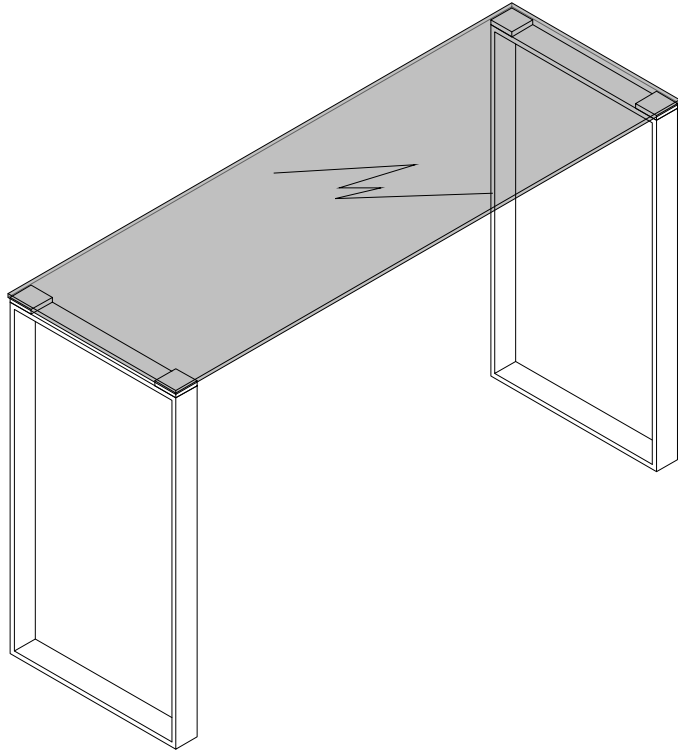
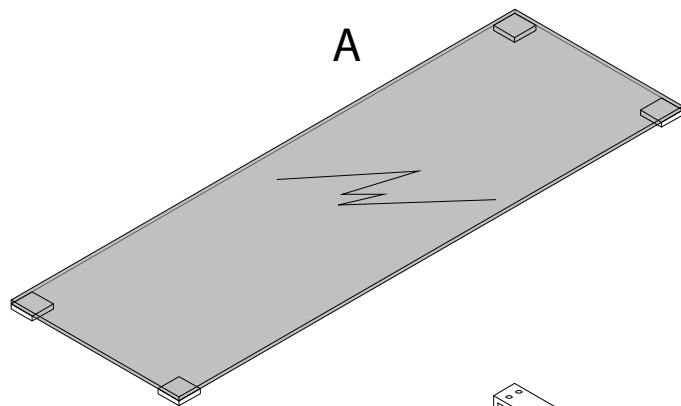
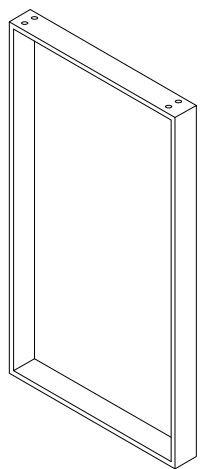


Diagram illustrating assembly instructions and safety warnings:

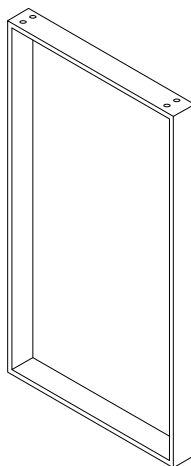
- Warning 1:** A warning triangle with an exclamation mark is shown next to a circular icon containing an L-shaped metal bracket and a crossed-out power drill, indicating that a power drill should not be used for this step.
- Warning 2:** A second warning triangle with an exclamation mark is shown next to a circular icon containing a rectangular block being placed on a textured surface and a crossed-out diagram of the block being placed on a flat surface, indicating that the block must be placed on a textured surface.
- Time:** A clock icon is shown next to the text "15'", indicating a 15-minute time limit for this step.
- Personnel:** A person icon is shown next to the number "1", indicating that one person is required for this step.



A

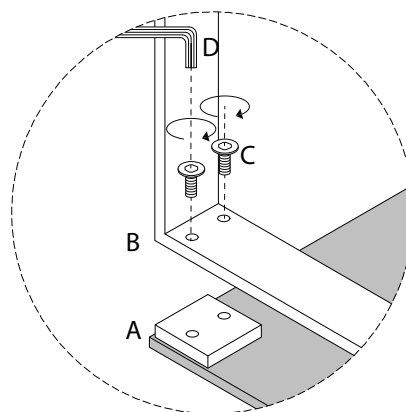
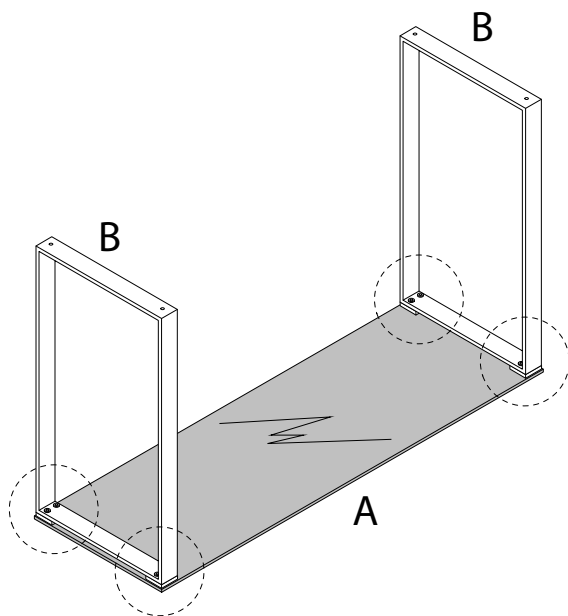
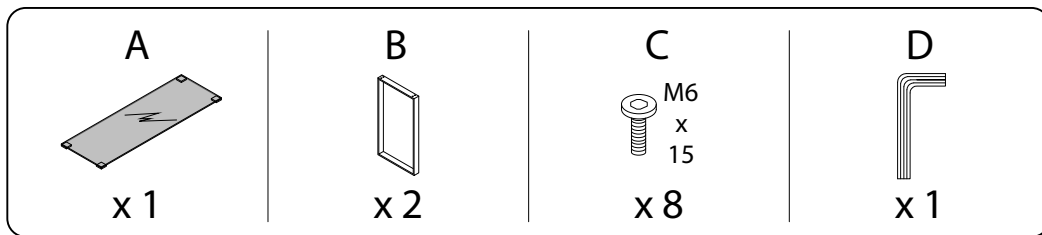


B x 2



A	B	C	D	E
		<p>M6 x 15</p>		
x 1	x 2	x 8	x 1	x 4

1



2

