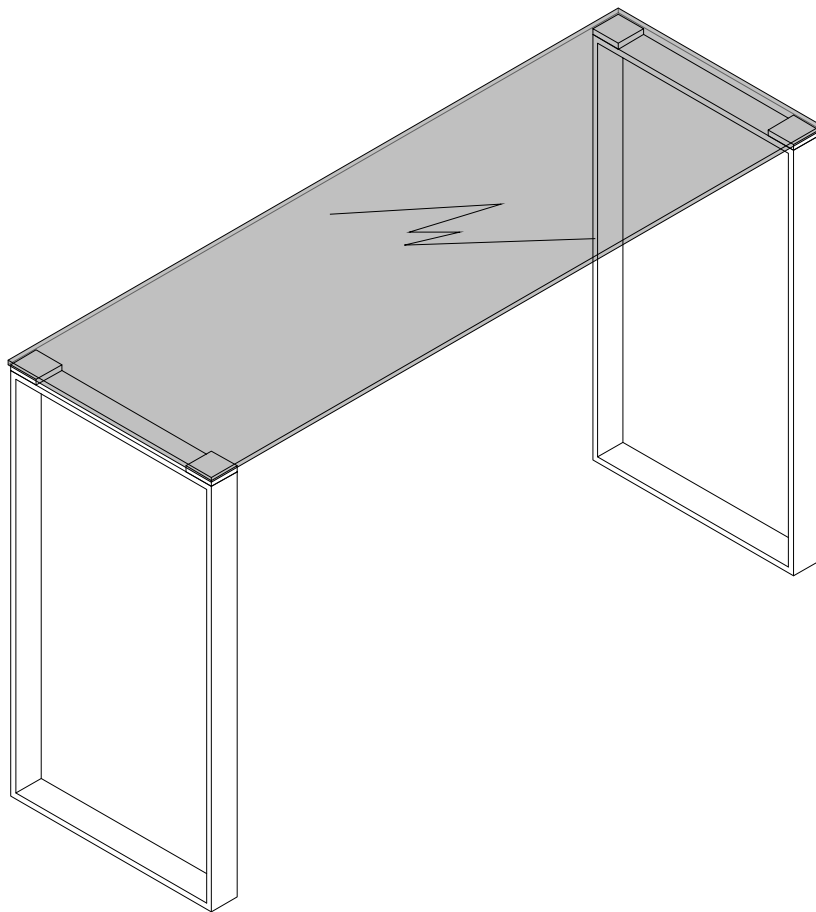
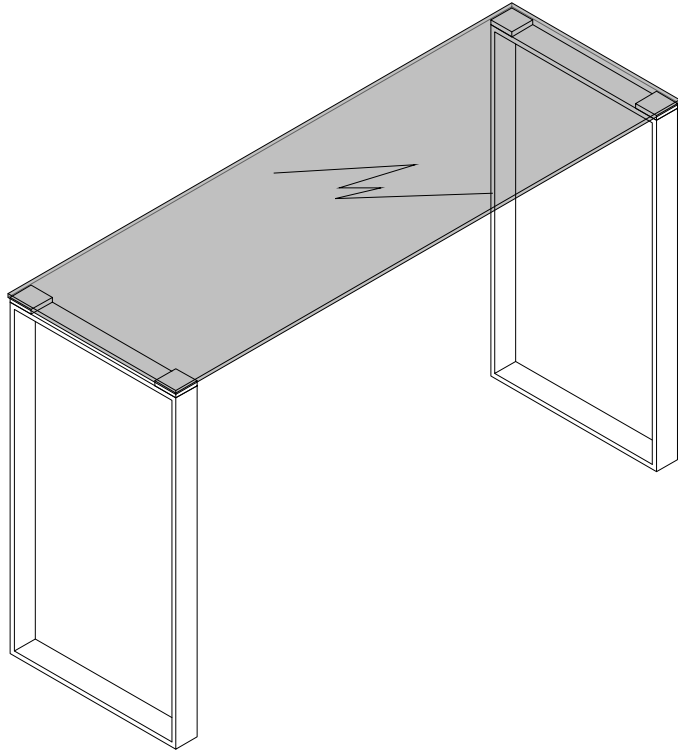
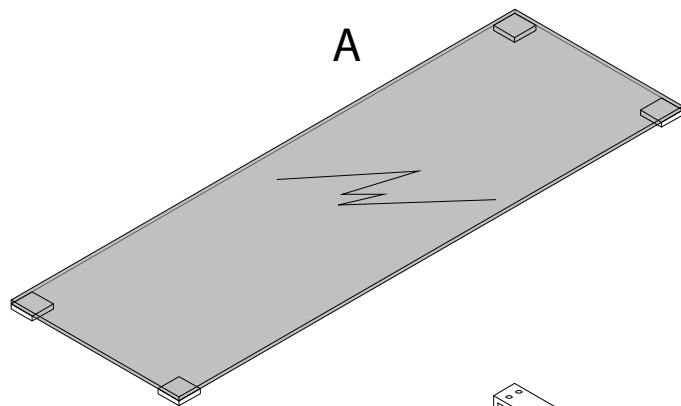


TILON

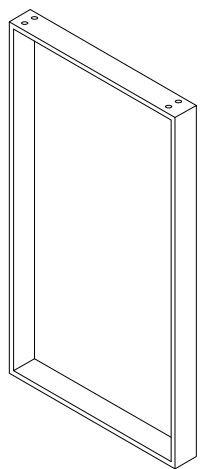




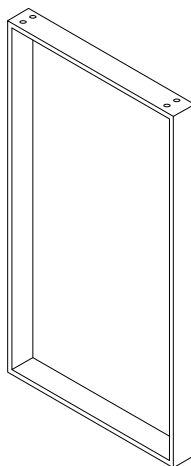
| | | |
|--|--|------------|
| | | |
| | | <p>15'</p> |
| | | |
| | | <p>1</p> |



A

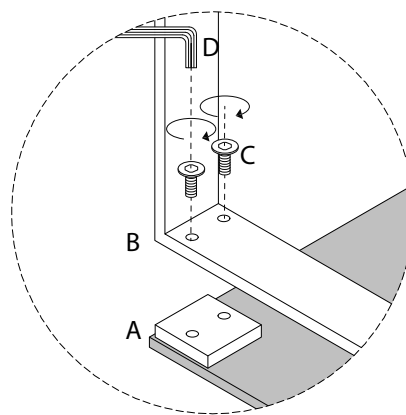
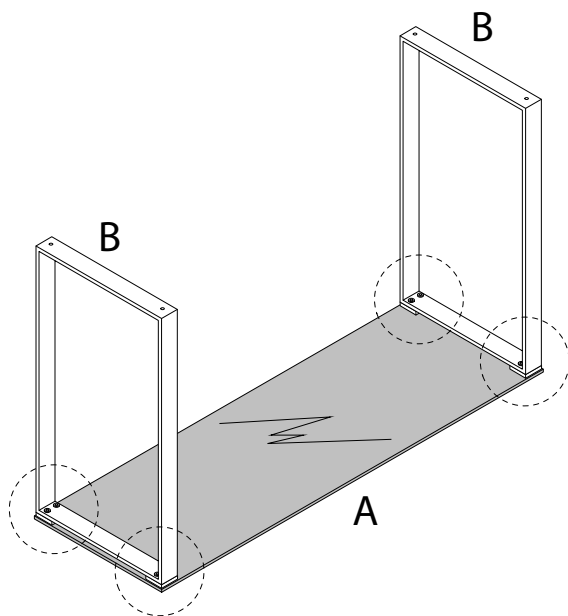
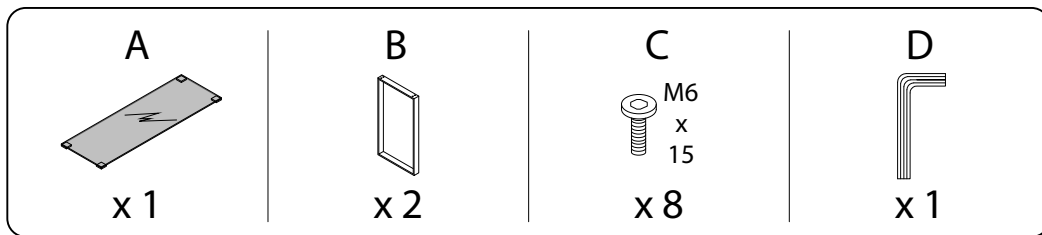


B x 2



| A | B | C | D | E |
|-----|-----|------------------------|-----|-----|
| | | <p>M6 x 15</p> | | |
| x 1 | x 2 | x 8 | x 1 | x 4 |

1



2

