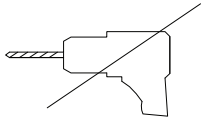

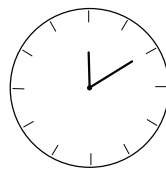
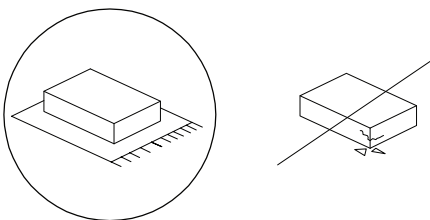

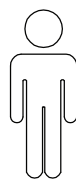


KANRI



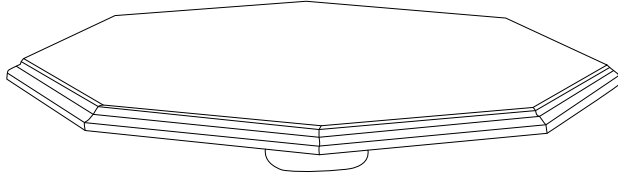


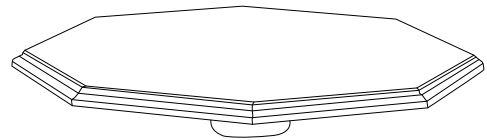
10'

1

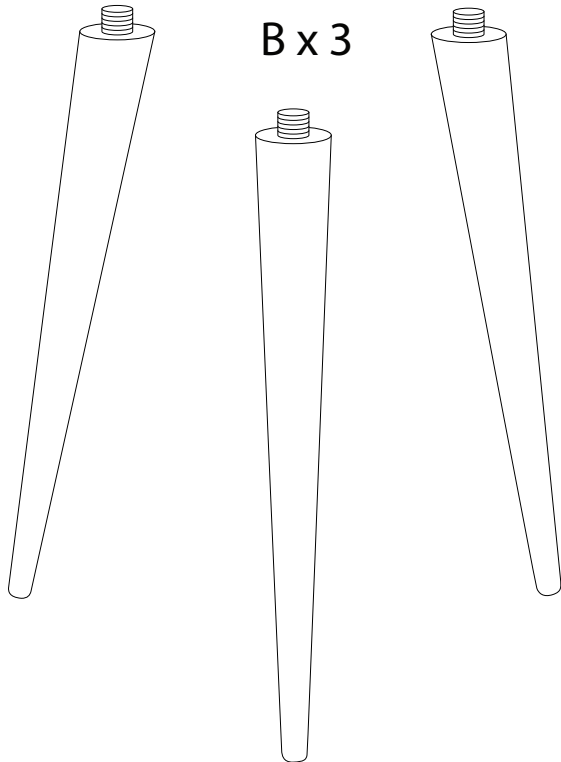
A



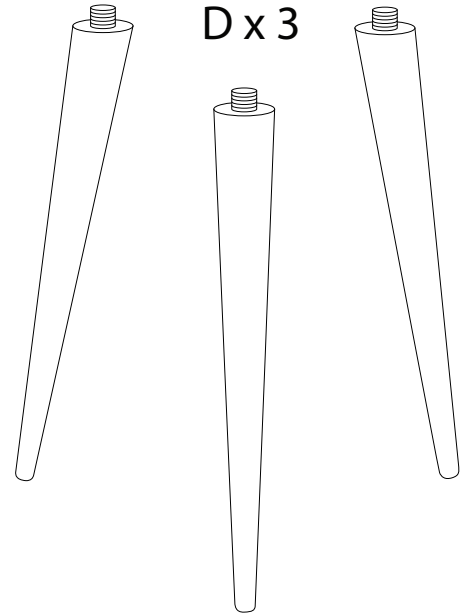
C



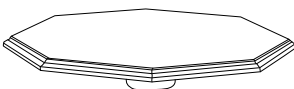
B x 3



D x 3



A



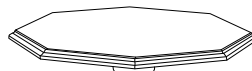
x 1

B



x 3

C



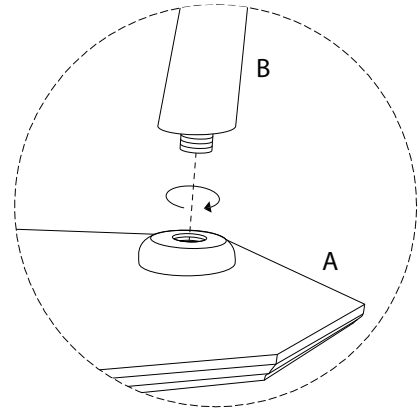
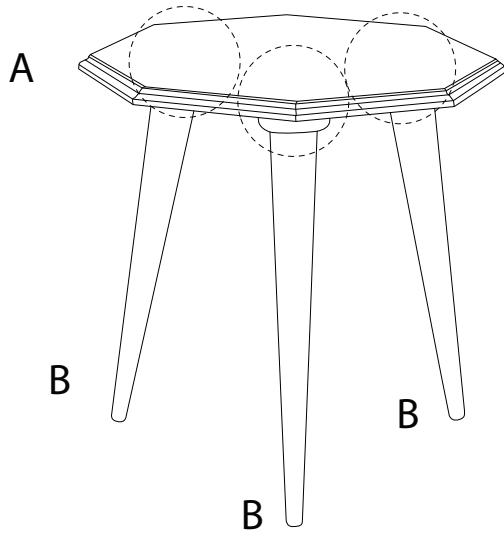
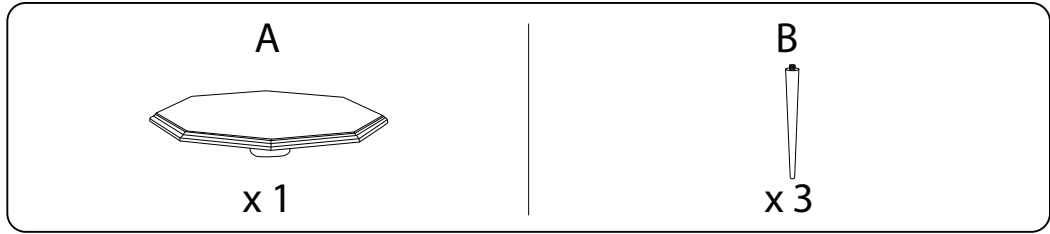
x 1

D



x 3

1



2

