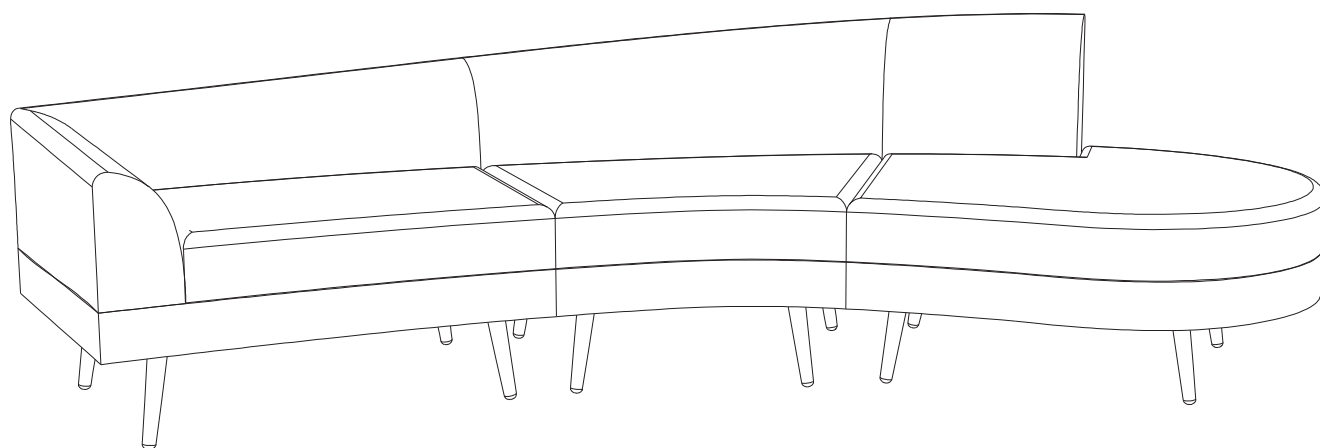
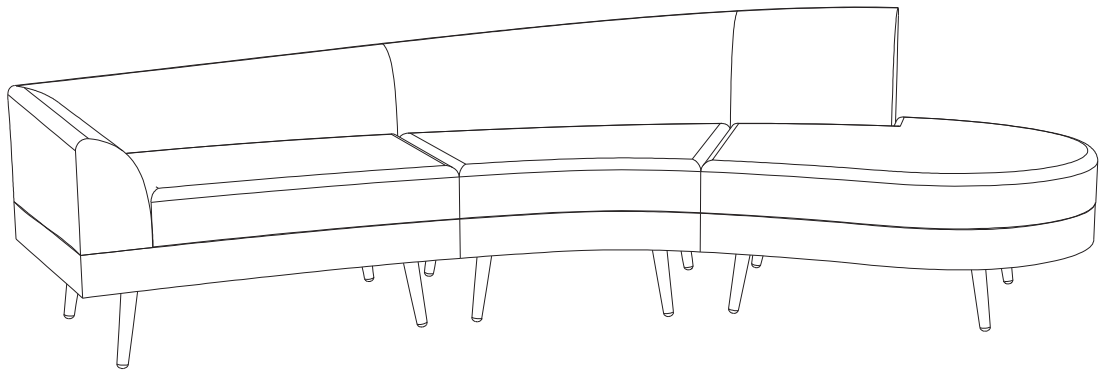
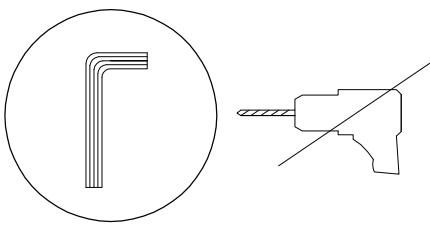

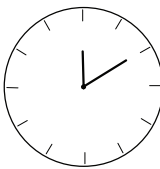
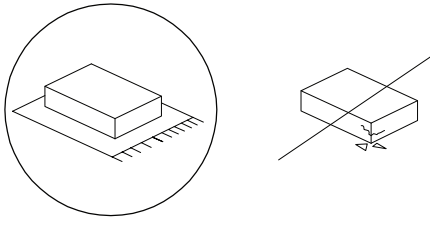

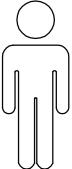


MOSS

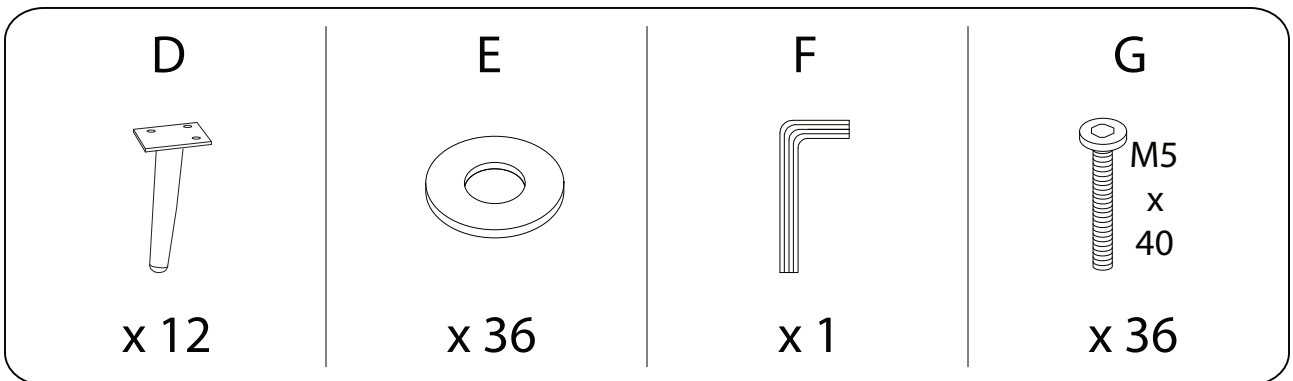
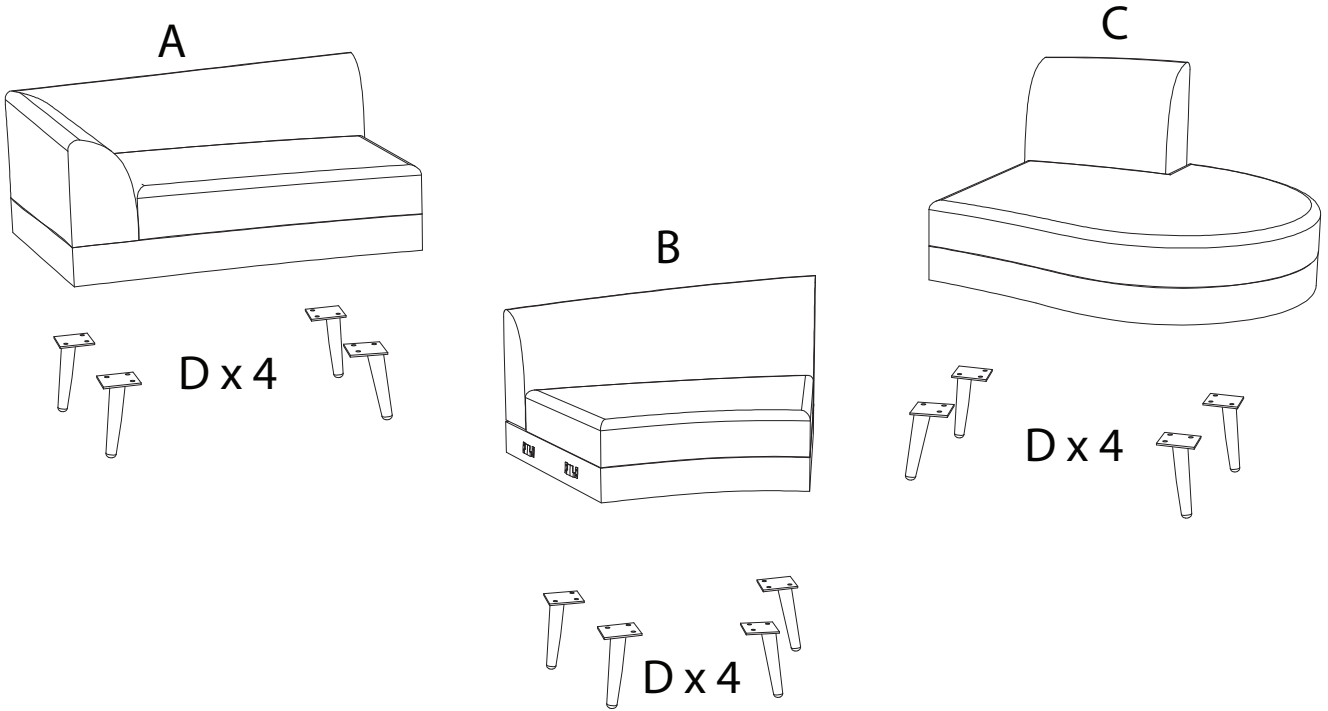
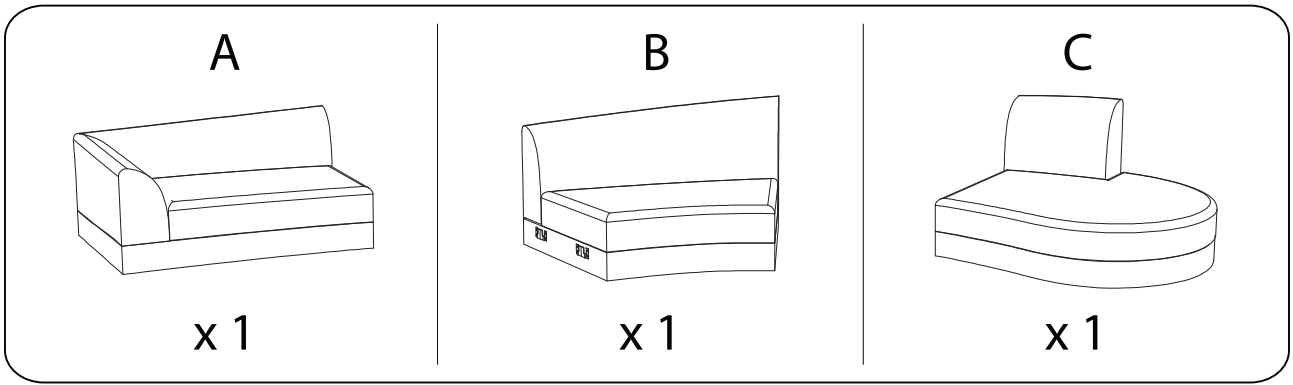




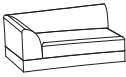
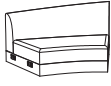




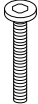
		
		

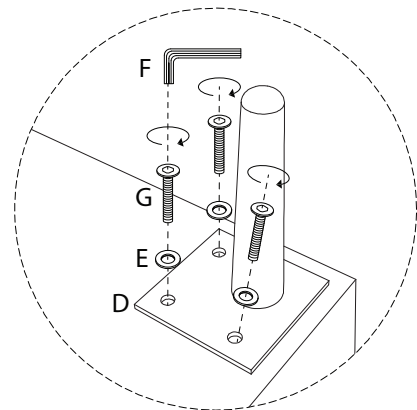
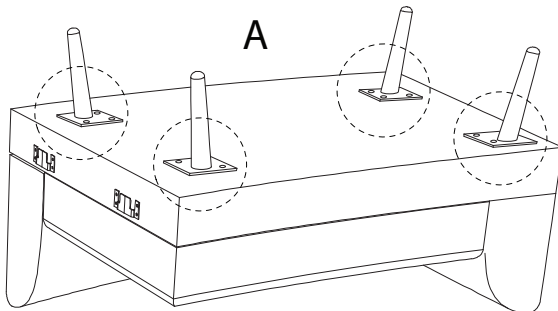
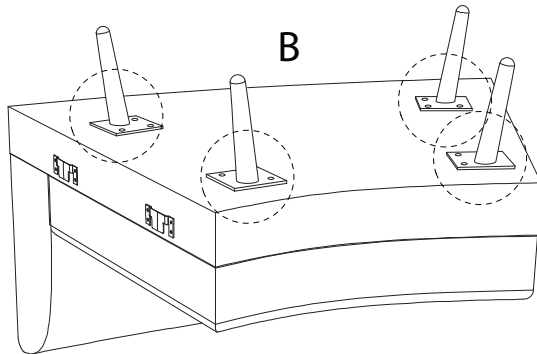
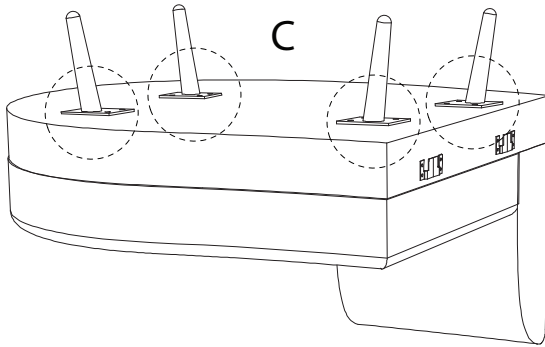
10'

2



1

A  x 1	B  x 1	C  x 1	D  x 12	E  x 36	F  x 1	G  M5 x 40 x 36
--	--	--	---	---	--	---



2

