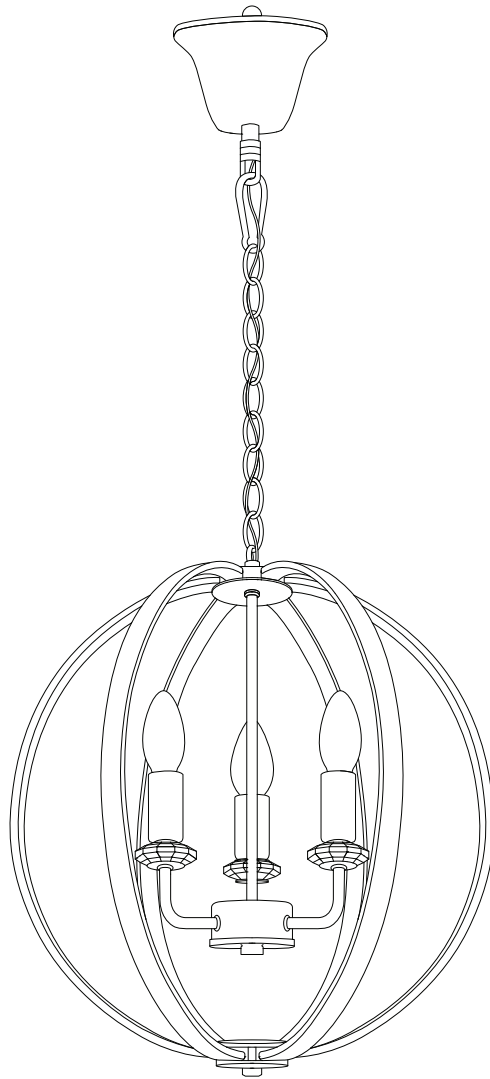
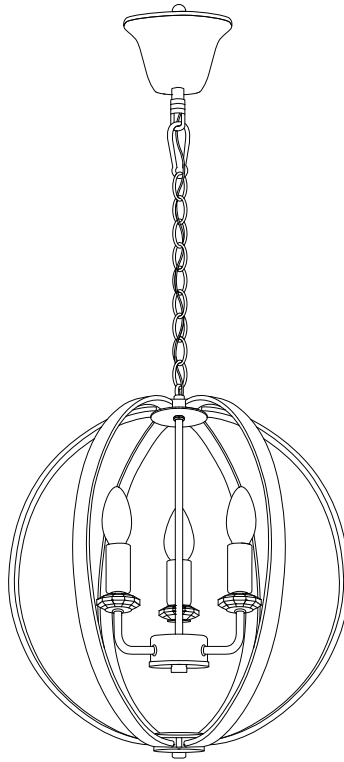
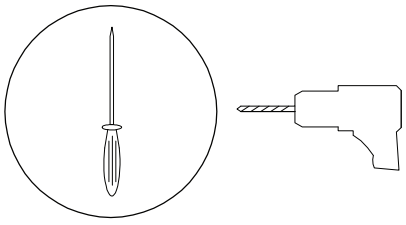


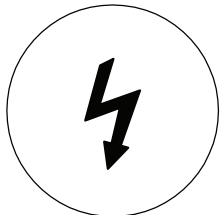
TENORIO





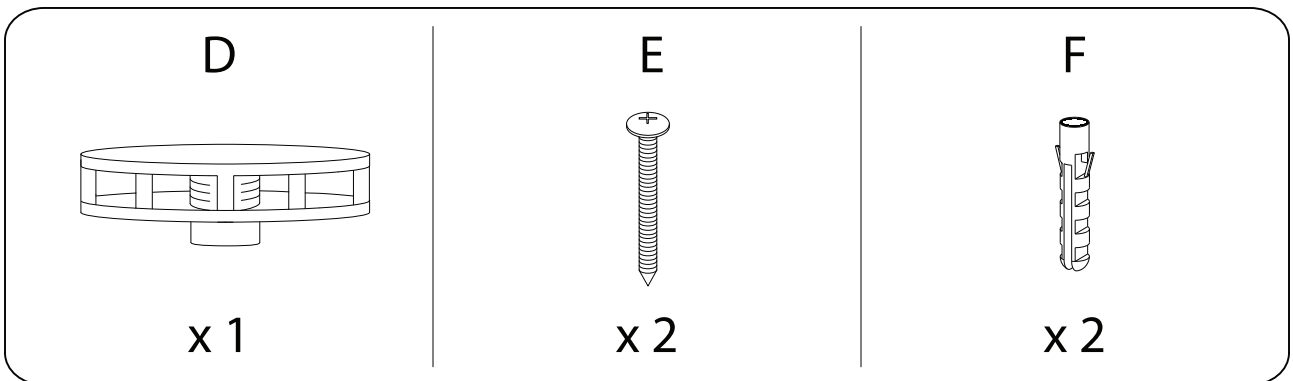
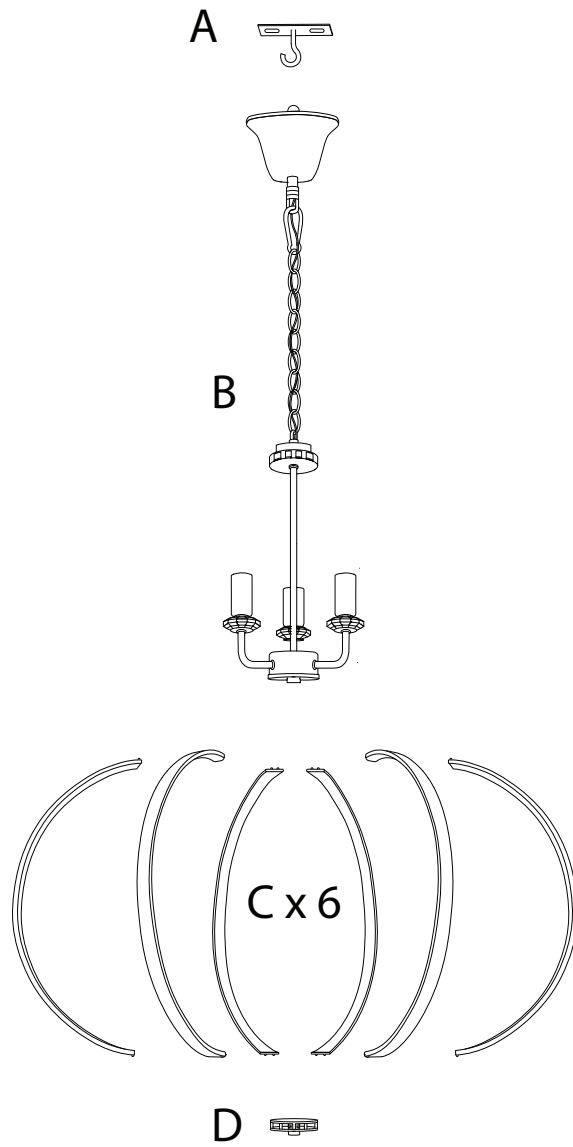
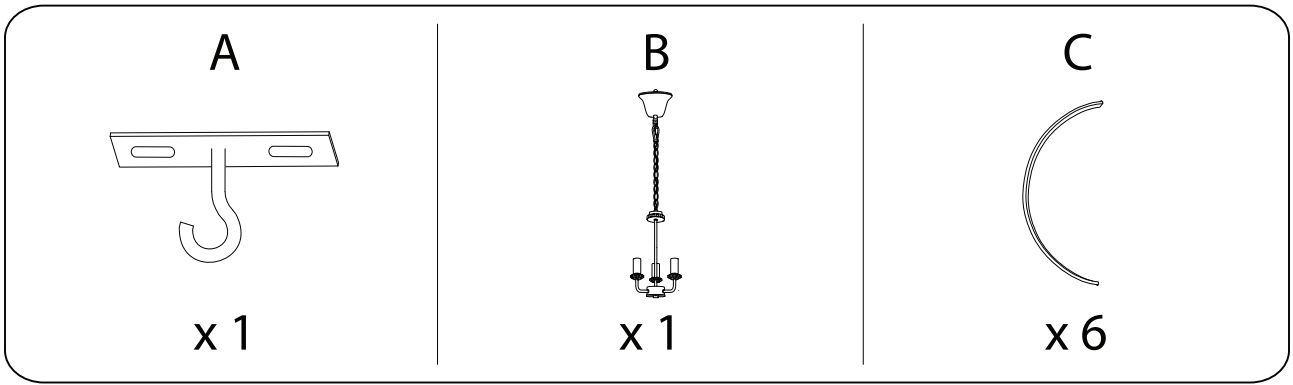
!  !

20'

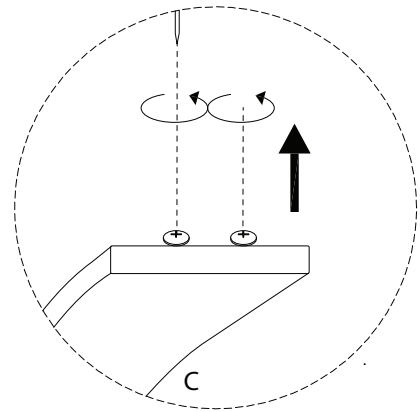
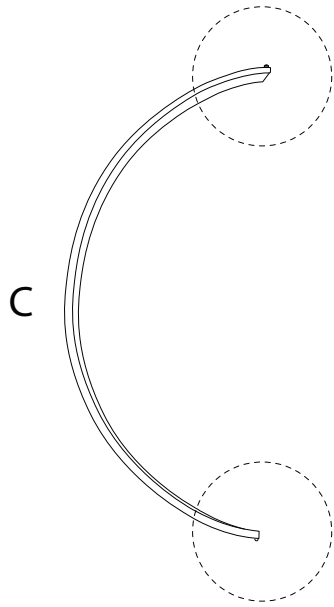
!  !

1

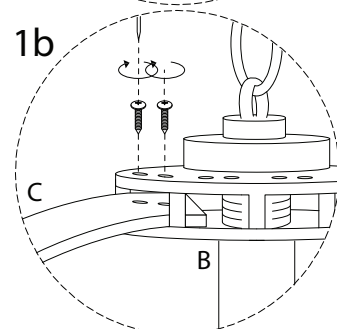
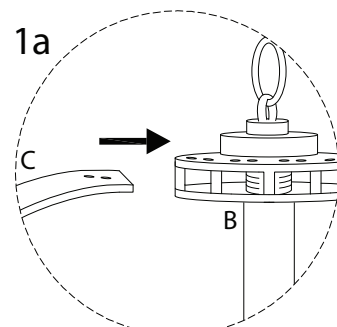
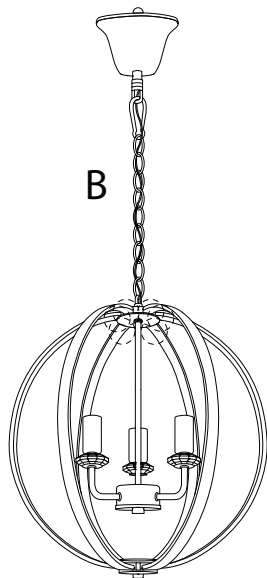
This section contains two warning boxes. The top box shows a screwdriver and a power drill, indicating that these tools are required for installation. The bottom box shows a lightning bolt symbol, indicating that the installation involves electrical work. To the right of the top box is a clock icon with the number '20'', indicating an estimated installation time of 20 minutes. To the right of the bottom box is a person icon with the number '1', indicating that one person is required for the installation.



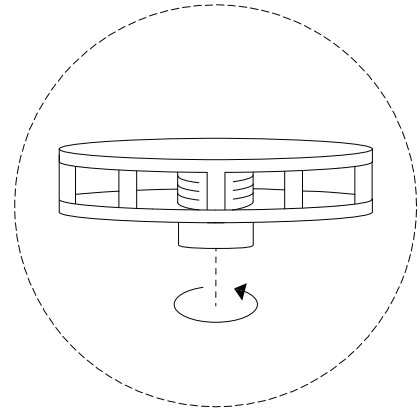
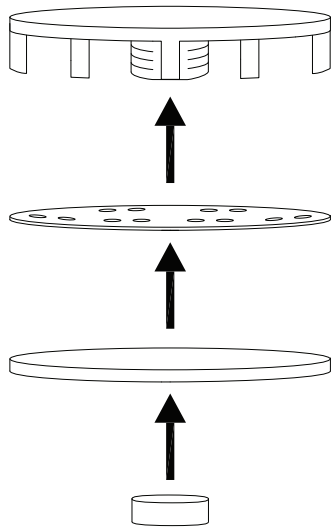
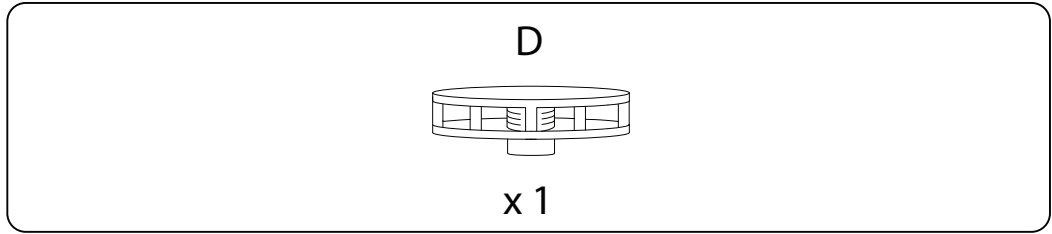
1 x 6



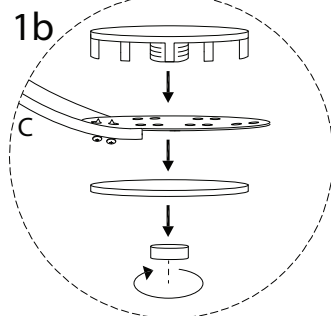
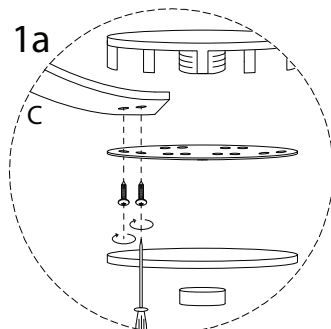
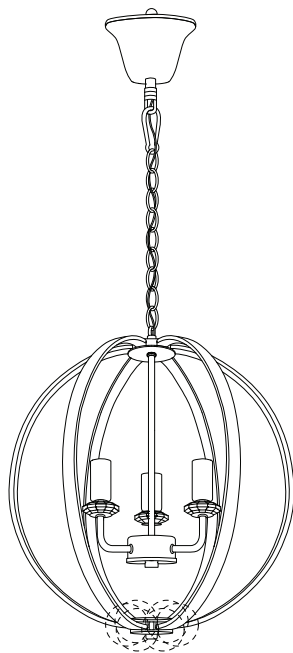
2



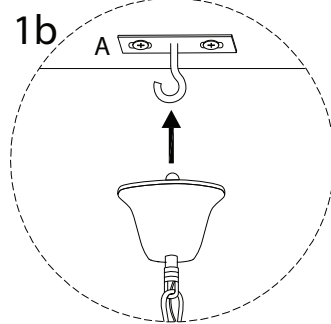
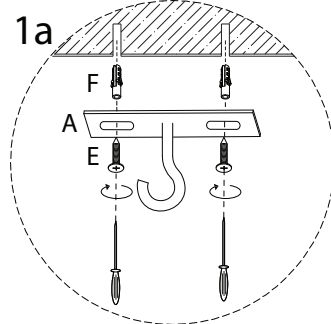
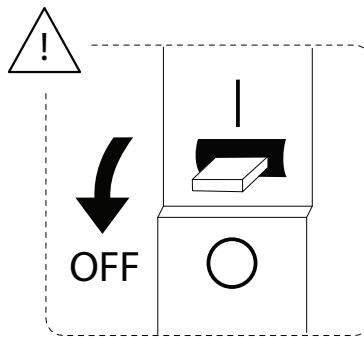
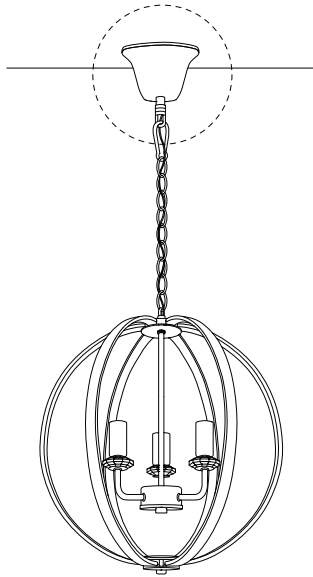
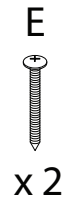
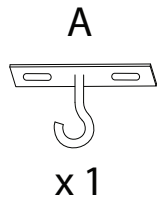
3



4



5



6

