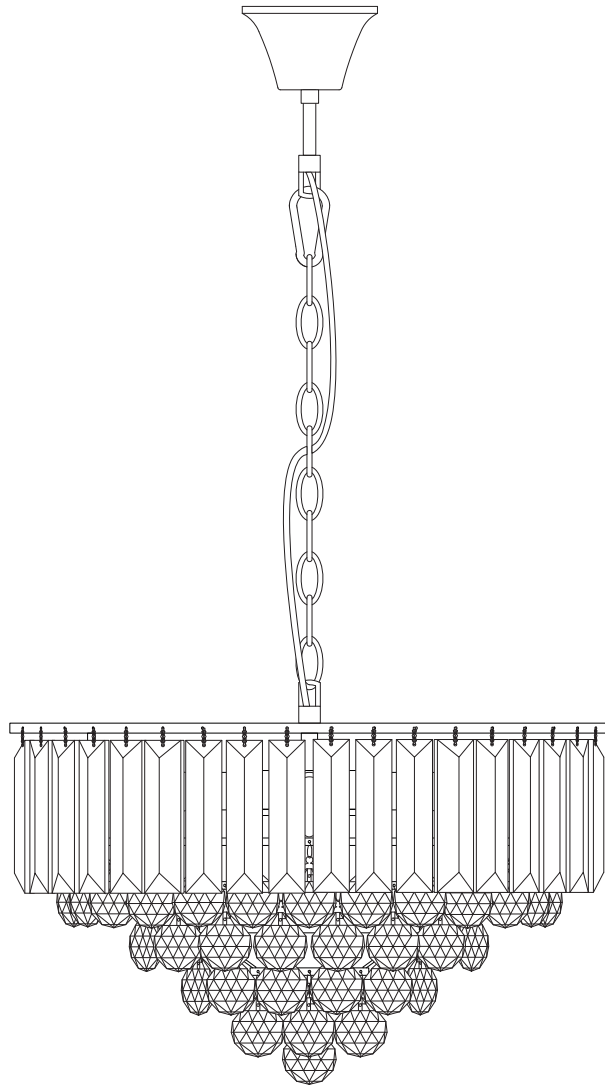
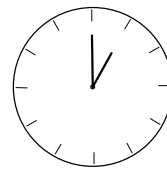
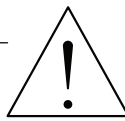
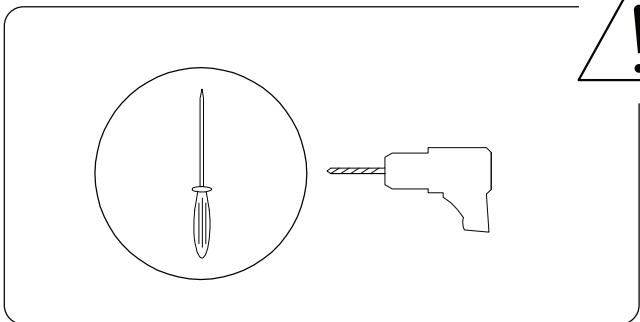
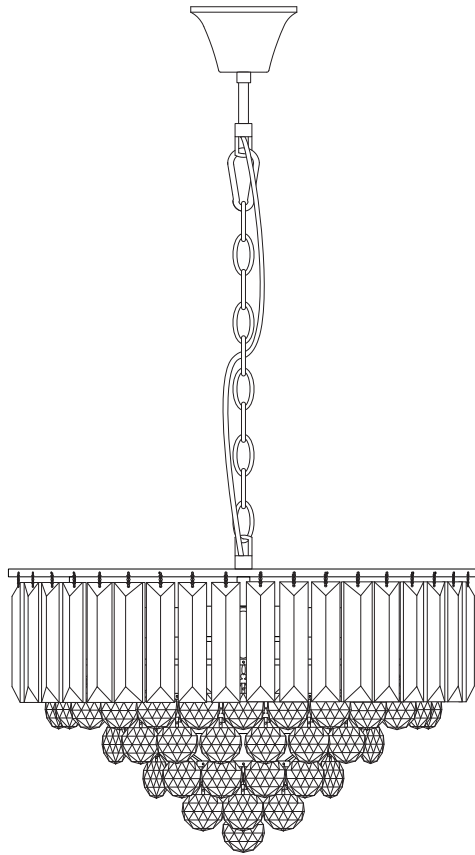
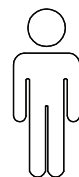
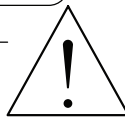
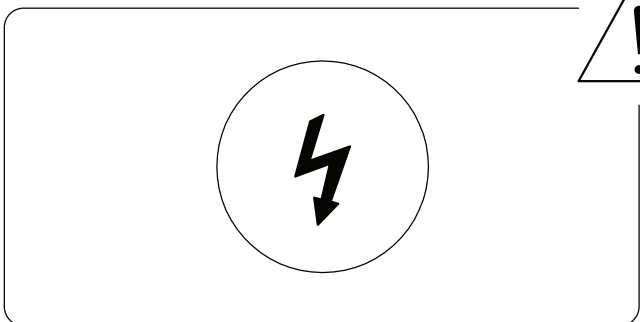


ACHEIRO

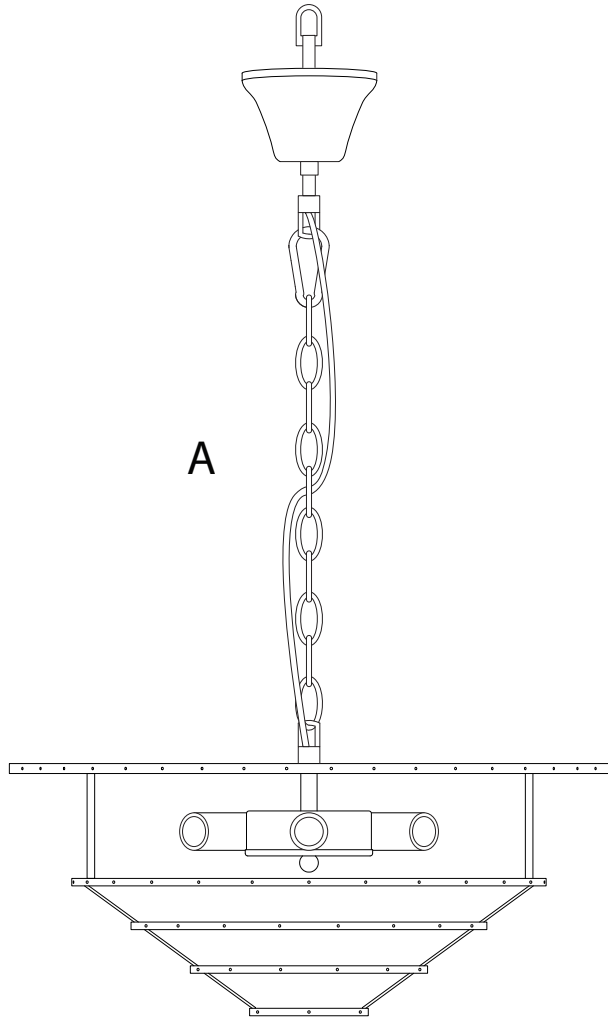




60'



1



D x 44

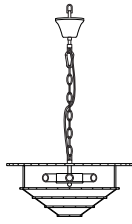


B



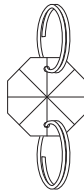
C x 65

A



x 1

B



x 1

C



x 65

D



x 44

E



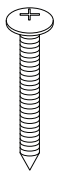
x 44

F



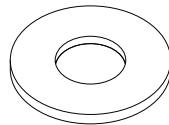
x 64

G



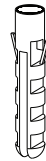
x 2

H



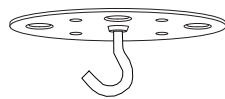
x 2

I



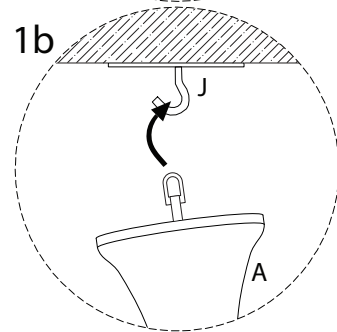
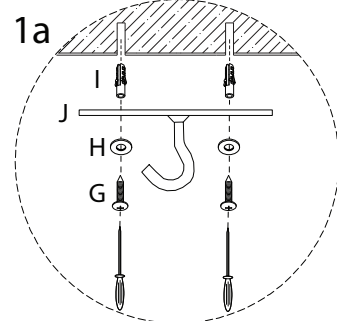
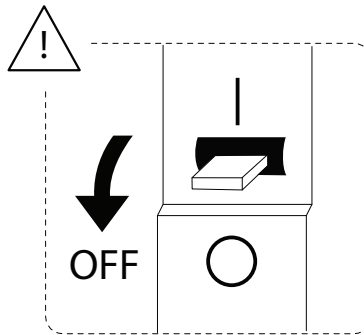
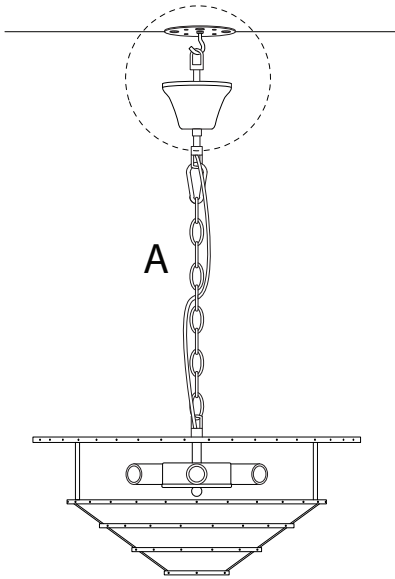
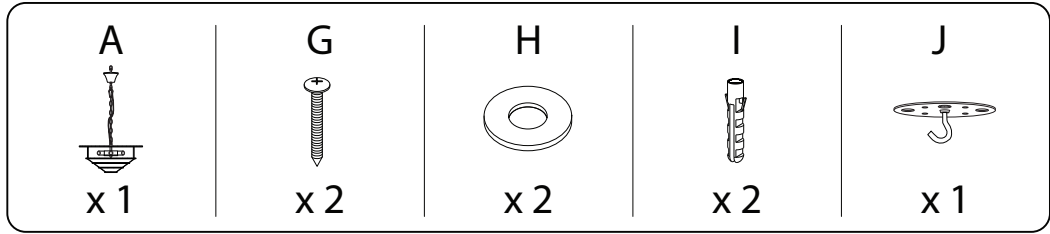
x 2

J

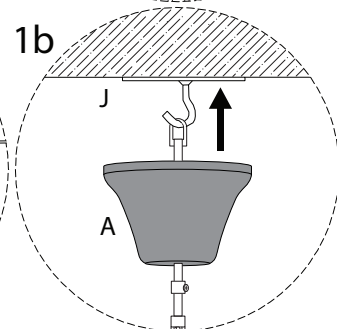
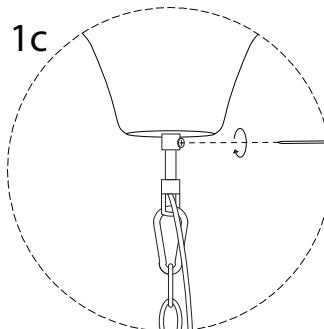
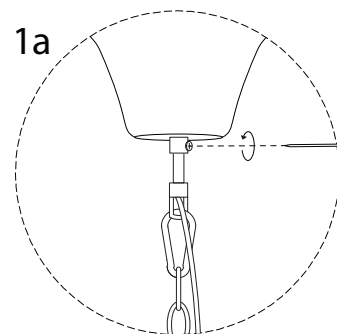
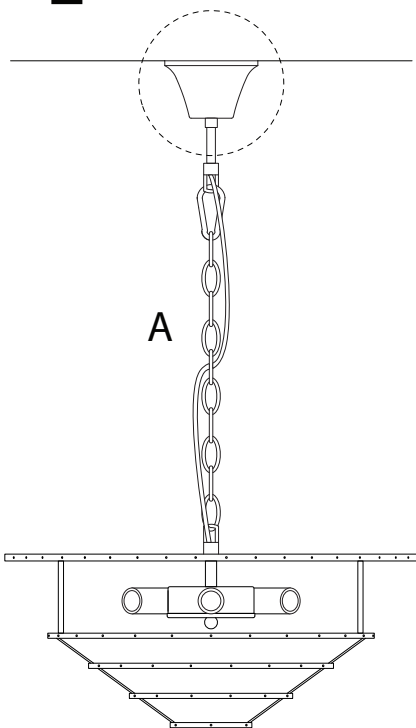


x 1

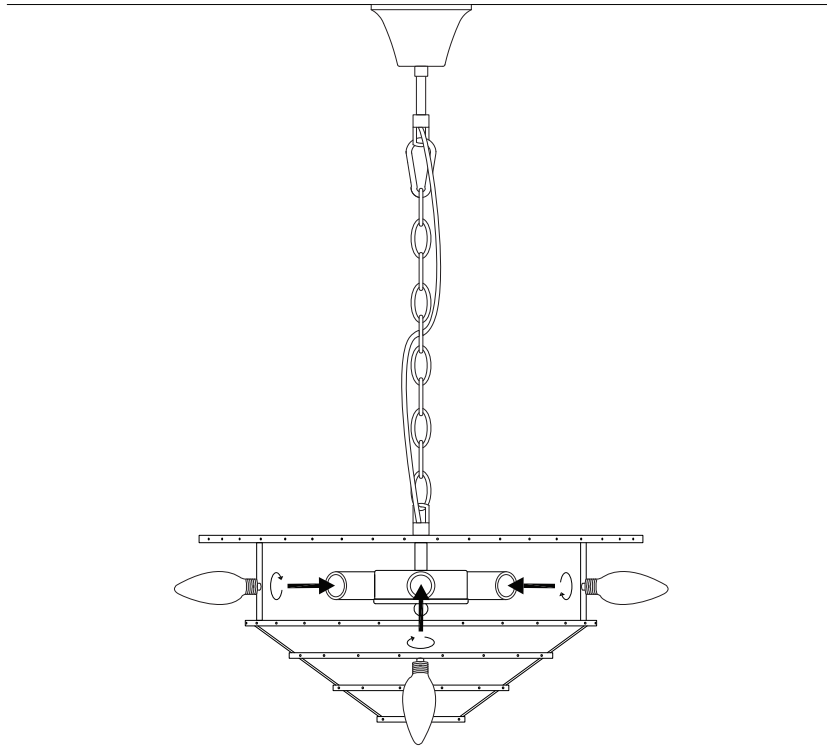
1



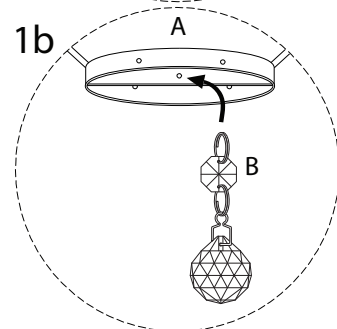
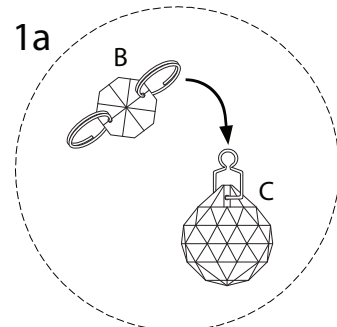
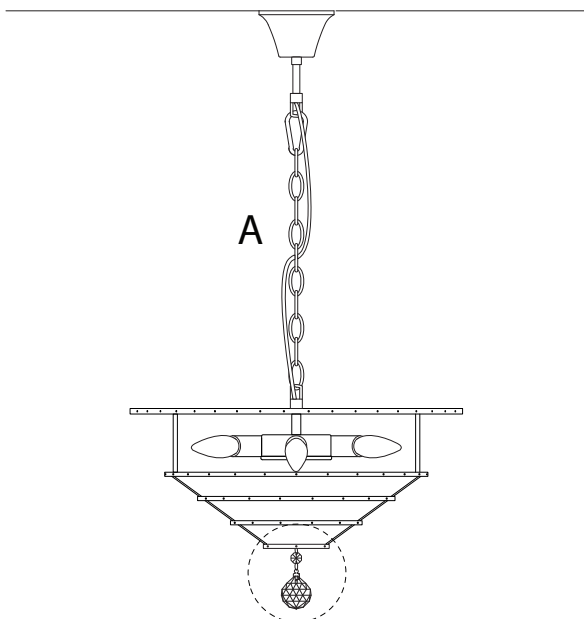
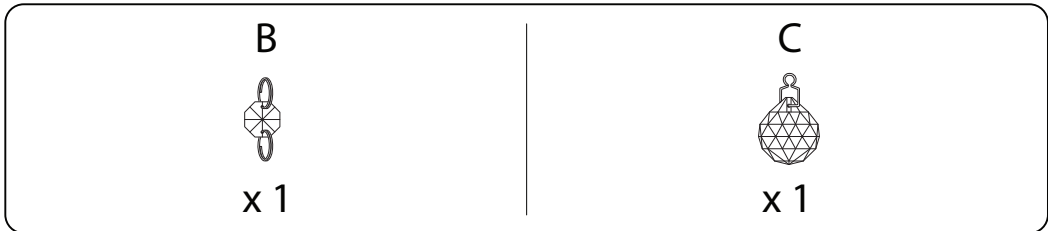
2



3



4



5

C

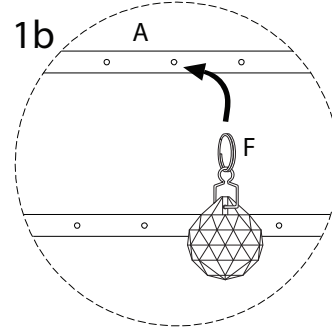
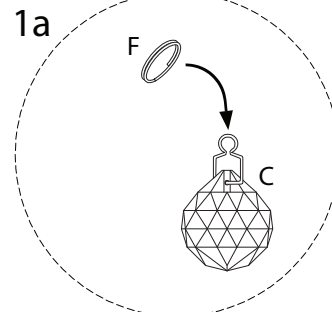
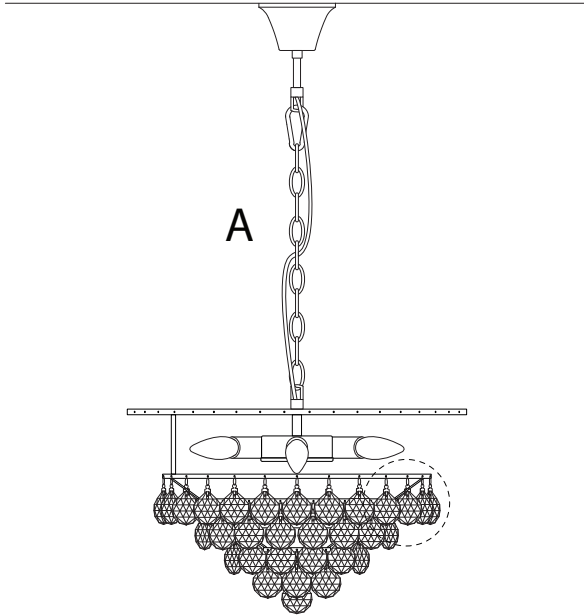


x 64

F



x 64



6

D



x 44

E



x 44

