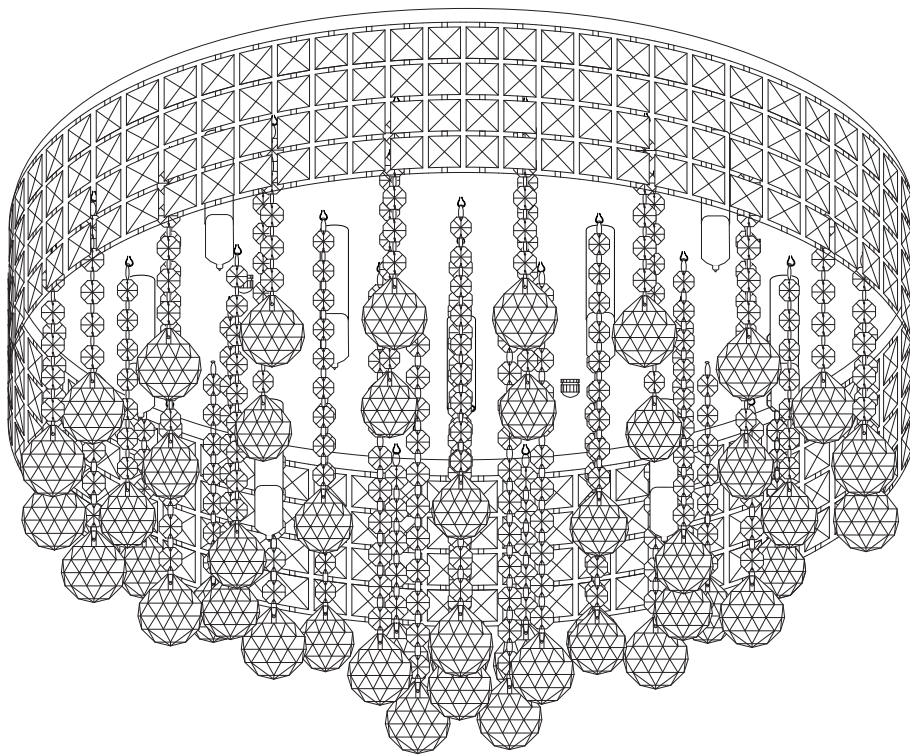
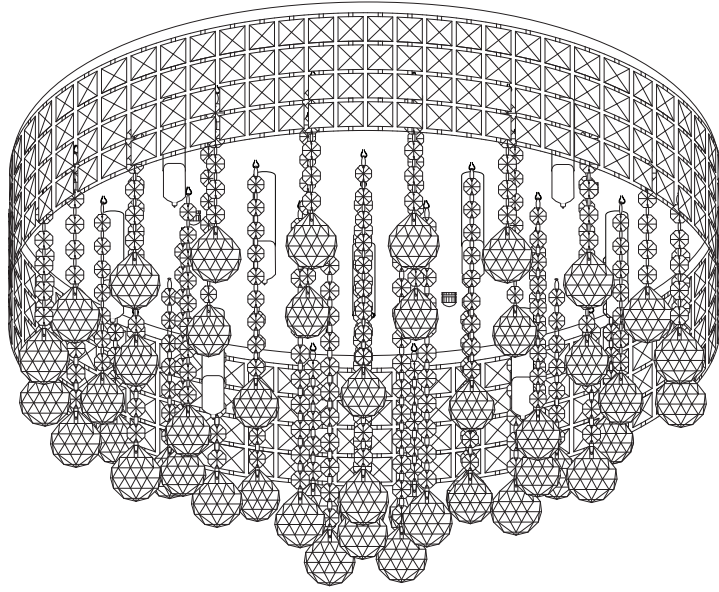
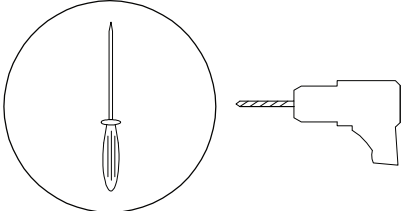

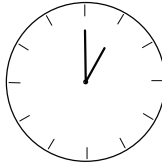
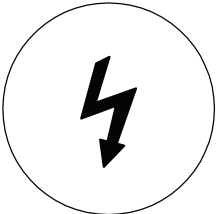


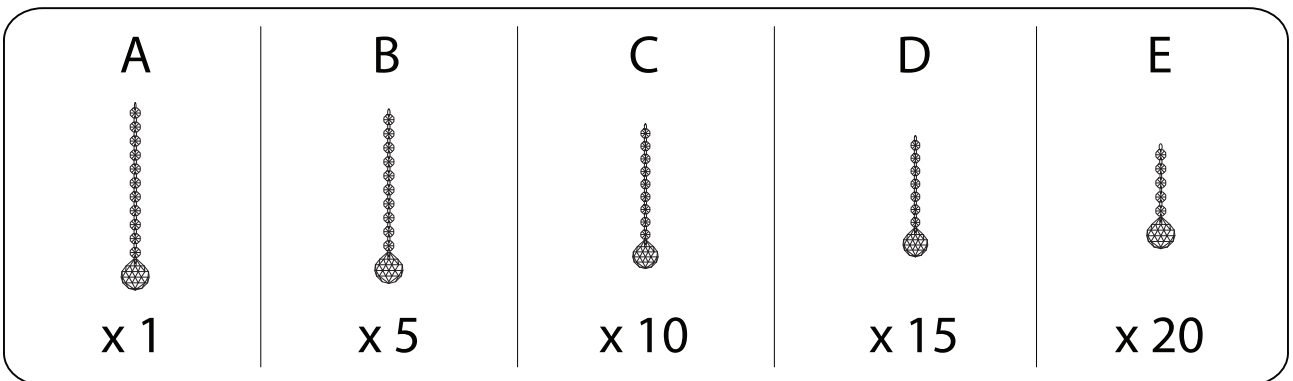
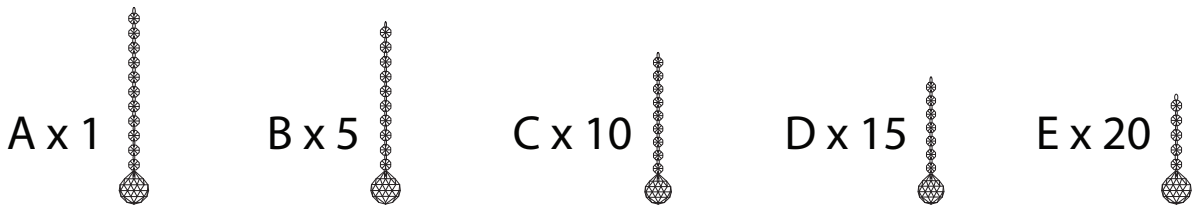
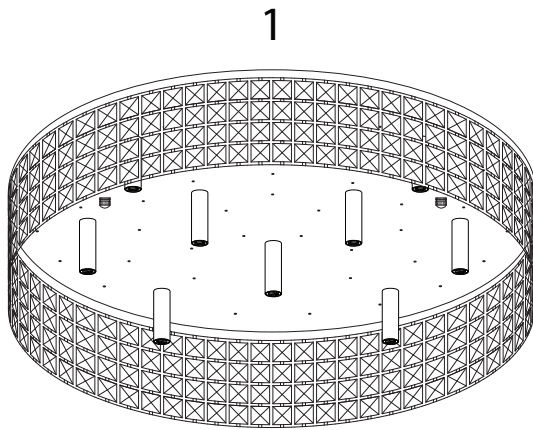
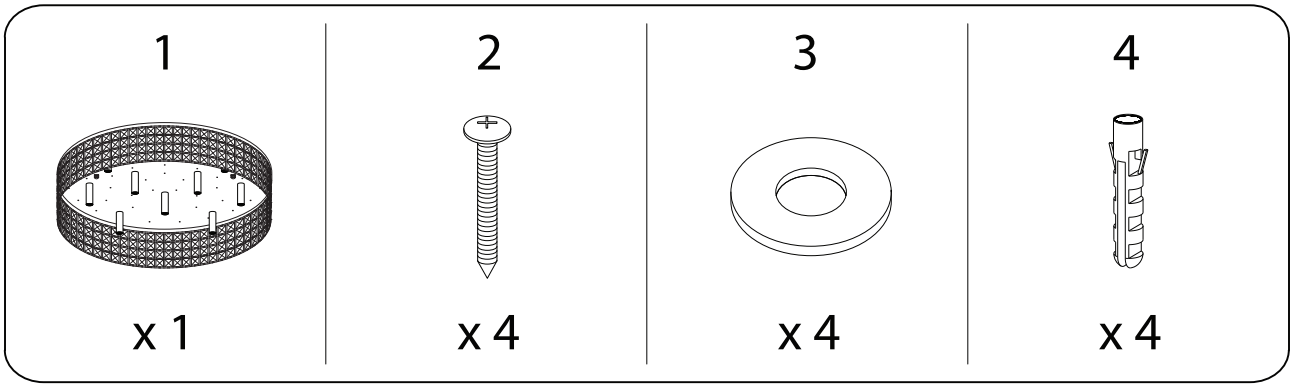


CEDEIRA

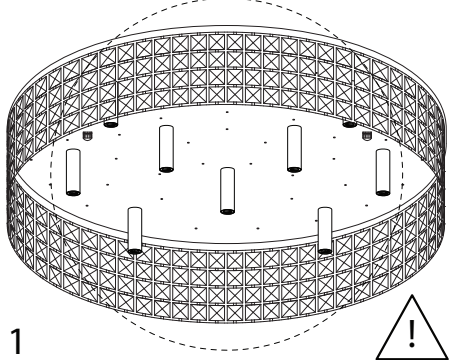
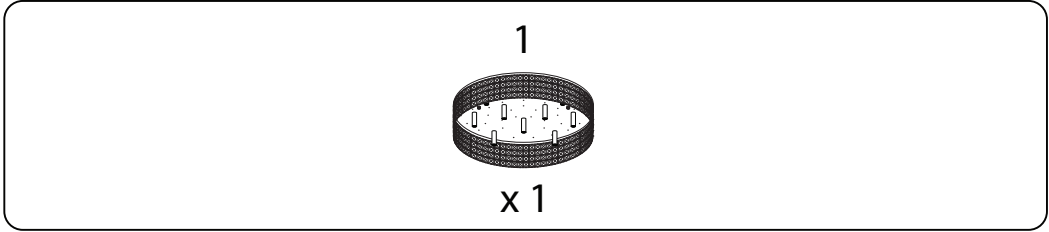




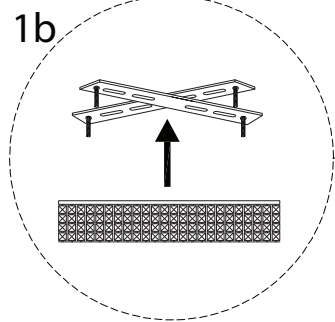
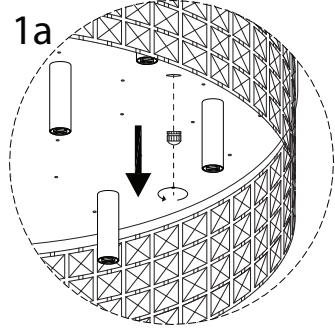
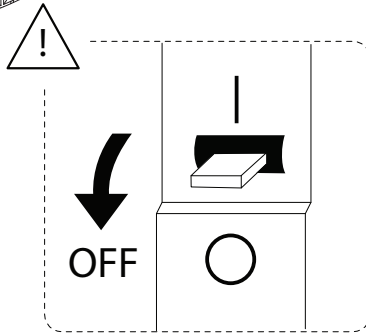
		
		60'
		
		1



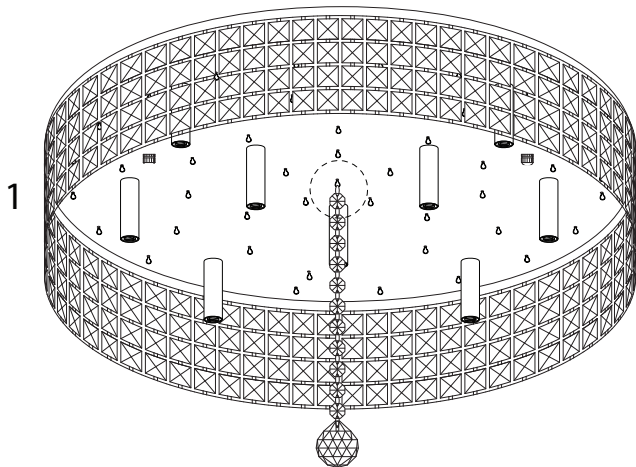
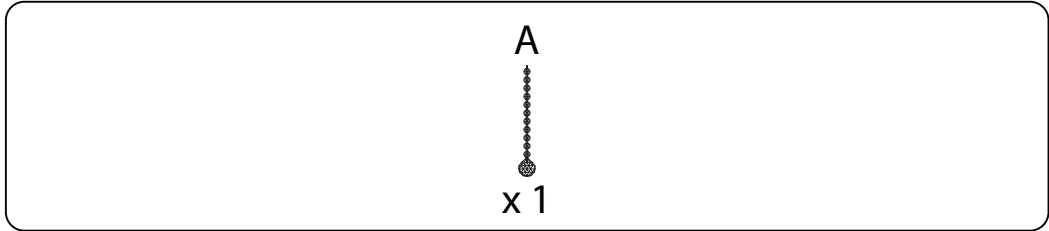
1



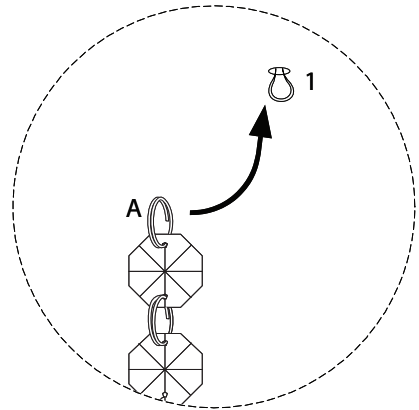
1



2

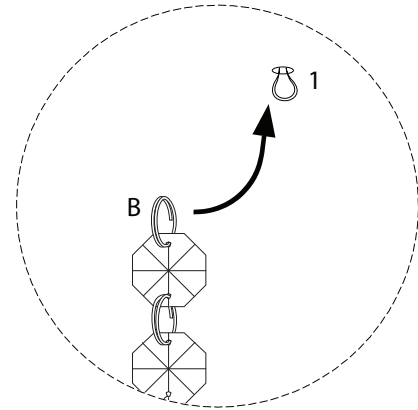
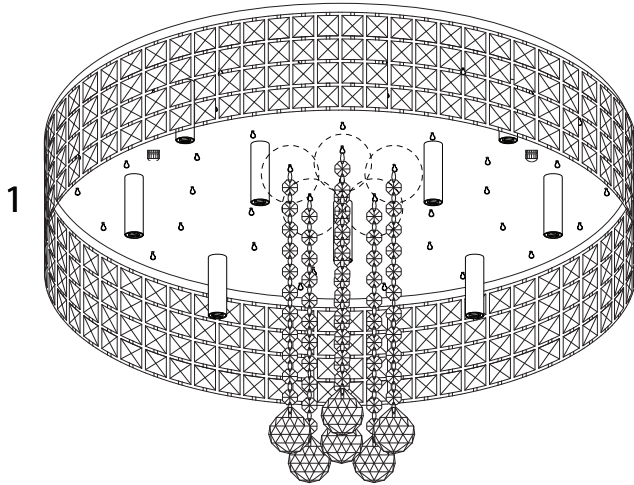


1



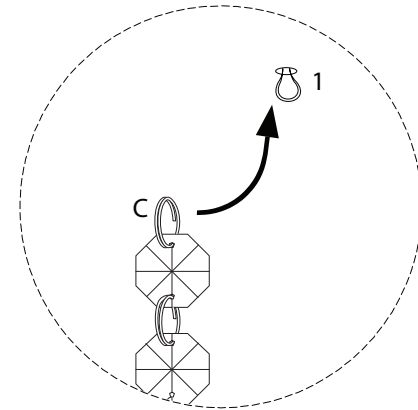
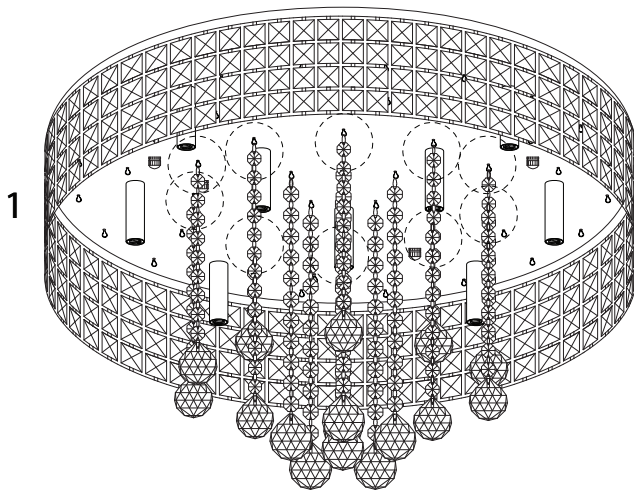
3

B
x 5



4

C
x 10

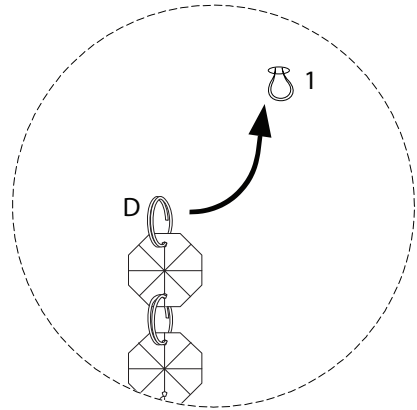
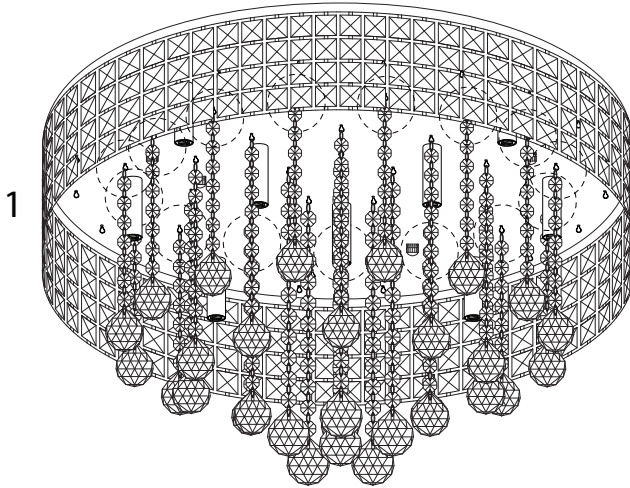


5

D



x 15

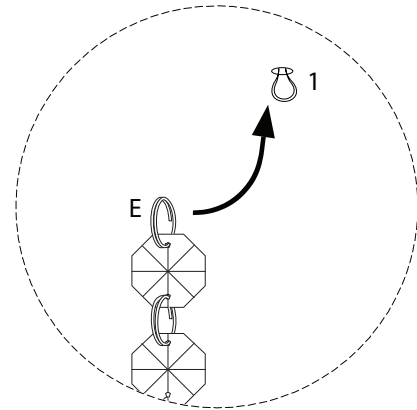
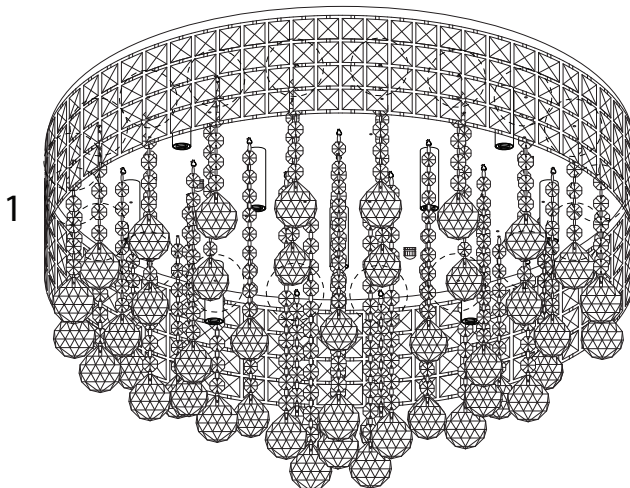


6

E



x 20



7

2



x 4

3



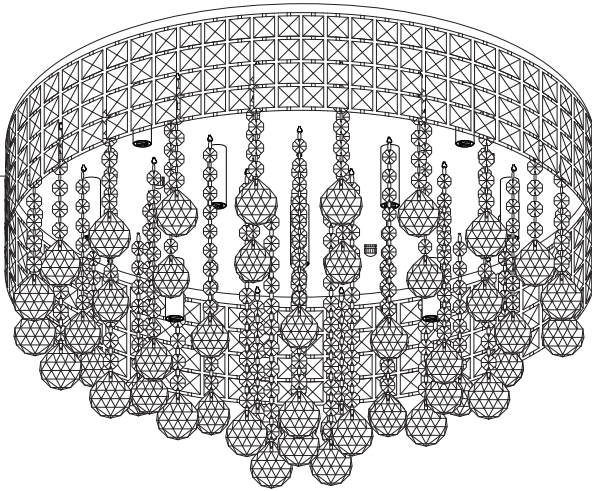
x 4

4

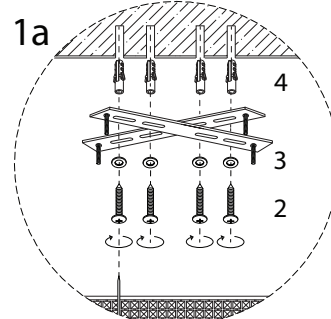


x 4

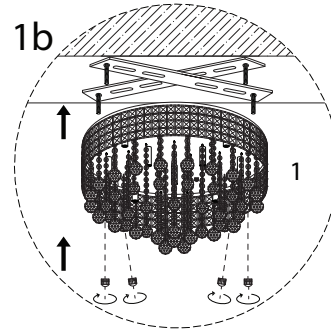
1



1a



1b



8

