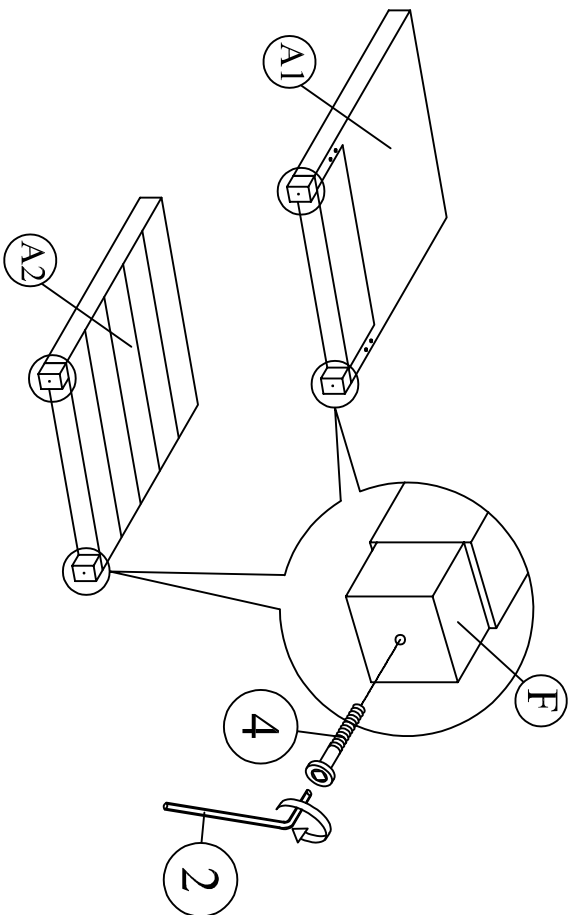
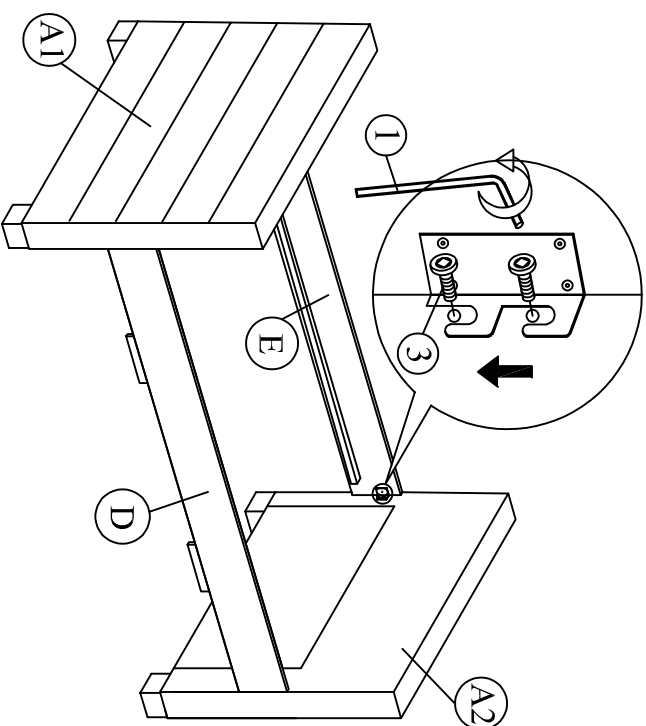


A	A1 Arm A2	2 pcs
B	927mm Slat 14 Pcs	1 pc
C	Back Panel	1 pc
D	Front Side Rail (PU)	1 pc
E	Back Side Rail	1 pc
F	Legs Wooden Leg 50 x 50 x 300(10)	4 pcs
G	Trundle Front Panel (PU)	2 pcs
H	Trundle Back Panel	2 pcs
I	Trundle Side Panel	4 pcs
J	Bottom Panel	2 pcs
K	Bottom Panel Big Support	4 pcs
L	Bottom Panel Small Support	2 pcs
Packing Hardware (1)		
1	M5 x 70 mm	1 pc
2	M4 x 100 mm	1 pc
3	JCBB M8 X 20	8 pcs
4	JCBE M6 X 50	8 pcs
5	SPRING WASHER	4 pcs
6	FLAT WASHER	4 pcs
7	CSK M4 x 16 mm	32 pcs
8	CSK M4 x 32 mm	52 pcs
9	CSK M4 x 50 mm	16 pcs
10	Roller	8 pcs
11	Power Nails	32 pcs

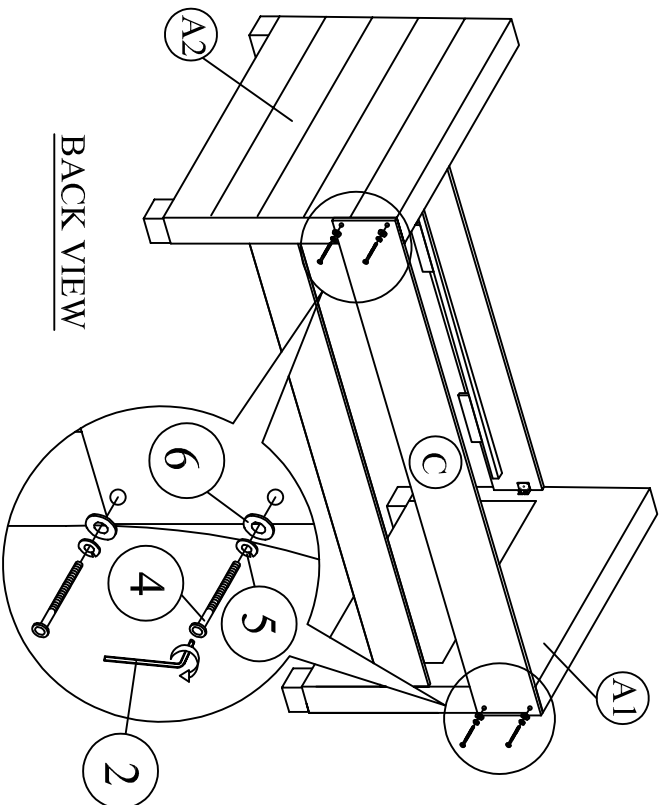
Step 1 : Tighten the legs (F) to both arm (A) as shown.



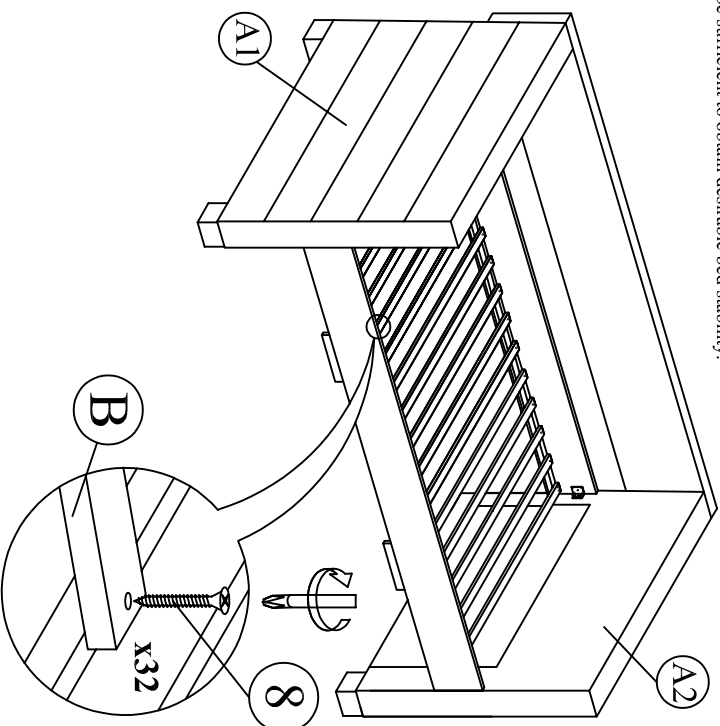
Step 2 : Attach side rail (D) & (E) to arm (A) by pushing the bracket down to fit it.



Step 3 : Attach the Back Panel (C) to the arm (A1+A2) as shown.



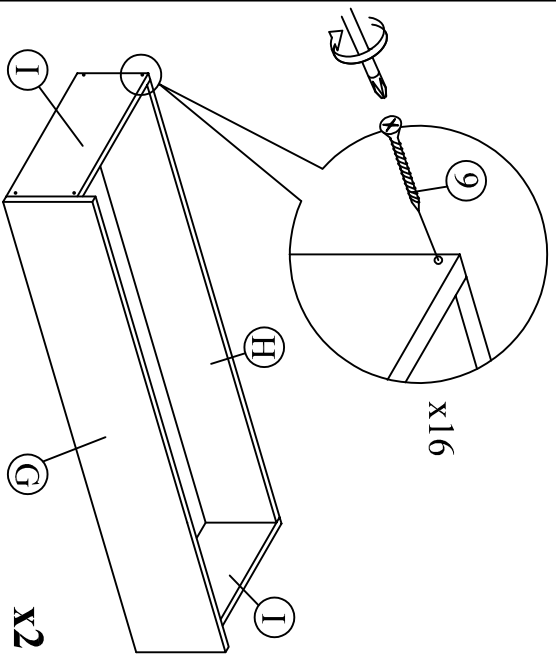
Step 4 : Install the slats to side rail. Tighten the slats with CSK screw (8). The distance of the slats should be sufficient to obtain desirable bed stability.



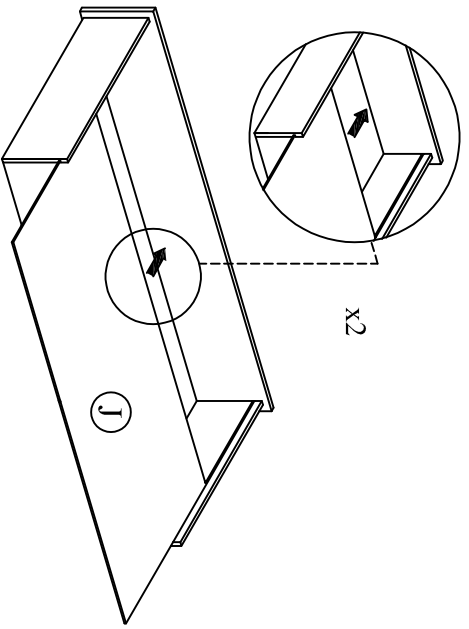
BACK VIEW

x32

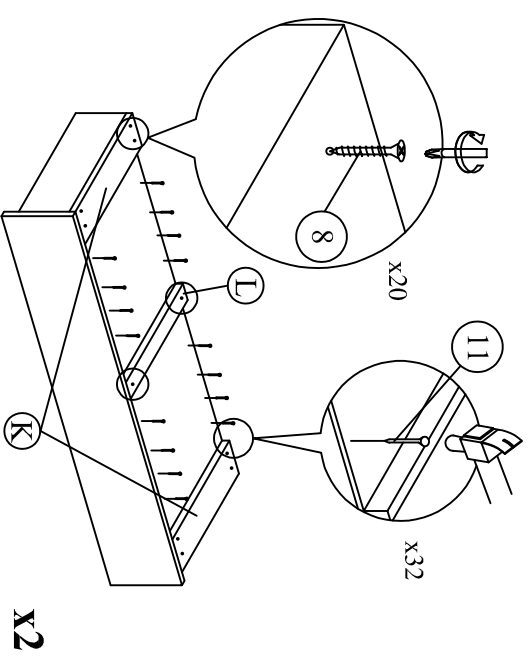
Step 5 : Tighten the side panel (I) to the front panel (G) and back panel (H) with screws (9) using screw driver (not included).



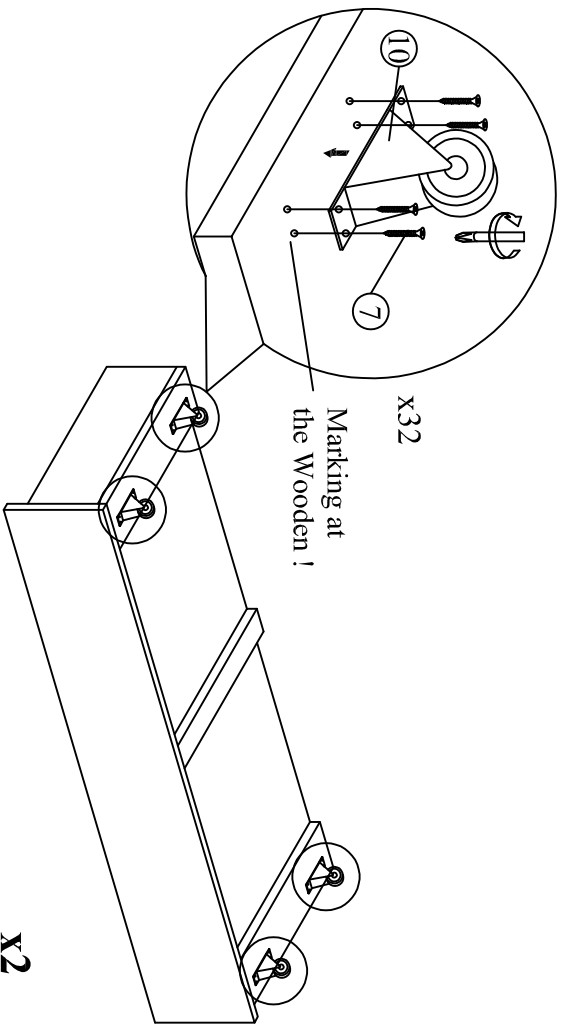
Step 6 : Slide the footboard bottom panel (J) to the set up drawer.



Step 7 : Tighten the bottom panel support (K & L) with screws (8) using screw driver (not included). Attach the bottom panel with Nail (11) using the hammer (not included).



Step 8 : Tighten the roller (10) with screws (7) using screw driver (not included).



Step 9 : Assembly is complete.

