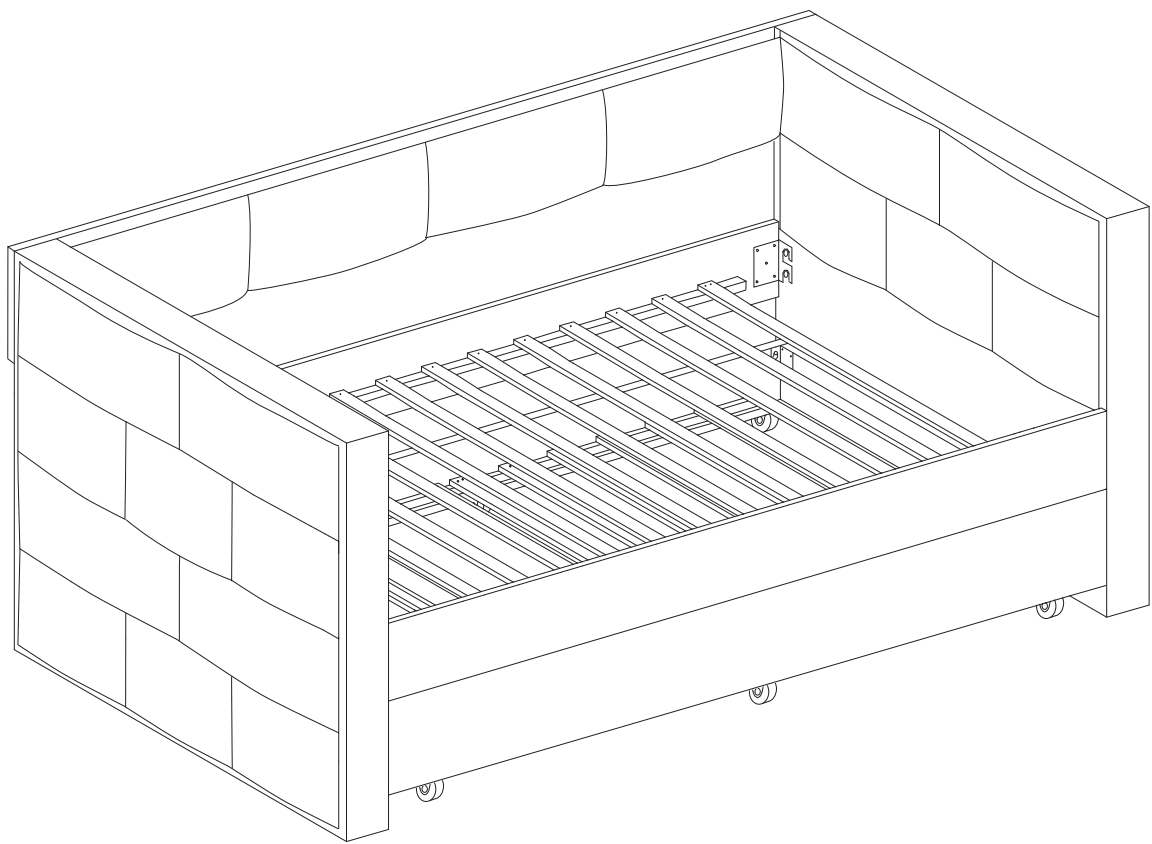
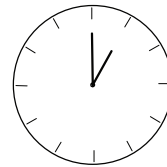
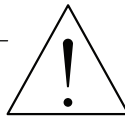
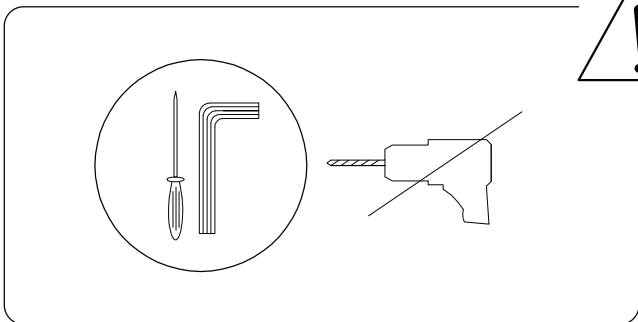
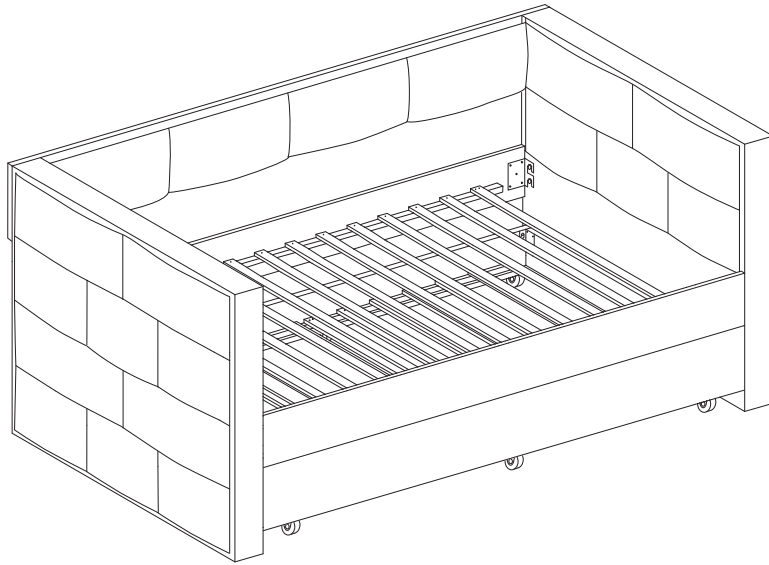
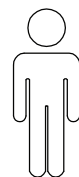
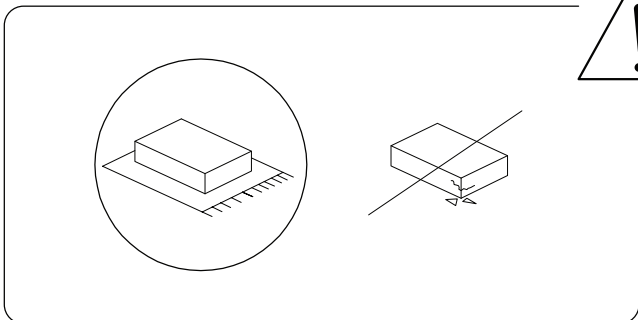


# CHAVONNE

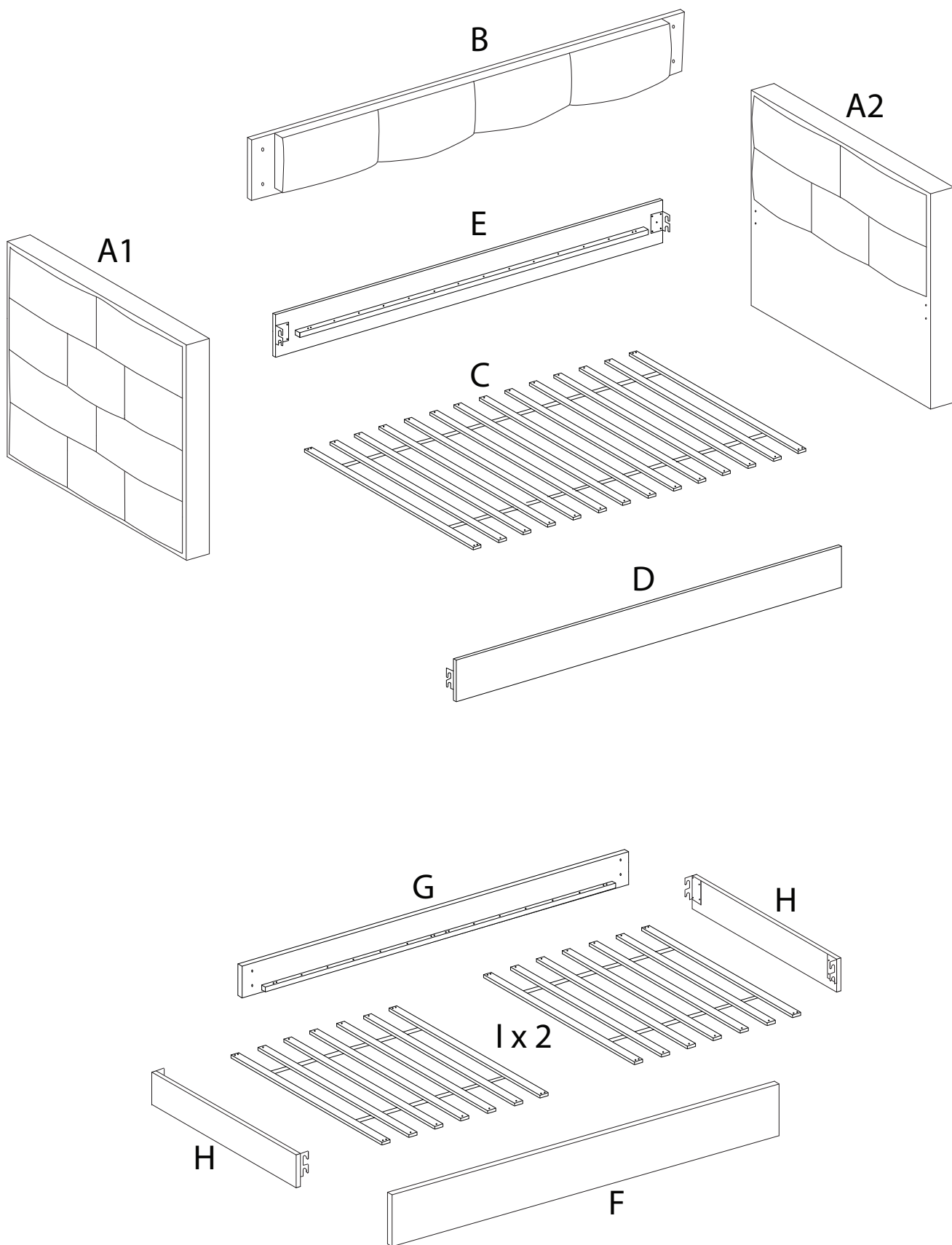




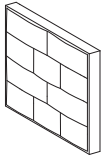
60'



2

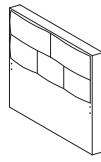


A1



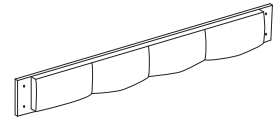
x 1

A2



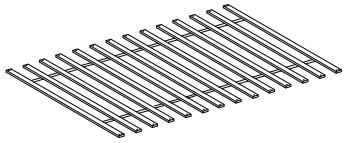
x 1

B



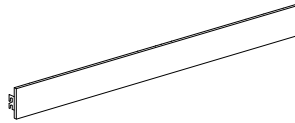
x 1

C



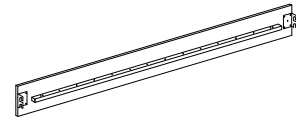
x 1

D



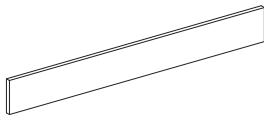
x 1

E



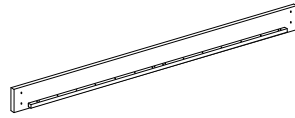
x 1

F



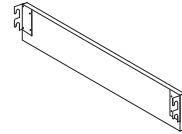
x 1

G



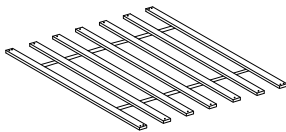
x 1

H



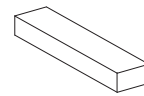
x 2

I



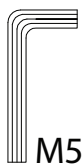
x 2

J



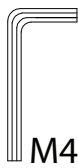
x 4

1



x 1

2



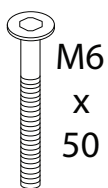
x 1

3



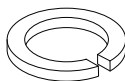
x 70

4



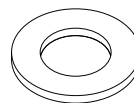
x 4

5



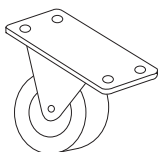
x 4

6



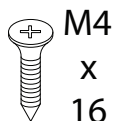
x 4

7



x 6

8



x 24

9



x 16

1

A1



x 1

A2



x 1

1

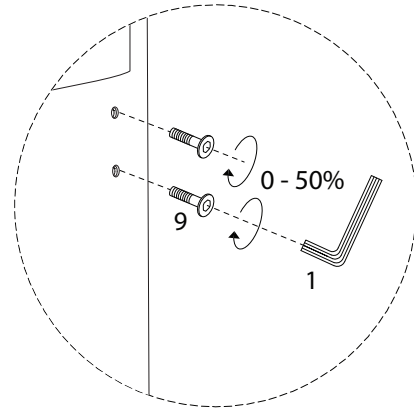
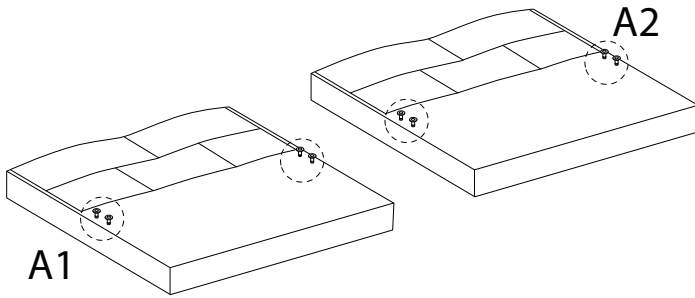


x 1

9



x 8



A1

A2

0-50%

9

1

2

D



x 1

E

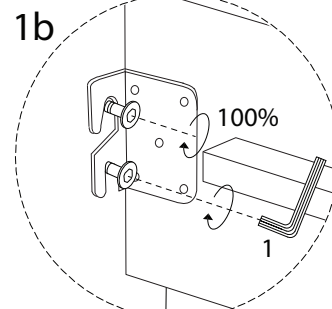
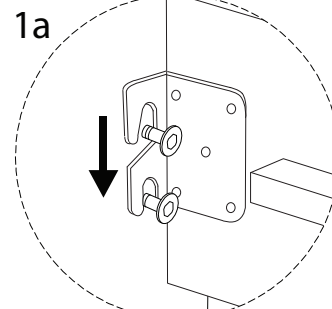
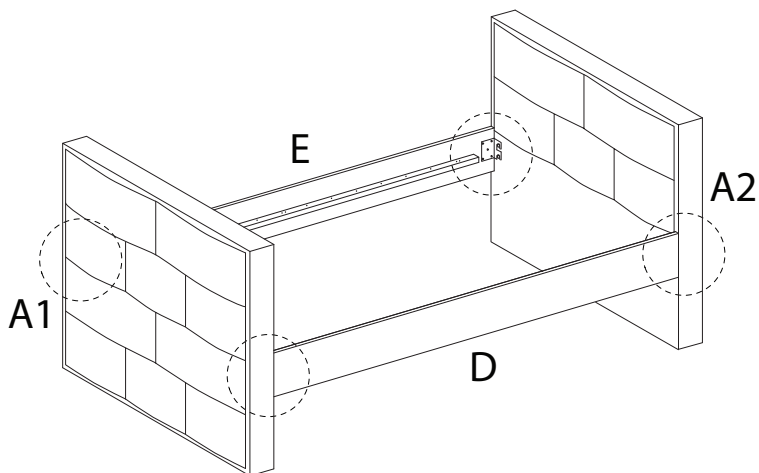


x 1

1



x 1



A1

E

A2

D

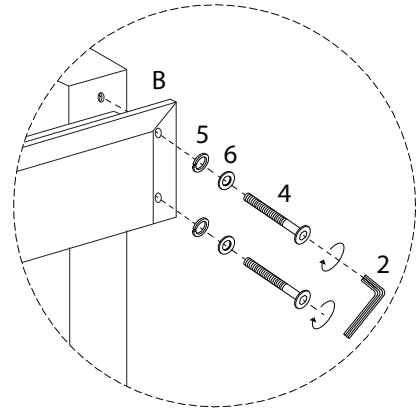
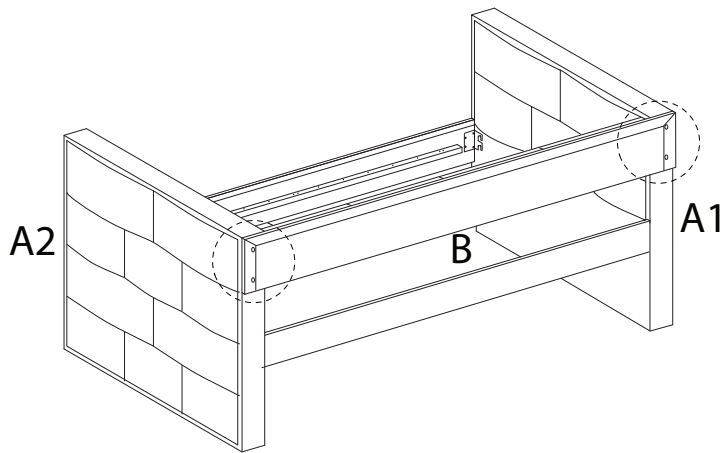
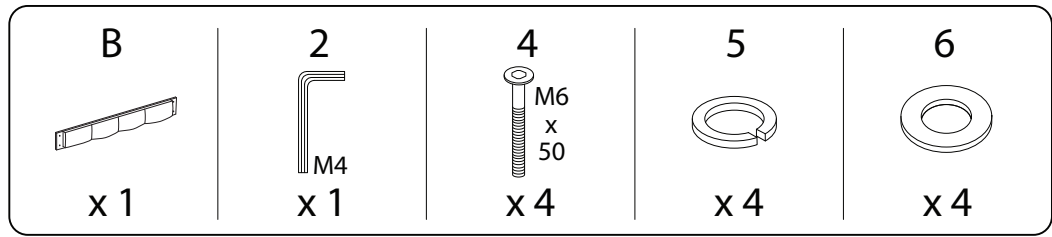
1a

1b

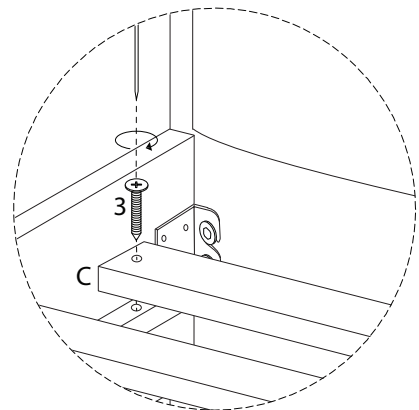
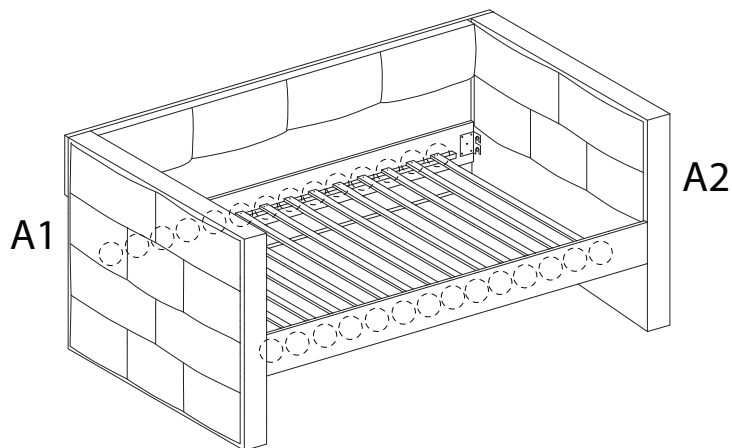
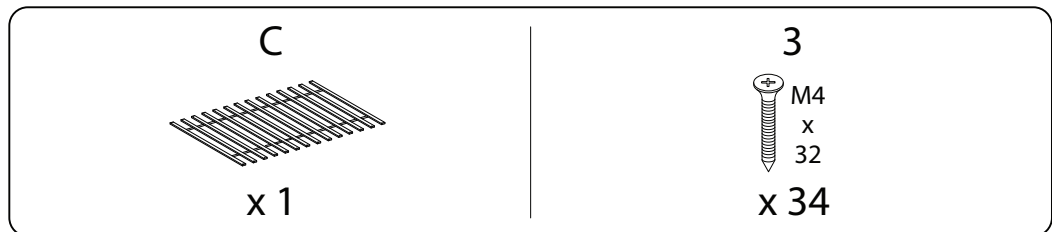
100%

1

3



4



5

F



x 1

G



x 1

1

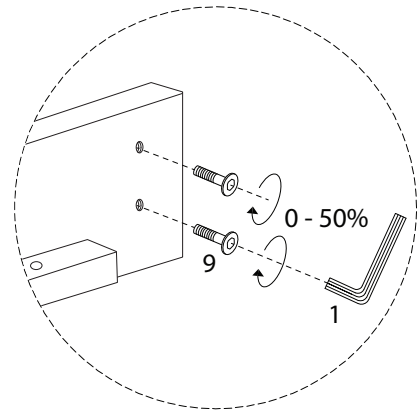
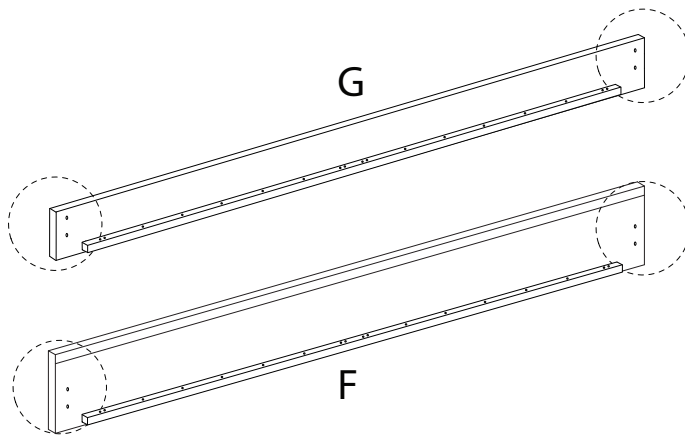


x 1

9

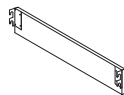


x 8



6

H

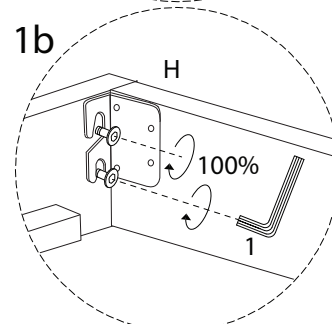
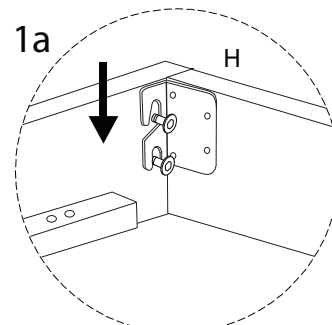
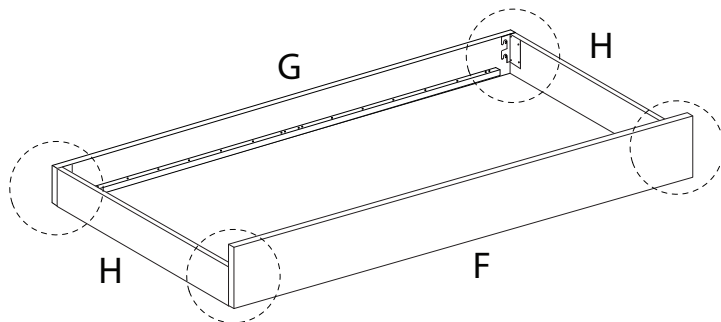


x 2

1


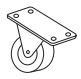



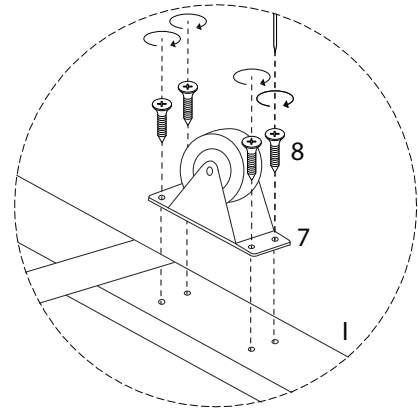
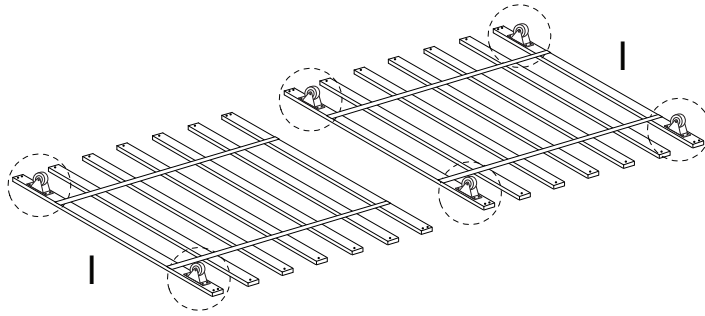
x 1



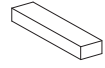
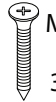


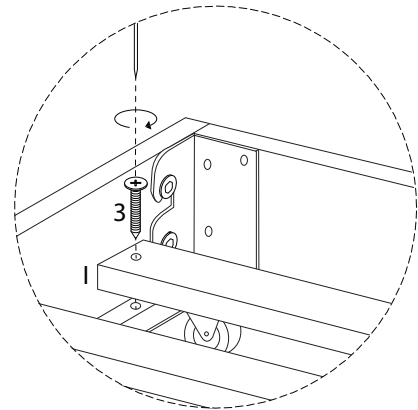
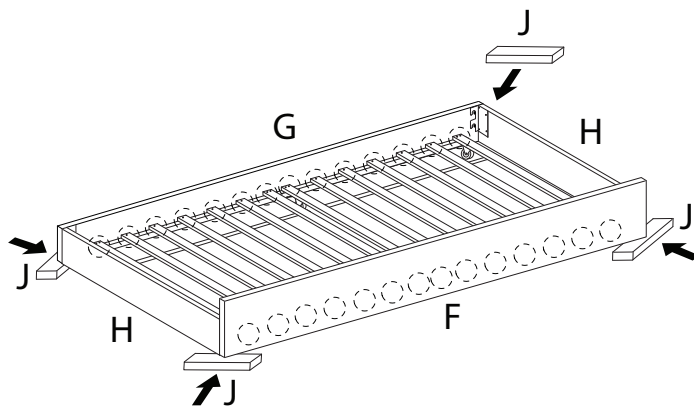
7

I  x 2	7  x 6	8  M4 x 16 x 24
---	---	--

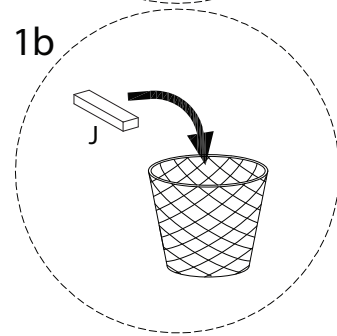
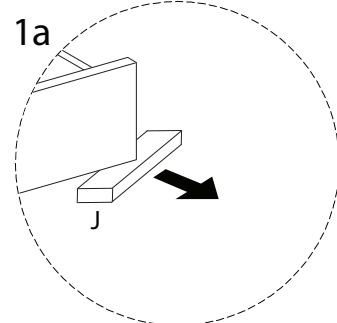
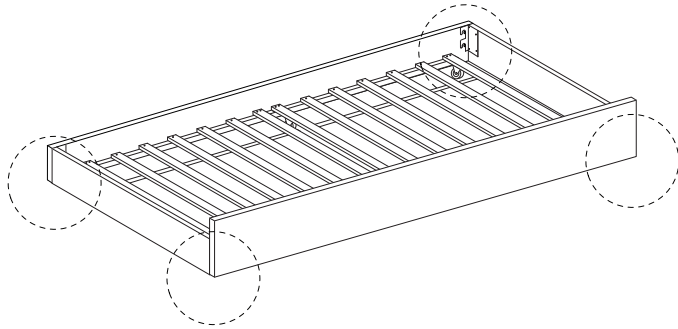


8

J  x 4	3  M4 x 32 x 36
---	--



9



10

