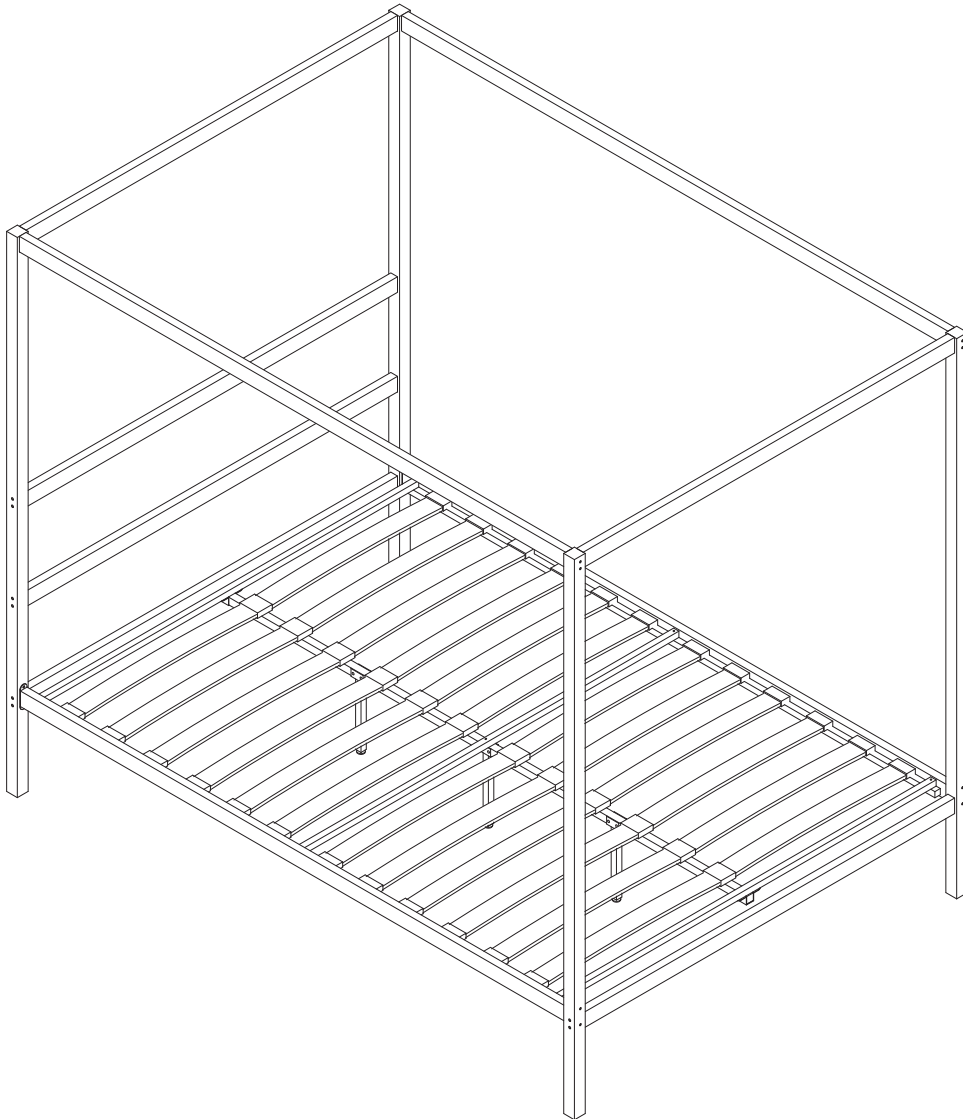
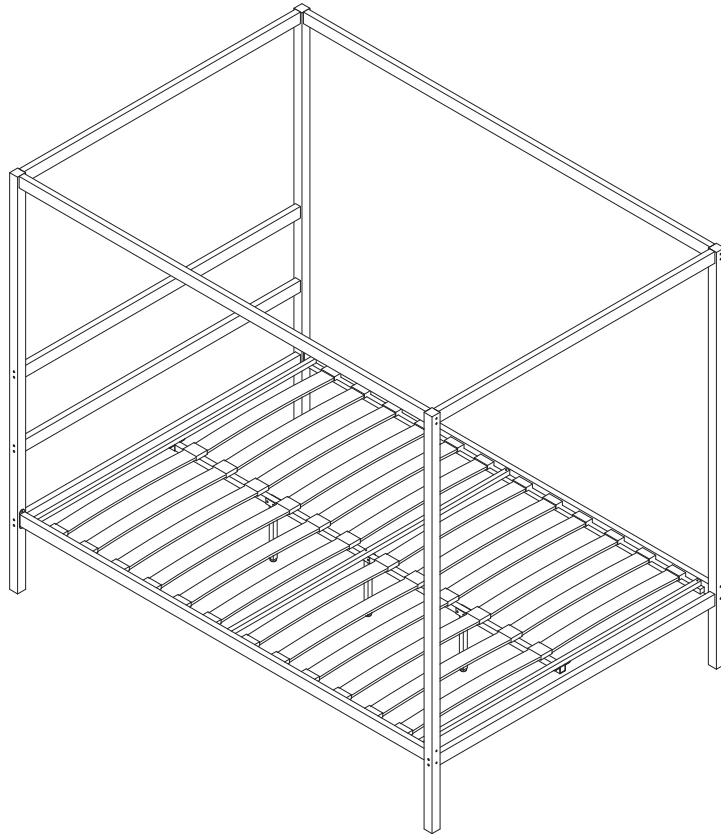


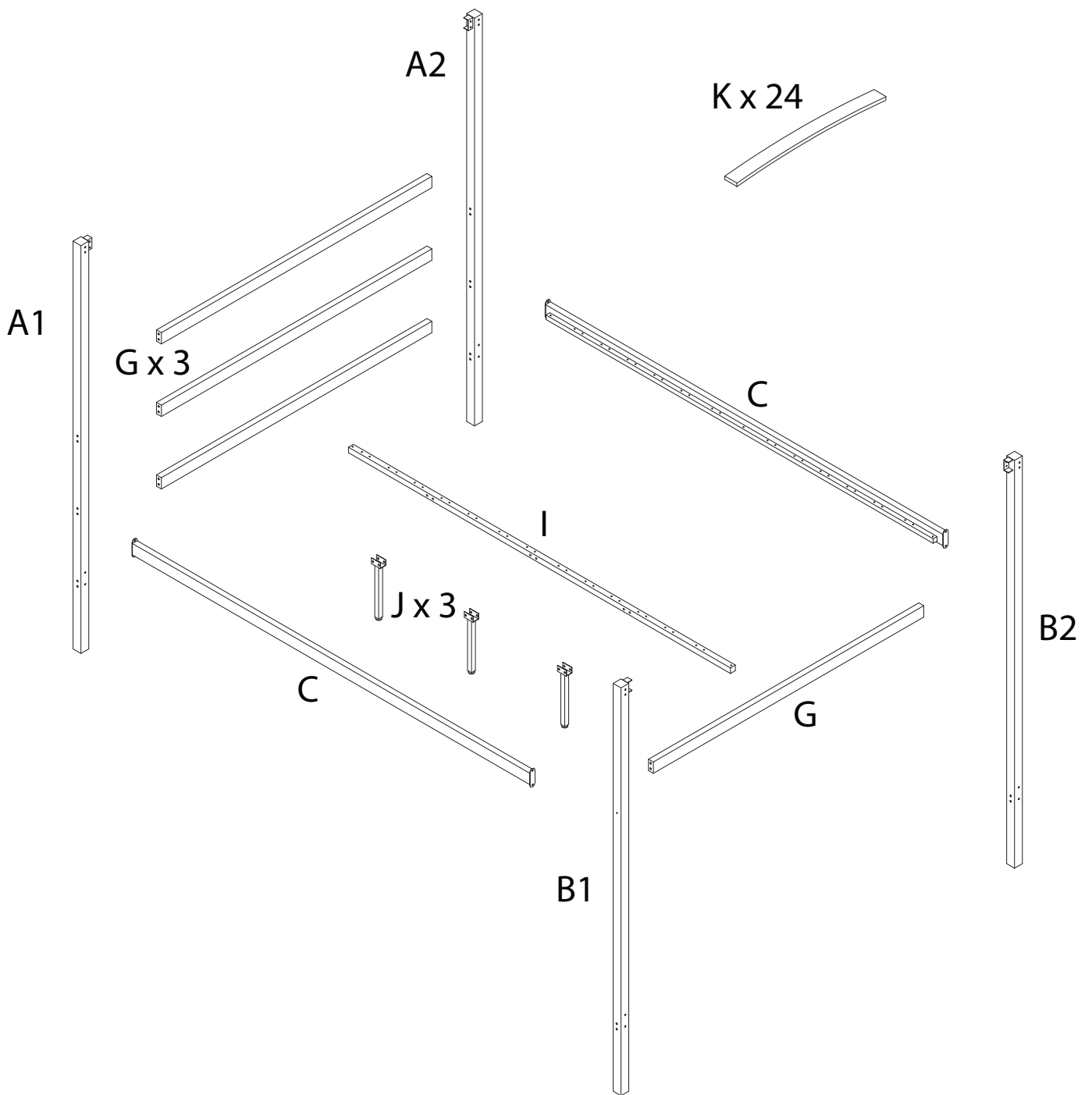
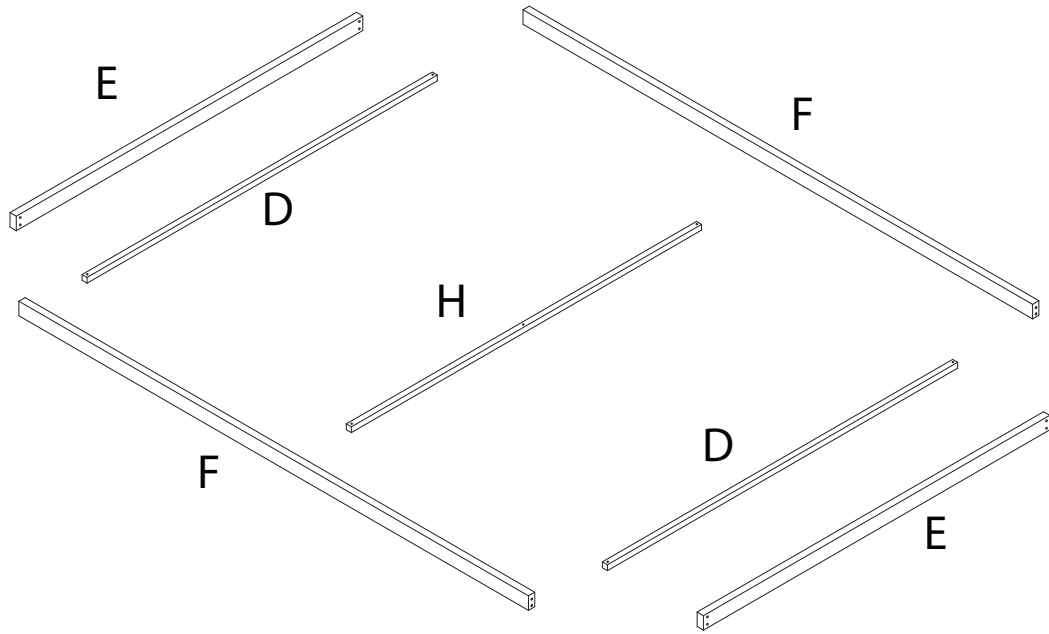
# LESTARDS





Assembly instructions for step 1/9:

- Tools:** An icon in a circle shows an Allen key and a wrench. A power drill icon is crossed out with a diagonal line, indicating it should not be used.
- Warning:** A triangle with an exclamation mark points to the instructions.
- Time:** A clock icon is shown with the number **60'** below it, indicating a 60-minute assembly time.
- Personnel:** An icon of a person is shown with the number **2** below it, indicating that two people are required for assembly.
- Diagram:** An icon in a circle shows a rectangular block being placed on a surface. A second diagram shows the block being secured to the surface with a screw.



A1



x 1

A2



x 1

B1



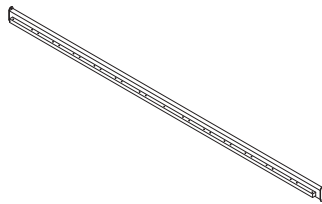
x 1

B2



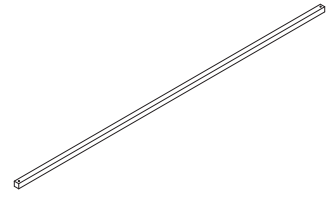
x 1

C



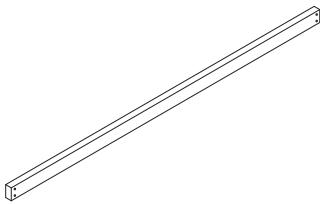
x 2

D



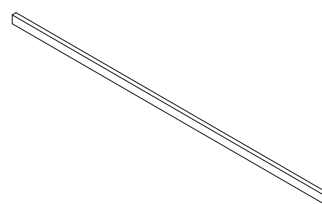
x 2

E



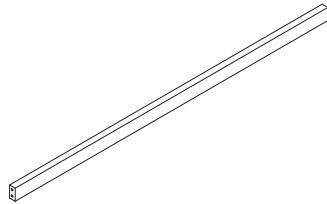
x 2

F



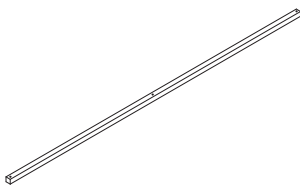
x 2

G



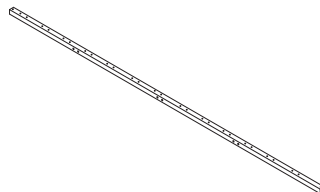
x 4

H



x 1

I



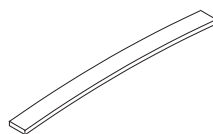
x 1

J



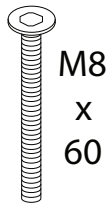
x 3

K



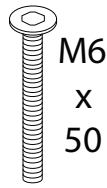
x 24

L



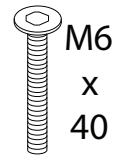
x 24

M



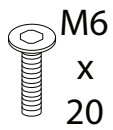
x 6

N



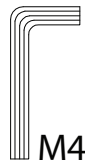
x 17

O



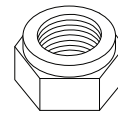
x 12

P



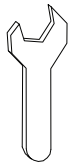
x 2

Q



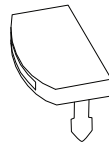
x 12

R



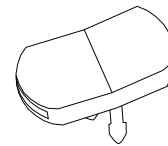
x 1

S



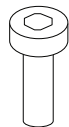
x 24

T



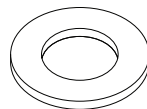
x 12

U



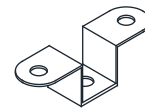
x 8

V



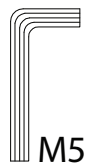
x 51

W

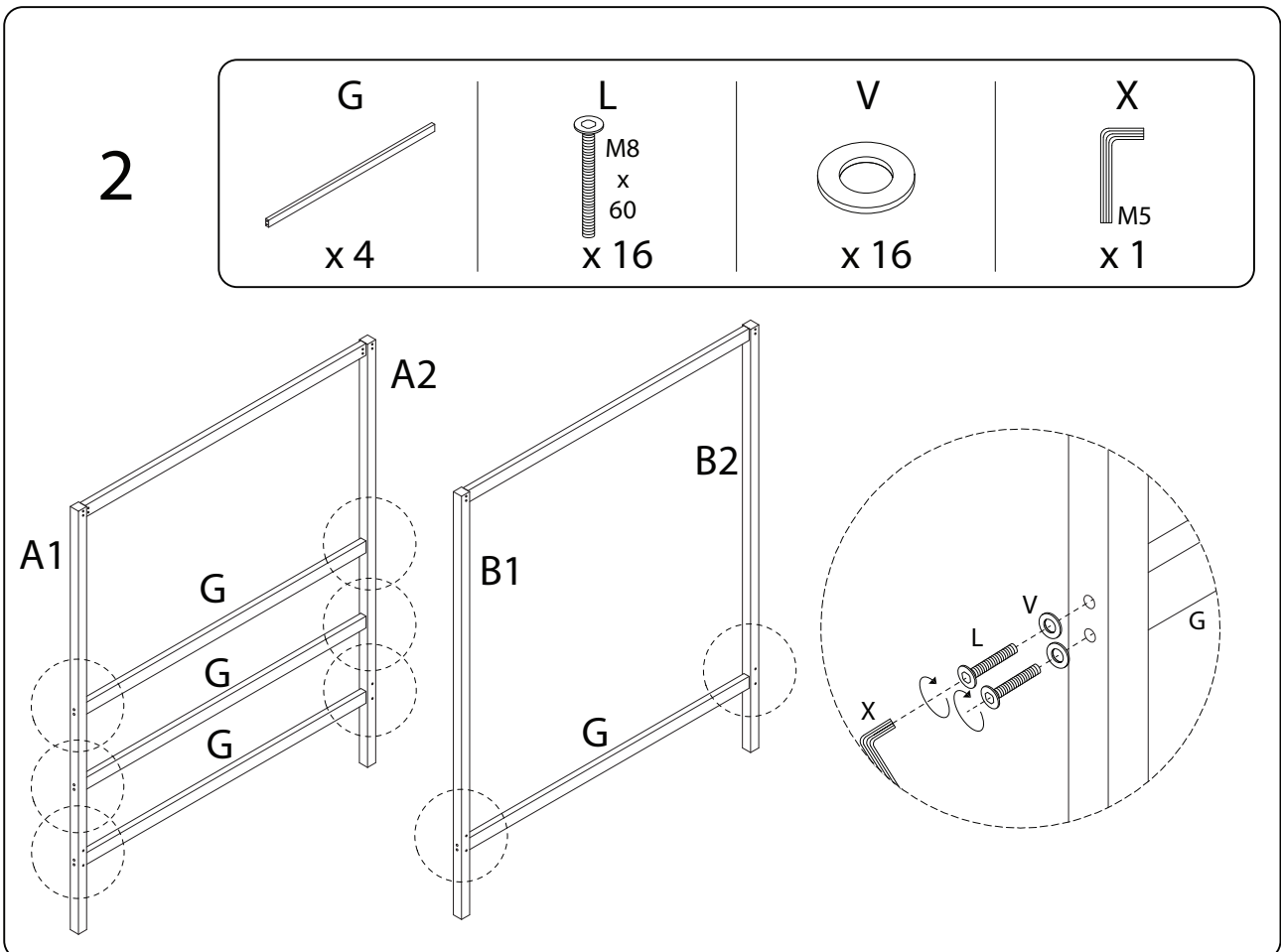
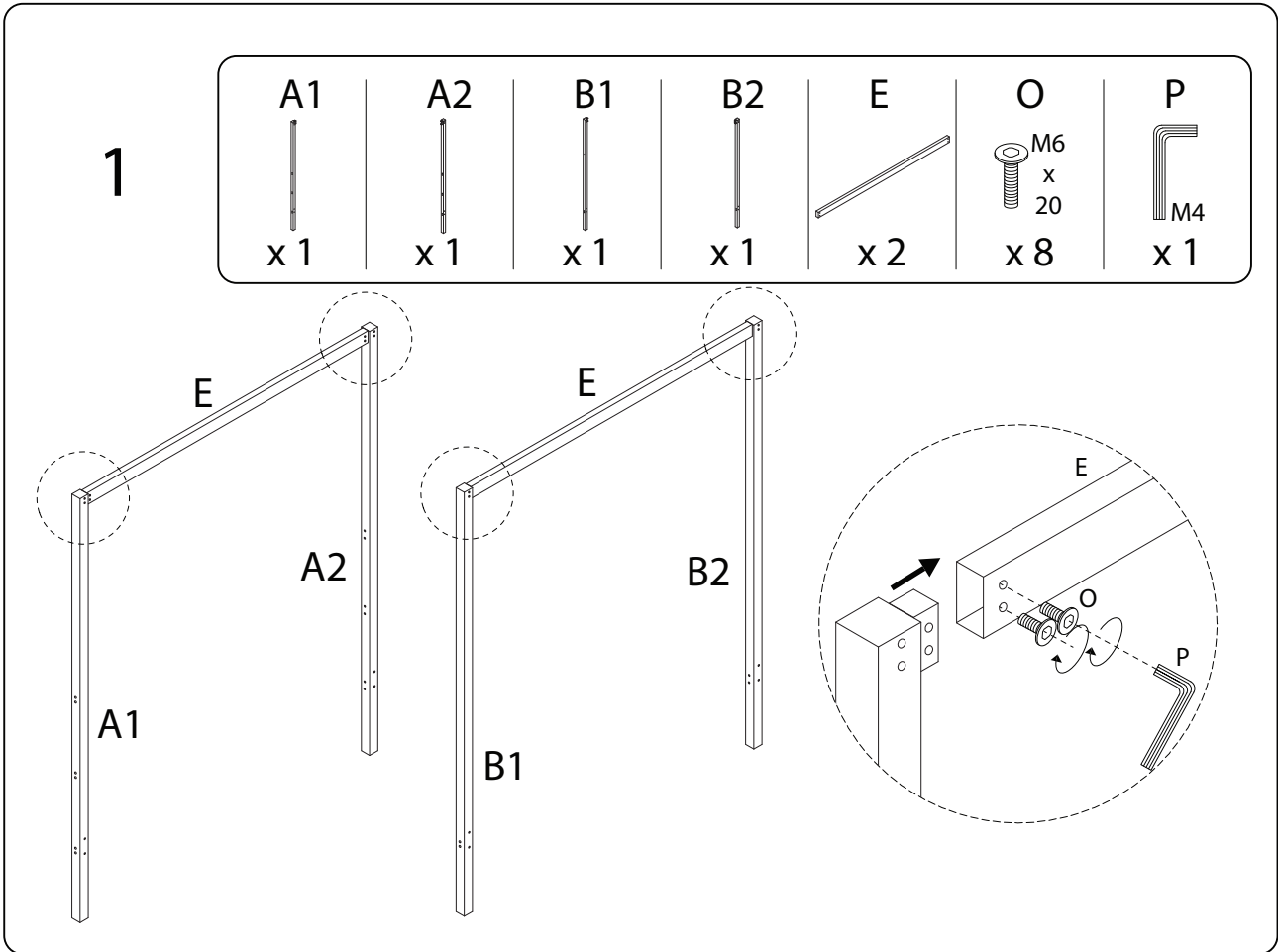


x 2

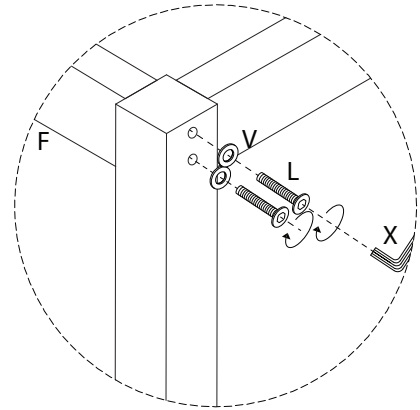
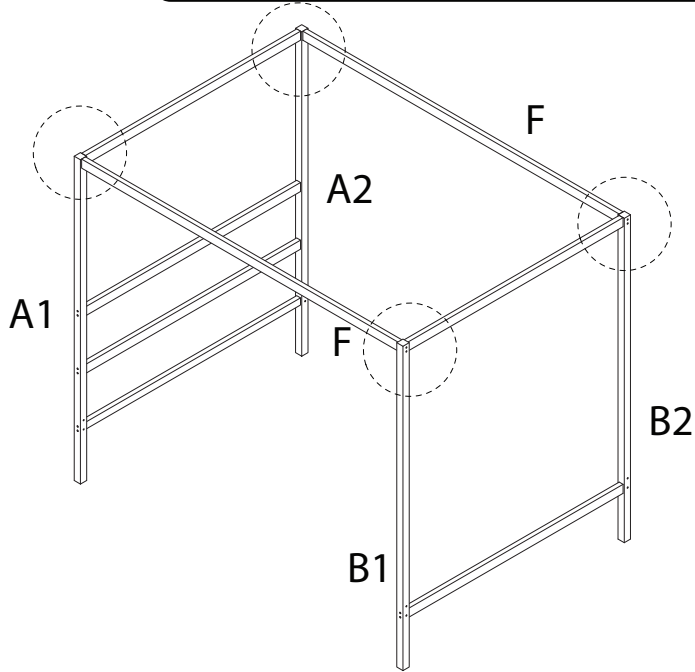
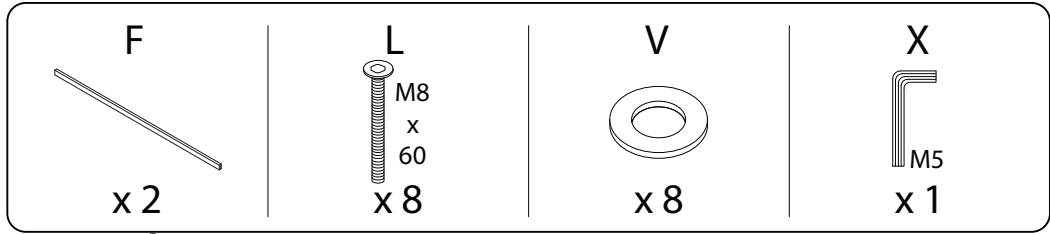
X



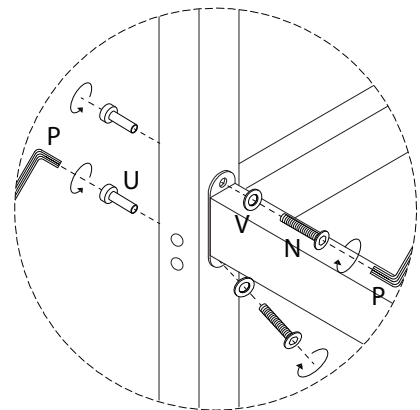
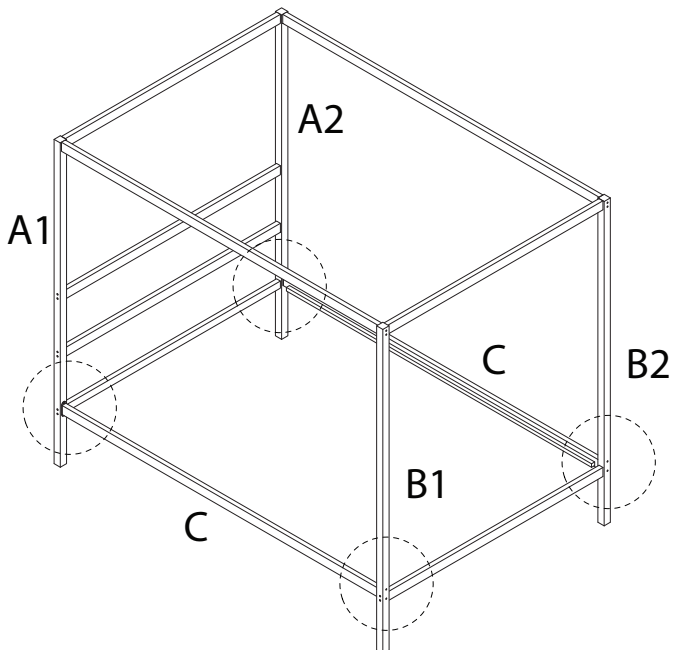
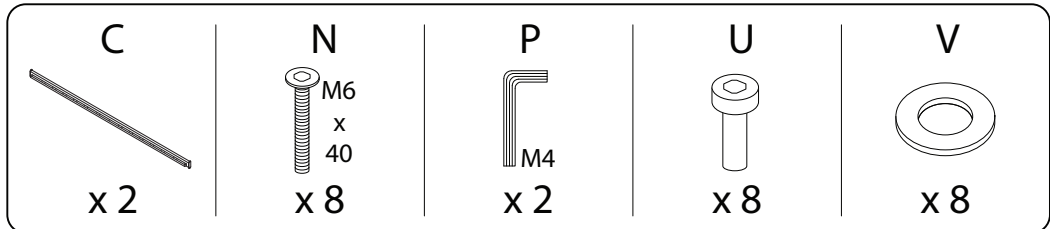
x 1



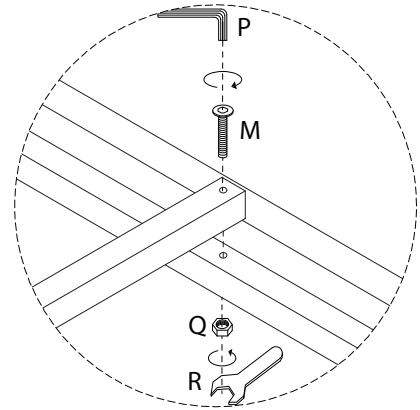
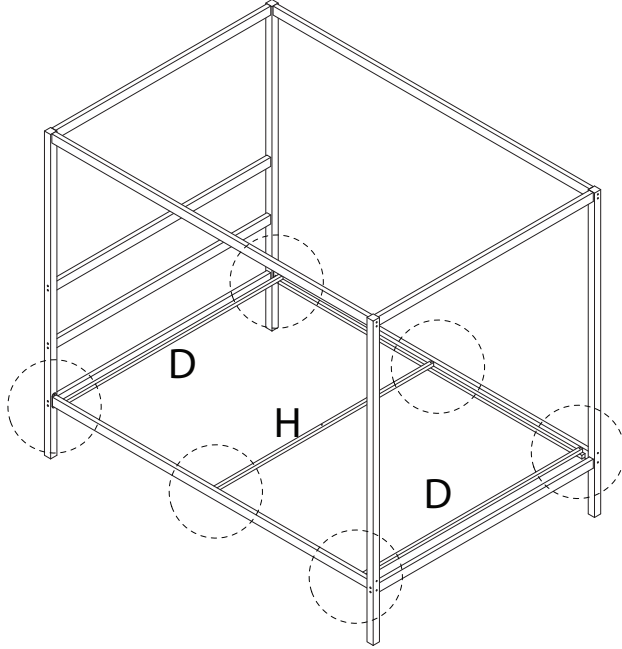
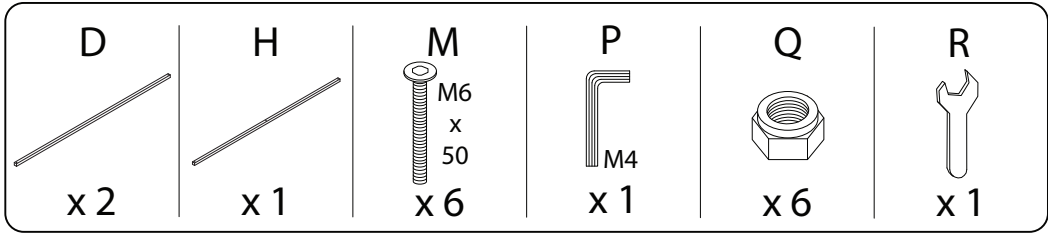
3



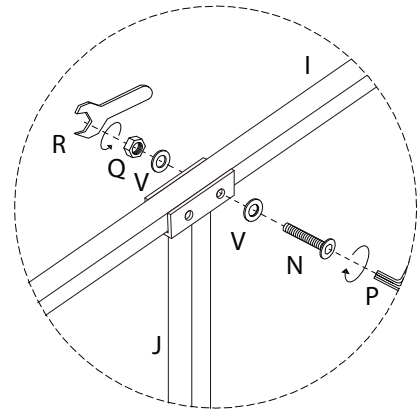
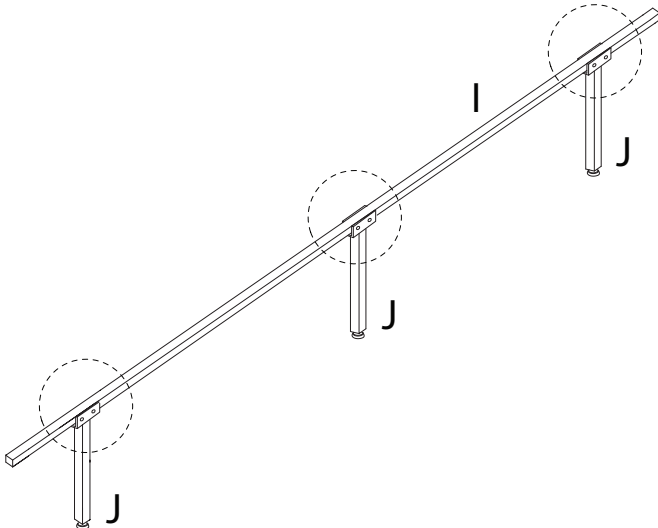
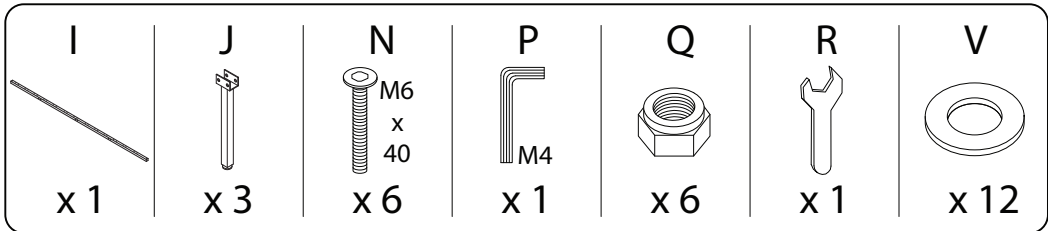
4



5



6





7

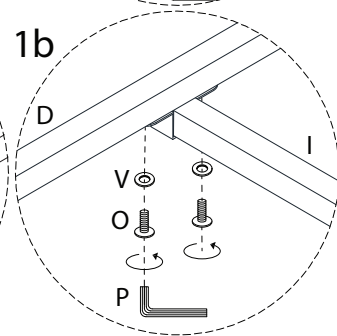
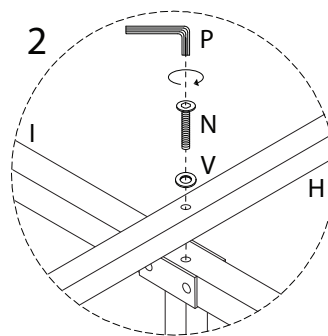
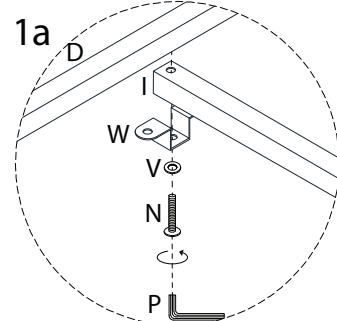
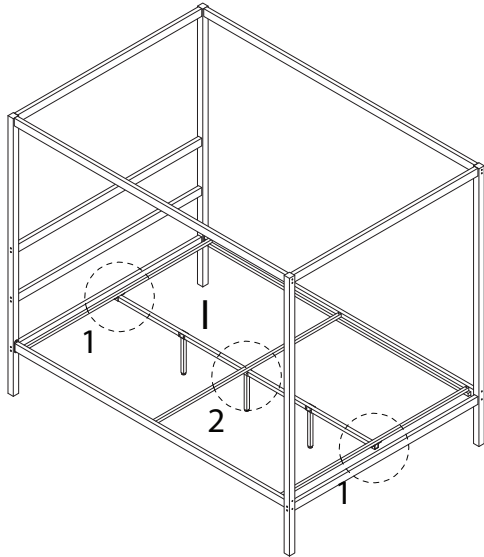
N  
M6  
x  
40  
x 3

O  
M6  
x  
20  
x 4

P  
M4  
x 1

V  
x 7

W  
x 2

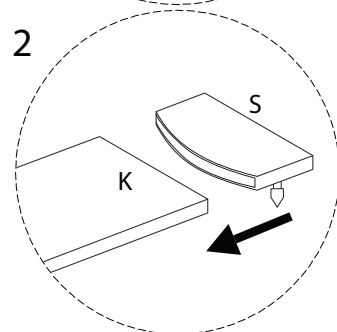
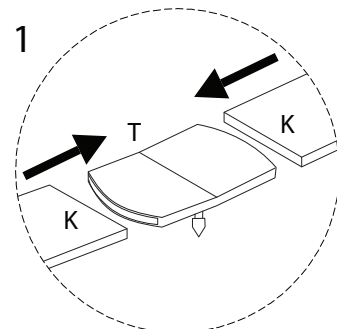
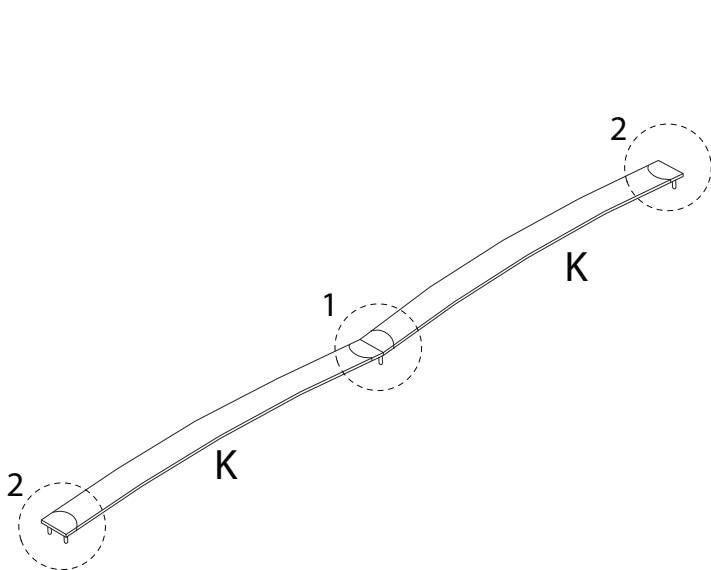


8

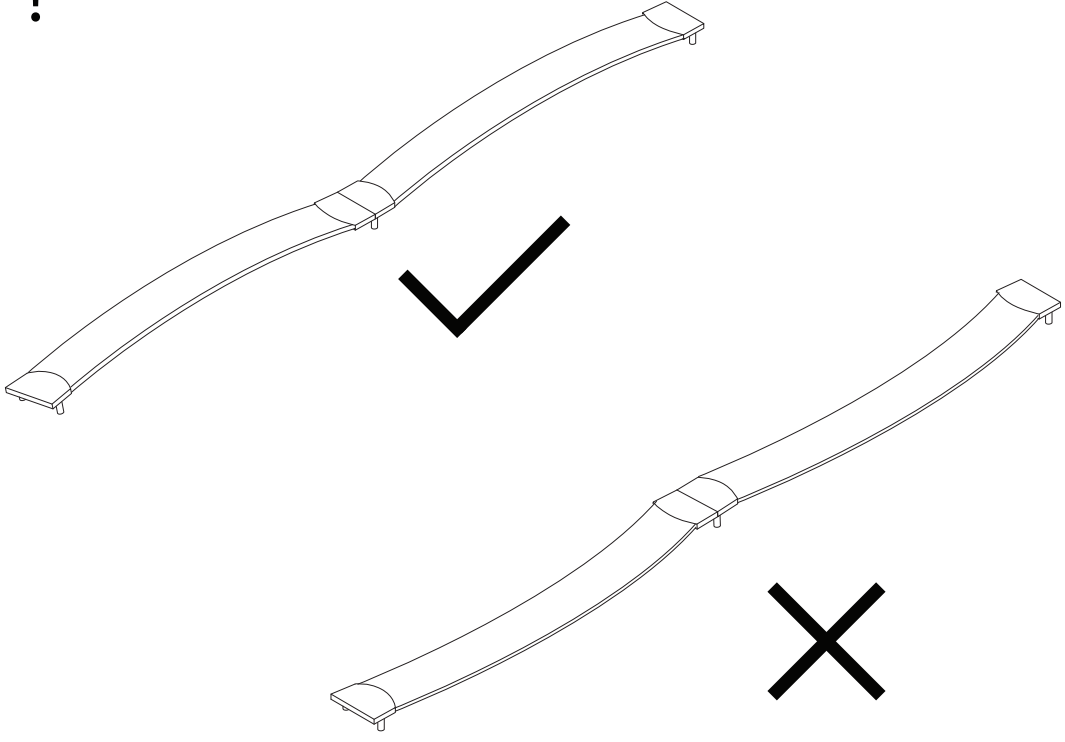
K  
x 24

S  
x 24

T  
x 12



!



9

