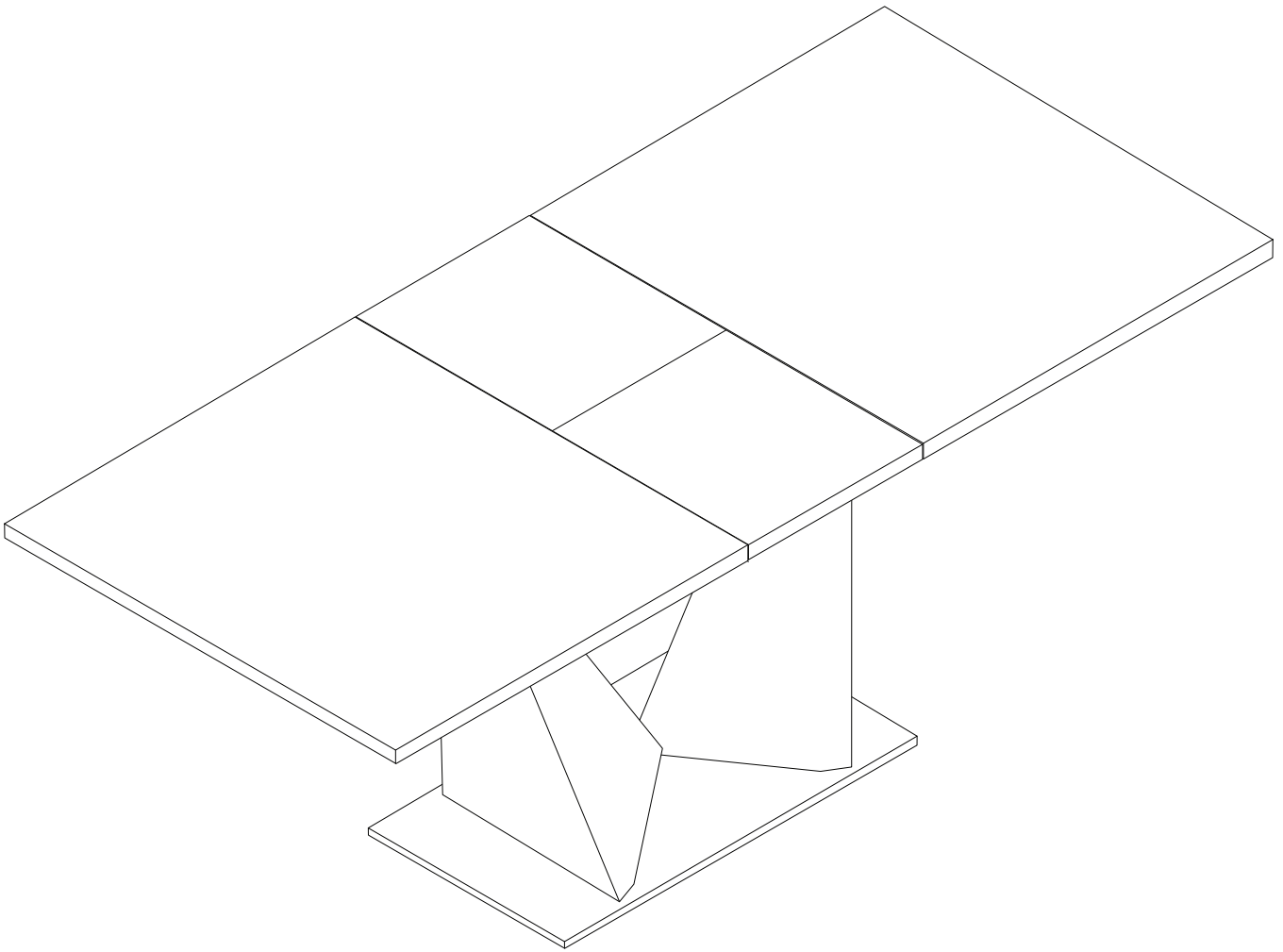
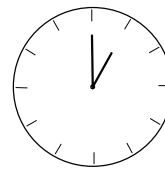
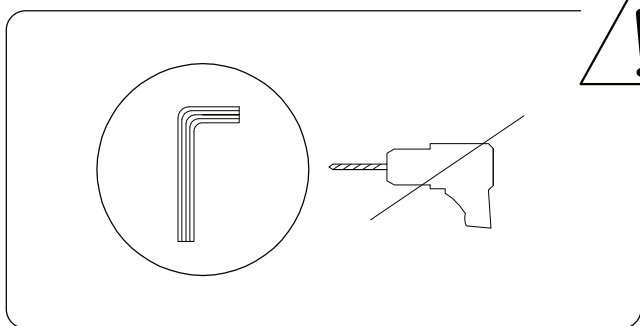
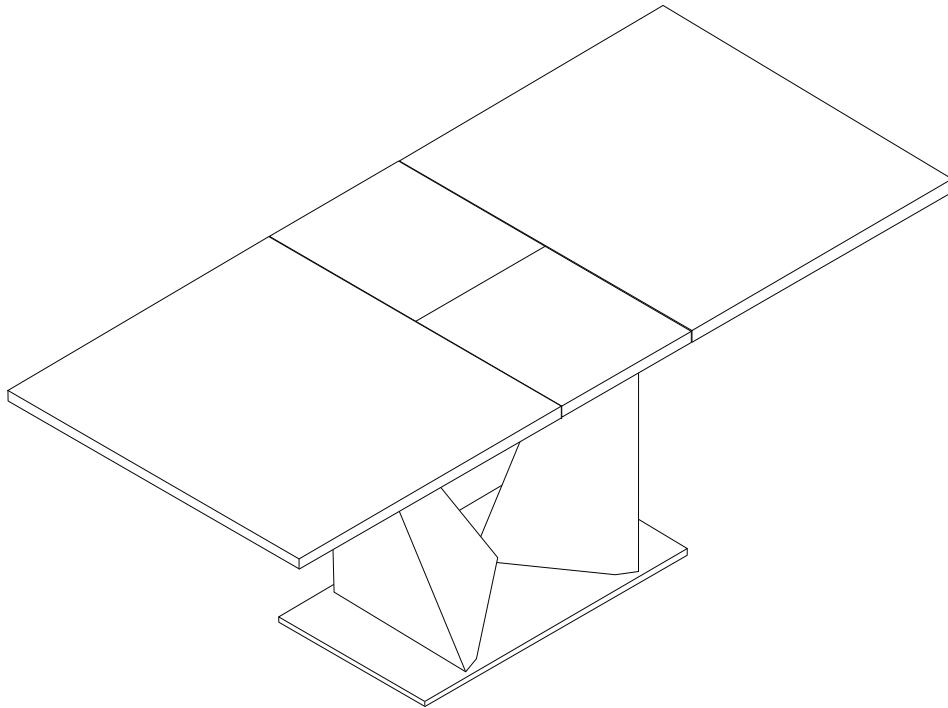
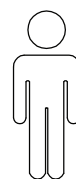
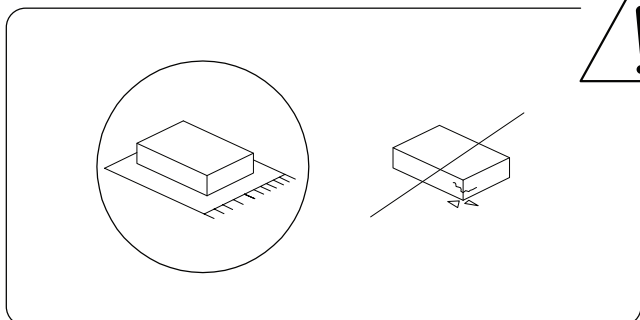


ALCANTRA

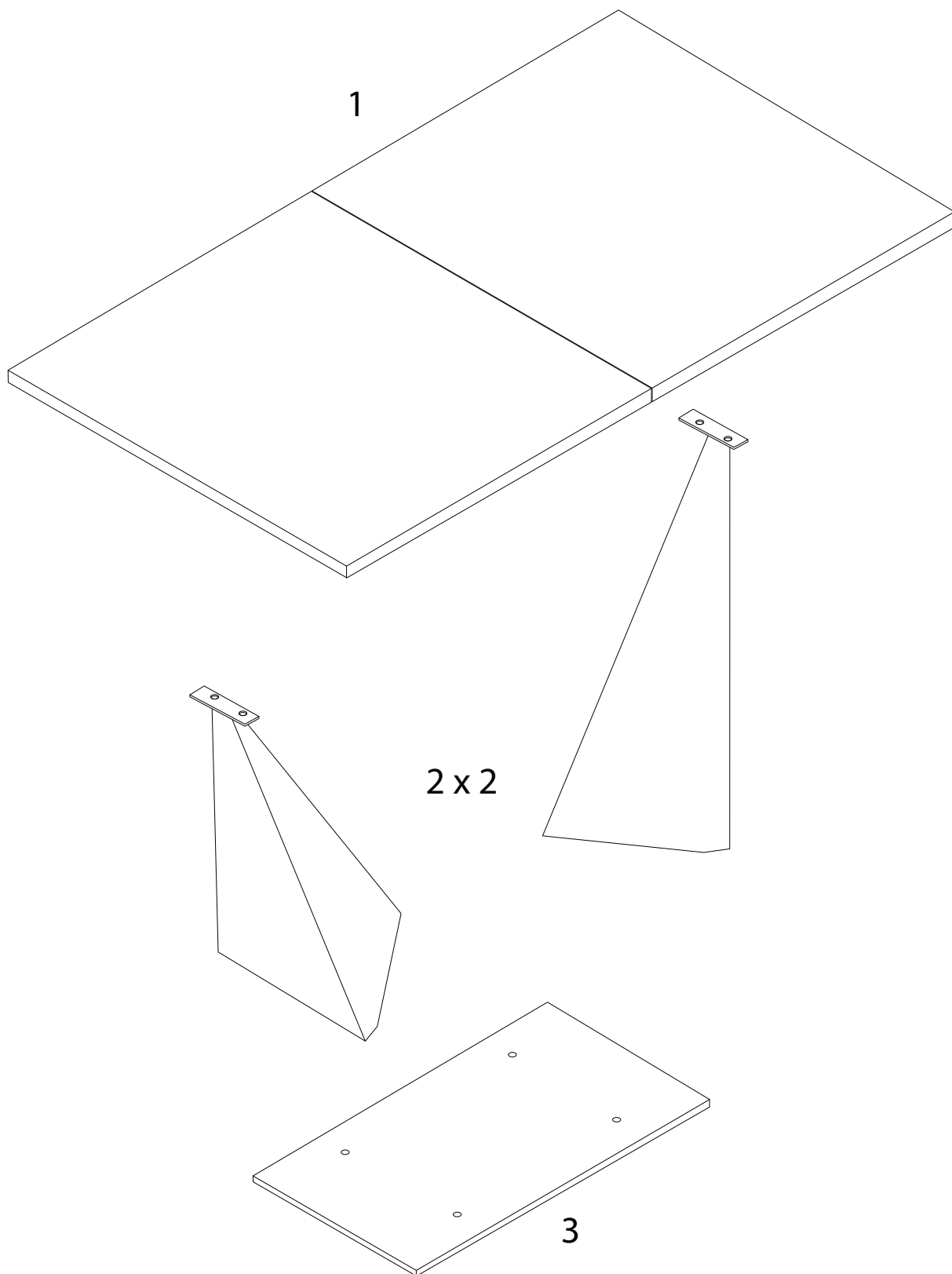




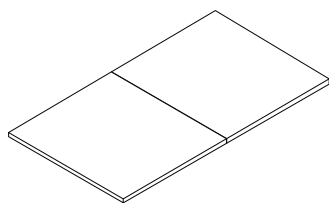
60'



2

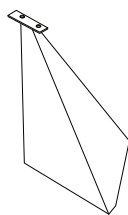


1



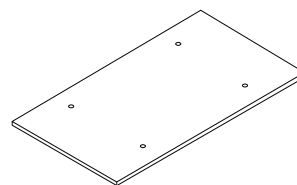
x 1

2



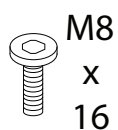
x 2

3



x 1

A



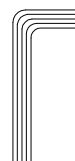
x 8

B



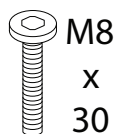
x 8

C



x 1

D



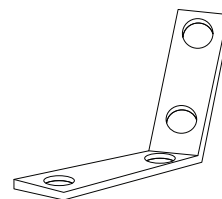
x 4

E



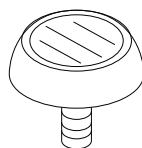
x 4

F



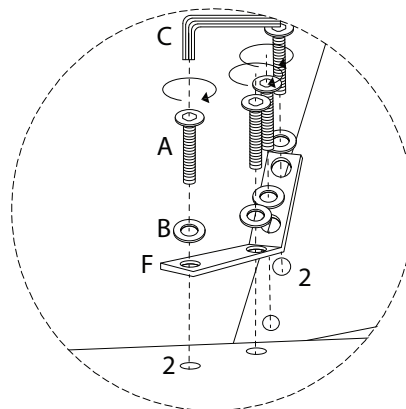
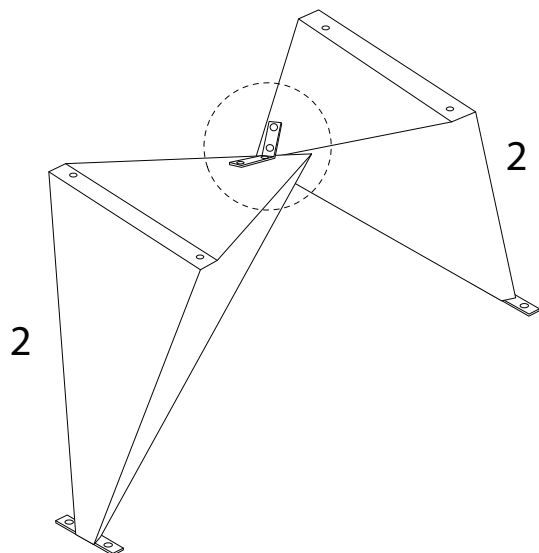
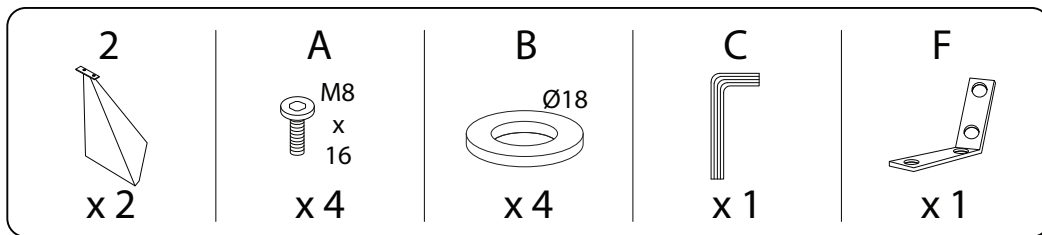
x 1

G

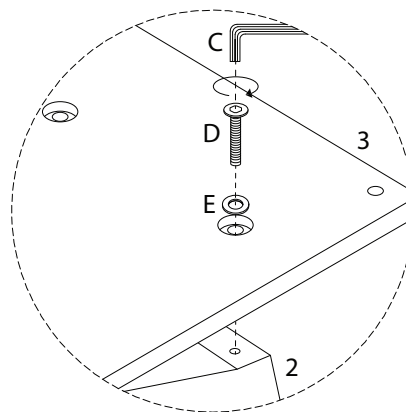
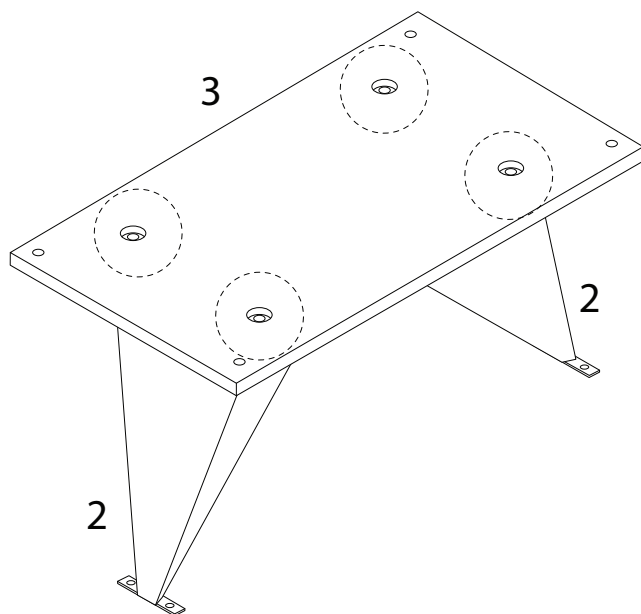
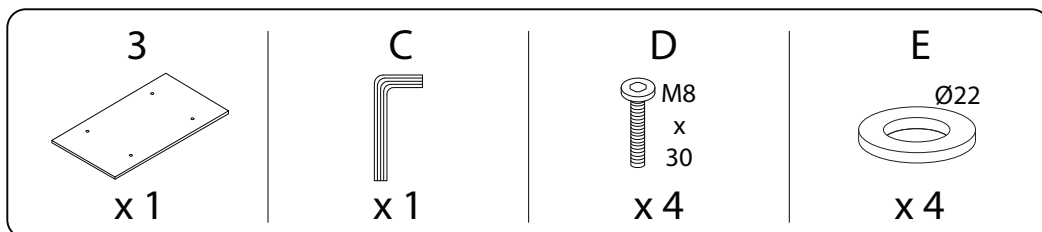


x 4

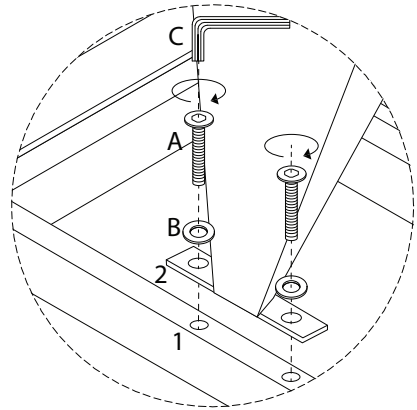
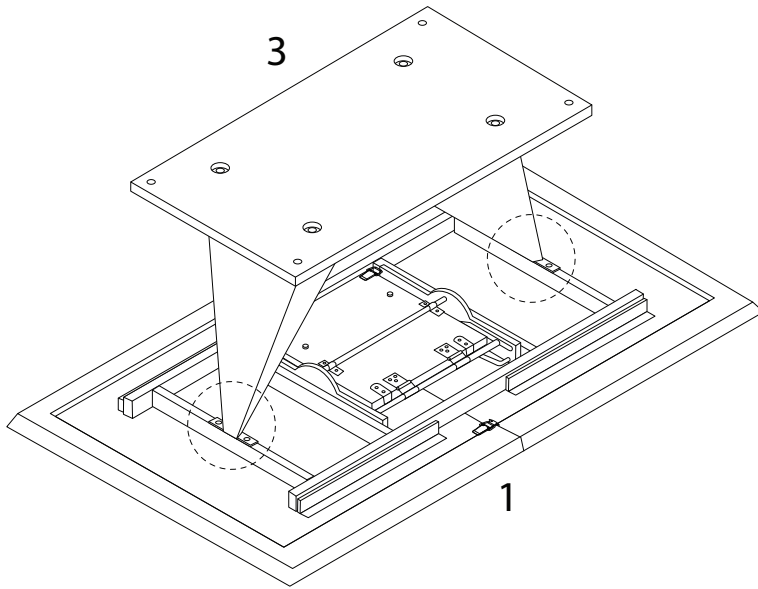
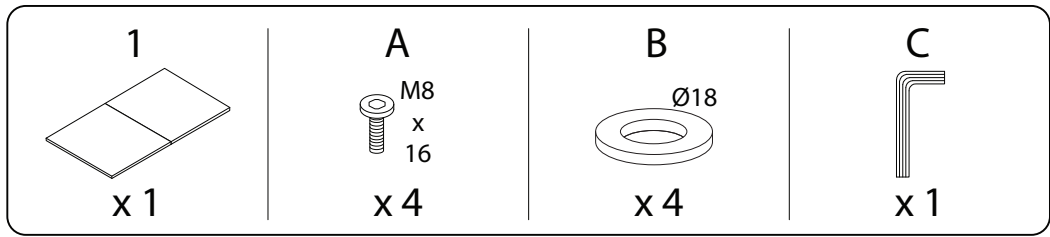
1



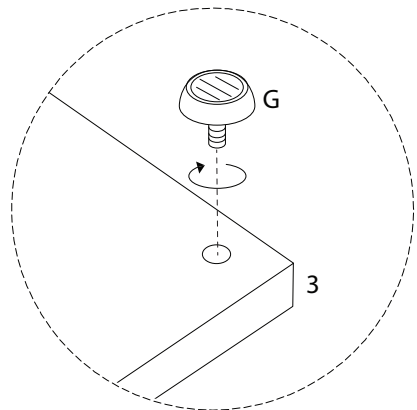
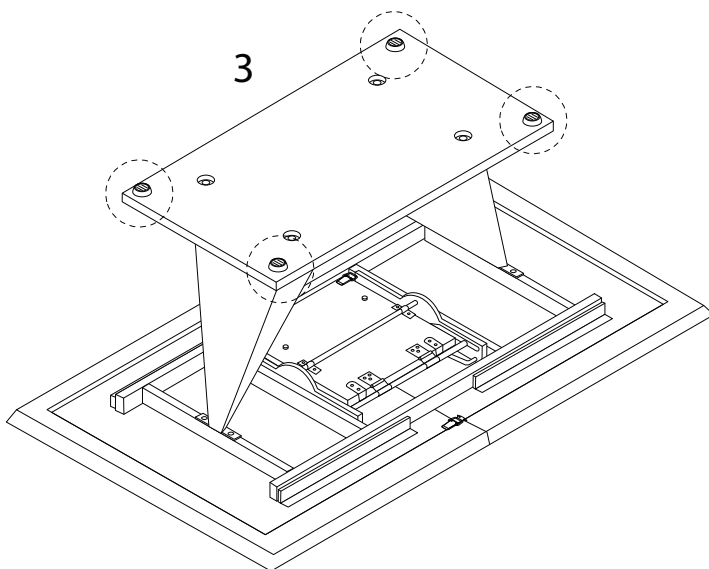
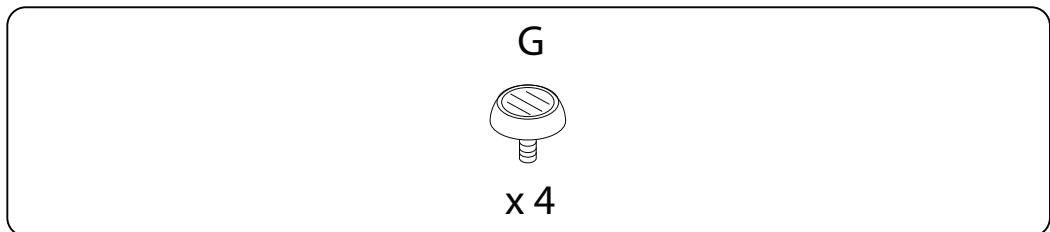
2



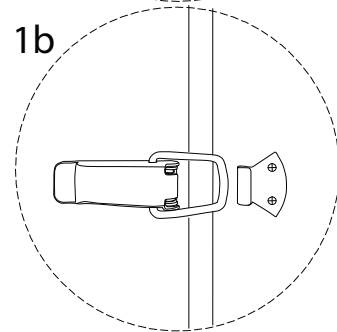
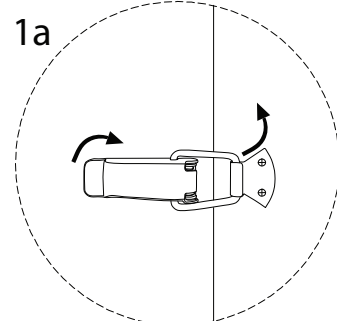
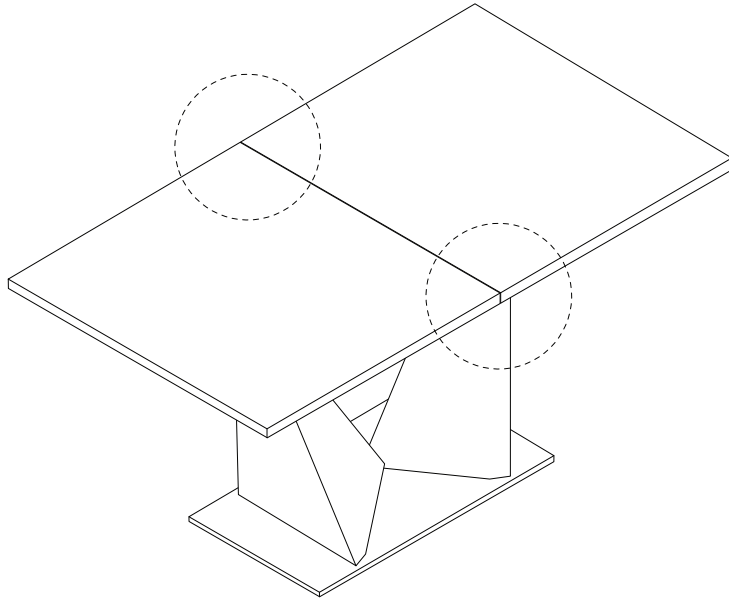
3



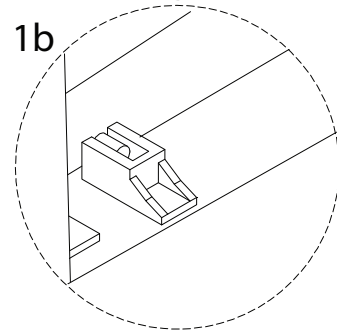
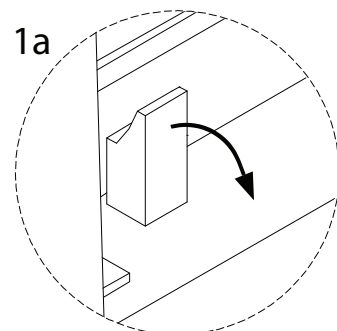
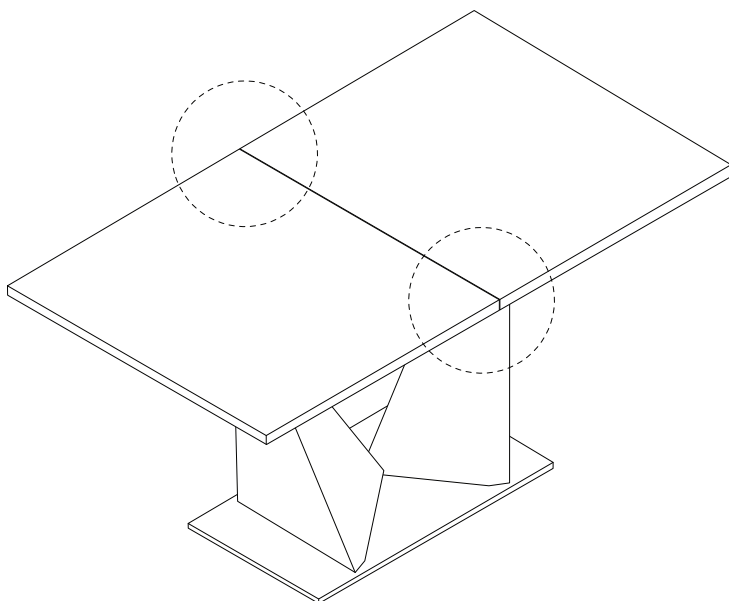
4



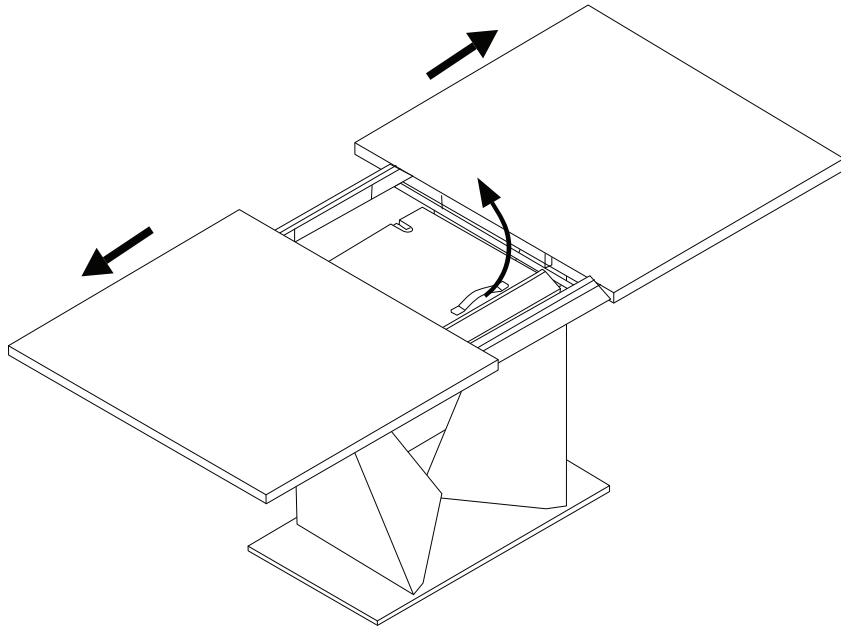
5



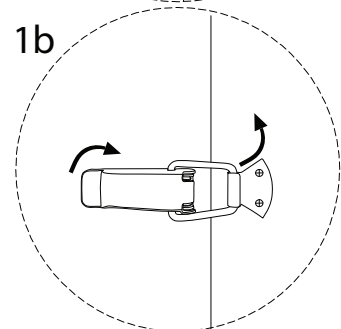
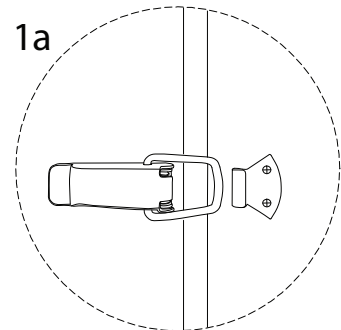
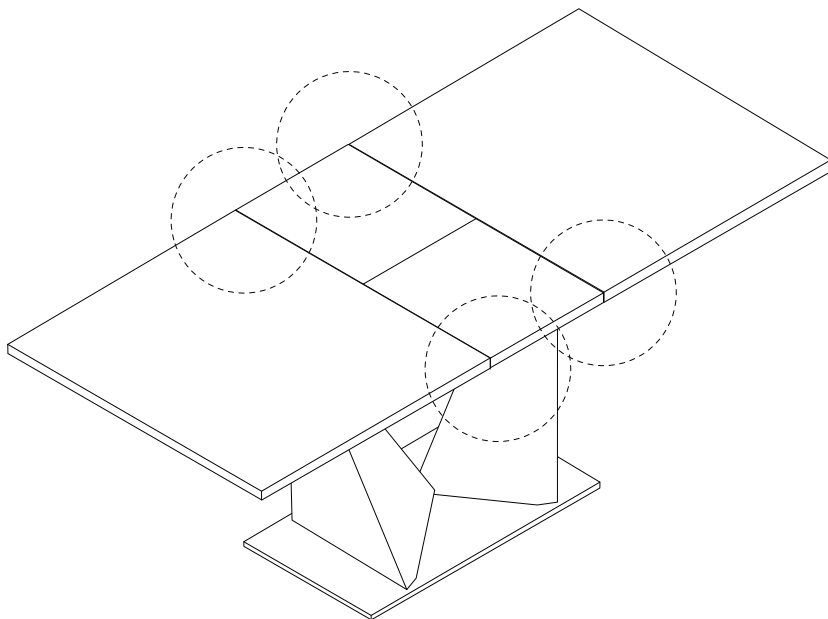
6



7



8



9

