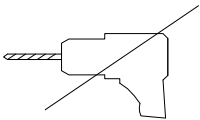

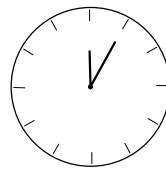
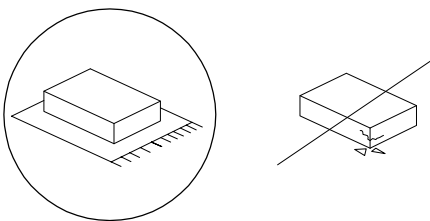

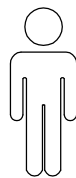
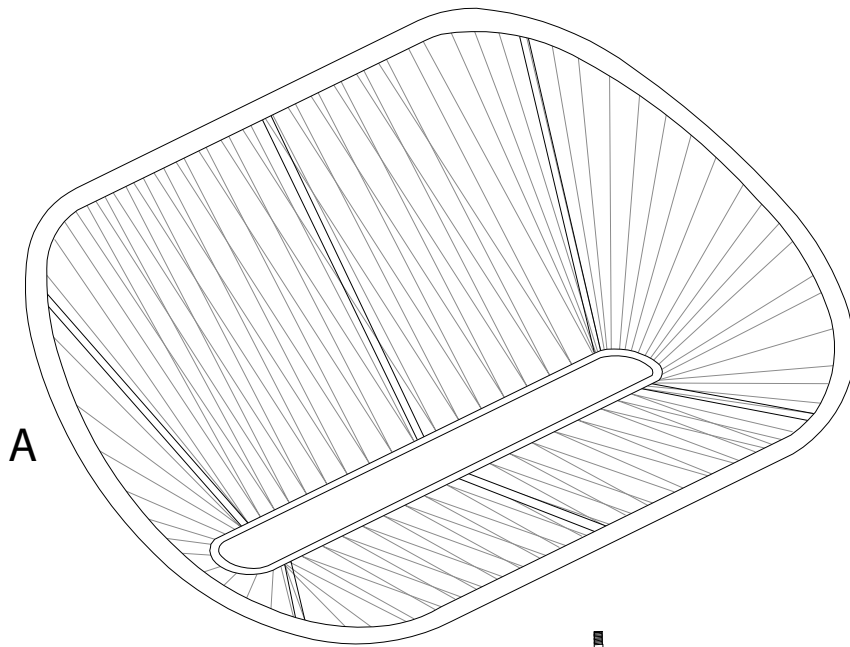


# ACAPULCO II

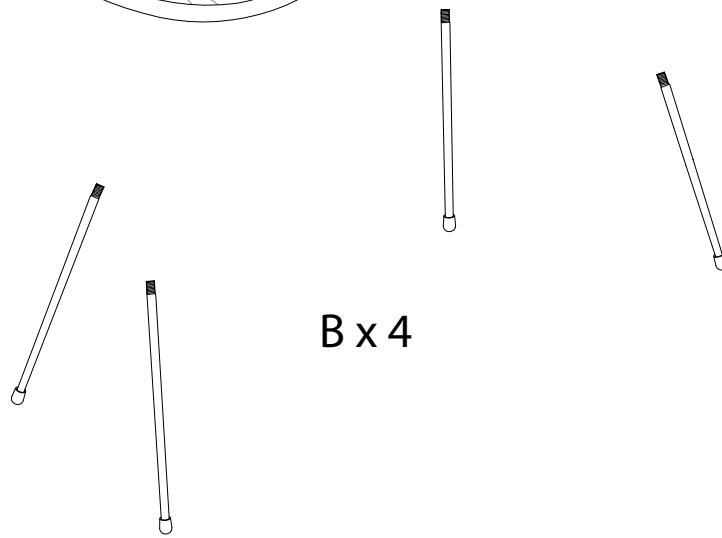




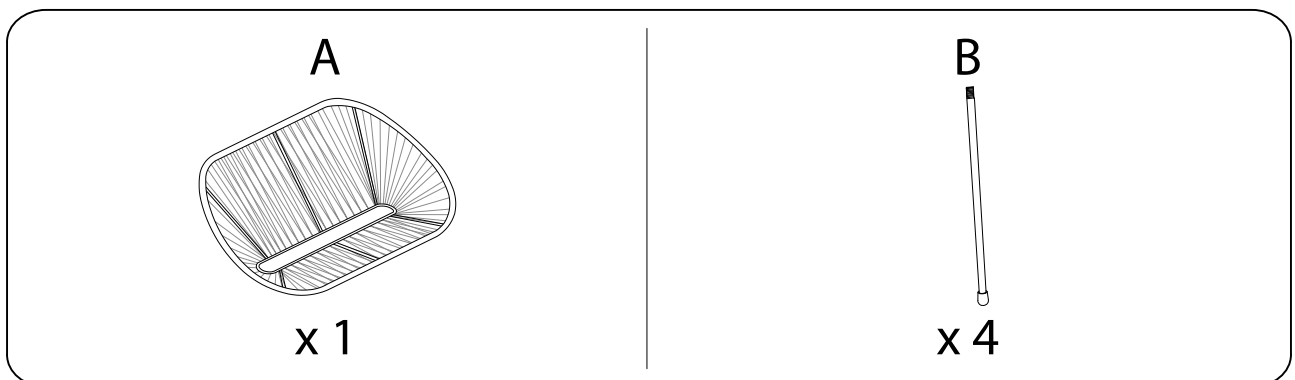
		
		5'
		
		1



A



B x 4



1

A



x 1

B



x 4

A

