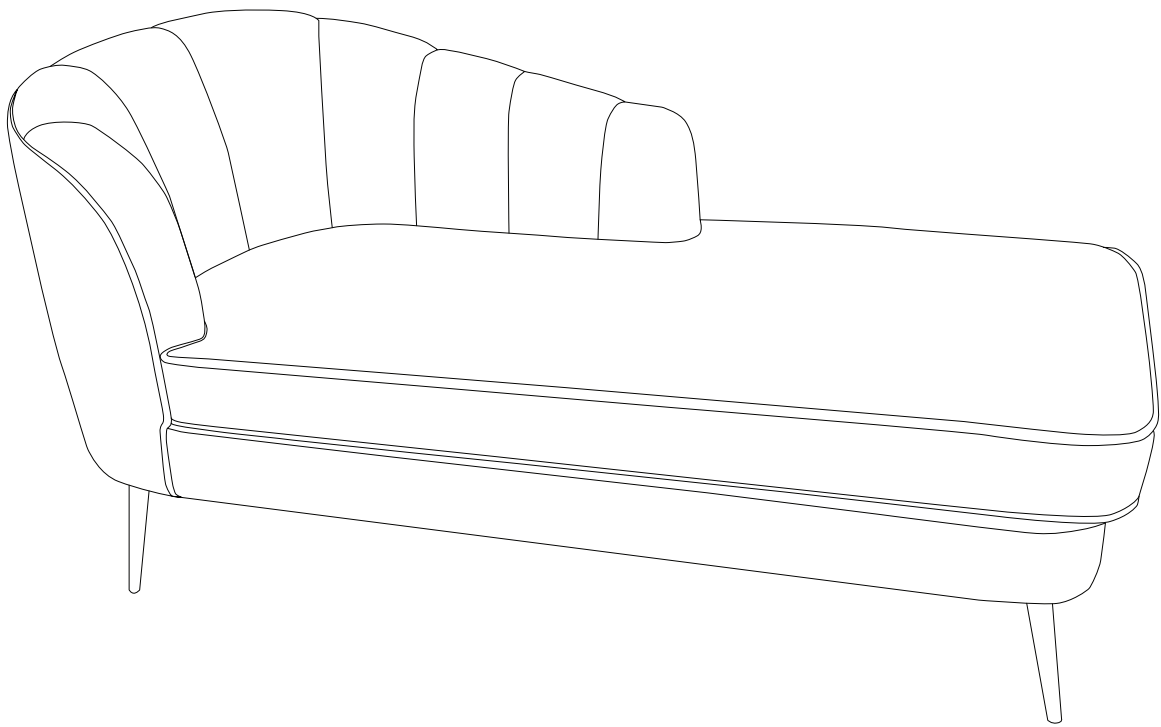
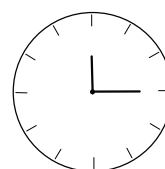
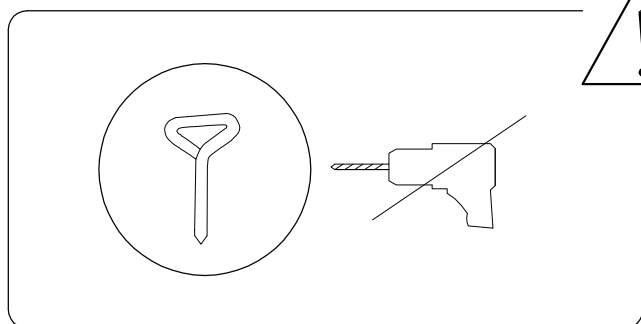
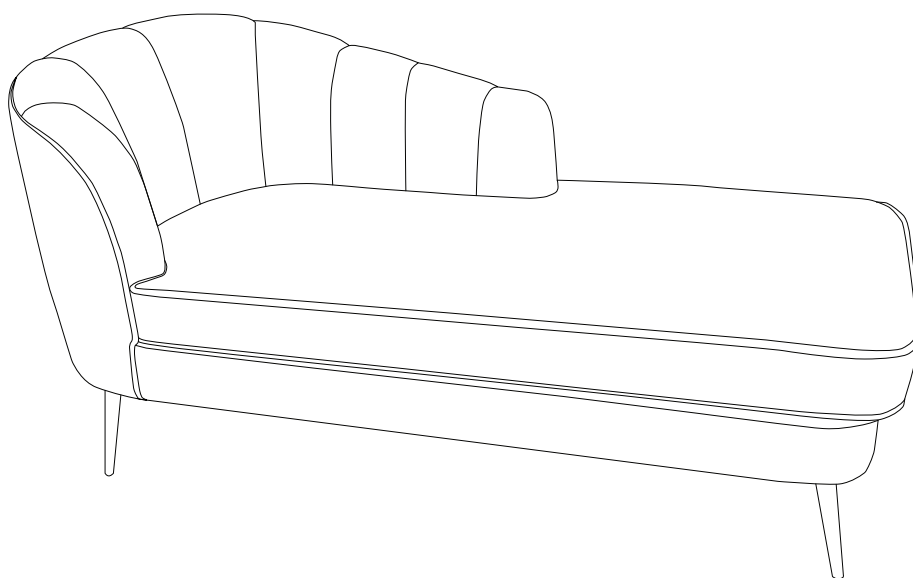
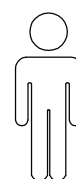
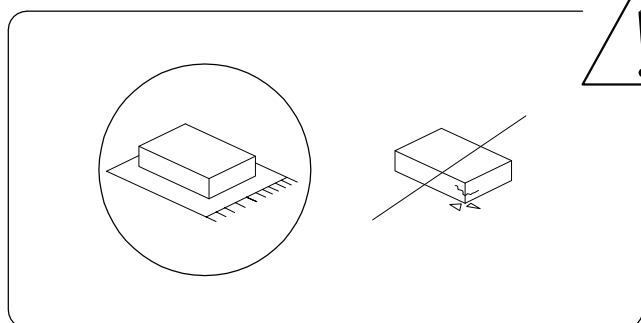


ALLIER

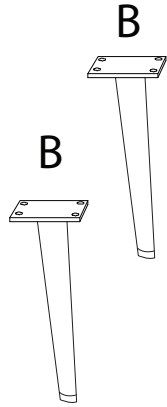
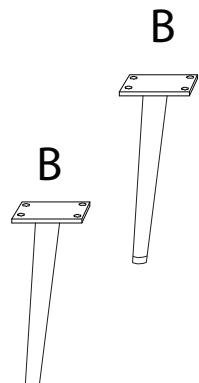
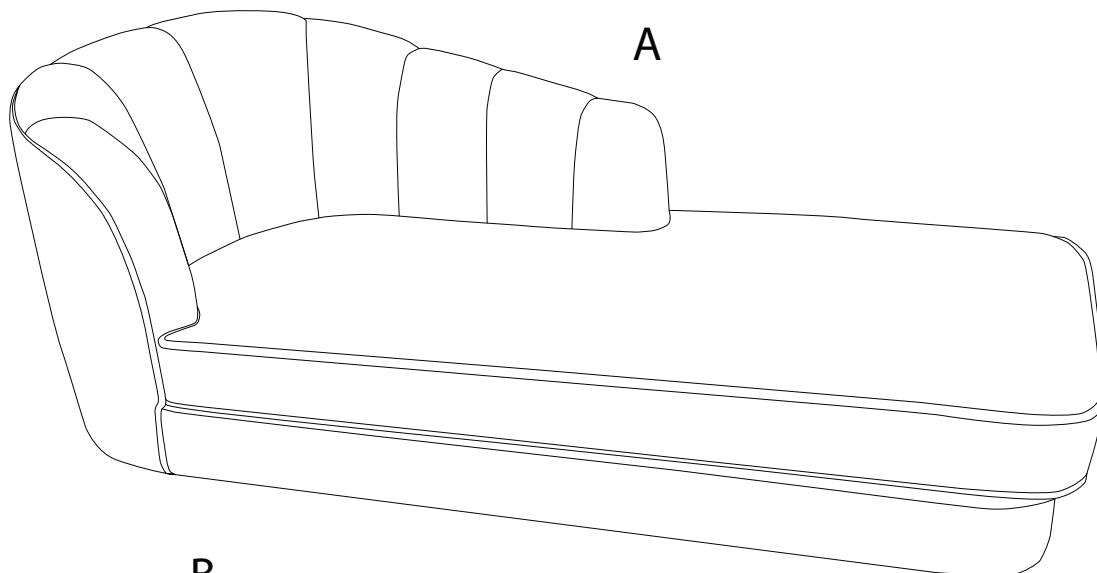


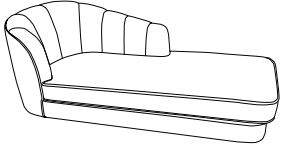

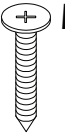
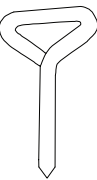


15'

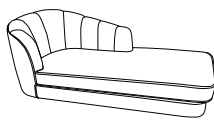

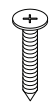
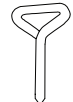


1



A	B	C	D
			
x 1	x 4	x 16	x 1

1

<p>A</p>  <p>x 1</p>	<p>B</p>  <p>x 4</p>	<p>C</p>  <p>M4 x 30</p> <p>x 16</p>	<p>D</p>  <p>x 1</p>
---	---	--	---

