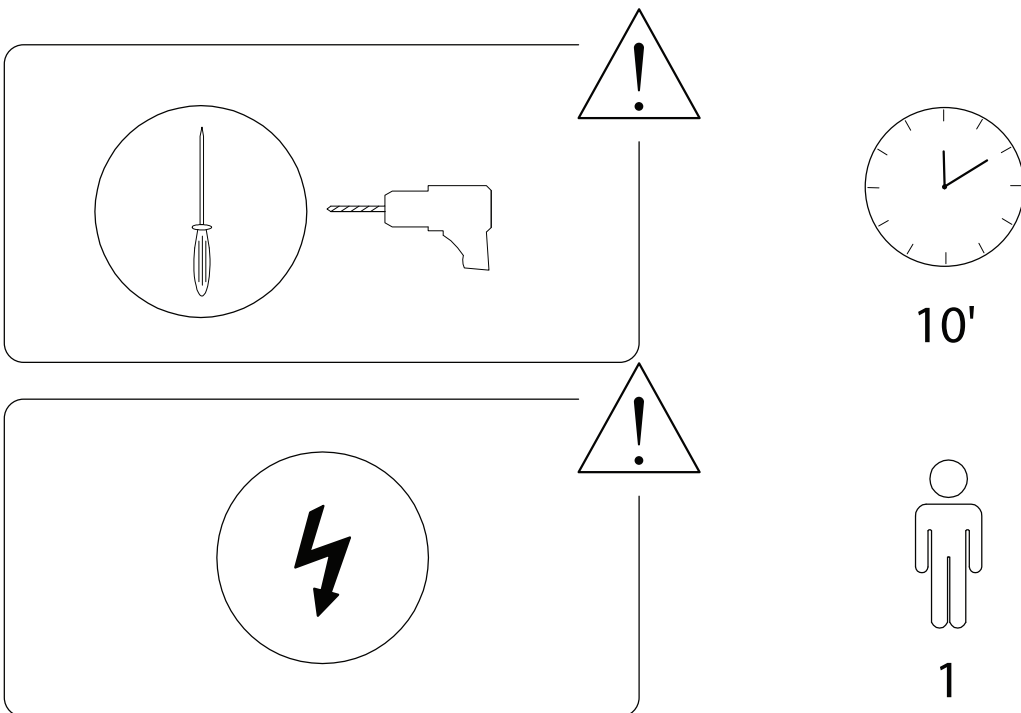
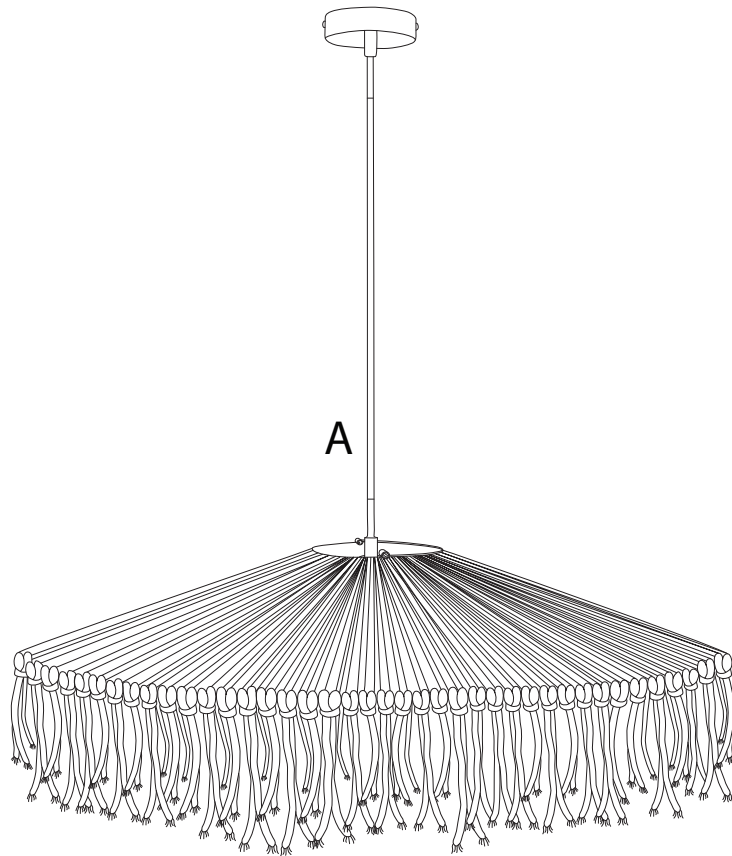


# AKOBO





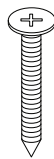


A



x 1

B



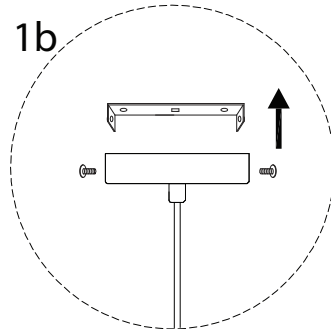
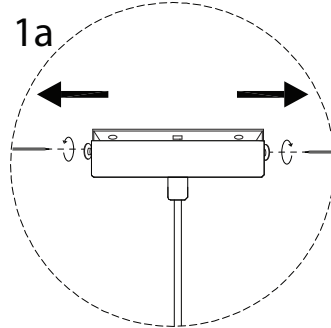
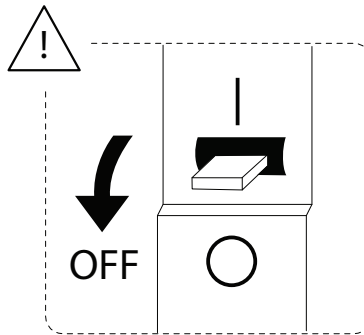
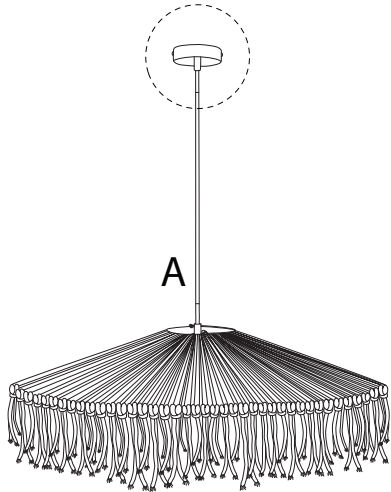
x 2

C

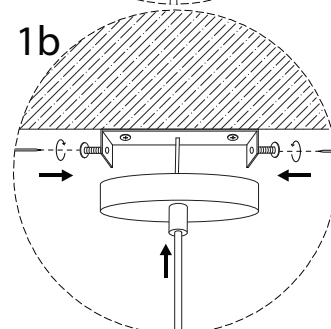
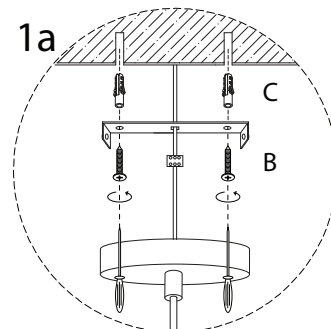
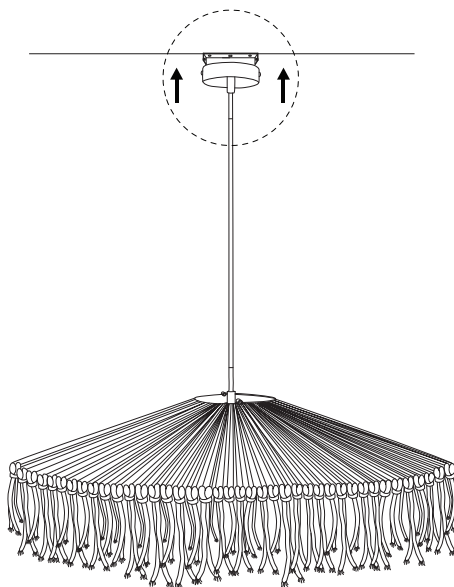
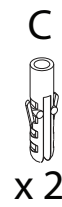
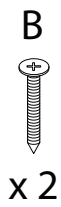


x 2

1



2



3



!

