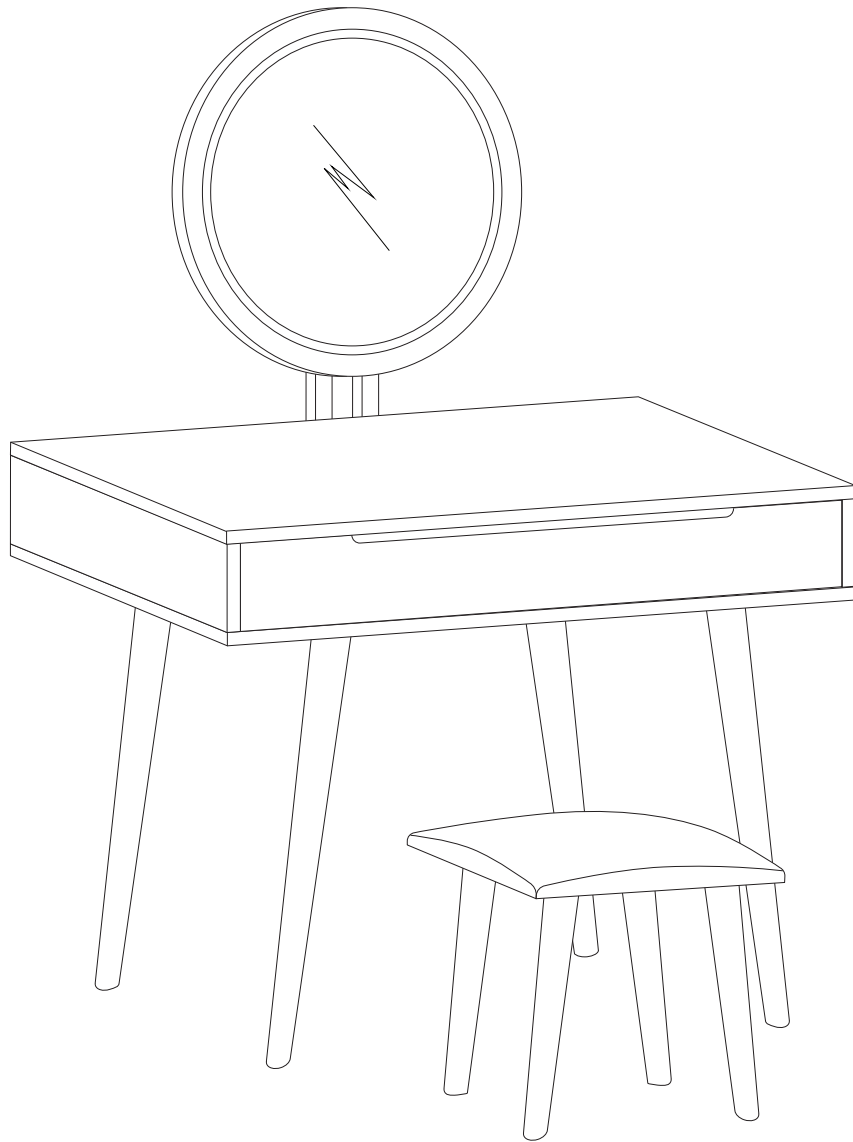
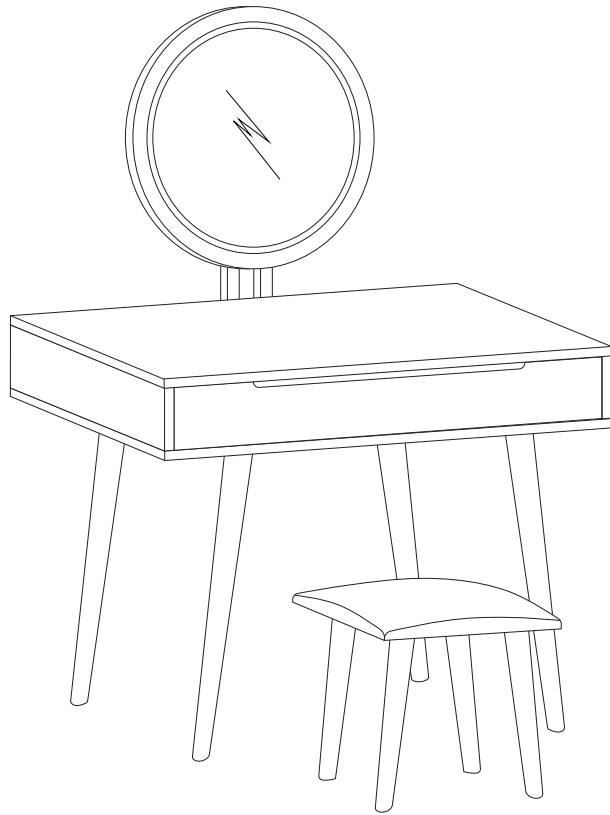


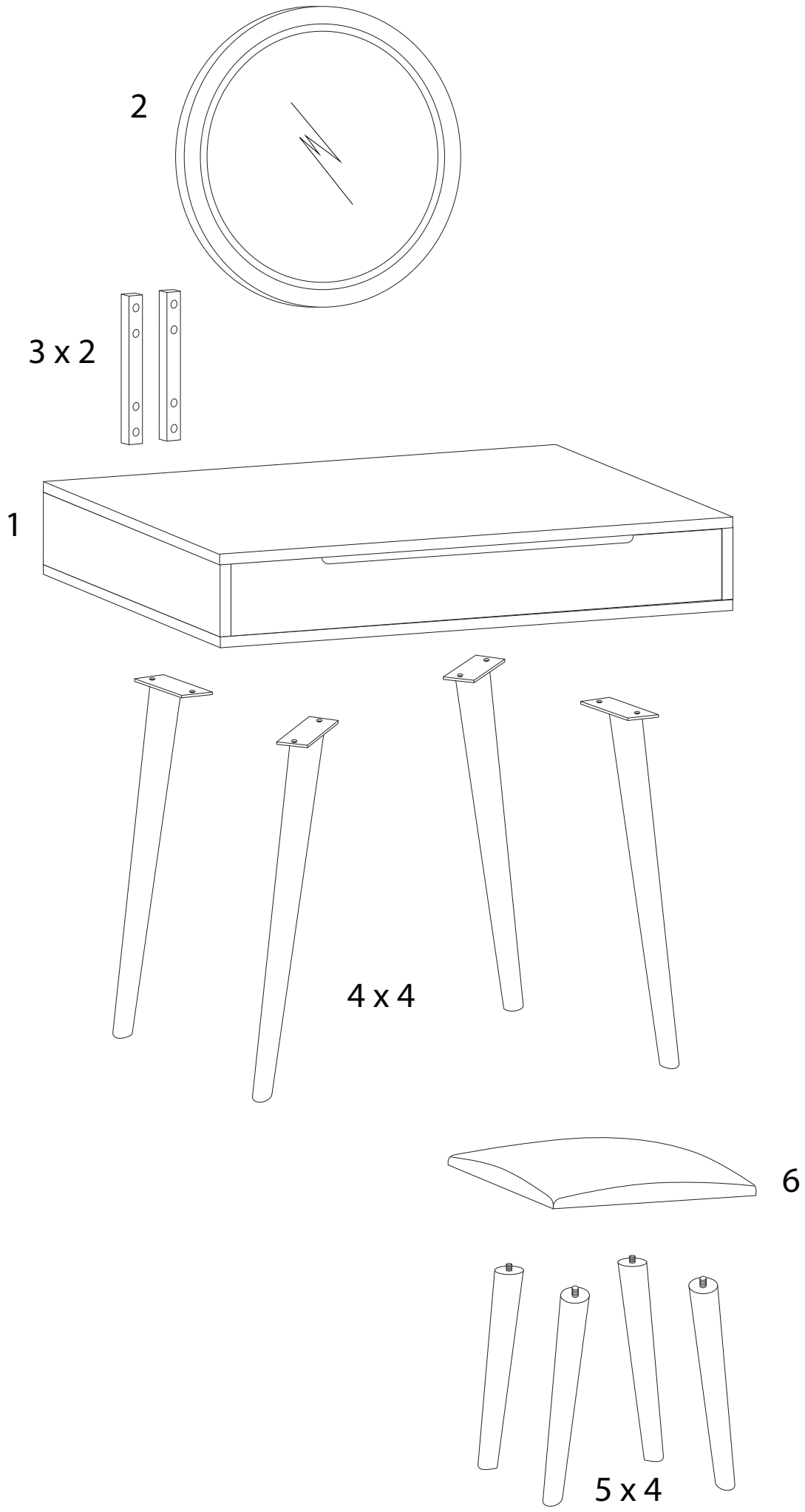
VESOUL

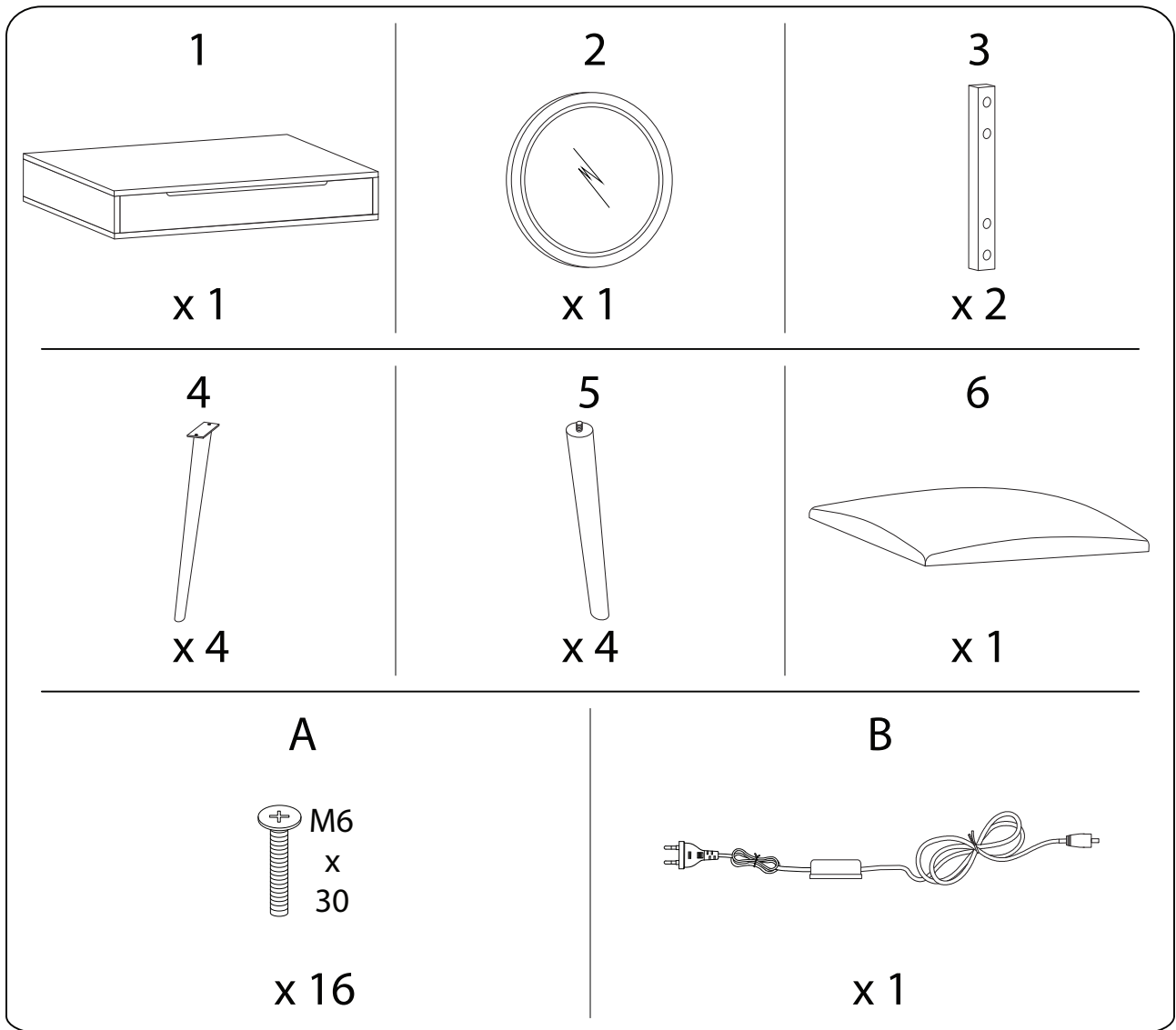




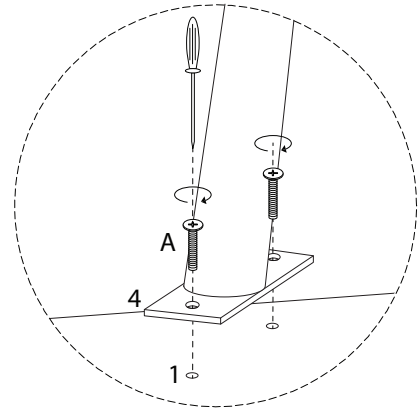
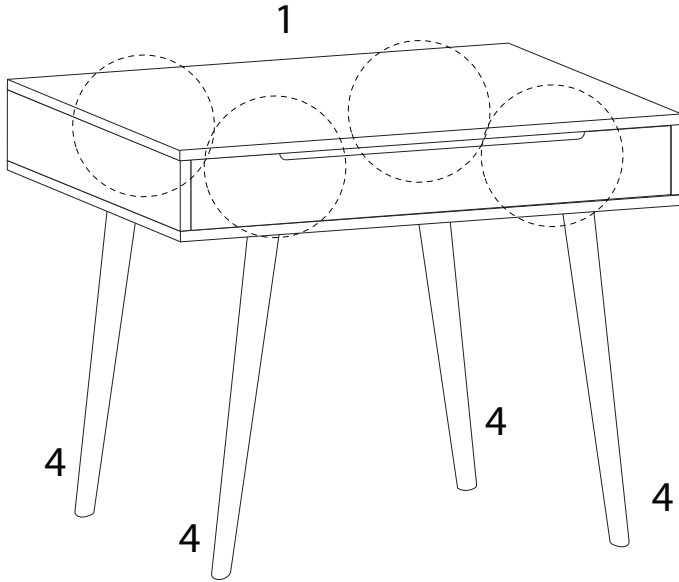
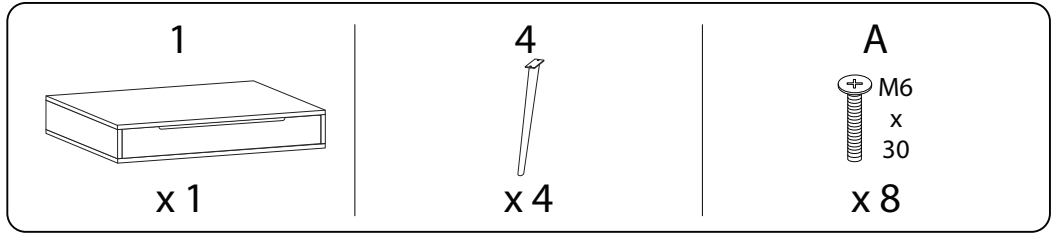
Assembly instructions for step 1/6:

- Tools:** A screwdriver is required. A power drill is not required (indicated by a diagonal line through the drill icon).
- Warning:** A warning triangle with an exclamation mark is shown.
- Time:** Estimated assembly time is 30 minutes, represented by a clock icon.
- Personnel:** Requires 2 people, represented by a person icon and the number 2.

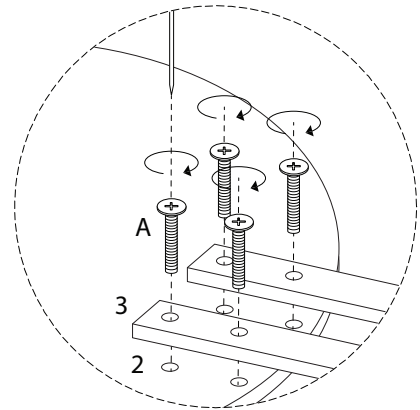
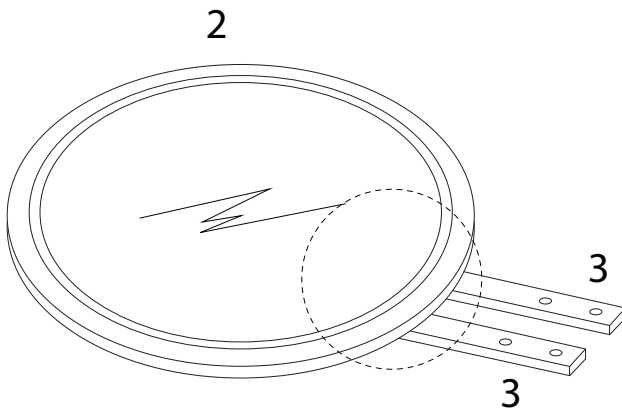
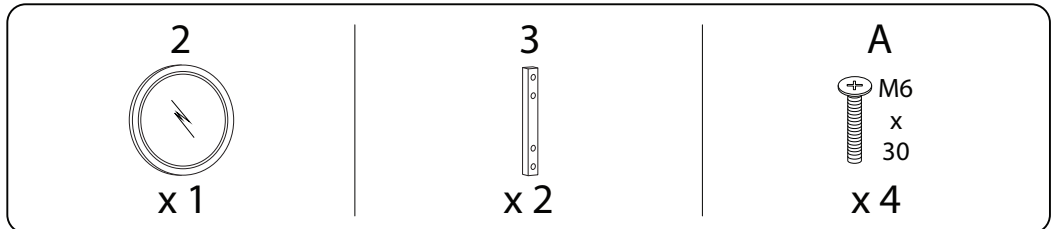




1

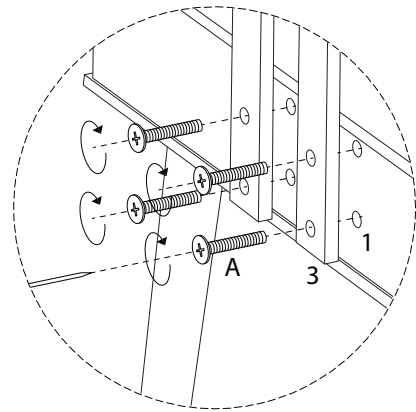
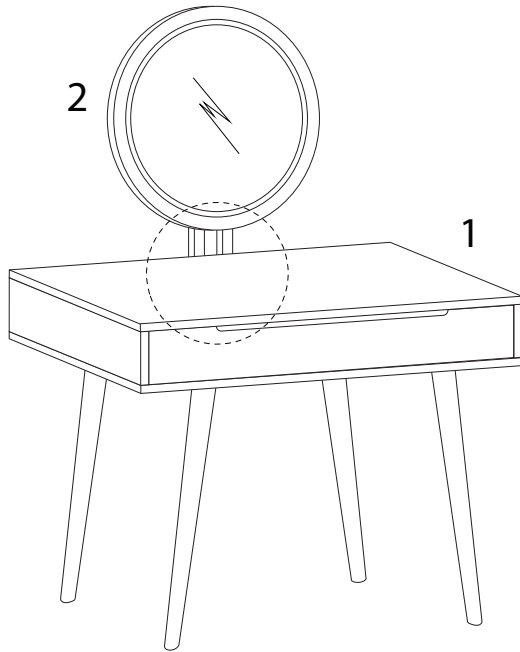


2



3

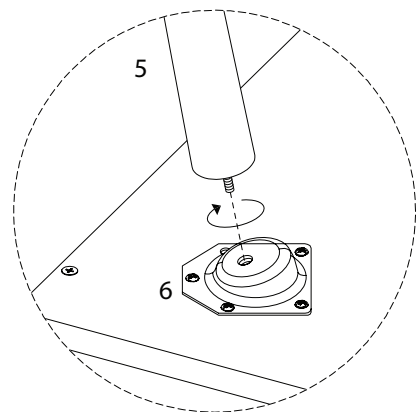
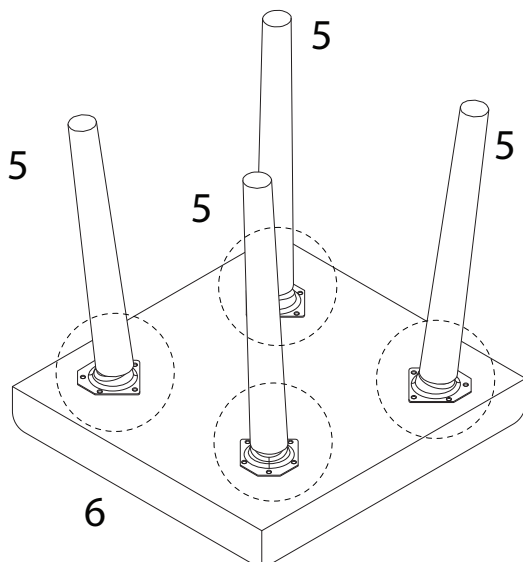
A
M6
x
30
x 4



4

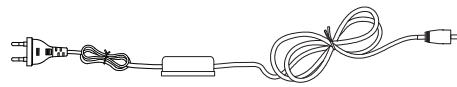
5
x 4

6
x 4

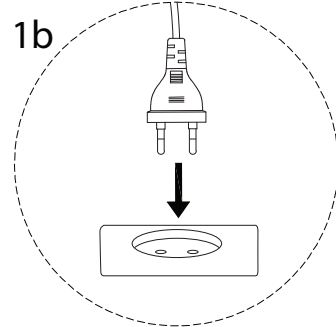
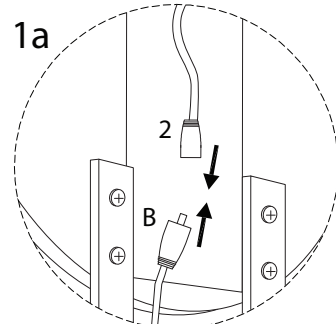
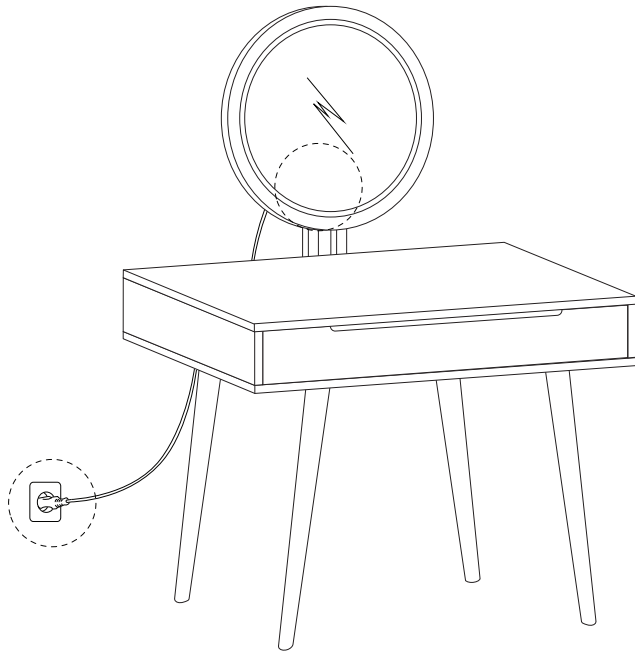


5

B



x 1



!

