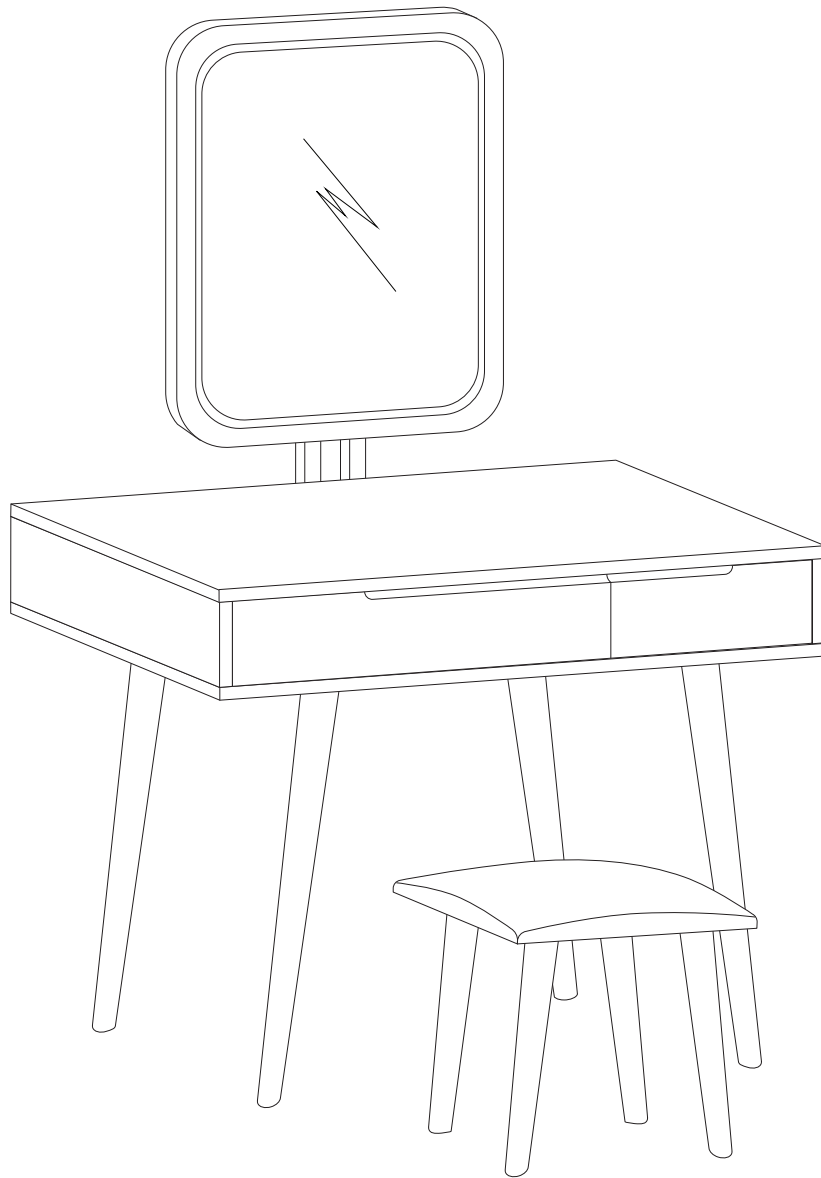
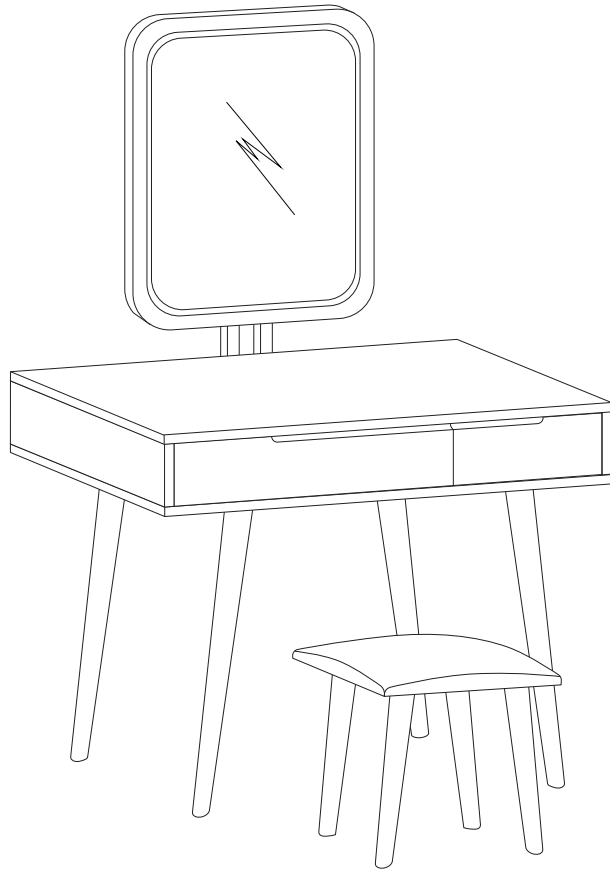


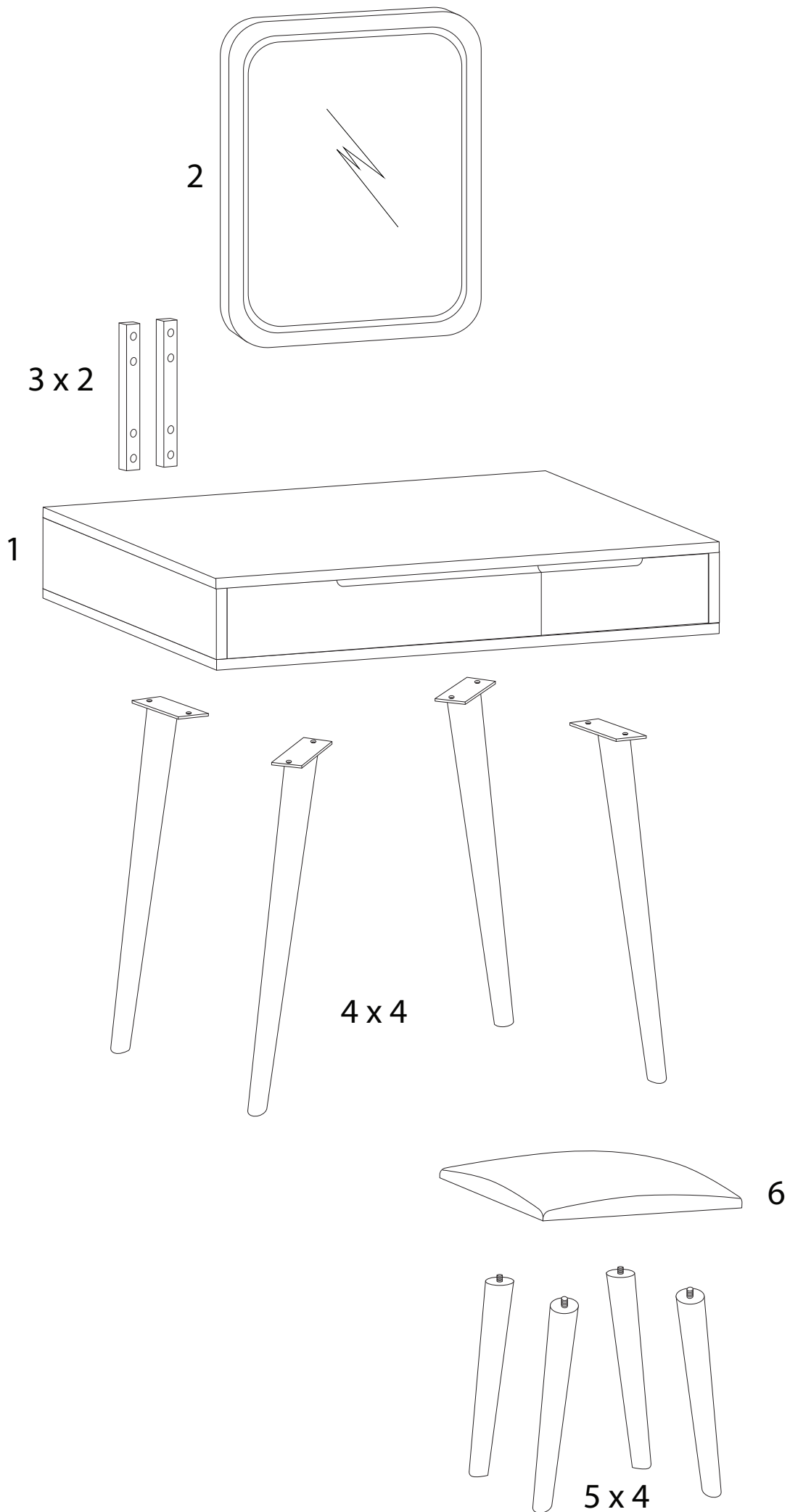
DIEPPE

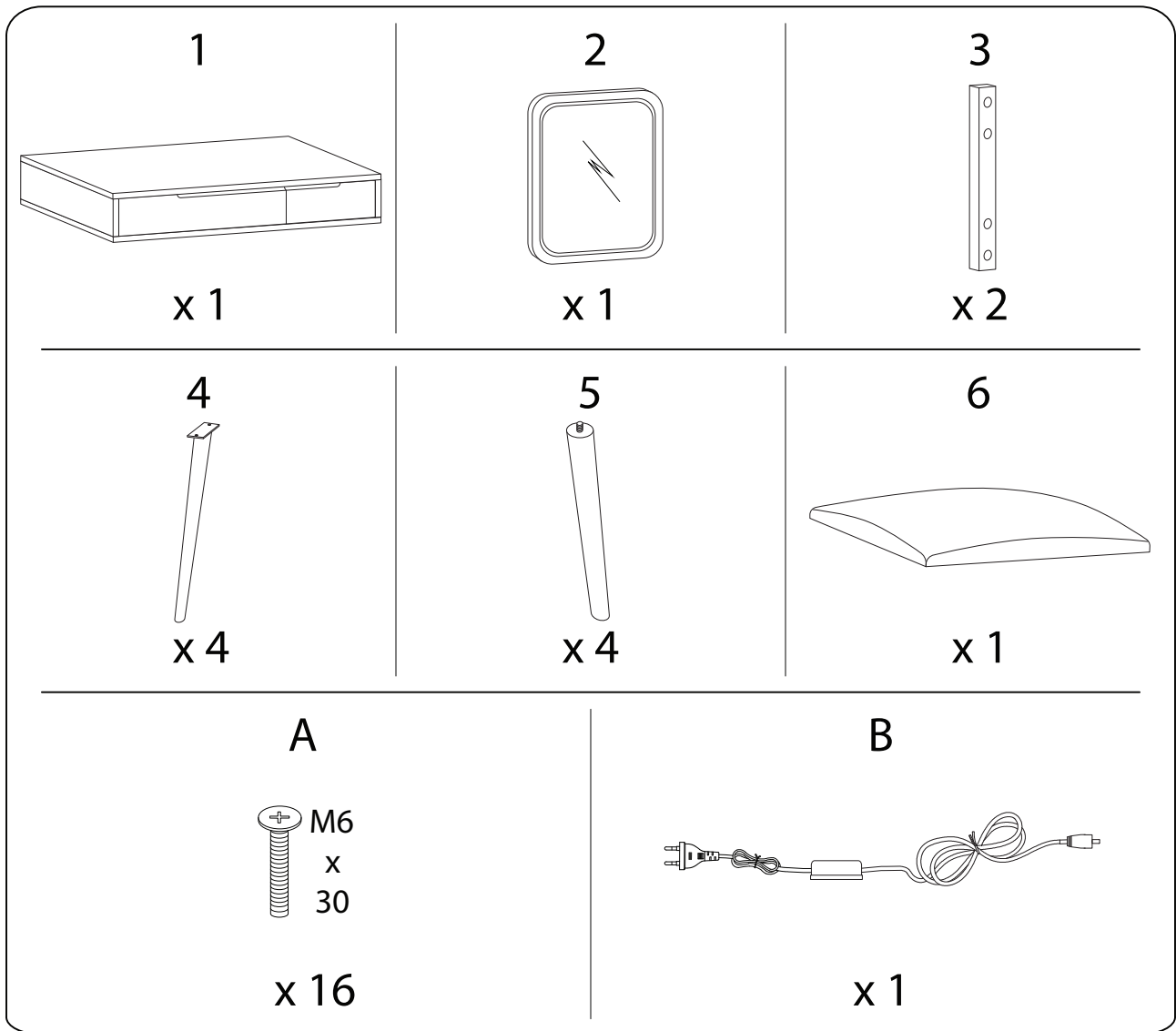




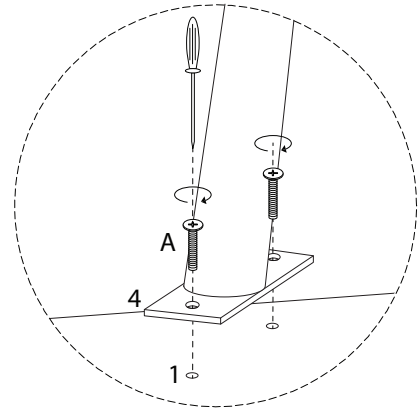
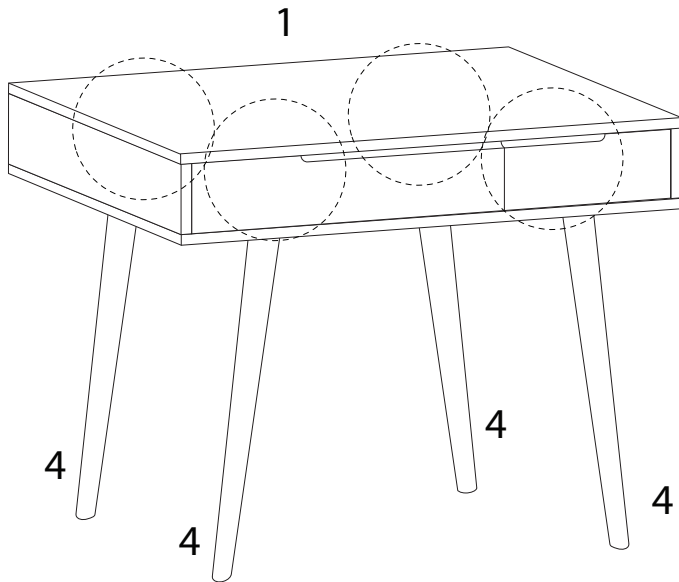
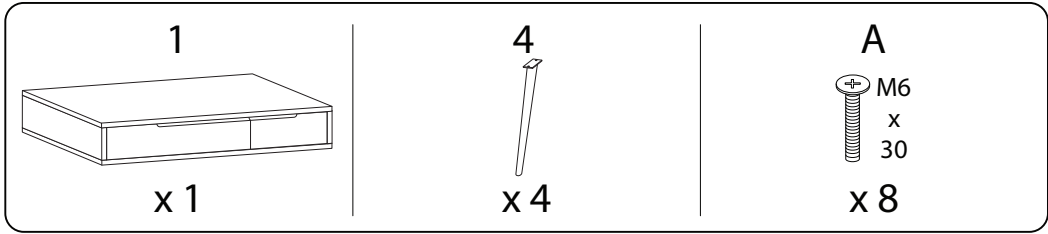
Assembly instructions for step 1/6:

- Tools:** A screwdriver is shown as the required tool. A power drill is shown with a diagonal line through it, indicating it is not to be used.
- Warning:** A warning triangle with an exclamation mark is present.
- Time:** A clock icon indicates a 30-minute assembly time.
- Personnel:** An icon of a person and the number '2' indicate that two people are required for assembly.

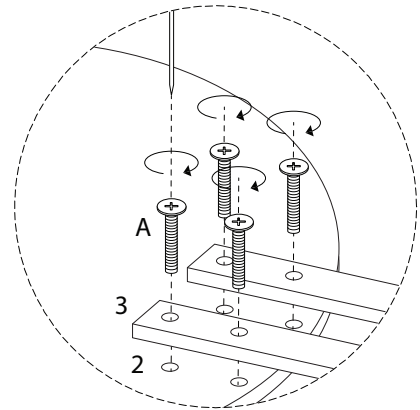
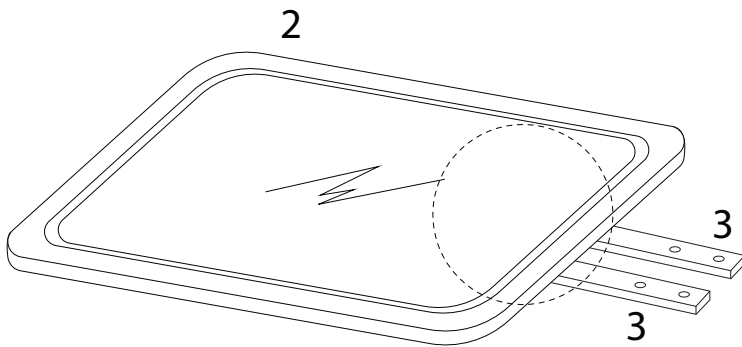
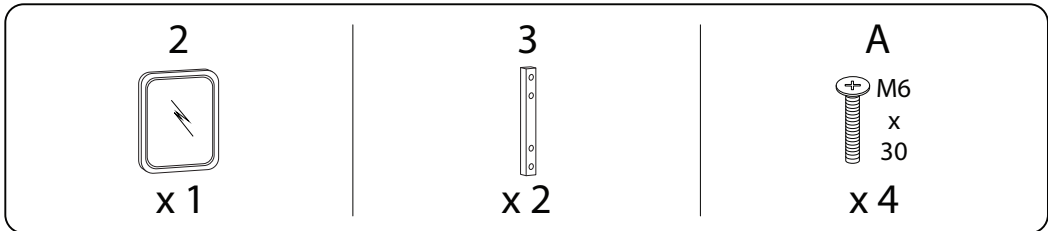




1

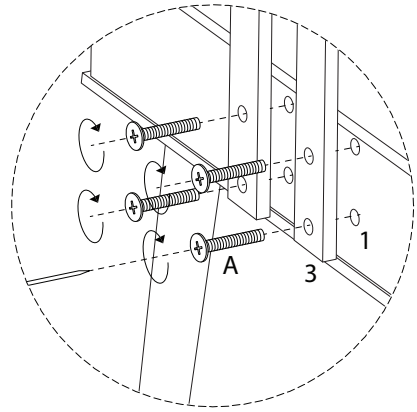
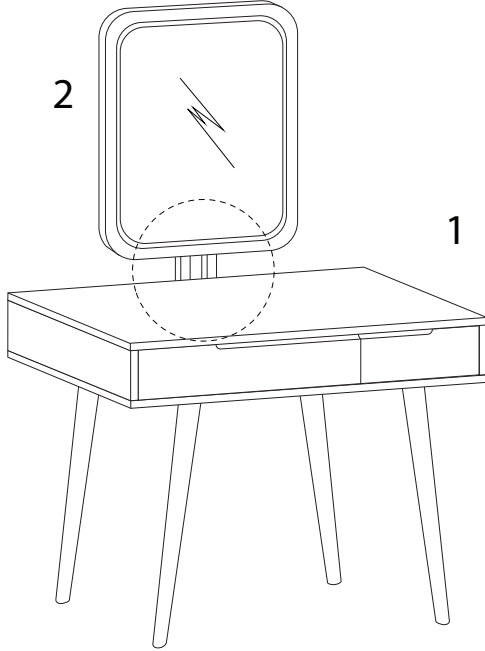


2



3

A
M6
x
30
x 4

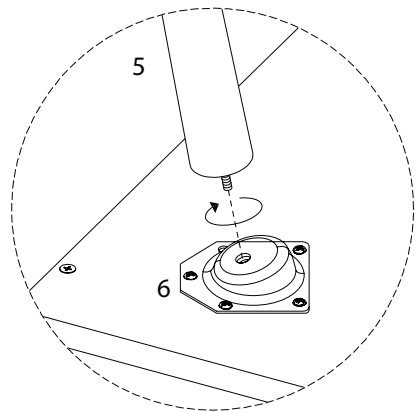
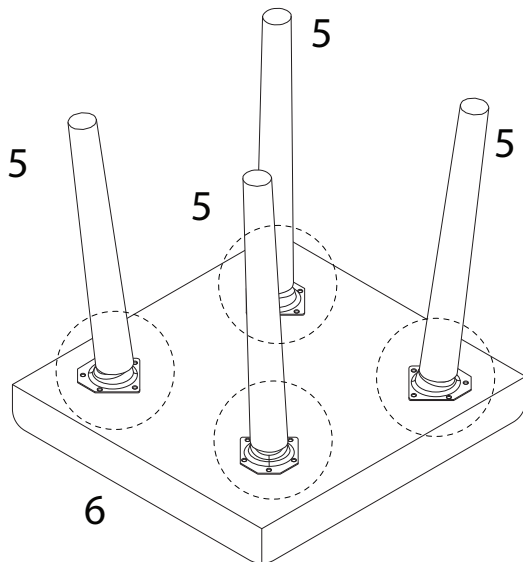


4

5
x 4

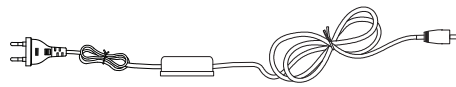
6

x 1

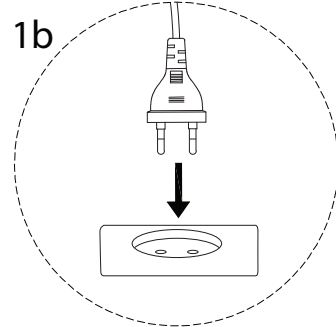
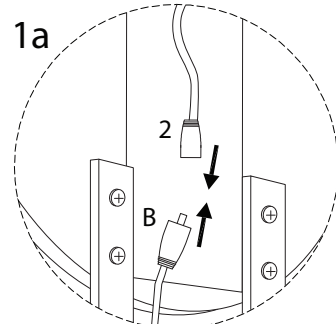
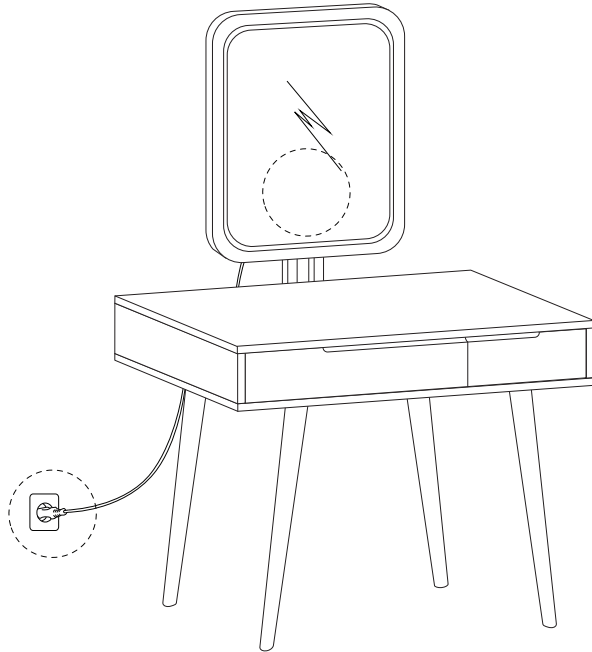


5

B



x 1



!

