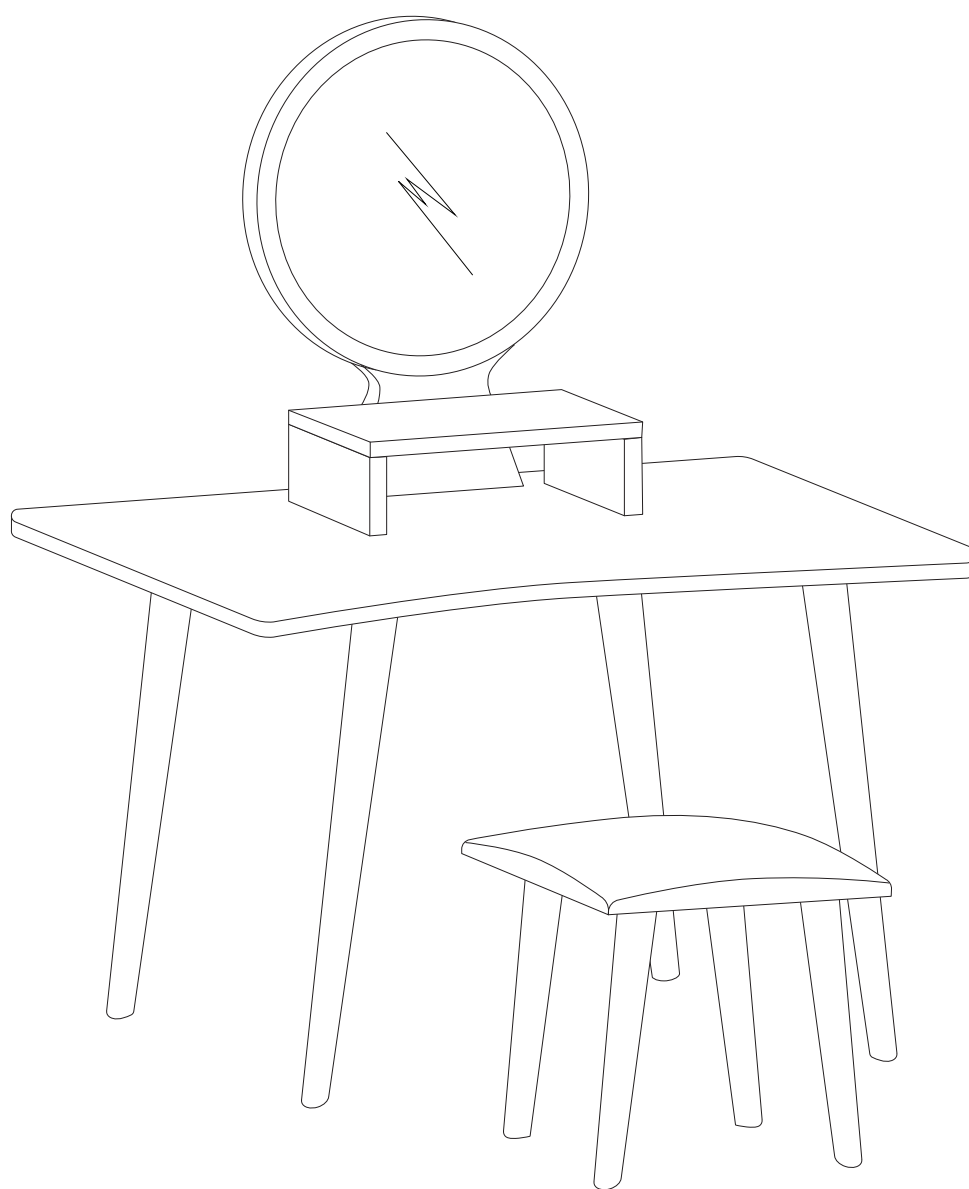
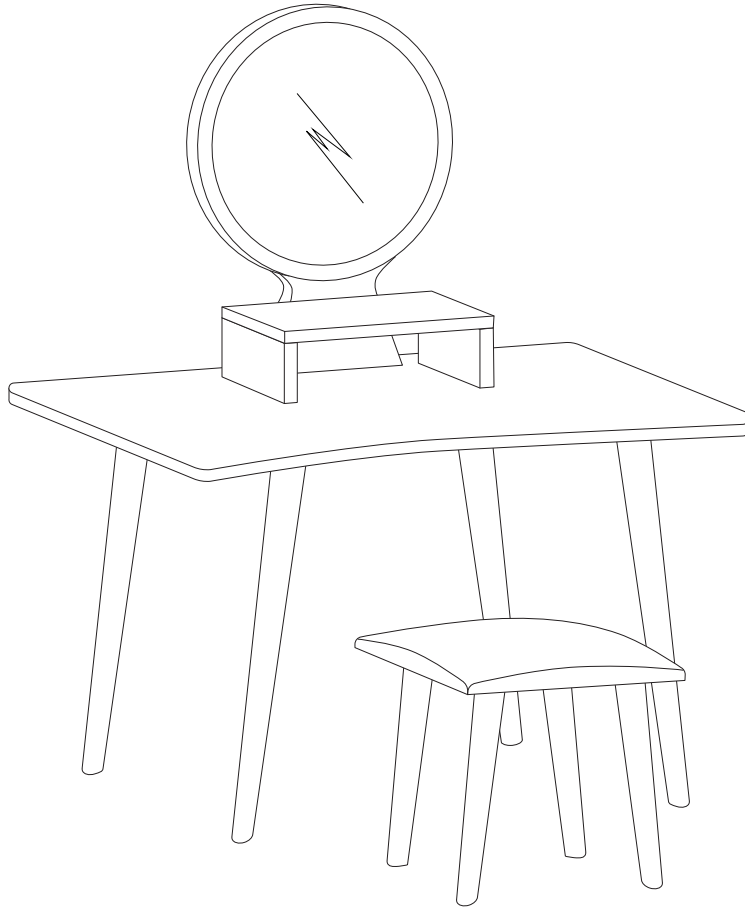


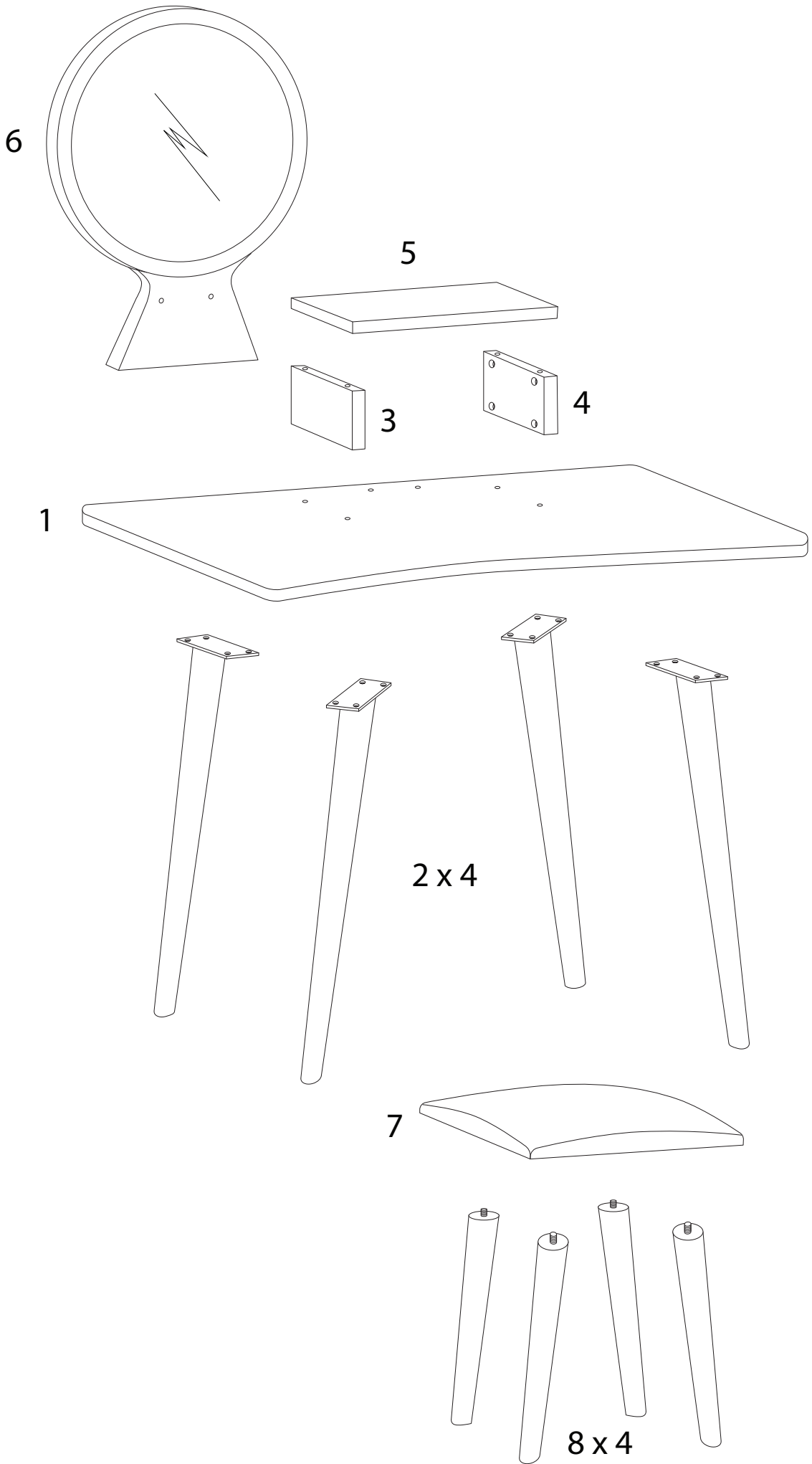
# TOULOUGES



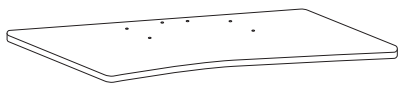


Assembly instructions for step 1/8:

- Use a screwdriver, do not use a power drill. (Icon: screwdriver in a circle, power drill with a slash through it)
- Warning: Sharp edges. (Icon: triangle with exclamation mark)
- Estimated assembly time: 30' (Icon: clock)
- Requires 2 people. (Icon: person)

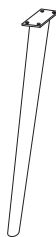


1



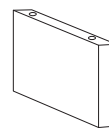
x 1

2



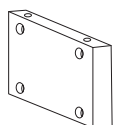
x 4

3



x 1

4



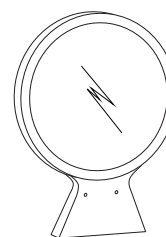
x 1

5



x 1

6



x 1

7



x 1

8



x 4

A



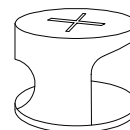
x 16

B



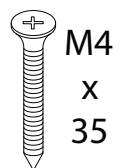
x 8

C



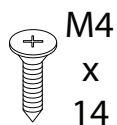
x 8

D



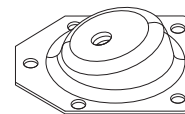
x 4

E



x 20

F



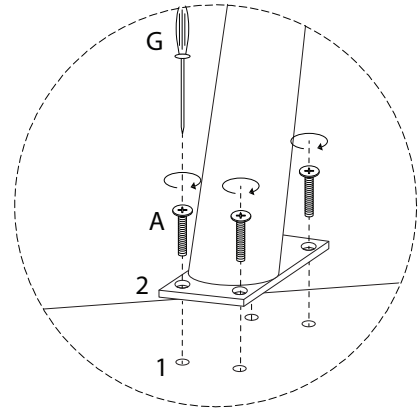
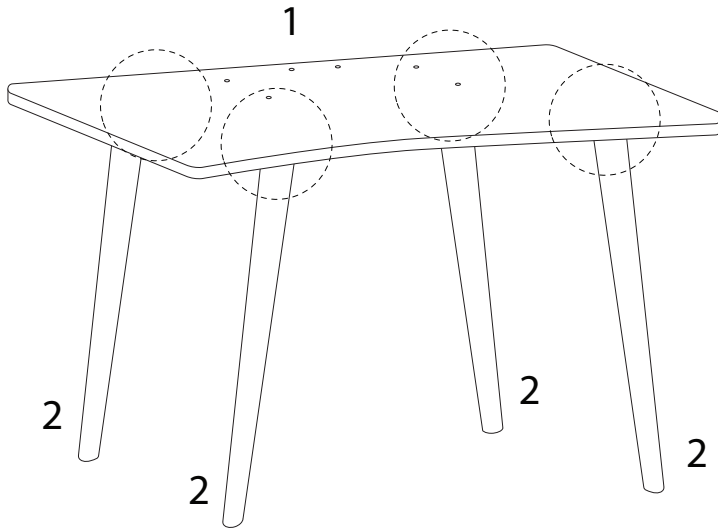
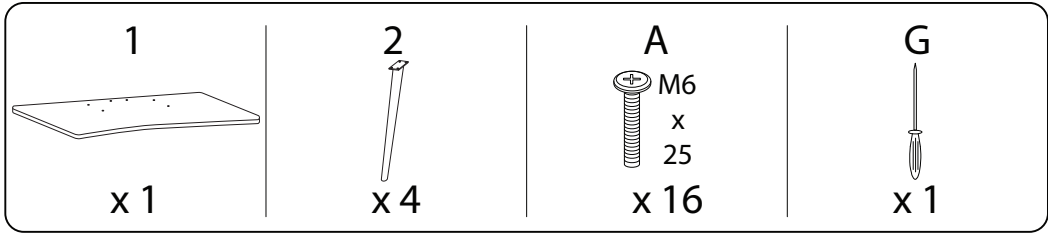
x 4

G

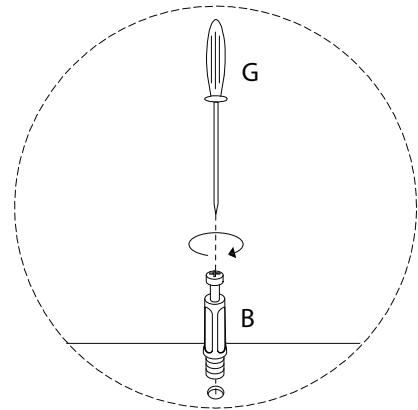
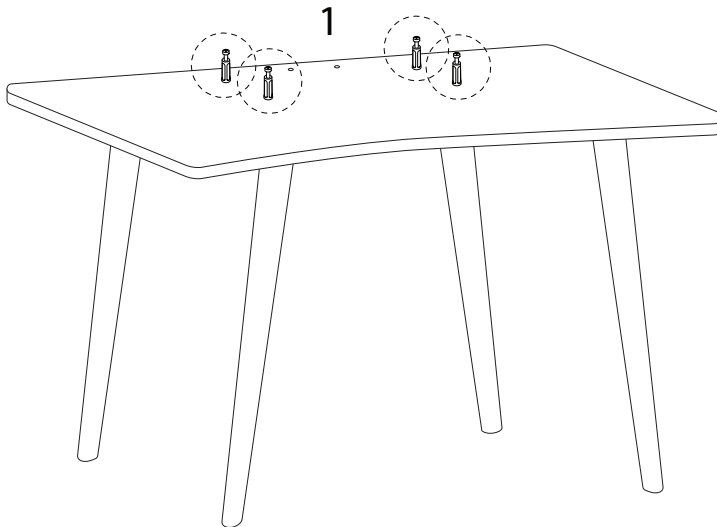
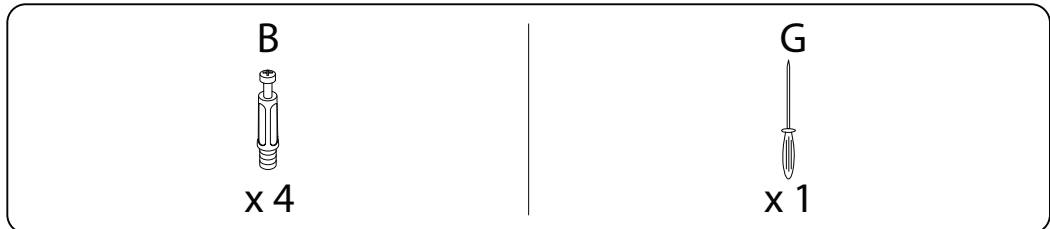


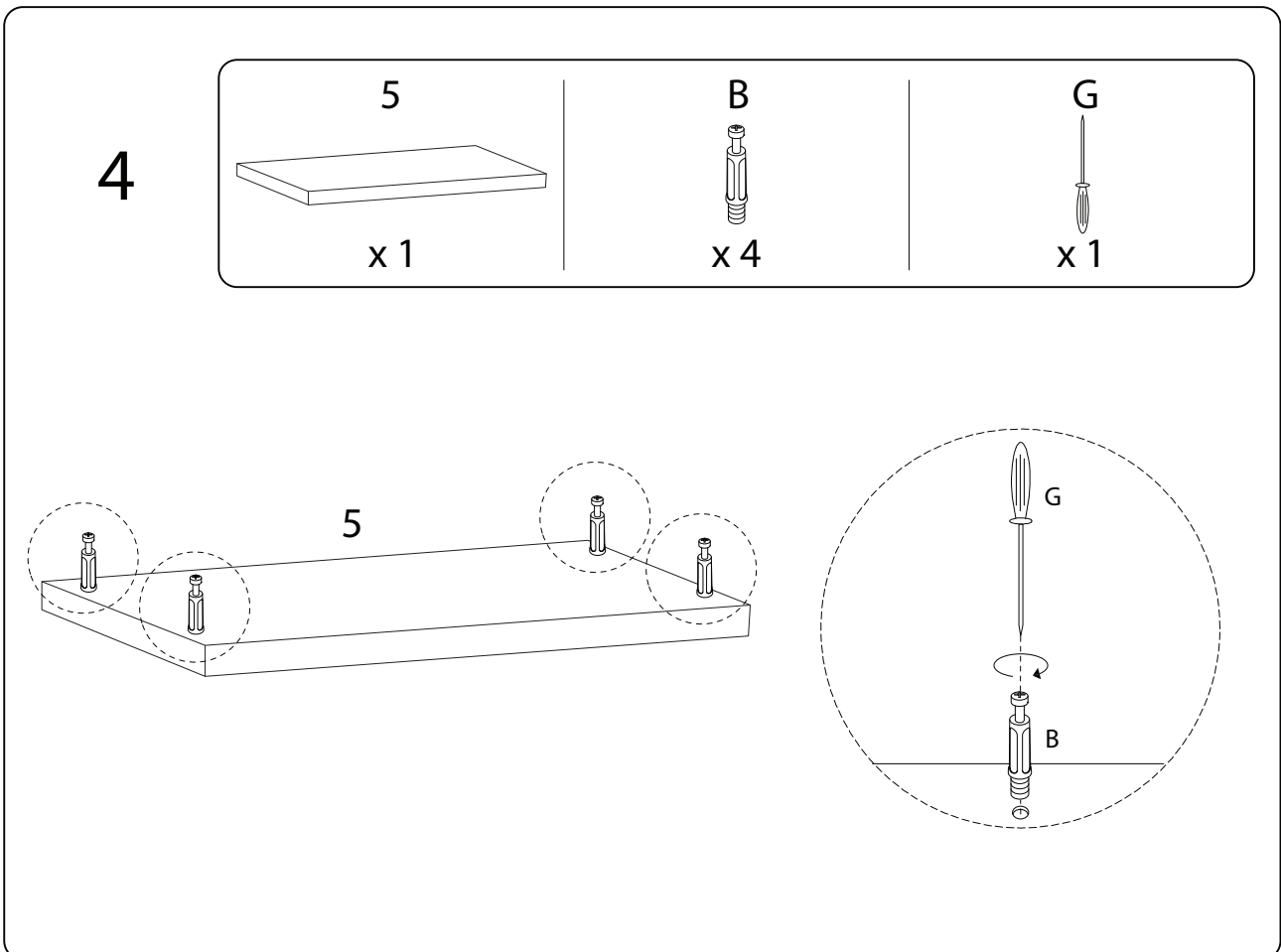
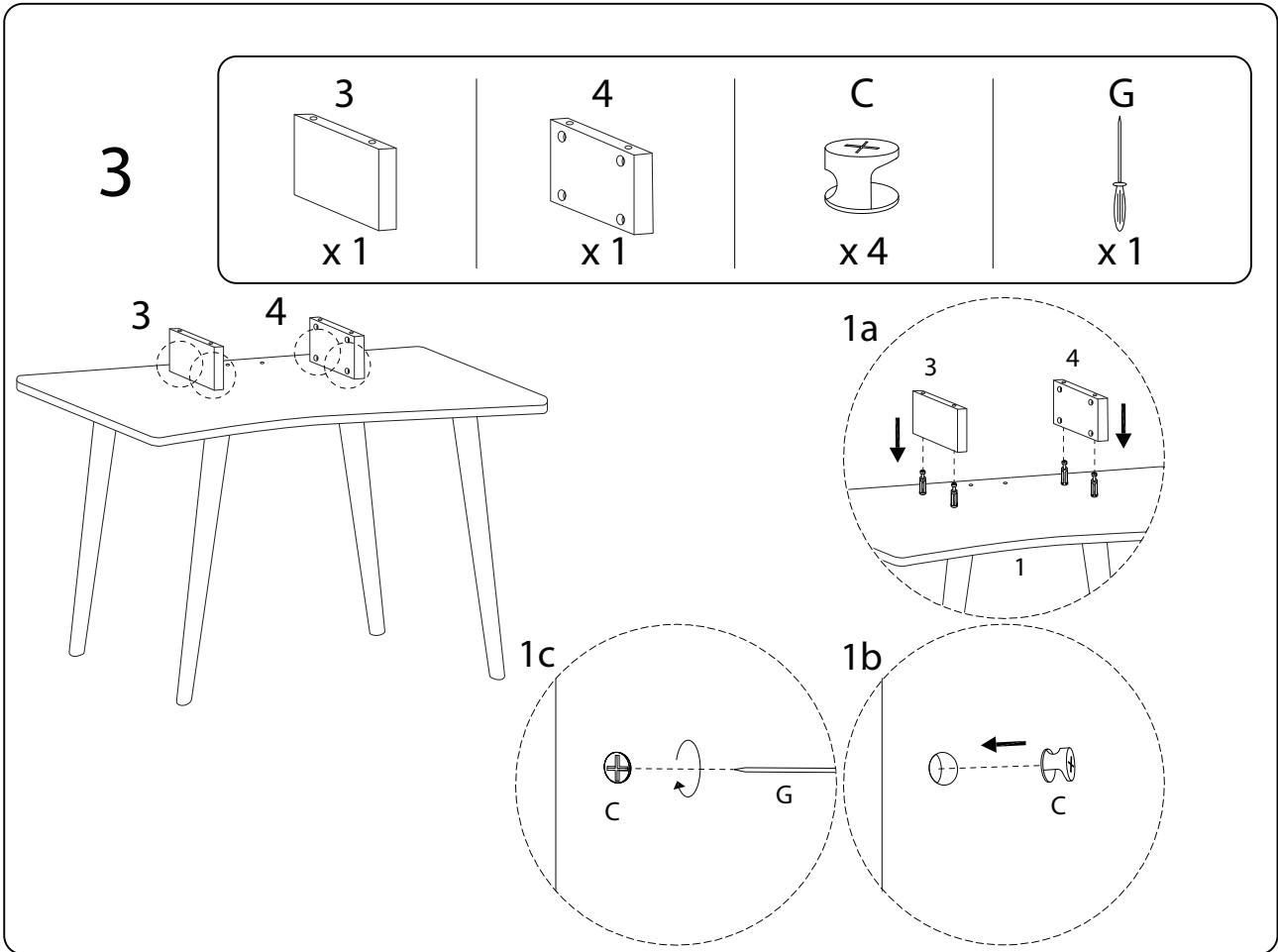
x 1

1



2





5

C

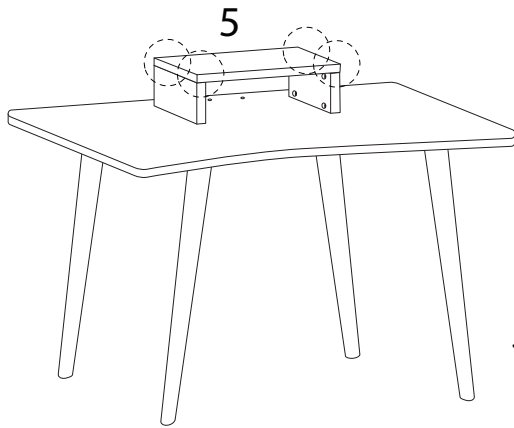


x 4

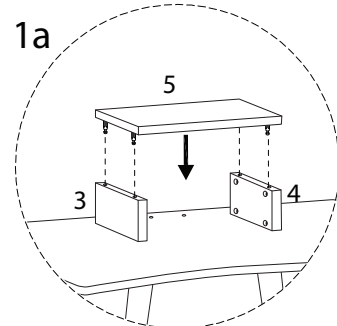
G



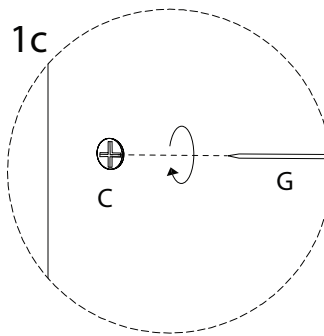
x 1



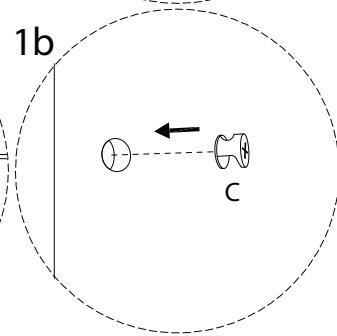
1a



1c



1b



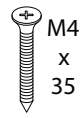
6

6



x 1

D

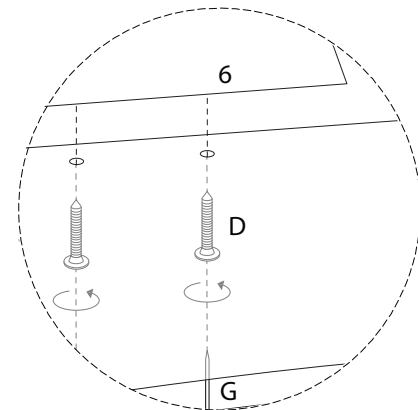
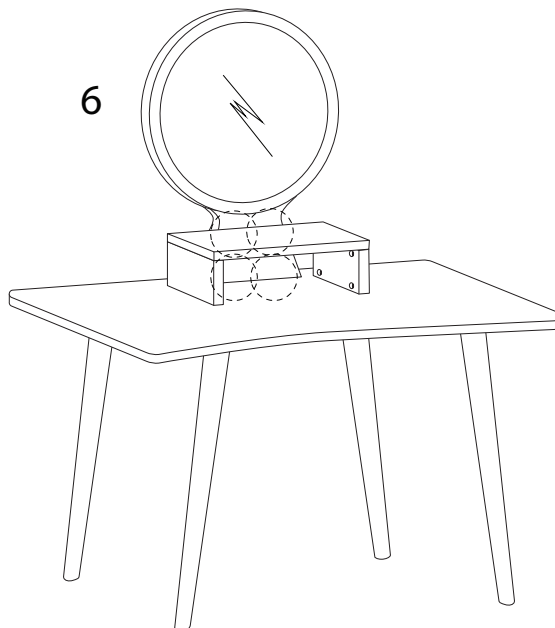


x 4

G



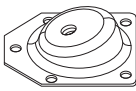



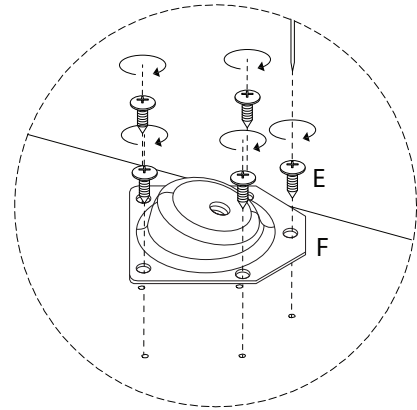
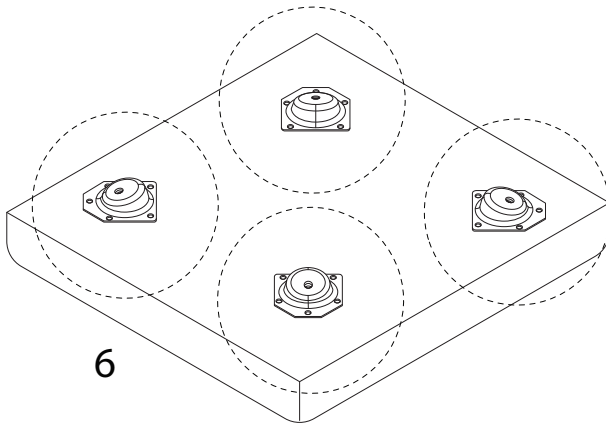
x 1






7

<p>7</p>  <p>x 1</p>	<p>E</p>  <p>M4 x 14</p> <p>x 20</p>	<p>F</p>  <p>x 4</p>	<p>G</p>  <p>x 1</p>
---	---	--	---



8

<p>8</p>  <p>x 4</p>
---

