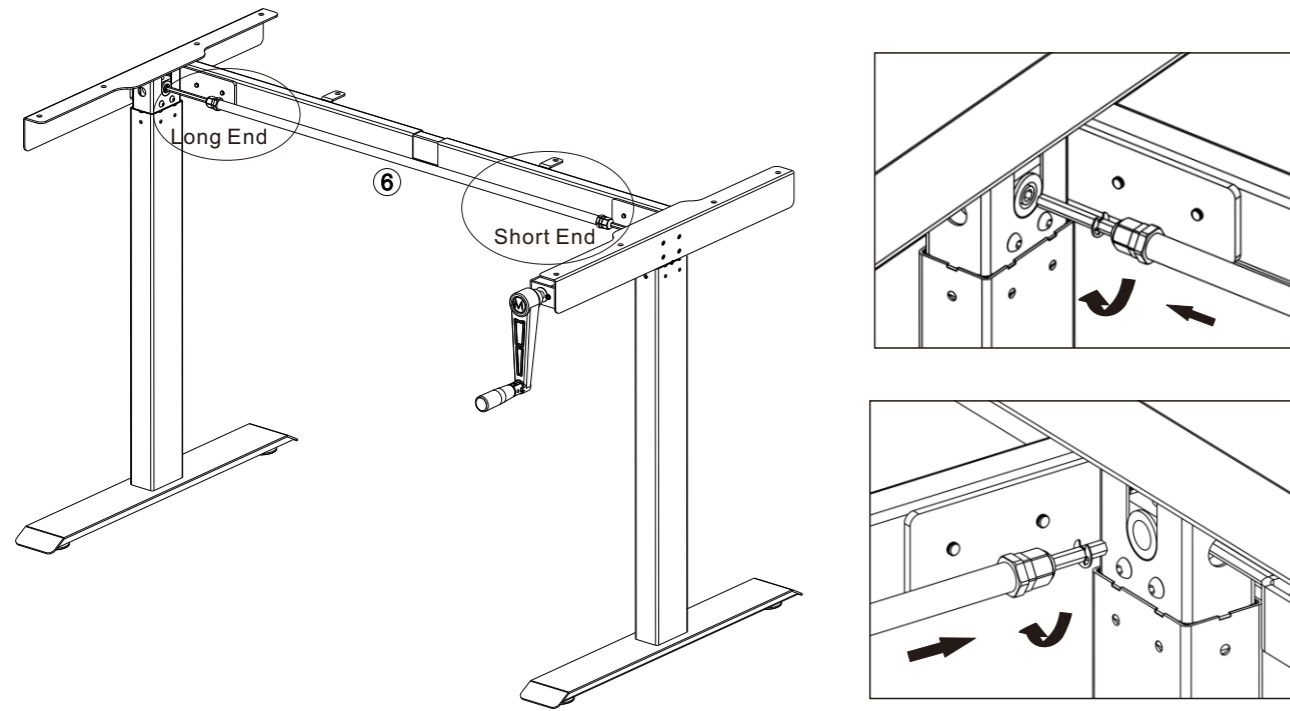


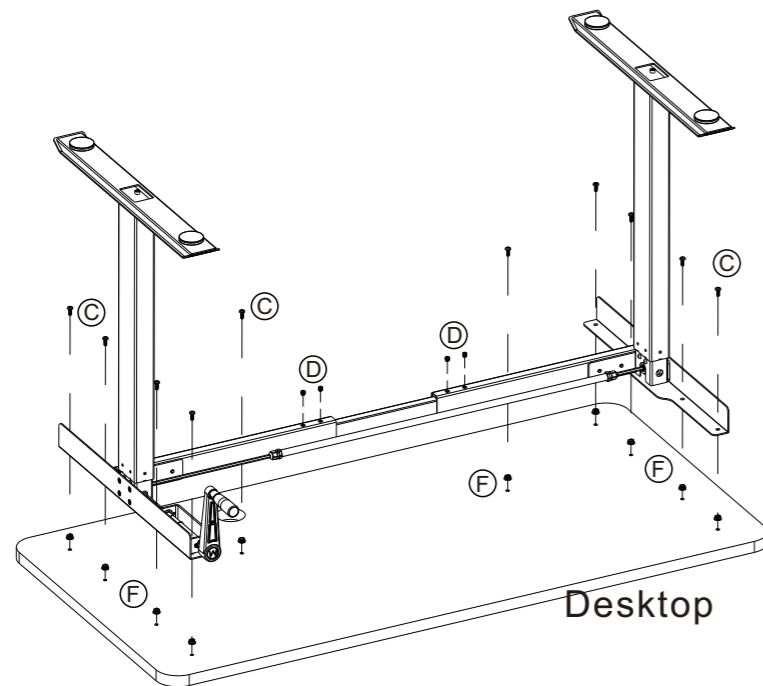
### STEP 3:



⑦ Motor Rod \*1

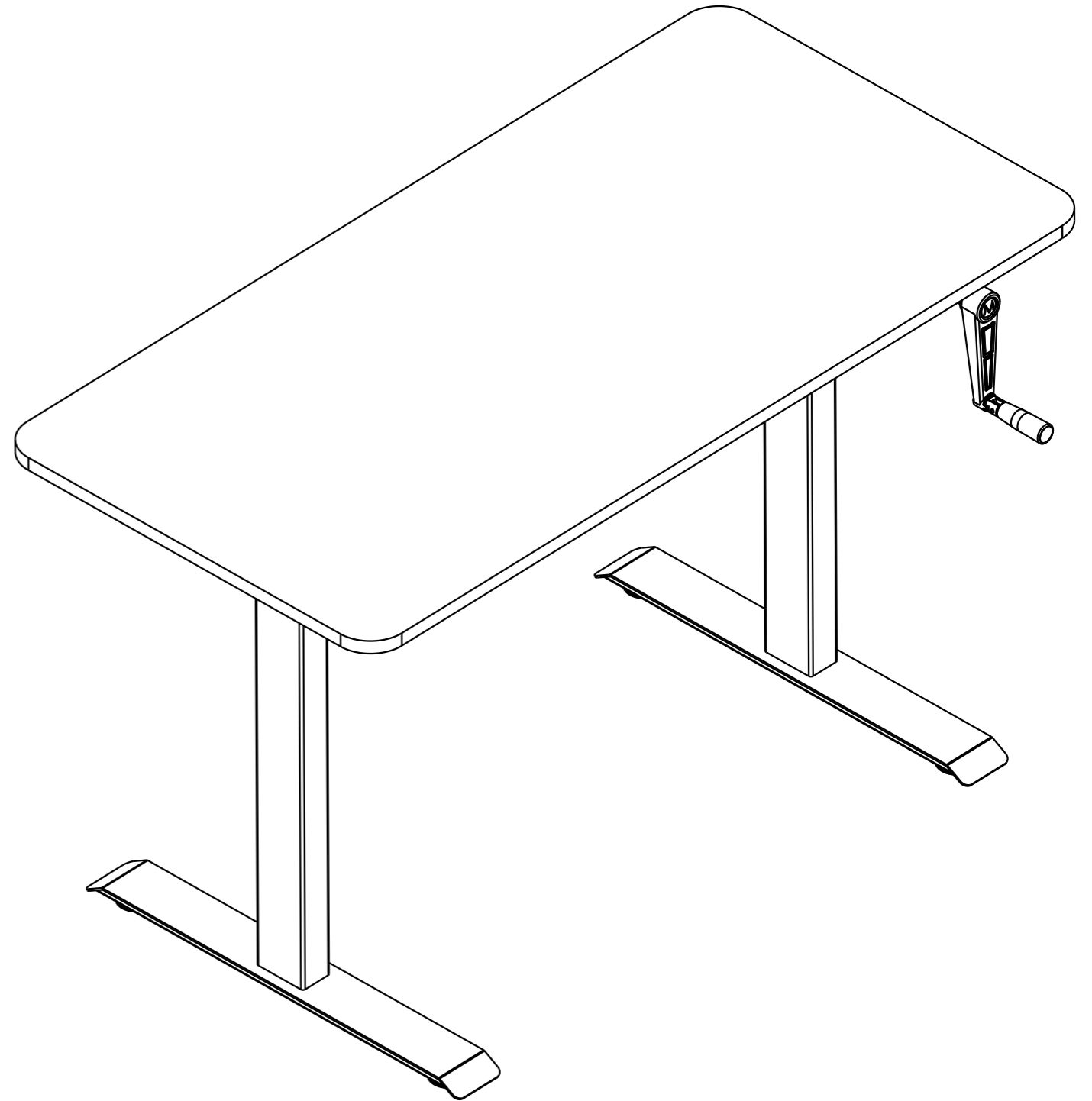
Please fix short end of motor rod with Lift Column B.

### STEP 4:



© M5×18 Screws \*10  
ⓓ M8×10 Screws \*4  
ⓕ Washers \*10

# Assembly Instruction



**-Office Desk  
-Manual Lifting Table**

## Installation tips

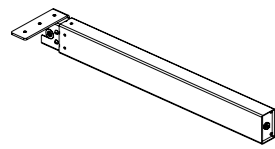


Please don't tighten the screws completely and go back later for a final tightening of all the screws after pieces are aligned with each other .

Lay a mat or old blanket out to assemble onto so the floor and the furniture doesn't get scratched or damaged during building.

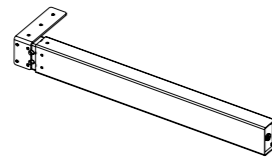
## Part List

①



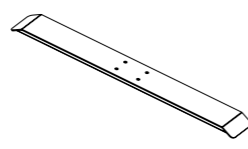
Lift Column A\*1

②



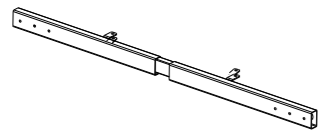
Lift Column B\*1

③



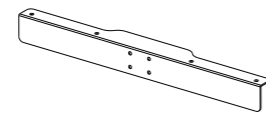
Base\*2

④



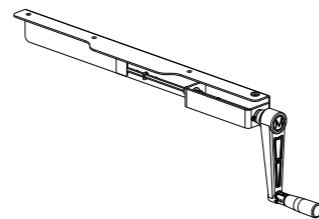
Frame\*1

⑤



Side Bracket A\*1

⑥



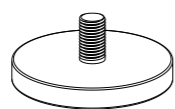
Side Bracket B\*1

⑦



Motor Rod\*1

⑧



Leveling Studs\*4

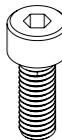
## Accessory Kit

Ⓐ



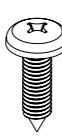
Qty \*8  
M6×8  
Screws

Ⓑ



Qty \*8  
M6×16  
Screws

Ⓒ



Qty \*10  
M5×18  
Screws

Ⓓ



Qty \*4  
M8×10  
Screws

Ⓔ



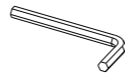
Qty \*6  
M6×8  
Screws

Ⓕ



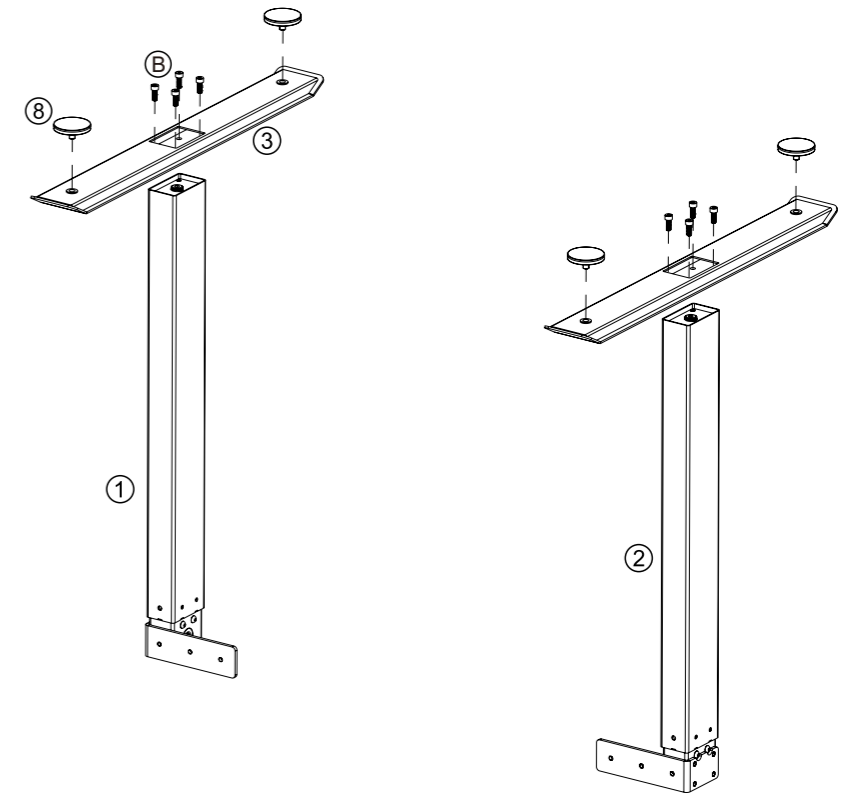
Qty \*10  
Washers

Ⓖ



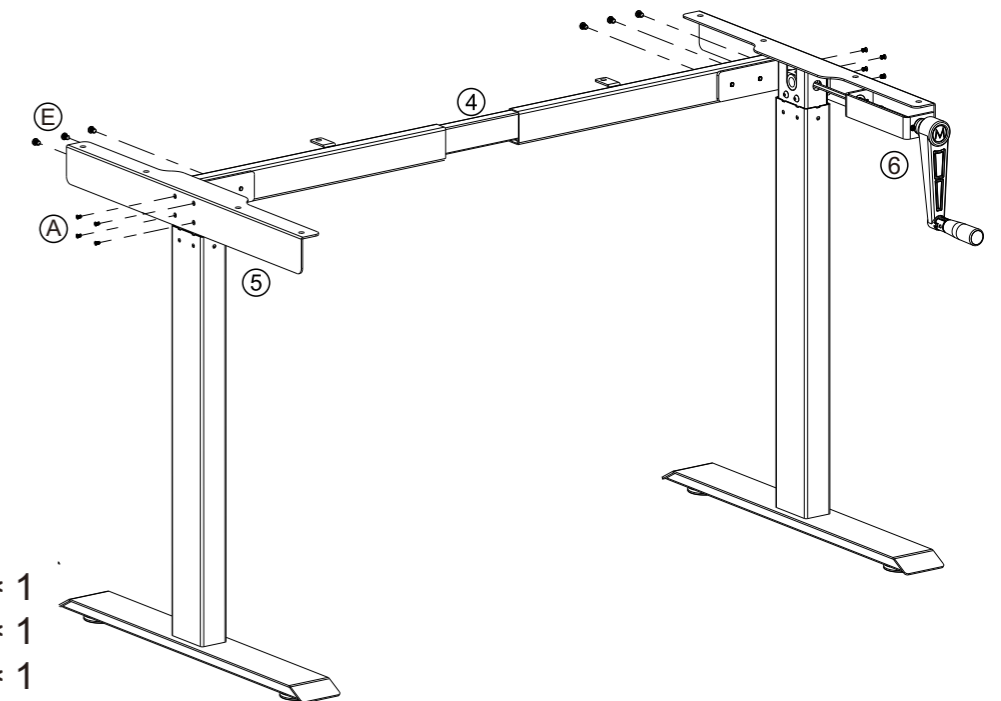
4mm  
Allen  
Wrench

## STEP 1:



- ① Lift Column A \*1
- ② Lift Column B \*1
- ③ Base \*2
- Ⓢ Leveling Studs \*4
- ⓑ M6×16 Screws \*8

## STEP 2:



- ④ Frame \*1
- ⑤ Side Bracket A \*1
- ⑥ Side Bracket B \*1
- Ⓐ M6×8 Screws \*8
- Ⓔ M6×8 Screws \*6