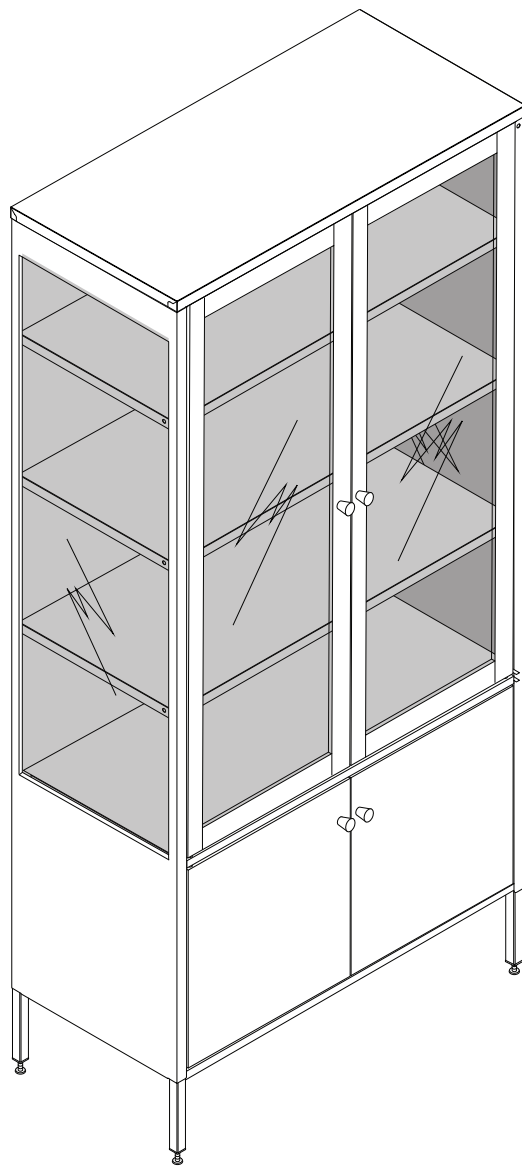
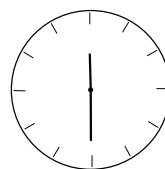
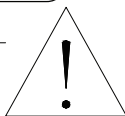
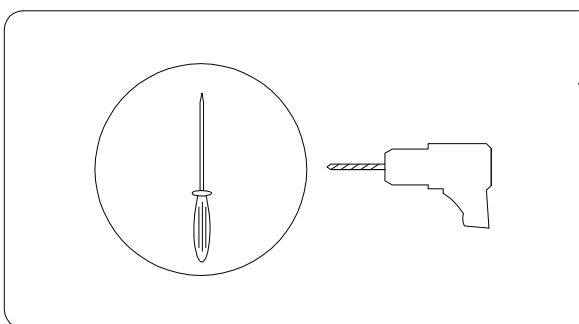
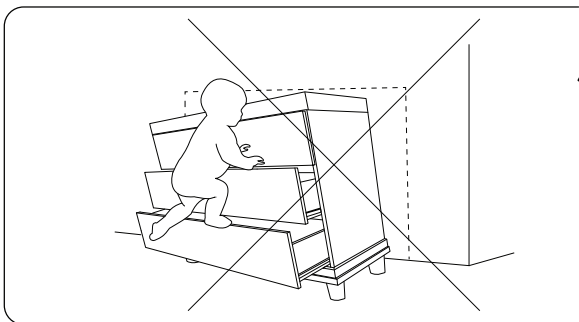
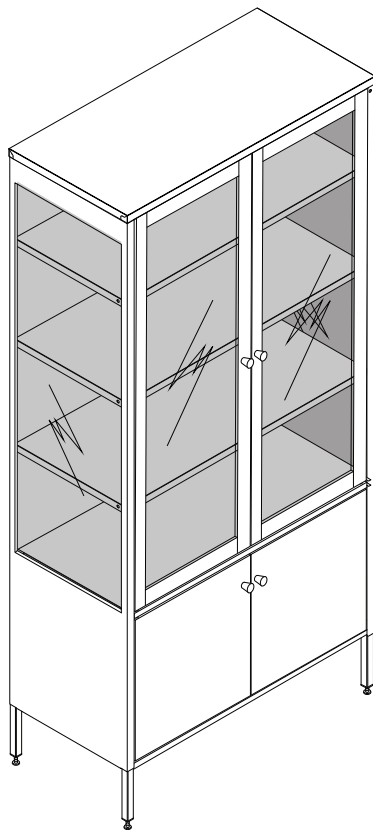
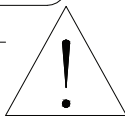
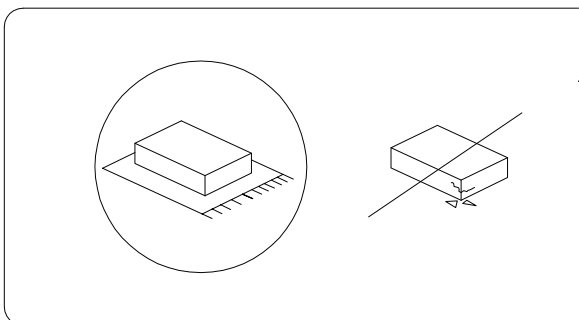


OXTED

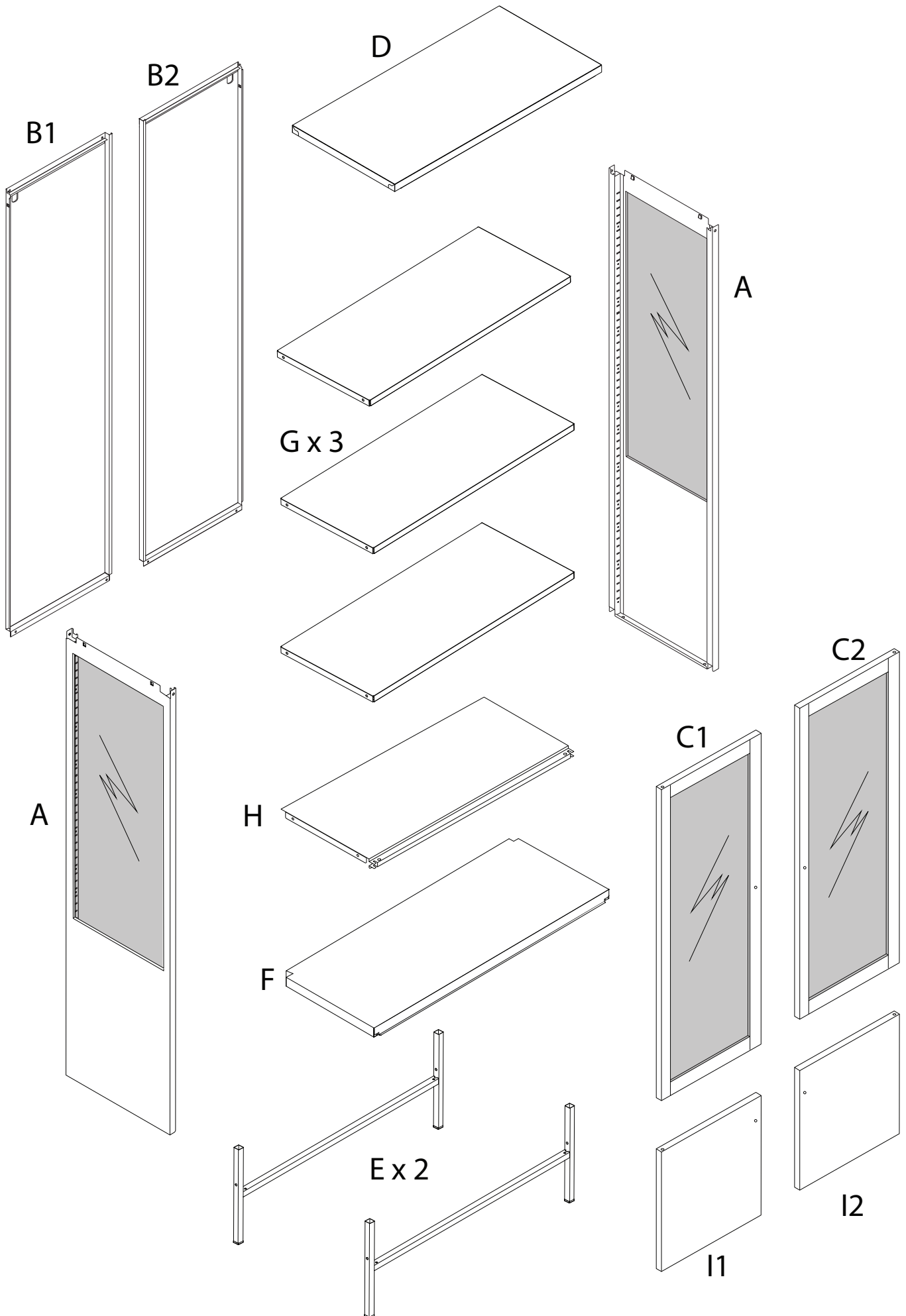




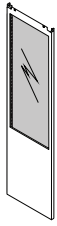
30'



2



A



x 2

B1



x 1

B2



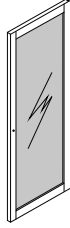
x 1

C1



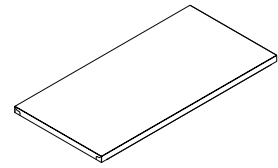
x 1

C2



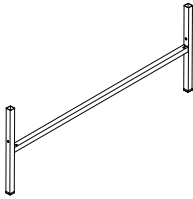
x 1

D



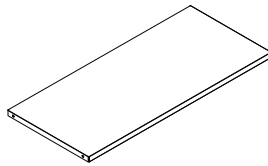
x 1

E



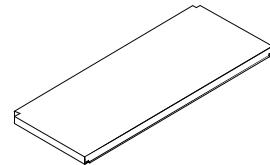
x 2

F



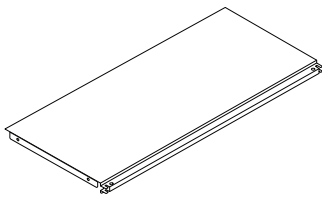
x 1

G



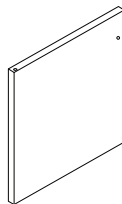
x 3

H



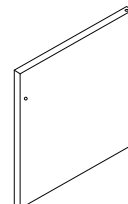
x 1

I1


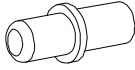
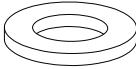


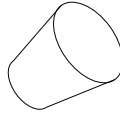

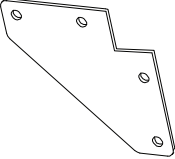
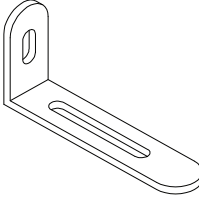
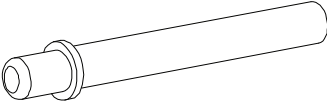

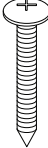


x 1

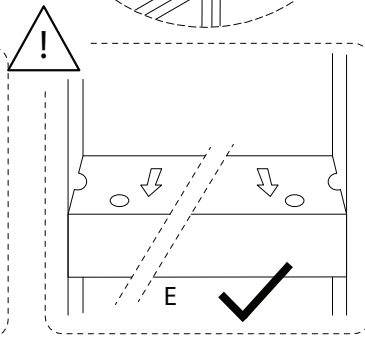
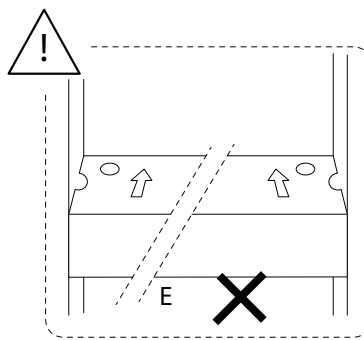
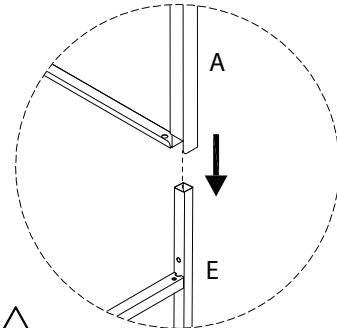
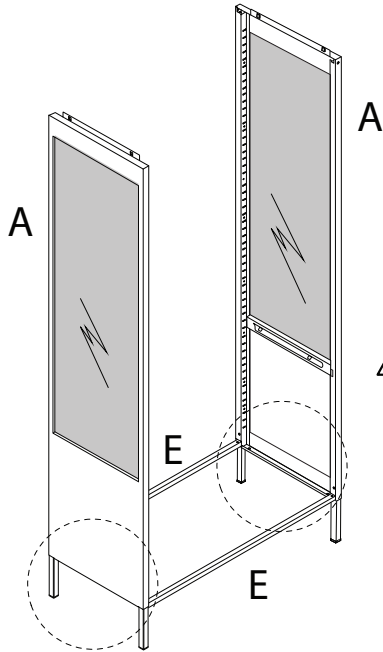
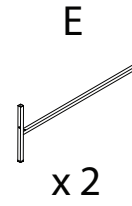
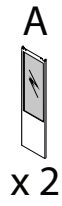
I2



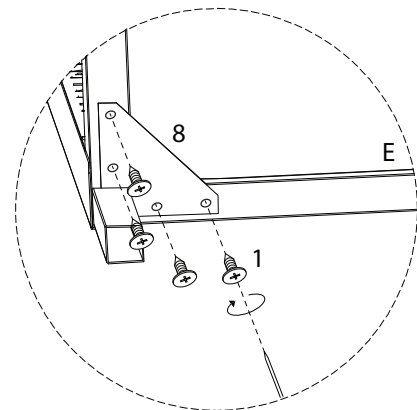
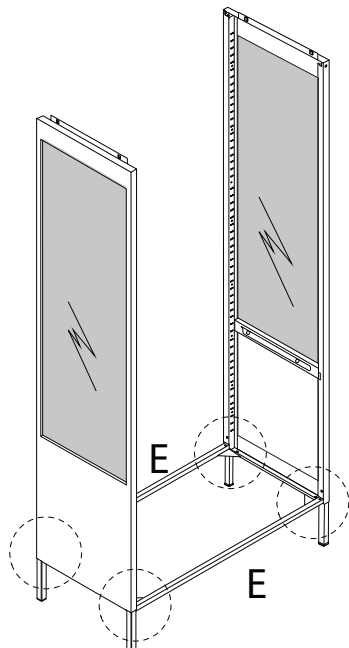
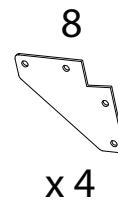
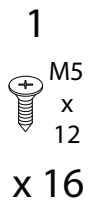
x 1

<p>1</p>  <p>M5 x 12</p> <p>x 37</p>	<p>2</p>  <p>x 2</p>	<p>3</p>  <p>Ø12</p> <p>x 4</p>
<p>4</p>  <p>M4 x 6</p> <p>x 4</p>	<p>5</p>  <p>Ø9</p> <p>x 4</p>	<p>6</p>  <p>x 4</p>
<p>7</p>  <p>x 12</p>	<p>8</p>  <p>x 4</p>	<p>9</p>  <p>x 2</p>
<p>10</p>  <p>x 2</p>	<p>11</p>  <p>x 2</p>	<p>12</p>  <p>M4 x 38</p> <p>x 2</p>

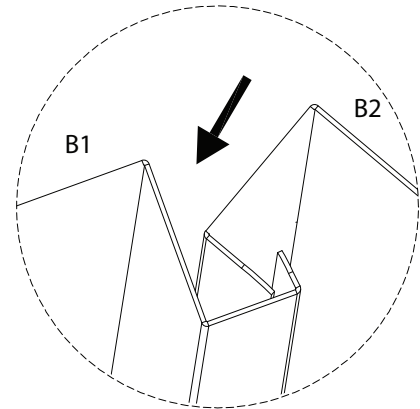
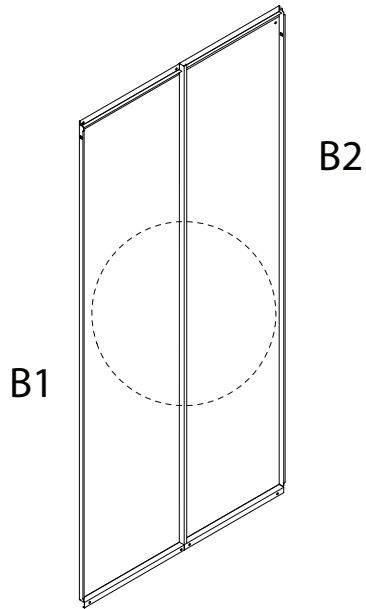
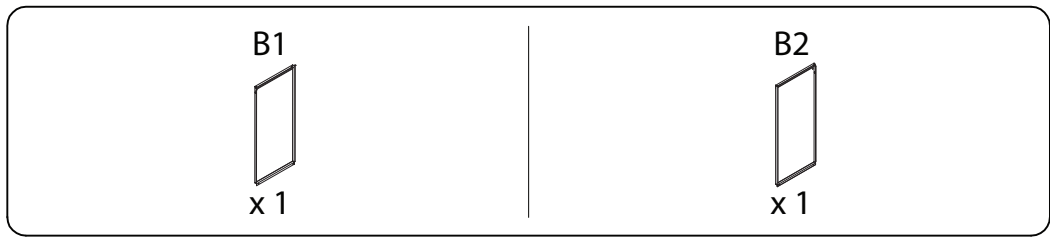
1



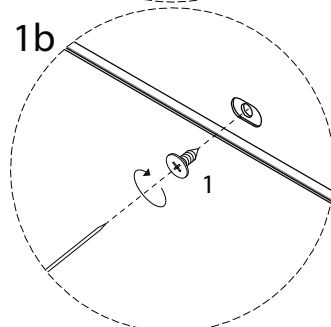
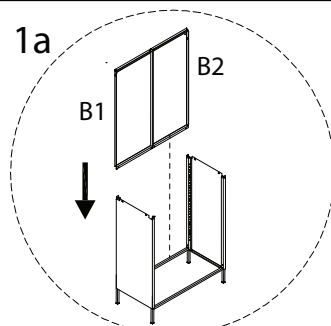
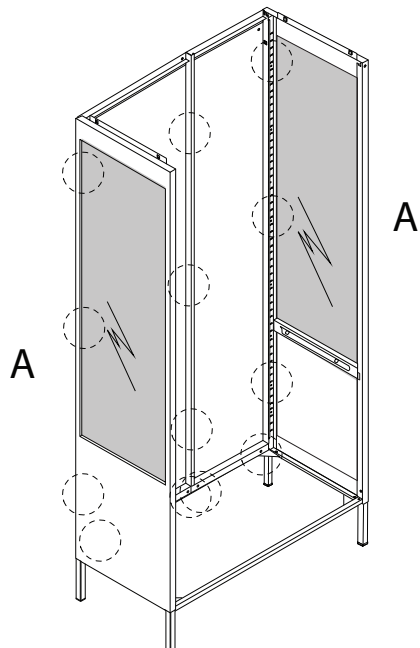
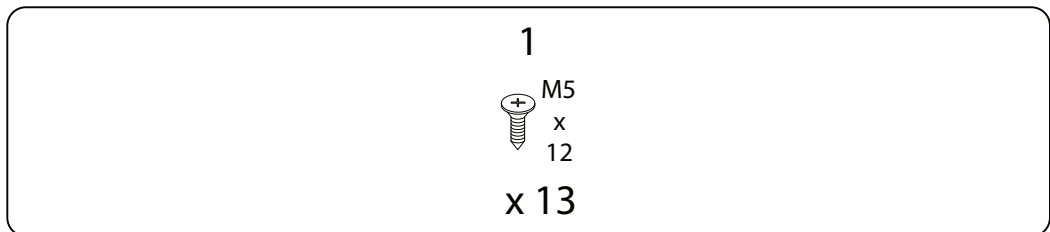
2



3

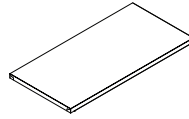


4

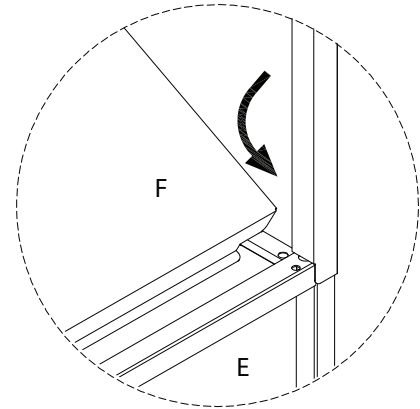
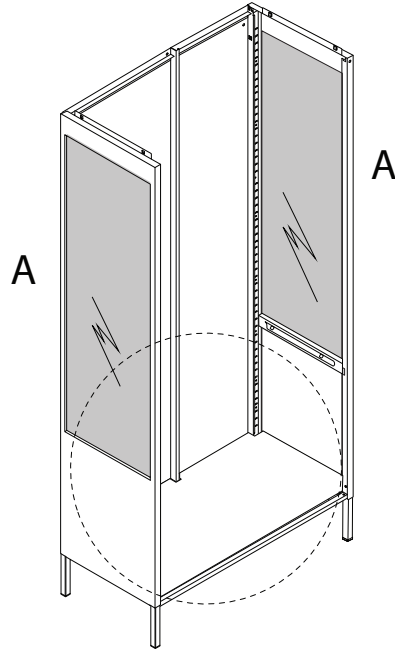


5

F

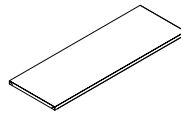


x1

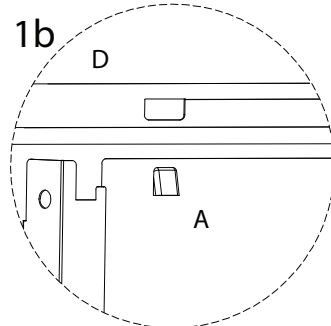
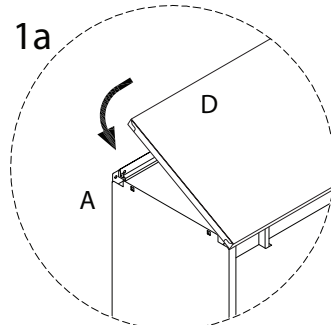
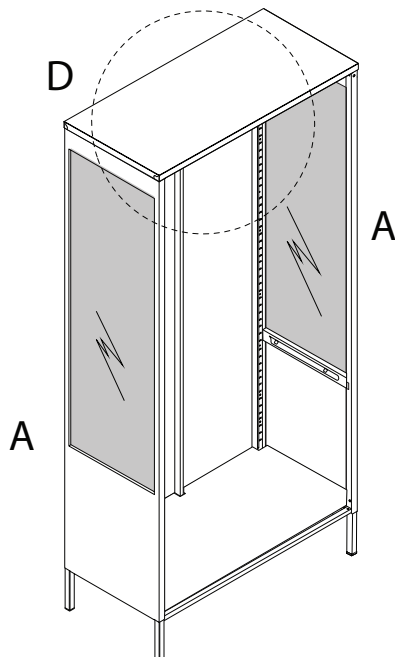


6

D



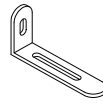
x1



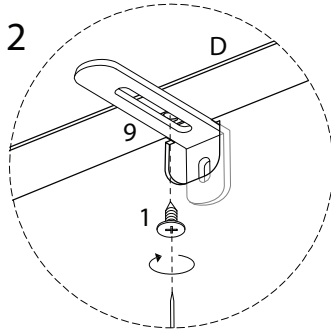
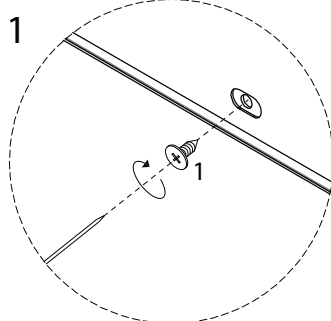
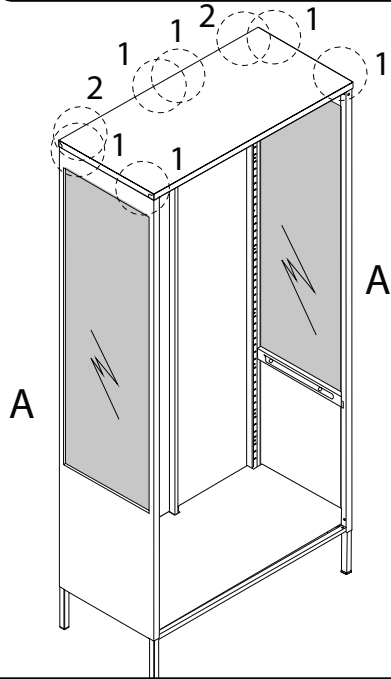
7

1
M5
x
12
x 8

9

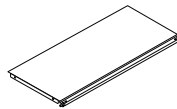


x 2

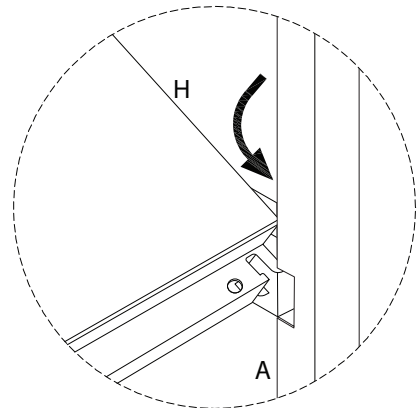
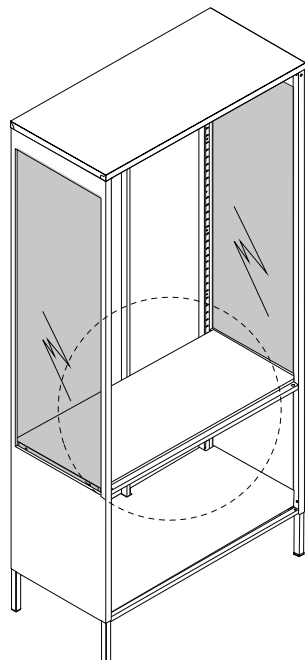


8

H

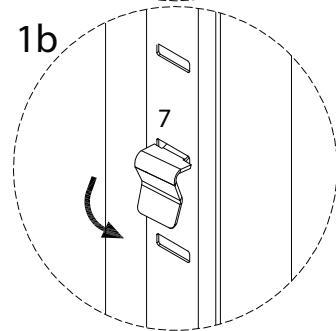
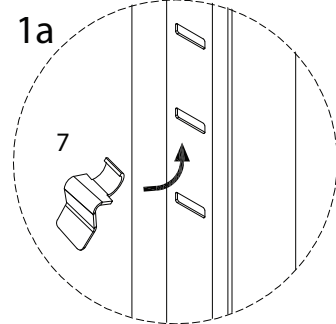
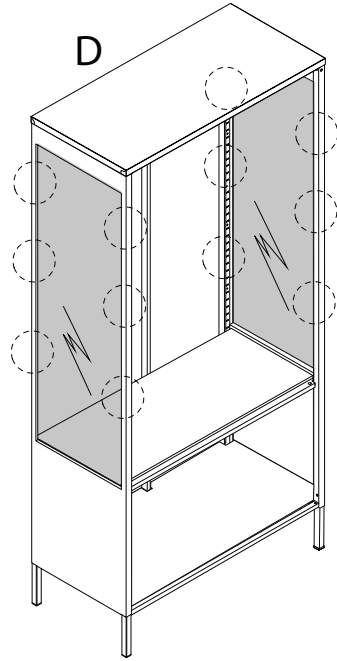


x 1



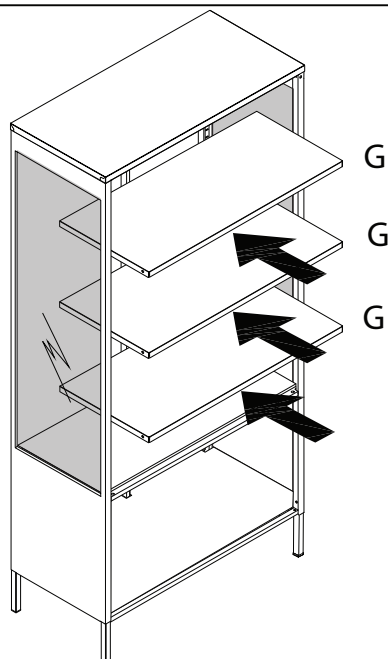
9

7
x 12

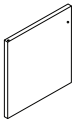
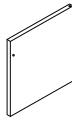


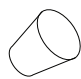


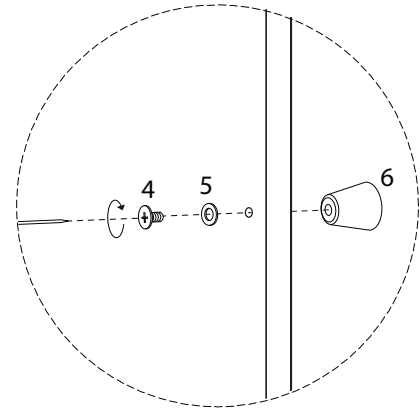
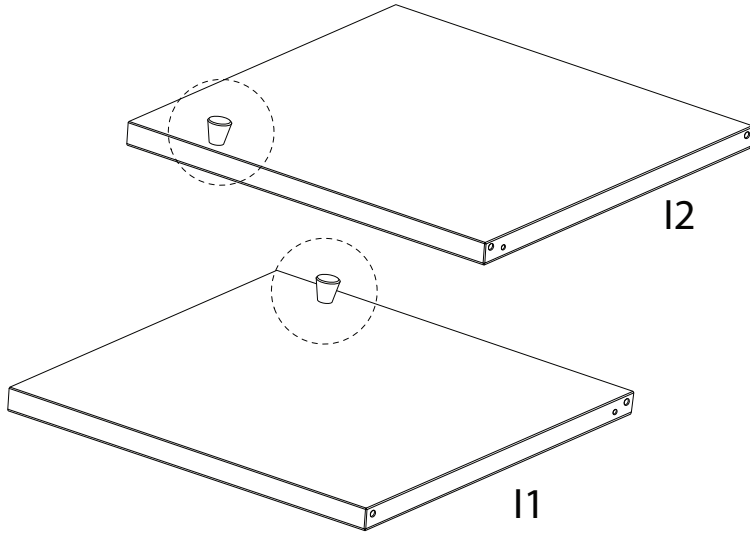
10

G
x 3





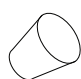


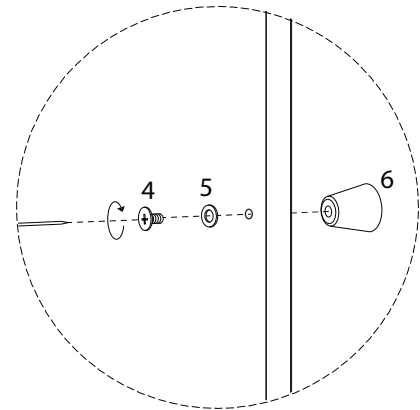
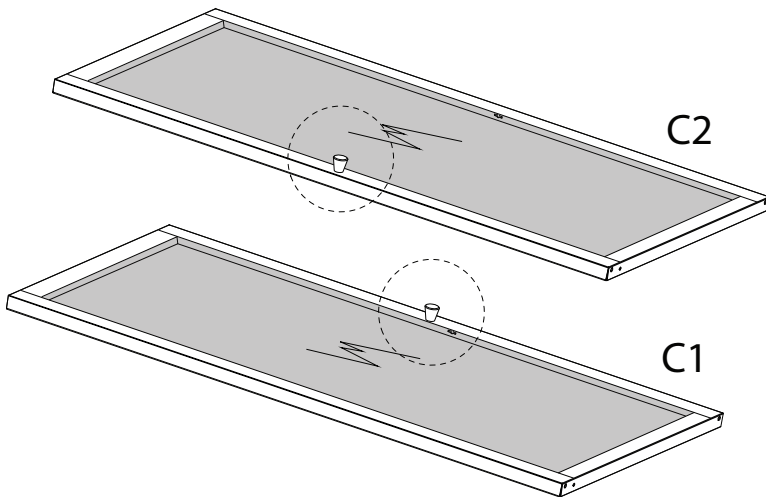
11

I1  x 1	I2  x 1	4  M4 x 4 x 2	5  Ø9 x 2	6  x 2
--	--	--	---	---



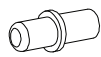
12

C1  x 1	C2  x 1	4  M4 x 4 x 2	5  Ø9 x 2	6  x 2
--	--	--	---	---



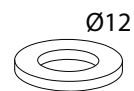
13

2

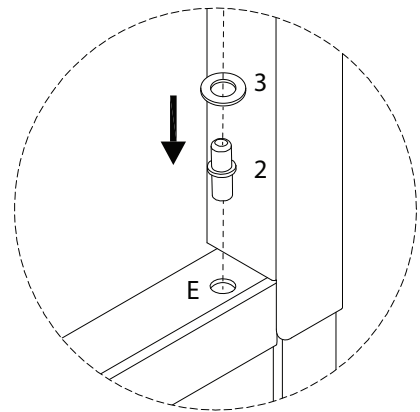
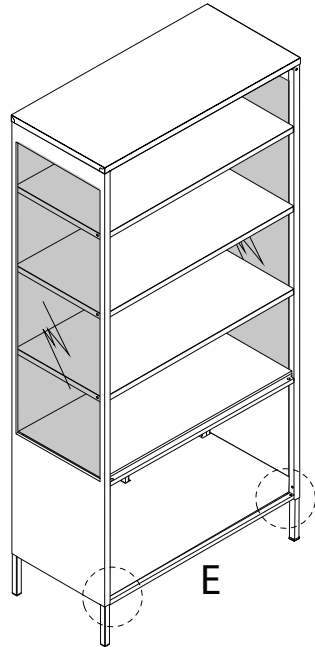


x 2

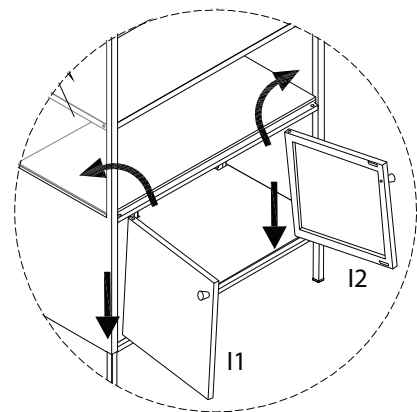
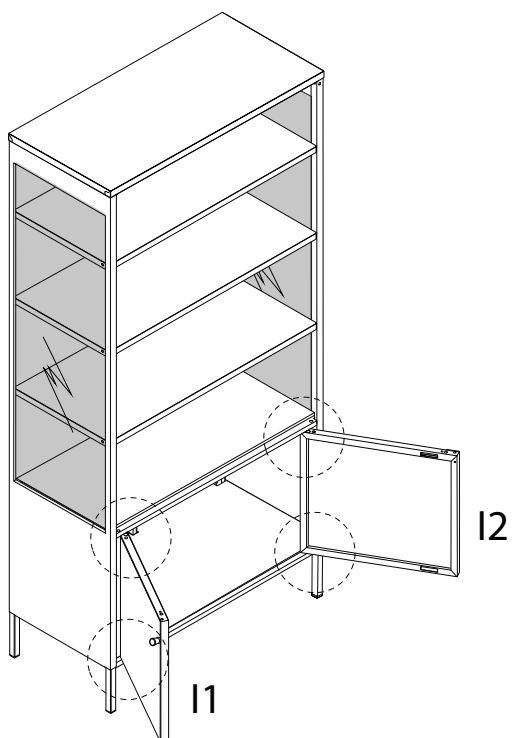
3



x 2

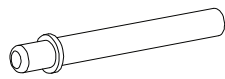


14



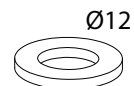
15

10

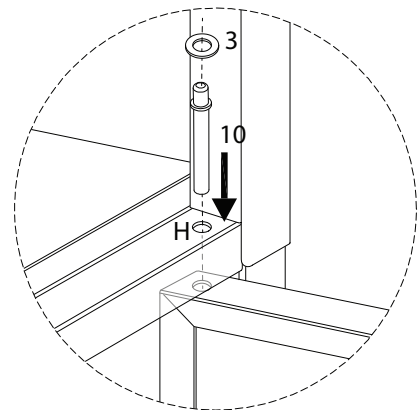
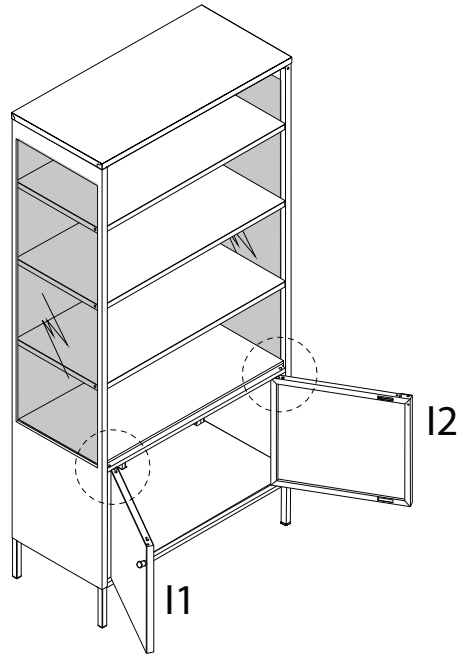


x 2

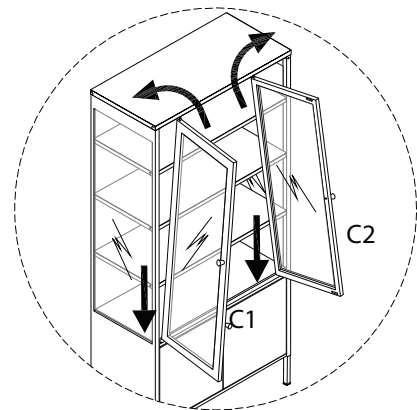
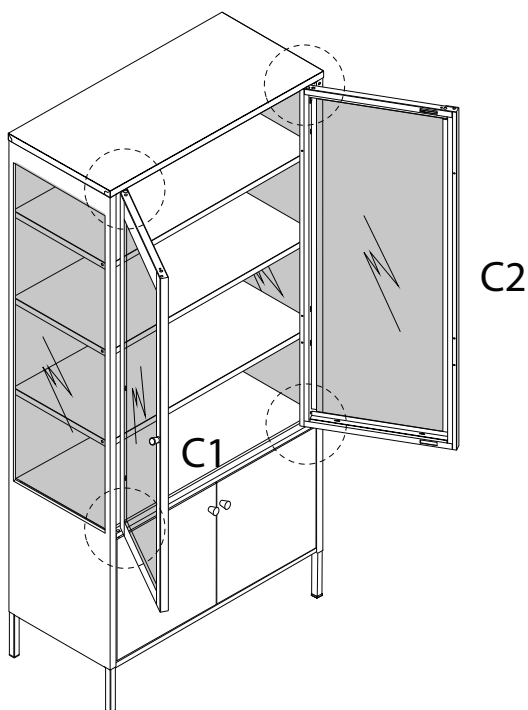
3



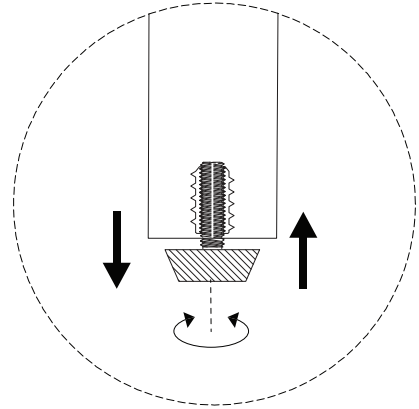
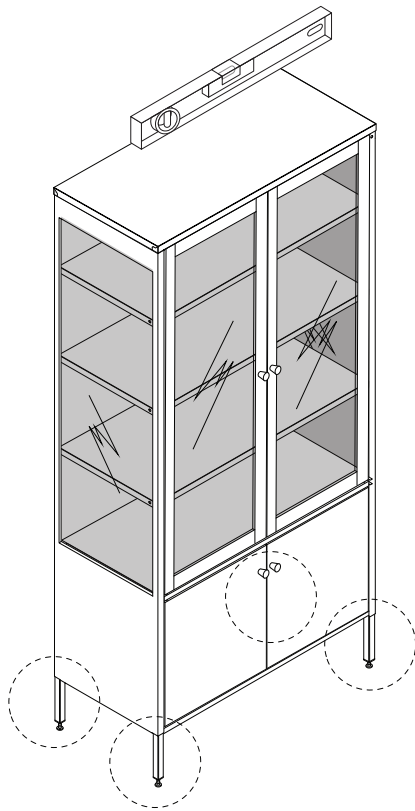
x 2



16



17



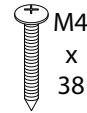
18

11



x 2

12



x 2

