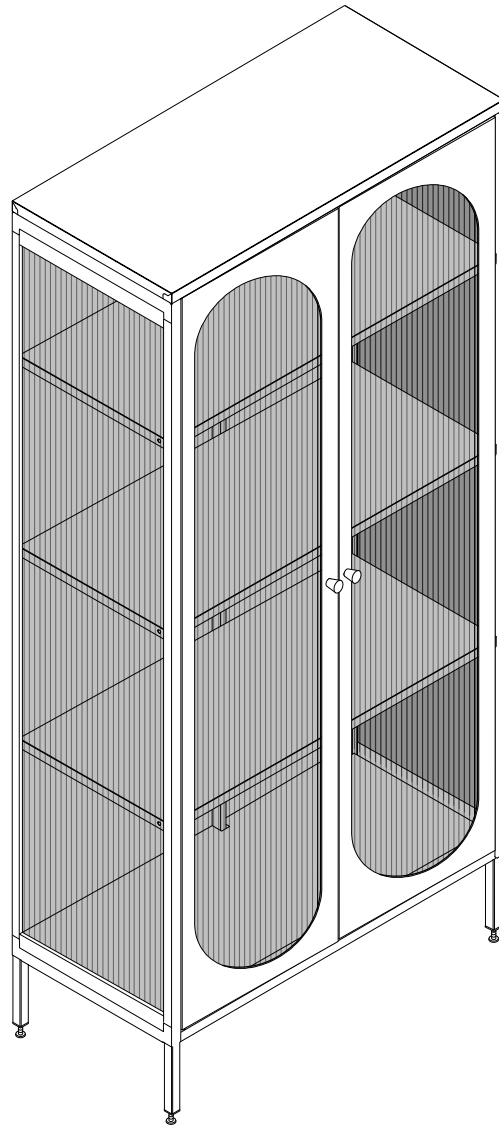
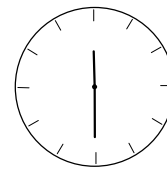
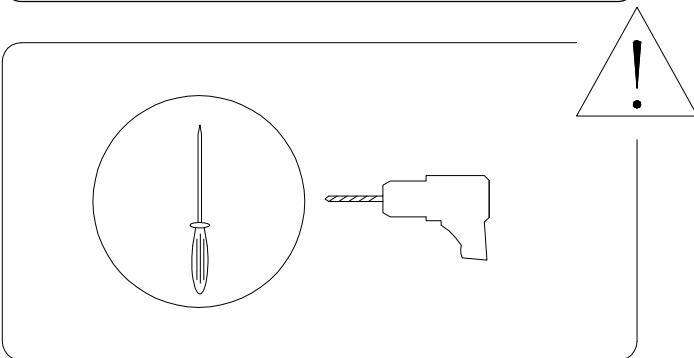
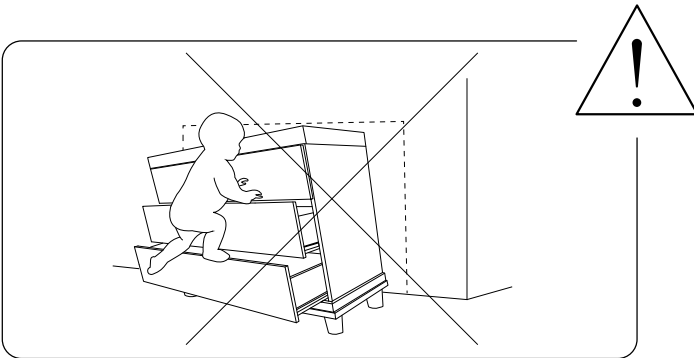
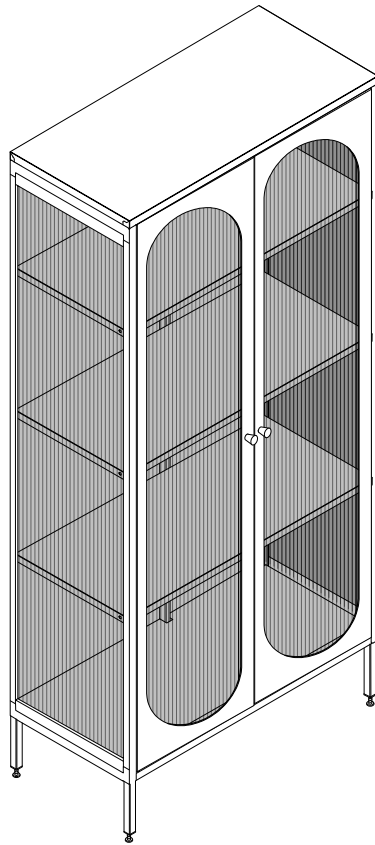
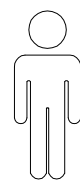
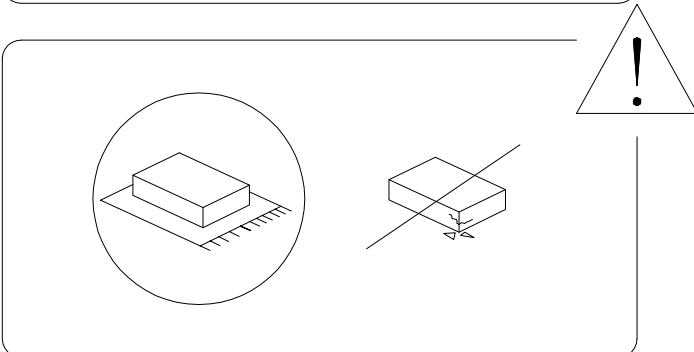


FOXTON

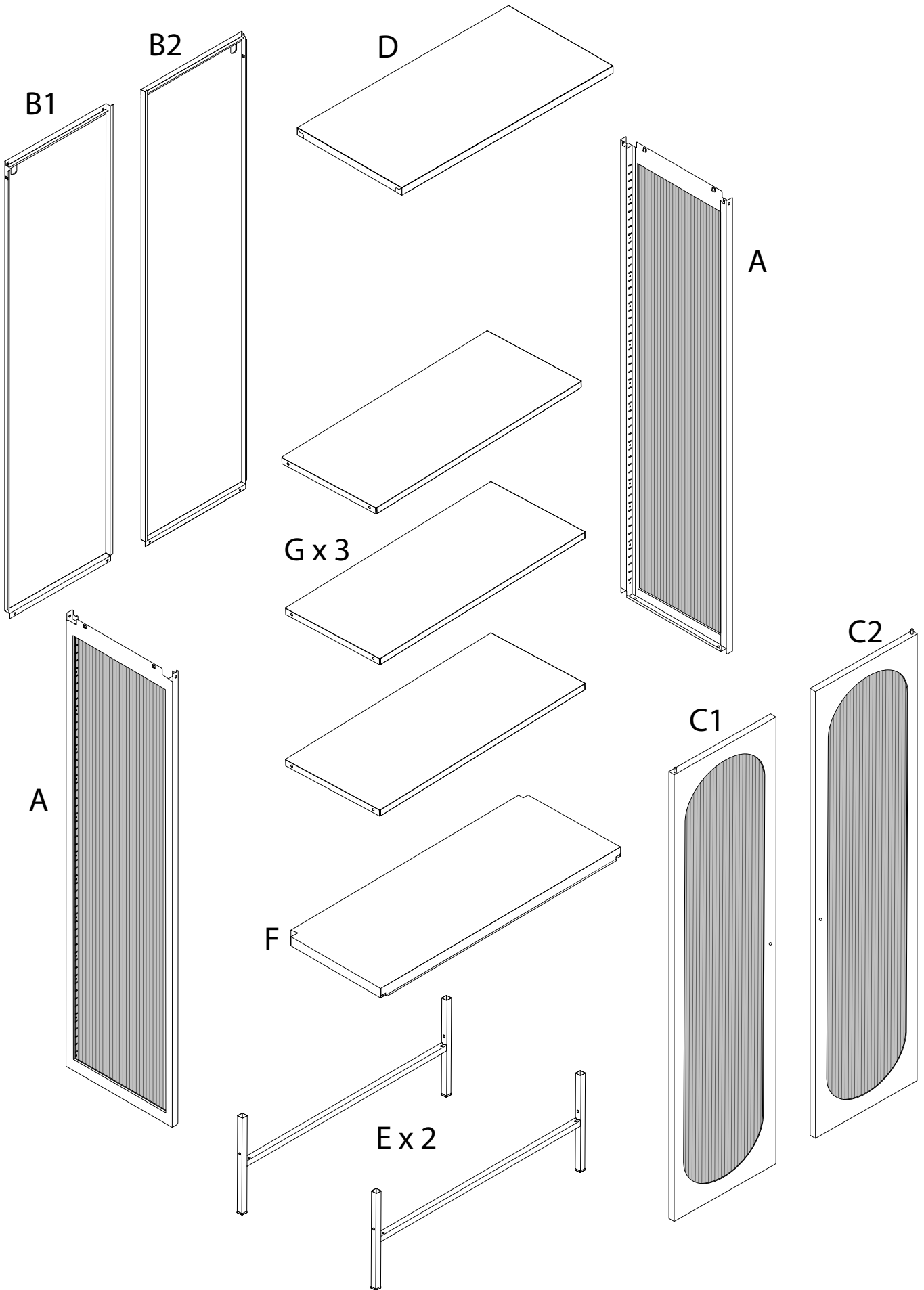




30'



2



A



x 2

B1



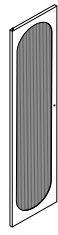
x 1

B2



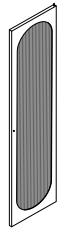
x 1

C1



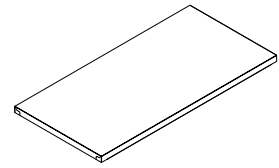
x 1

C2



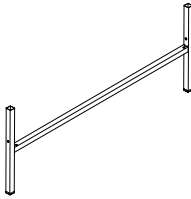
x 1

D



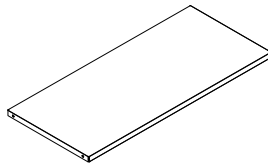
x 1

E



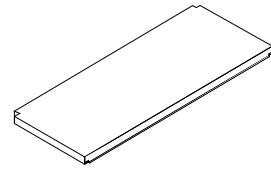
x 2

F



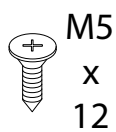
x 1

G



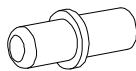
x 3

1



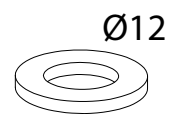
x 37

2



x 2

3



x 2

4



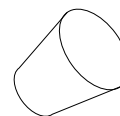
x 2

5



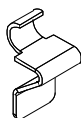
x 2

6



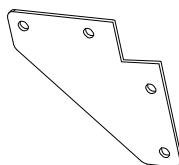
x 2

7



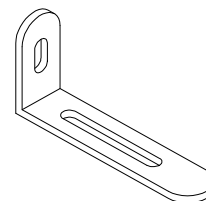
x 12

8



x 4

9



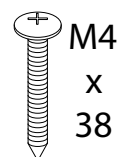
x 2

10



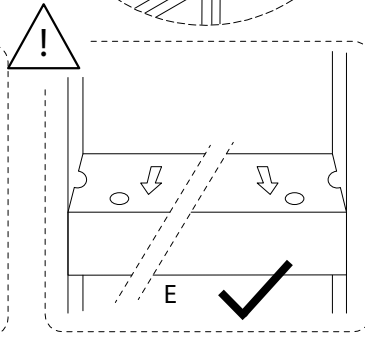
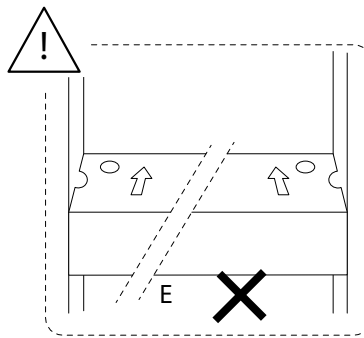
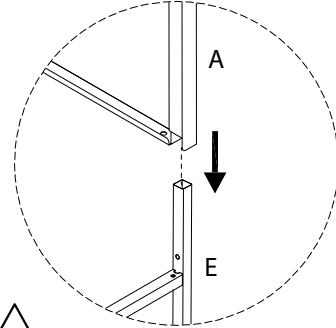
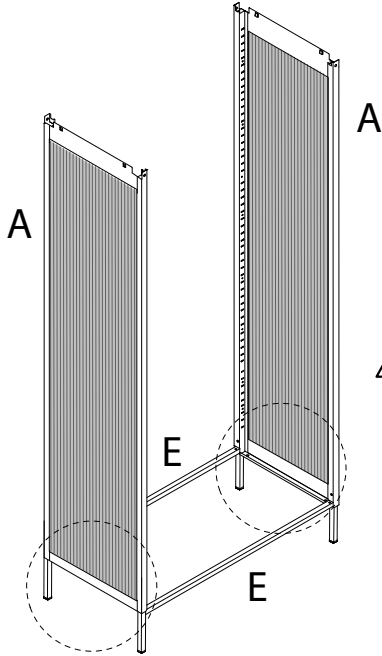
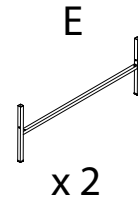
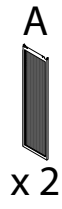
x 2

11

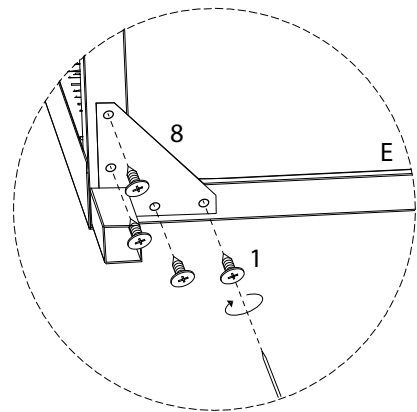
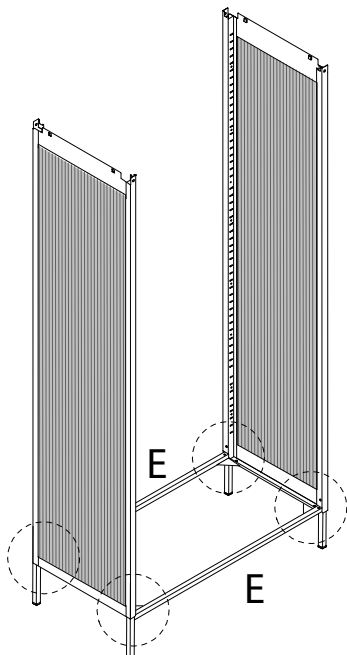
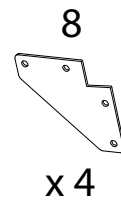
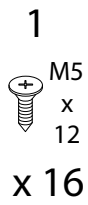


x 2

1



2



3

B1

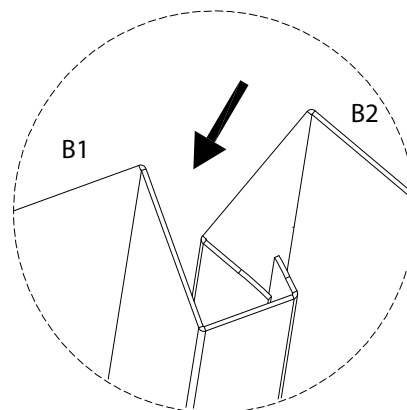
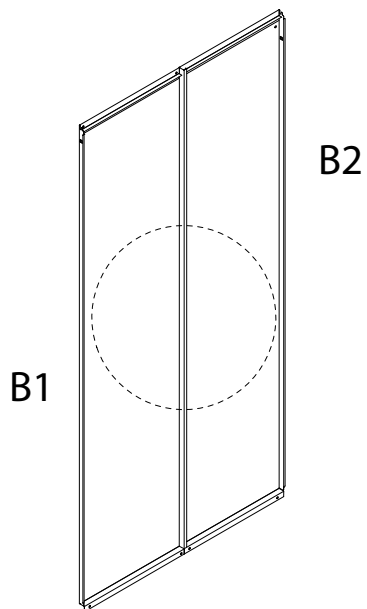


x 1

B2



x 1

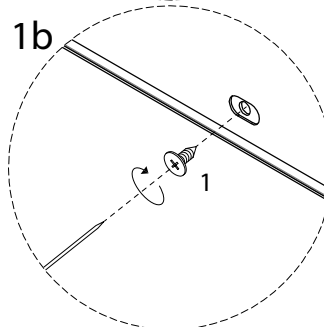
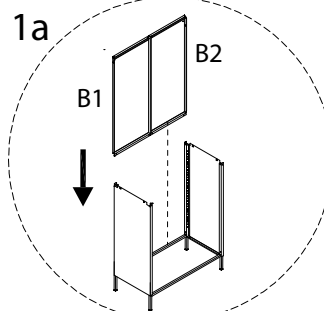
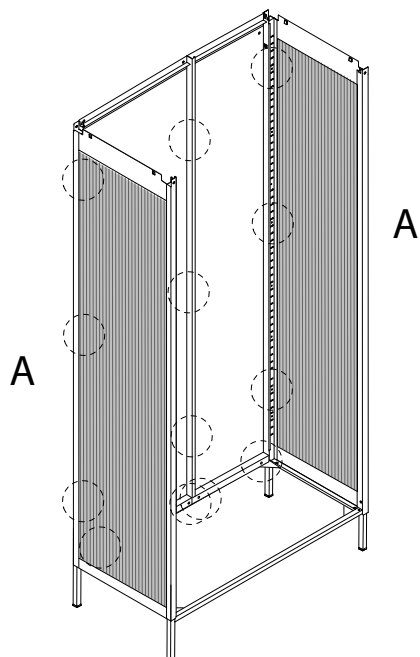


4

1

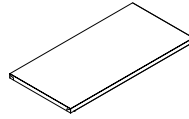


x 13

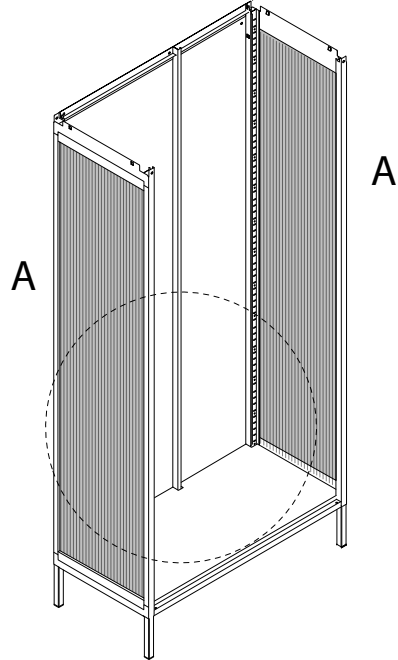


5

F

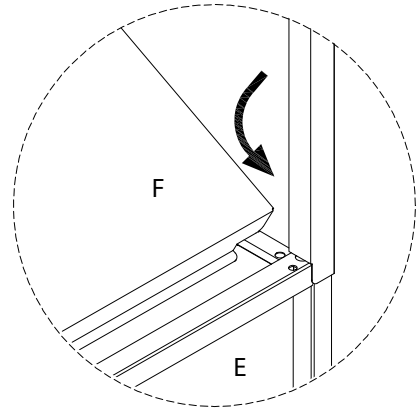


x1



A

A

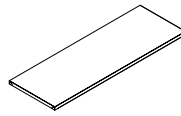


F

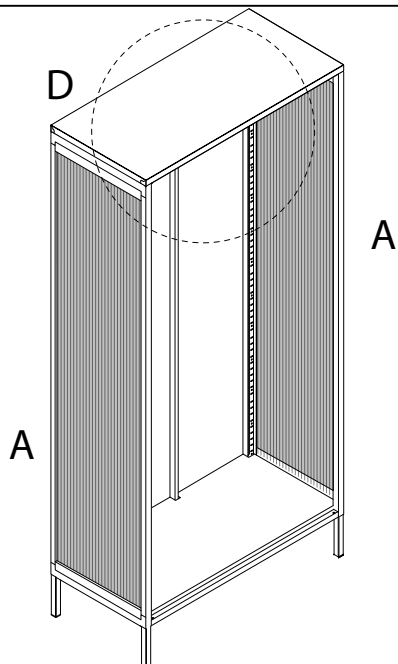
E

6

D

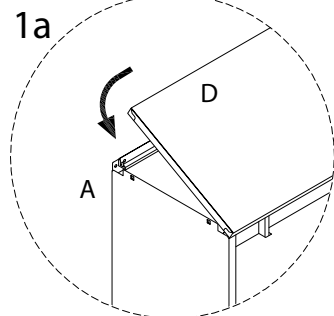


x1



A

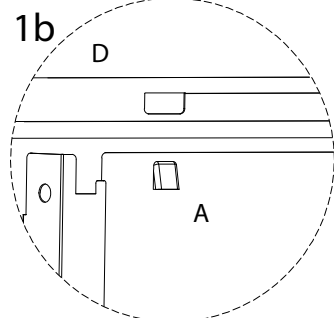
A



1a

D

A



1b

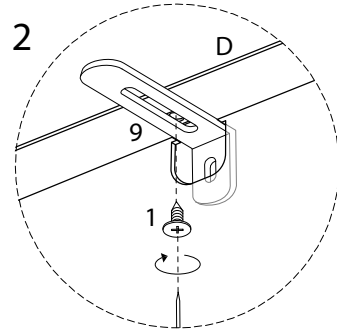
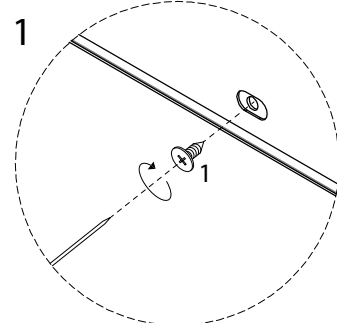
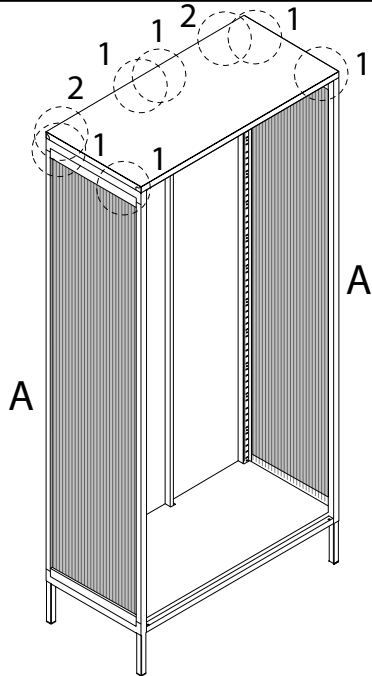
D

A

7

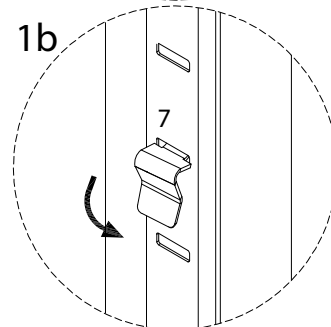
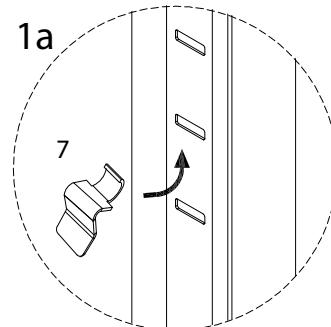
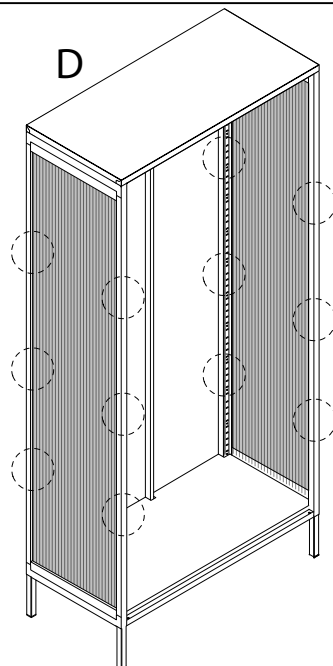
1
M5
x
12
x 8

9
x 2

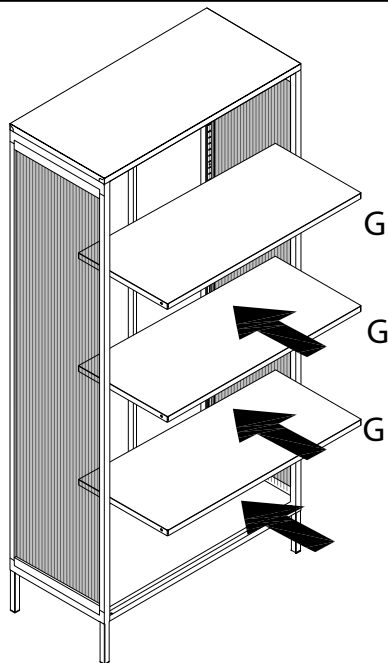
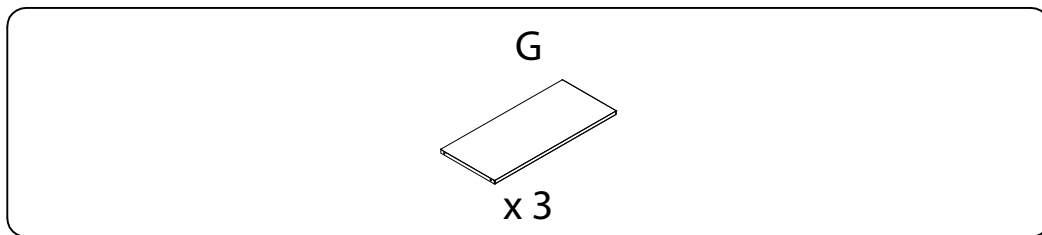


8

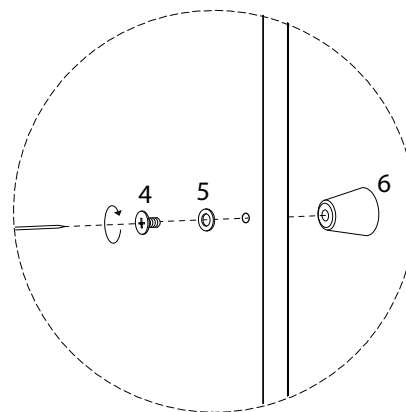
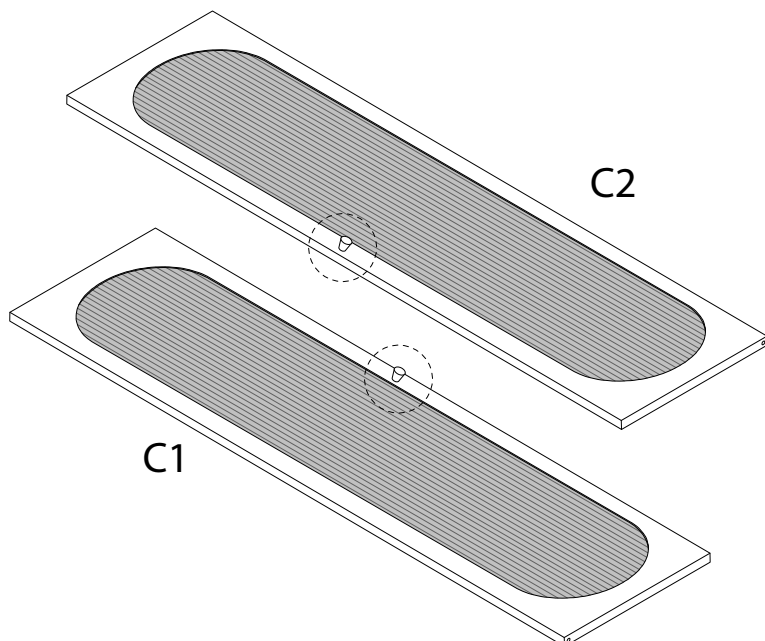
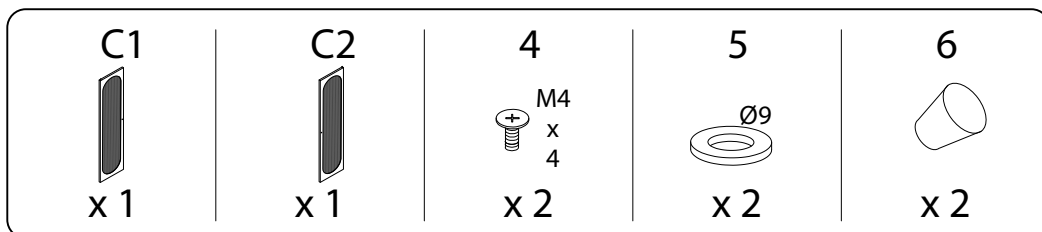
7
x 12



9

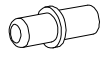


10



11

2



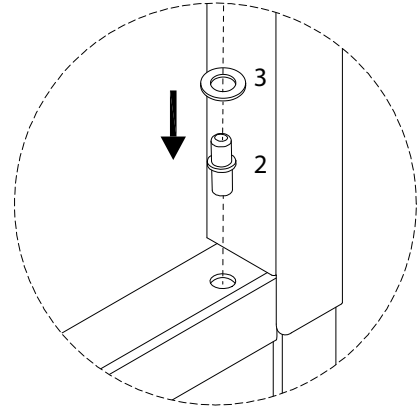
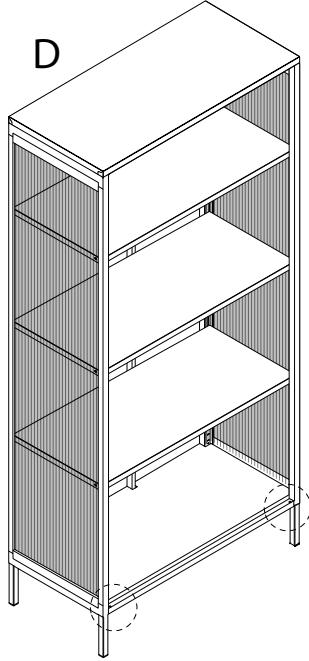
x 2

3

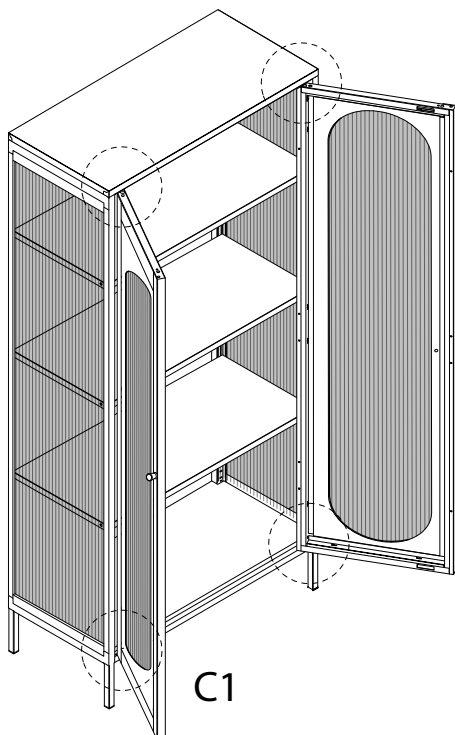


x 2

D

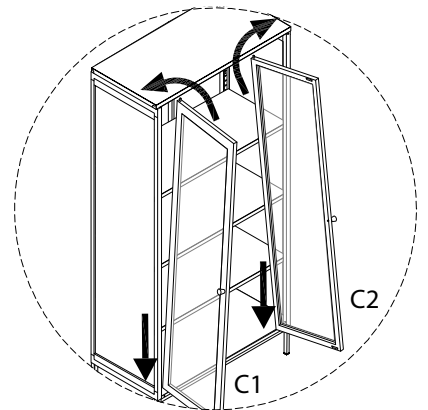


12

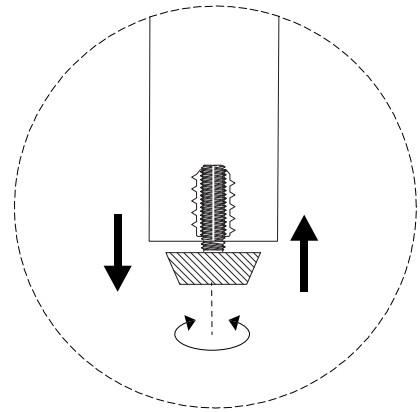
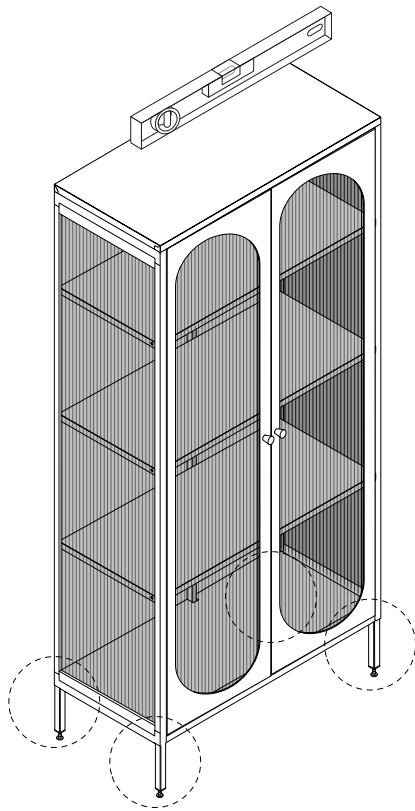


C2

C1



13



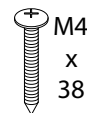
14

10



x 2

11



x 2

