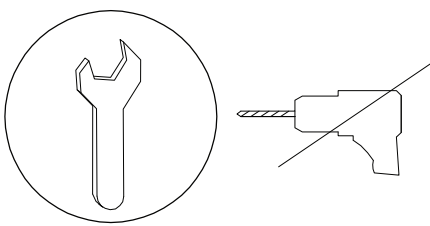

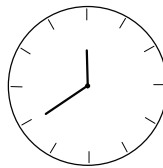
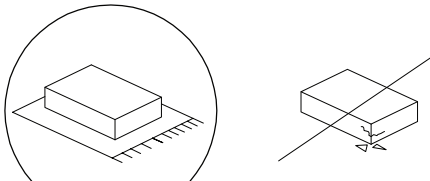




DELMAS

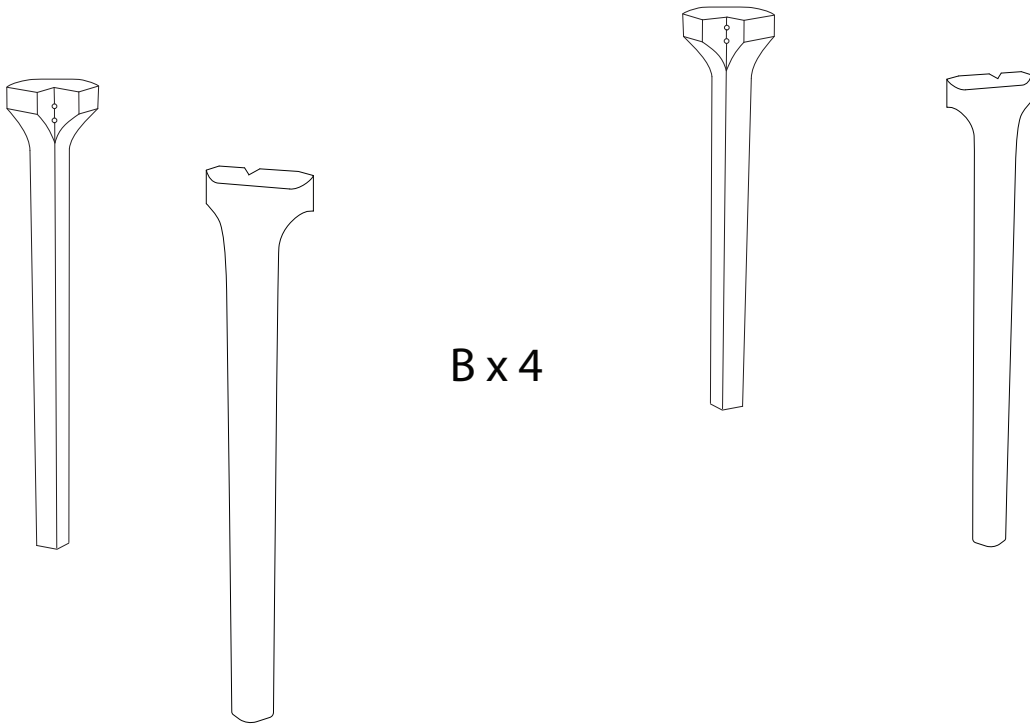
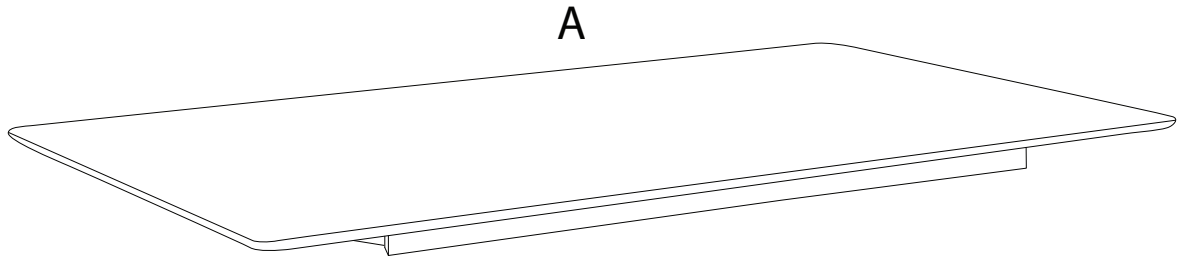



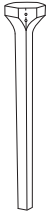
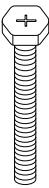
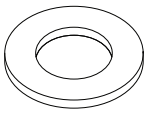
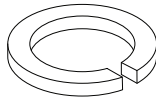
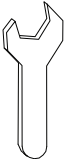


 A circular icon containing a wrench. To its right is a power drill with a diagonal line through it, indicating it should not be used.		
 A circular icon containing a rectangular block on a mat. To its right is a rectangular block with a nail being driven into it, with a diagonal line through it, indicating it should not be done.		



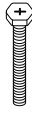
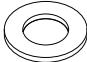
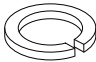

40'

2



A	B	1	2	3	4
		 M8 x 60			
x 1	x 4	x 8	x 8	x 8	x 1

1

A  x 1	B  x 4	1  M8 x 60 x 8	2  x 8	3  x 8	4  x 1
--	--	---	---	--	--

