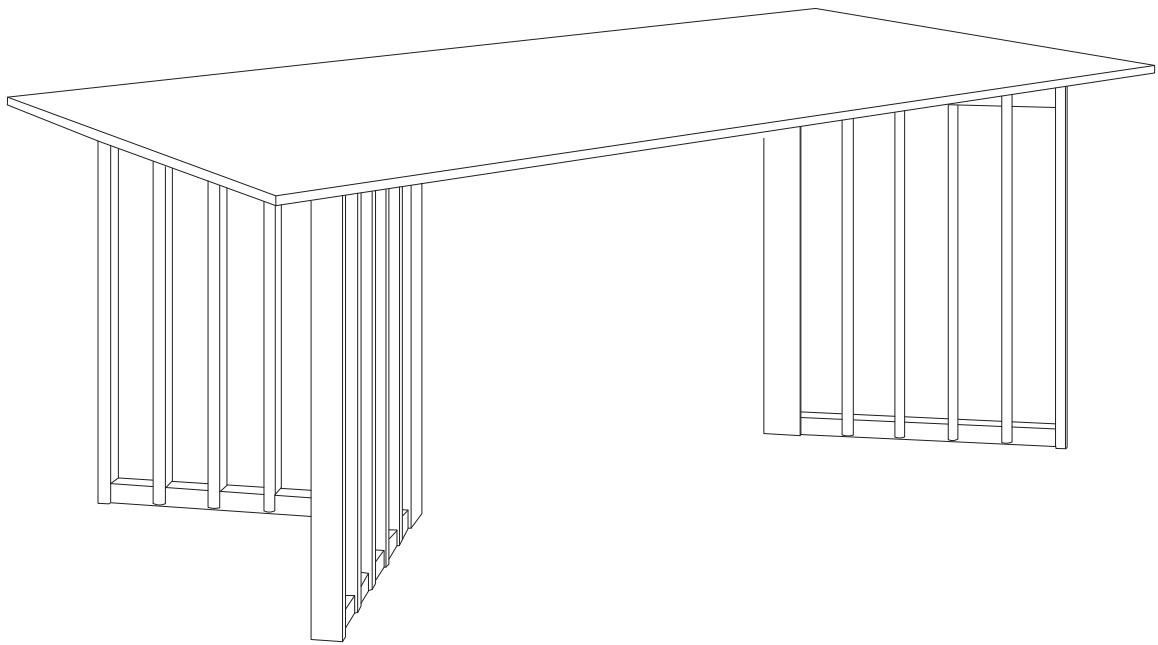
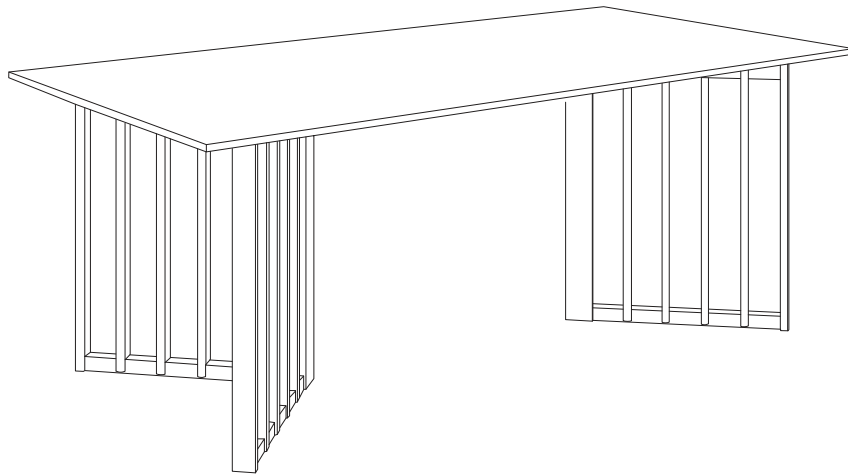
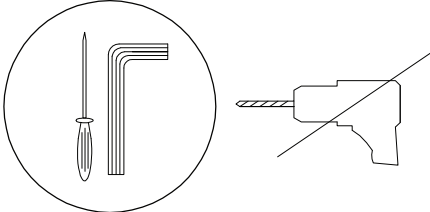

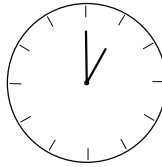
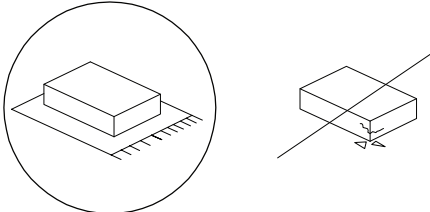




# LEANDRA

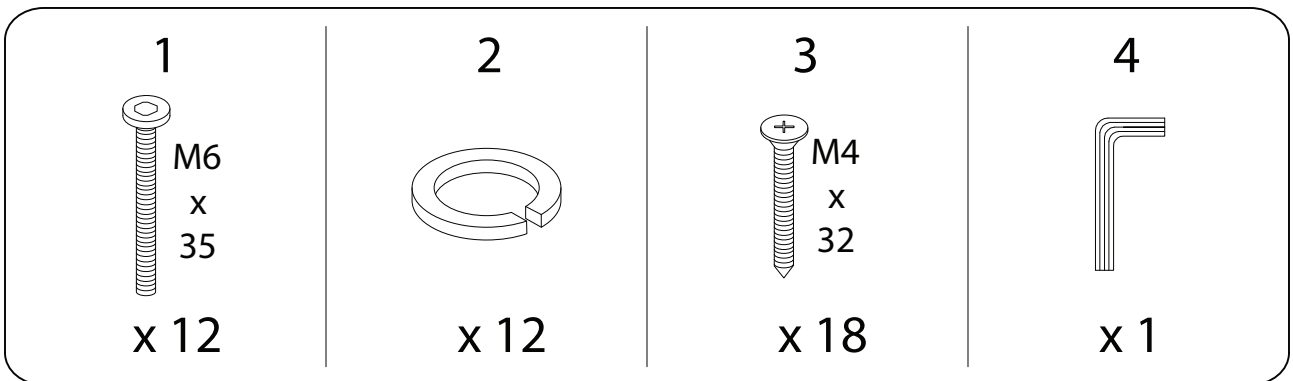
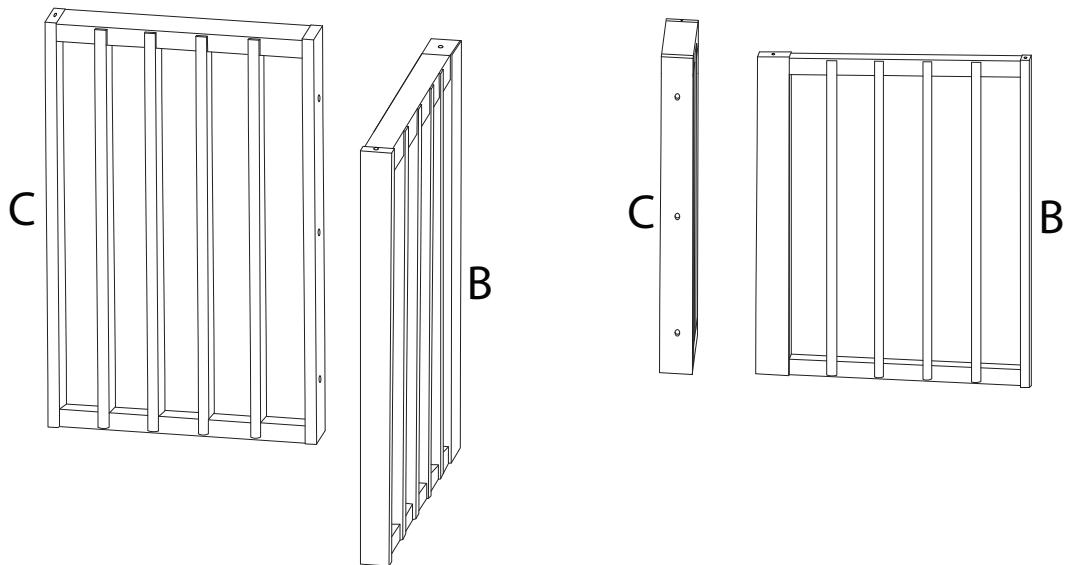
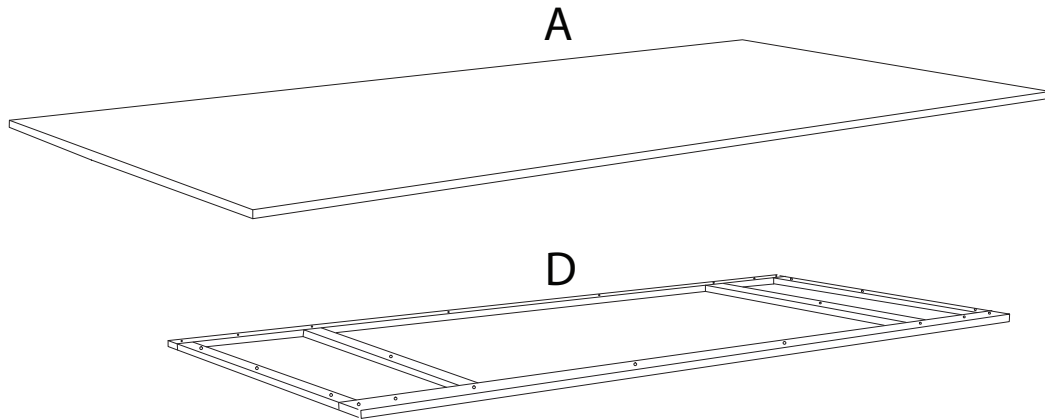
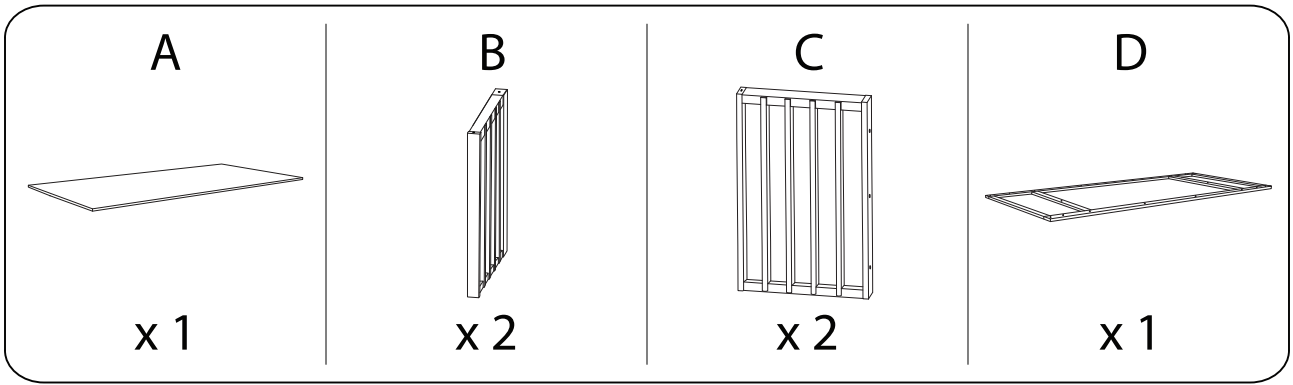




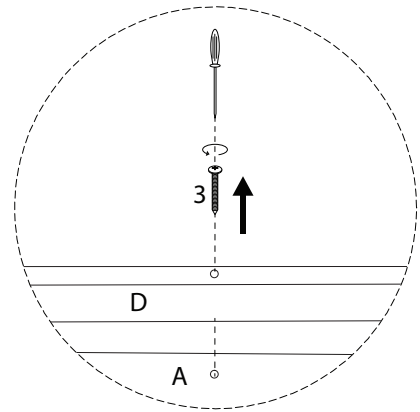
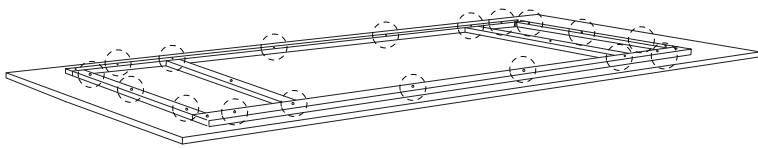
		
		

60'

2

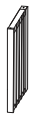


!



1 x 2

B



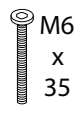
x 1

C



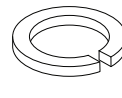
x 1

1



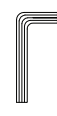
x 3

2

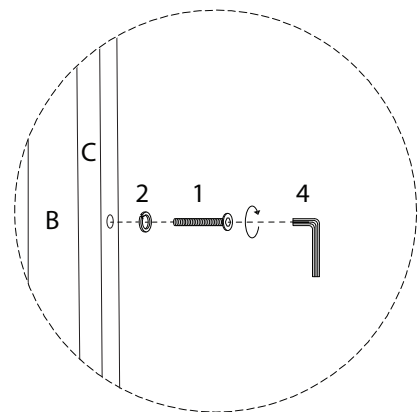
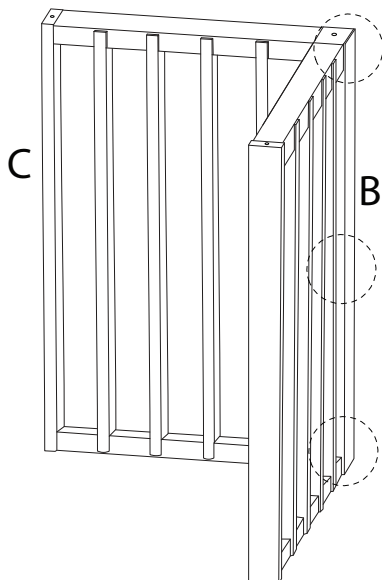


x 3

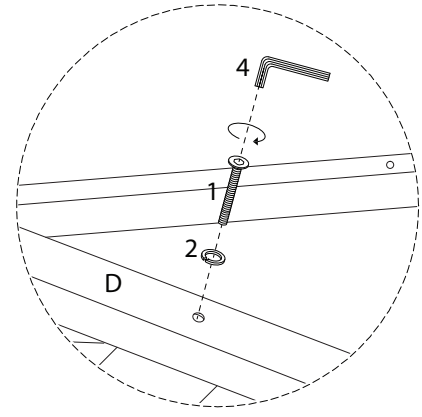
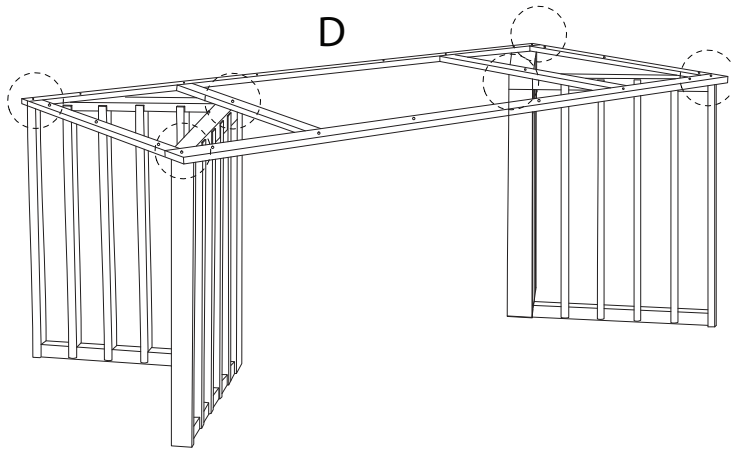
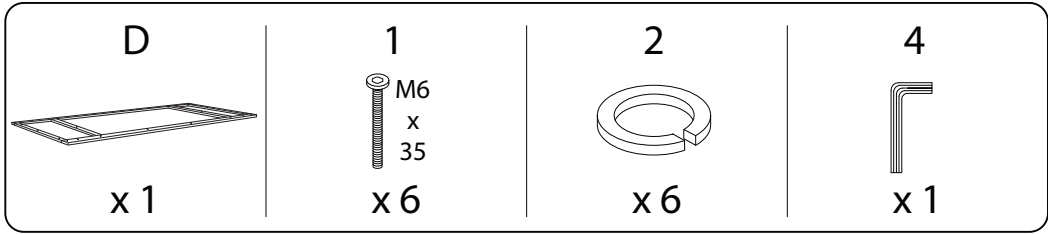
4



x 1



2



3

