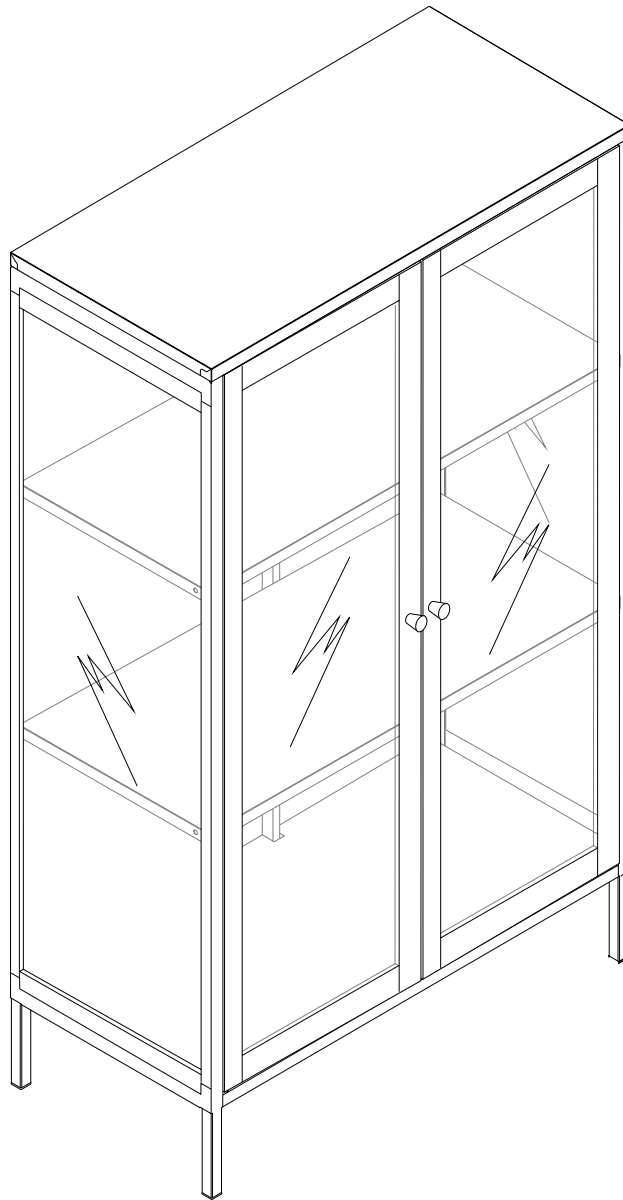
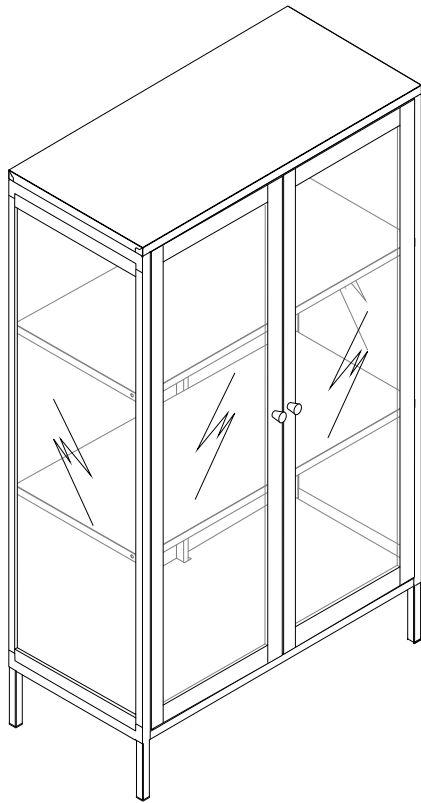
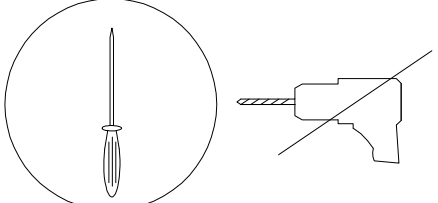
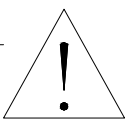
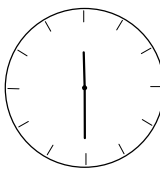
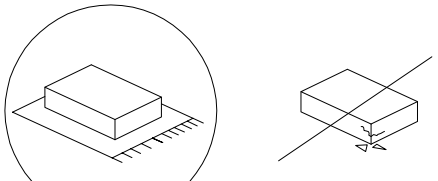


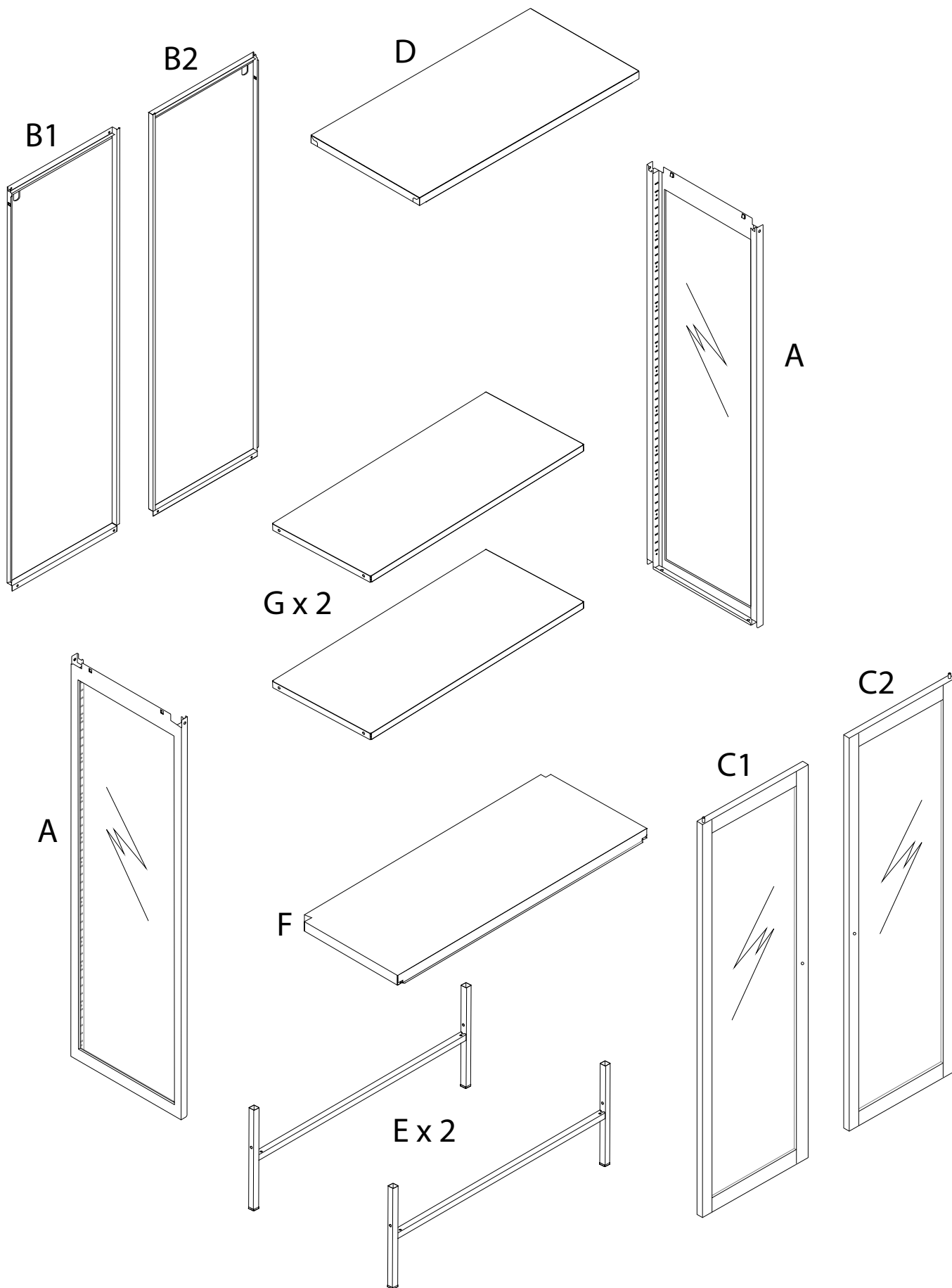


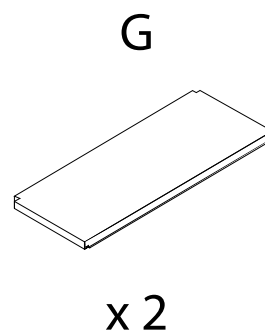
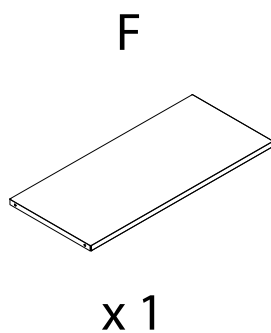
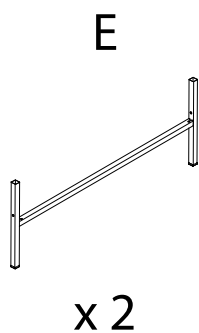
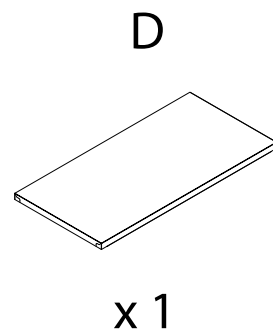
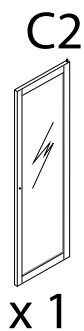
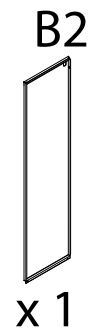
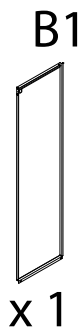
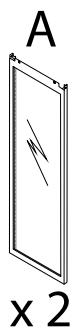
NASH





		
		<p>30'</p>
		
		<p>2</p>



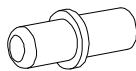


1



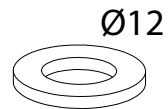
x 34

2



x 2

3



x 2

4



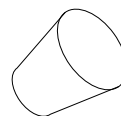
x 2

5



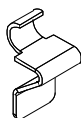
x 2

6



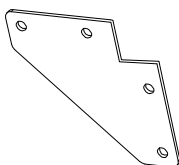
x 2

7



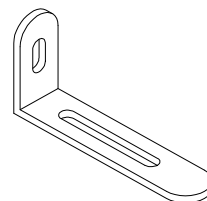
x 8

8



x 4

9



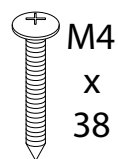
x 2

10



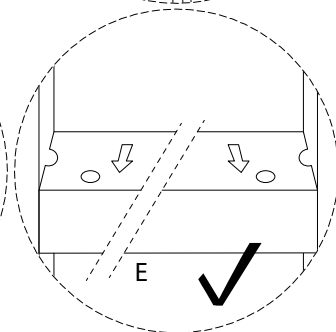
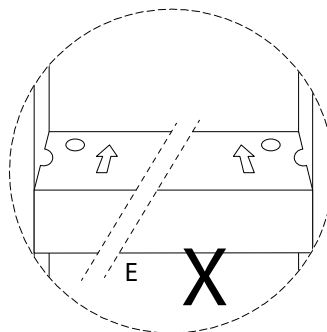
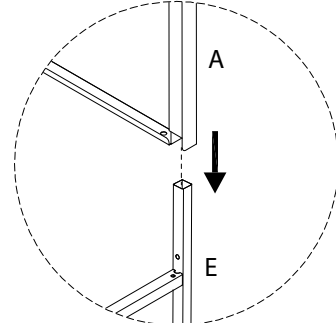
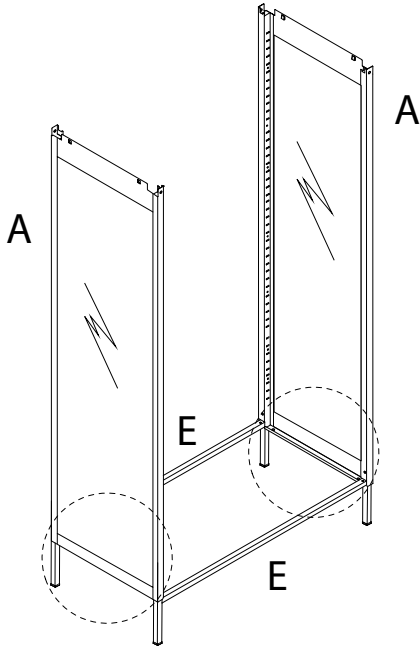
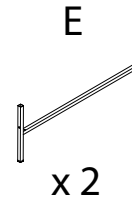
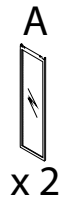
x 2

11

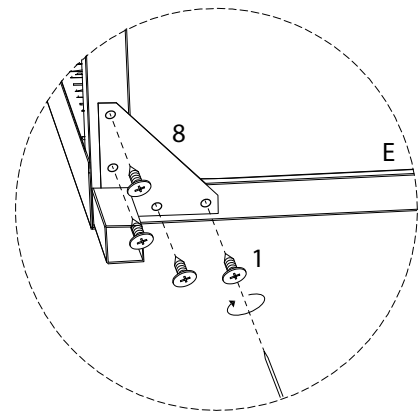
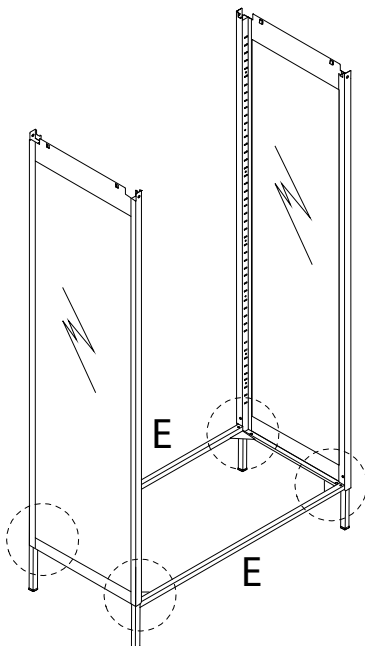
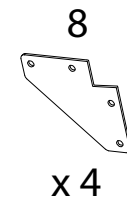
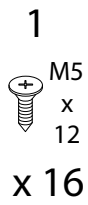


x 2

1



2



3

B1

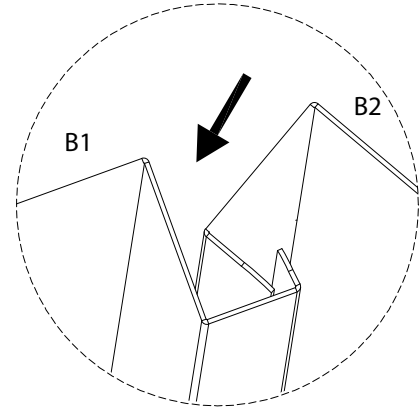
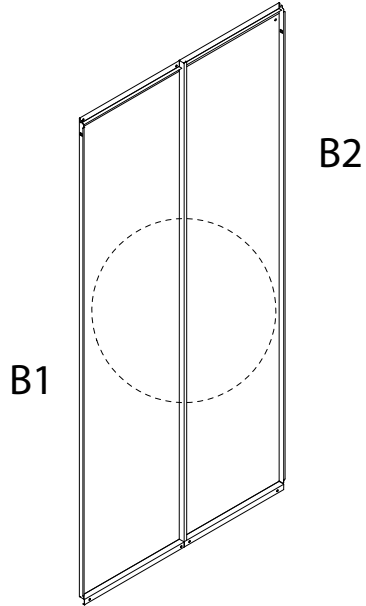


x 1

B2



x 1

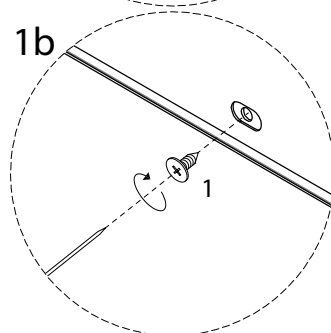
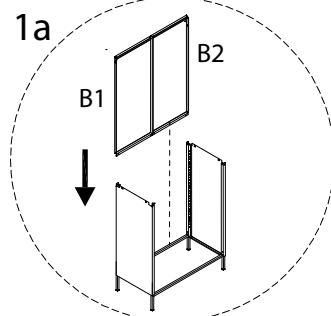
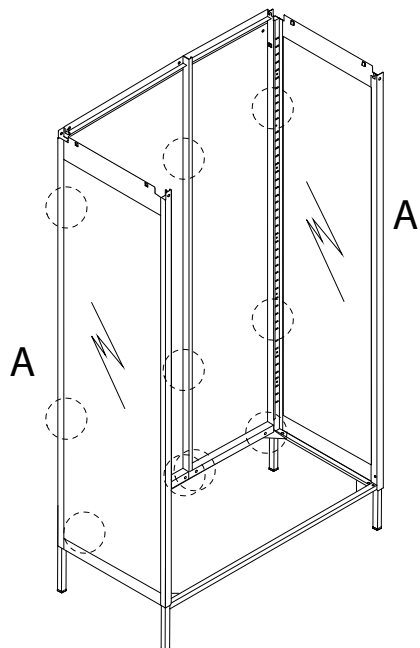


4

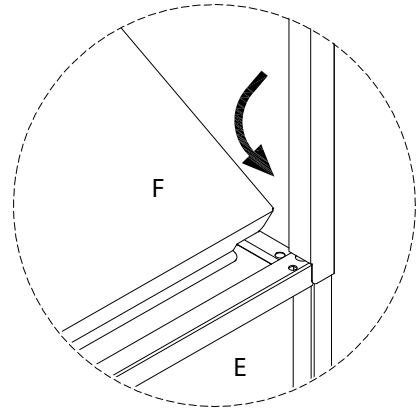
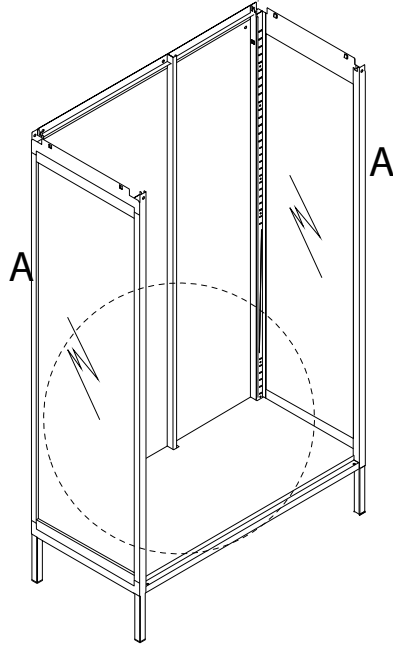
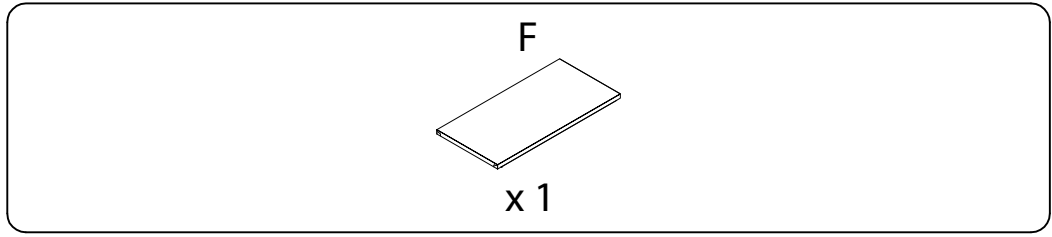
1



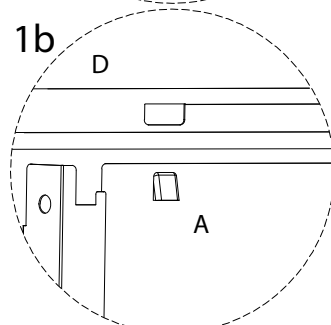
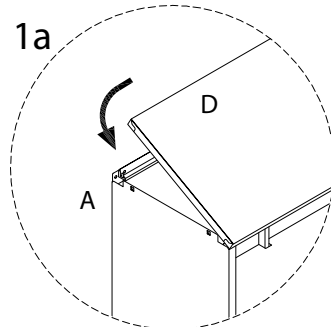
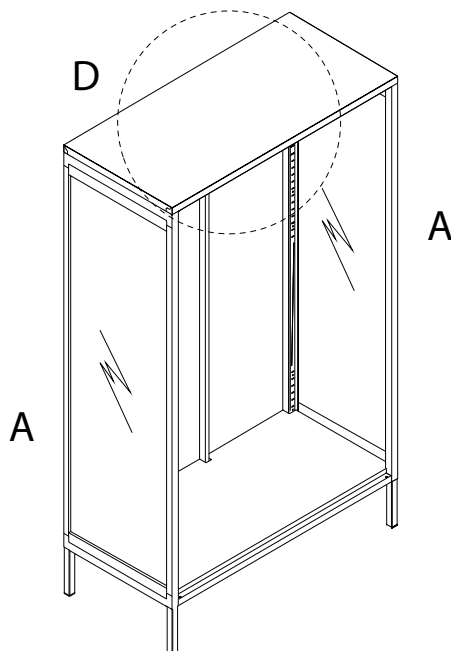
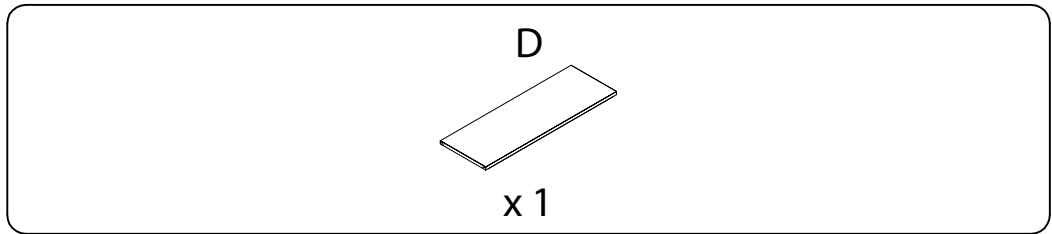
x 10



5



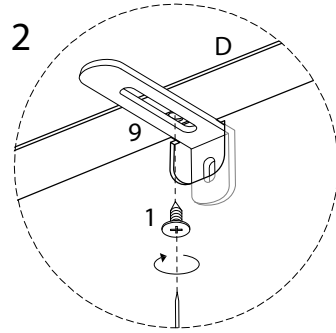
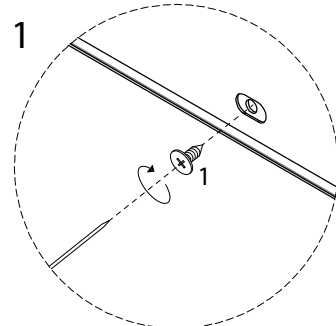
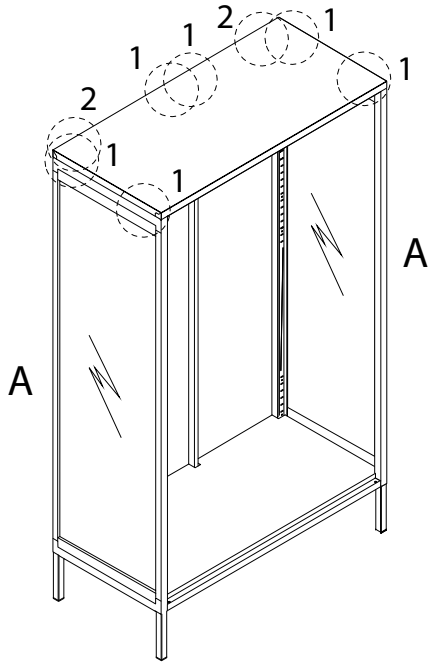
6



7

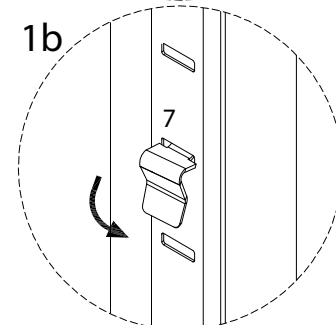
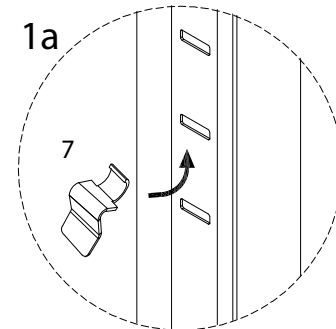
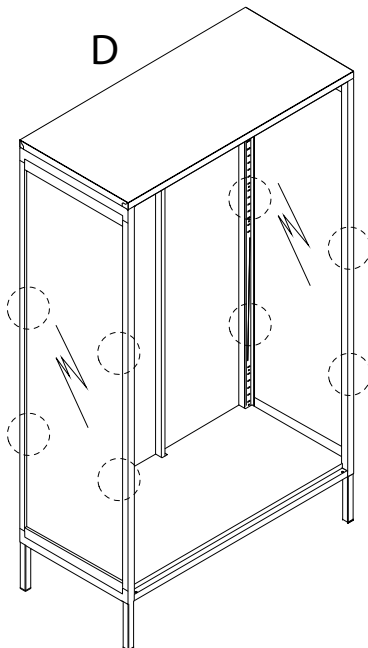
1
M5
x
12
x 8

9
x 2

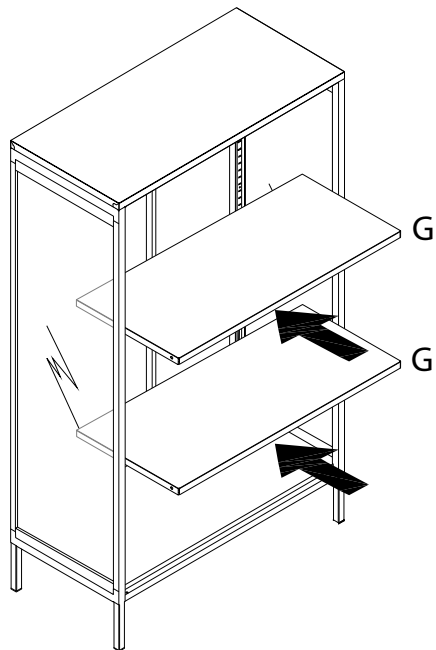
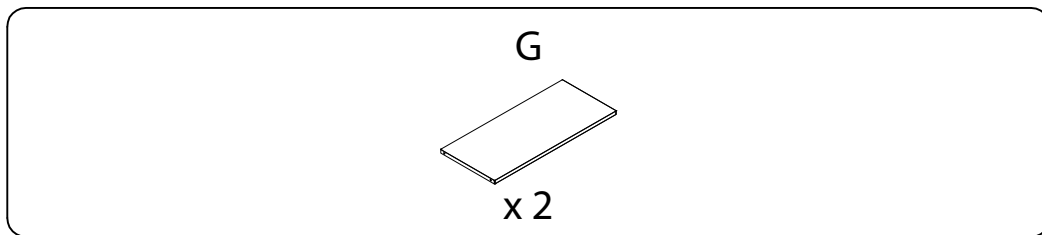


8

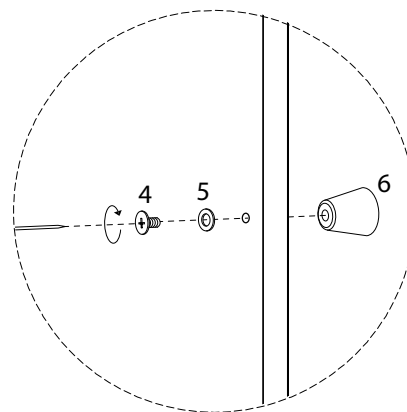
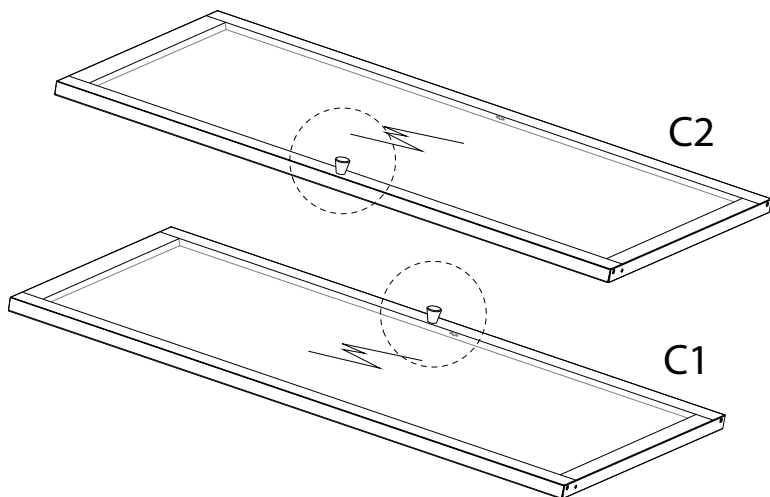
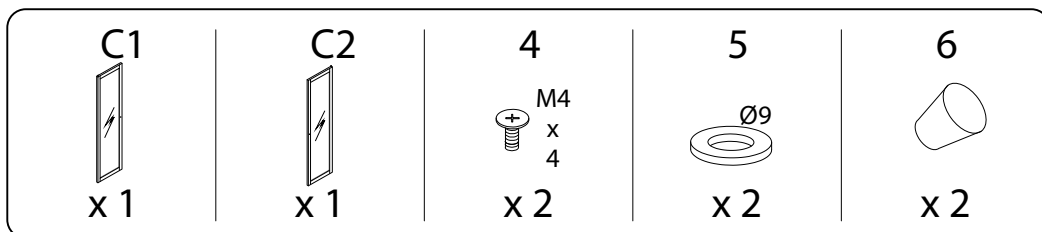
7
x 8



9

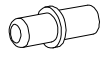


10



11

2



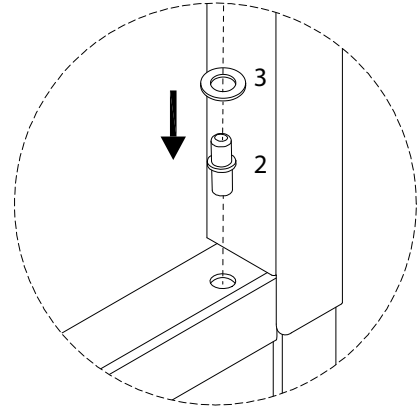
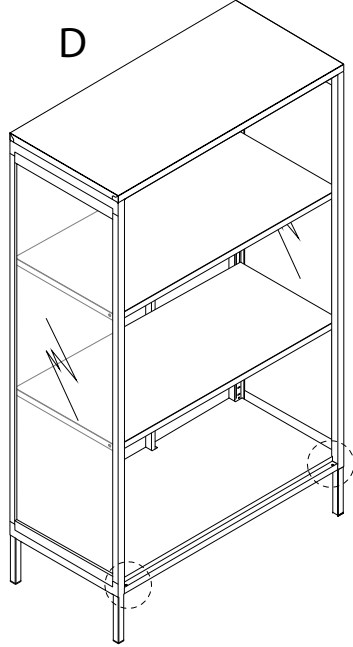
x 2

3

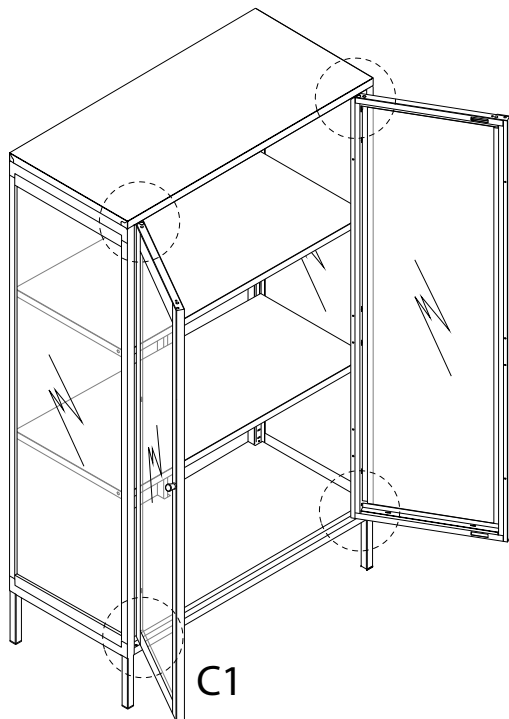


x 2

D

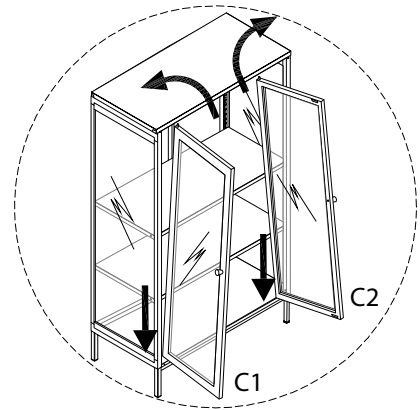


12



C2

C1



C2

C1

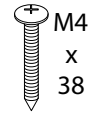
13

10



x 2

11



x 2

