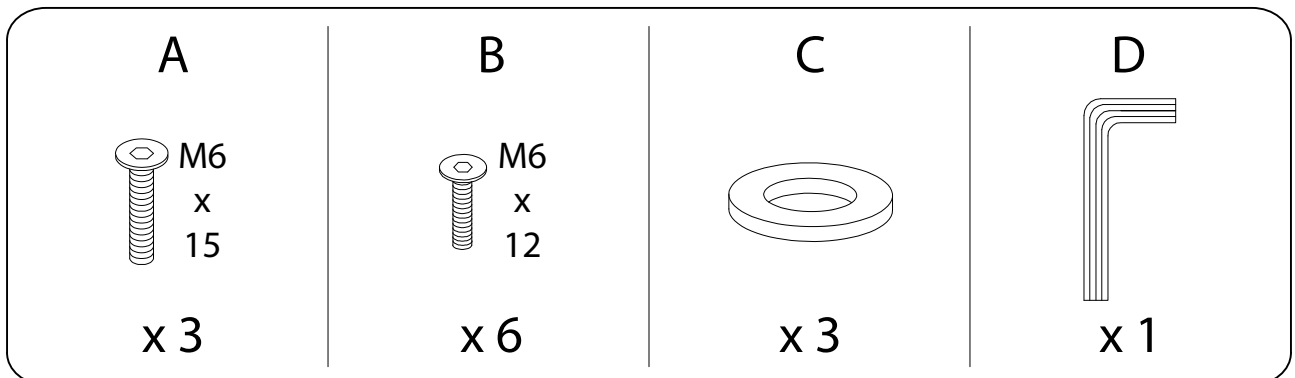
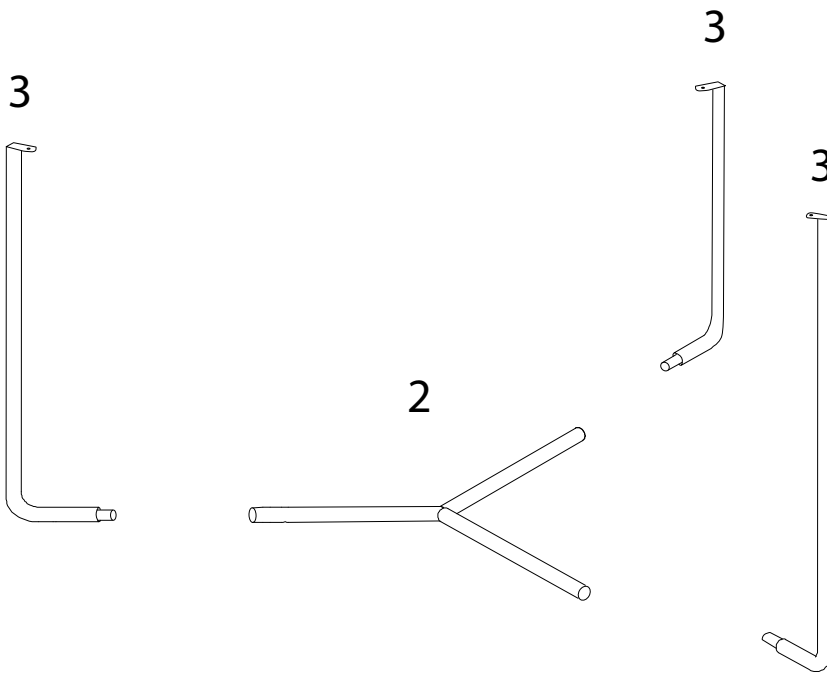
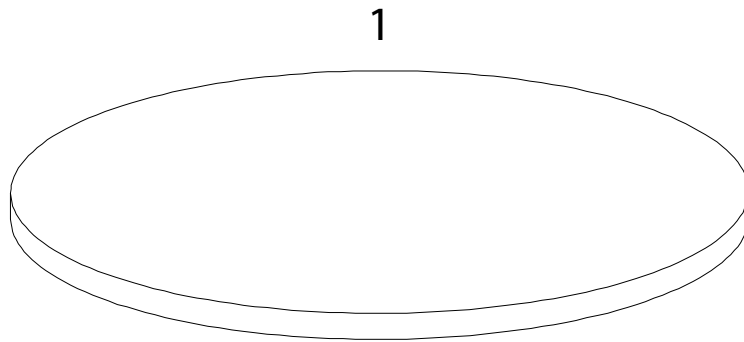
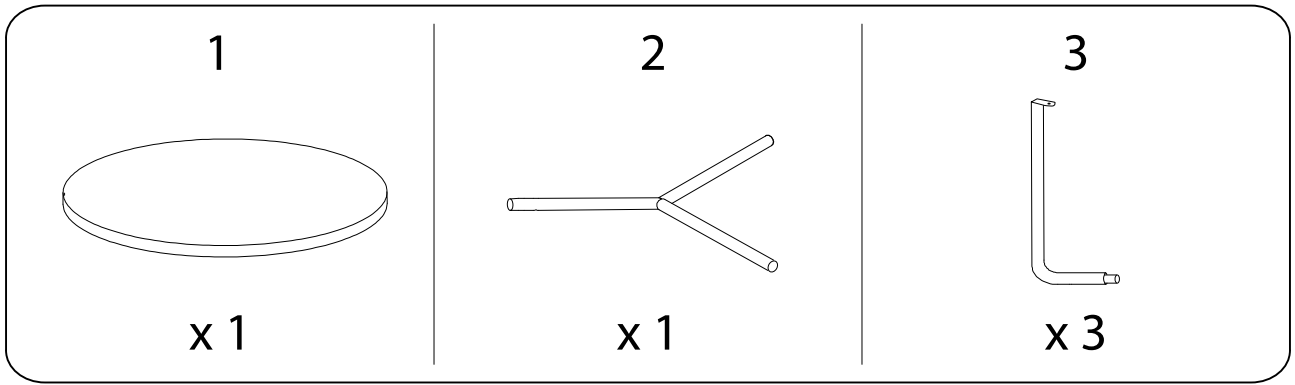
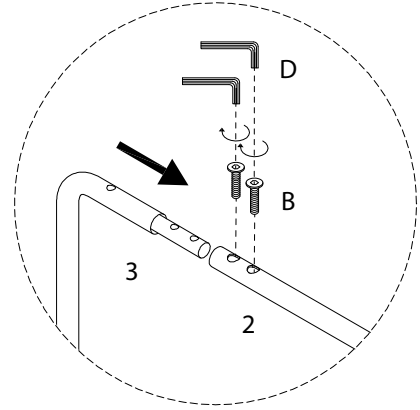
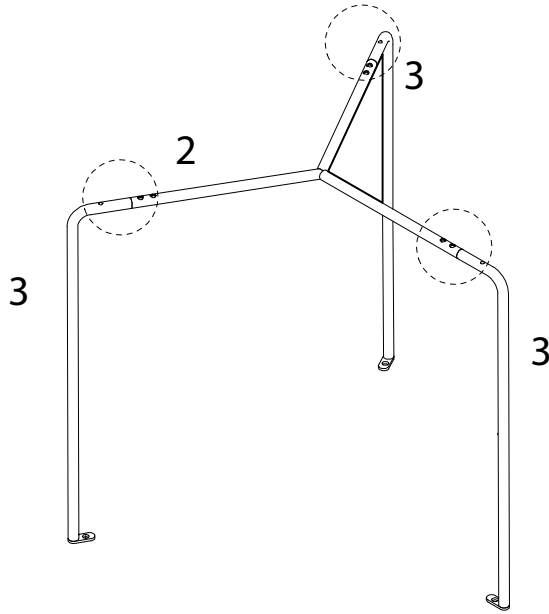
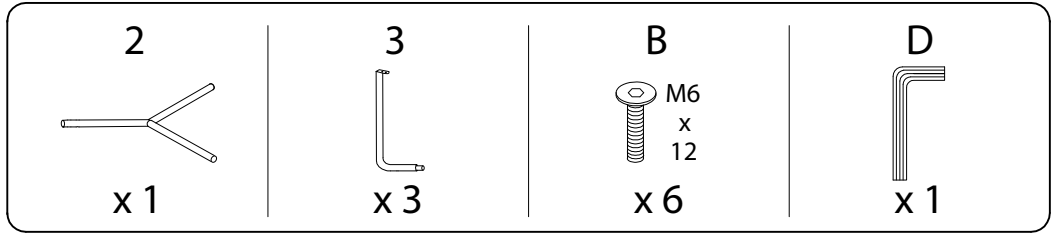


Diagram illustrating assembly steps and safety warnings:

- Step 1:** Shows an L-shaped metal bracket being attached to the table leg. A power drill is shown with a diagonal line through it, indicating that a power drill should not be used. A warning triangle with an exclamation mark is positioned to the right.
- Step 2:** Shows a rectangular block being attached to the table leg. A power drill is shown with a diagonal line through it, indicating that a power drill should not be used. A warning triangle with an exclamation mark is positioned to the right.
- Time:** A clock icon indicates a 30-minute assembly time.
- Personnel:** An icon of a person indicates that 1 person is required for assembly.



1



2

