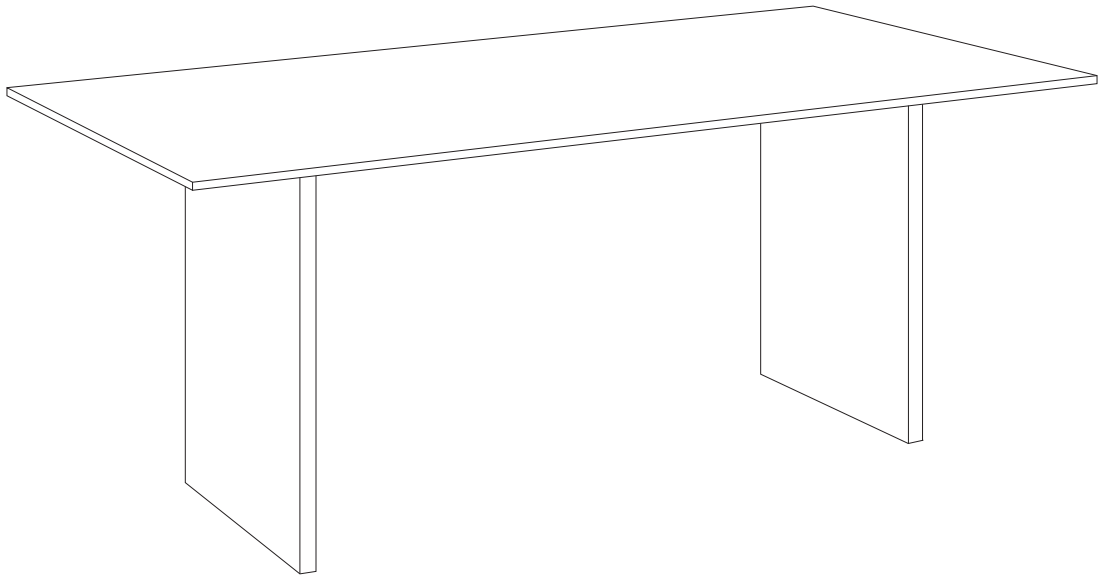
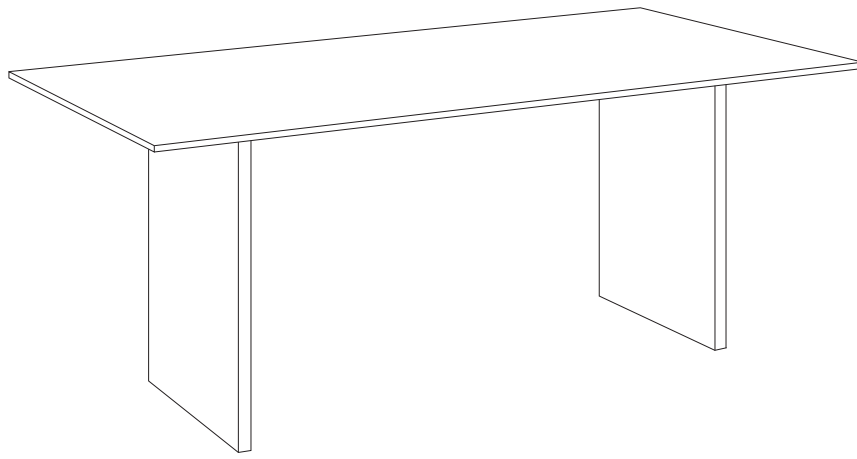
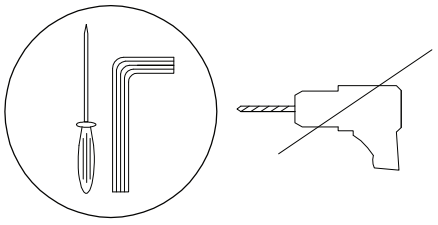

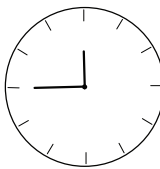
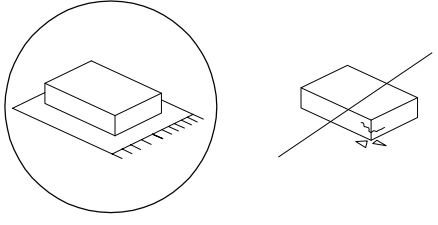

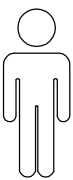


# MOORA



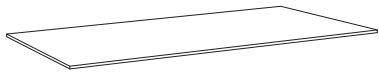


45'

2

A



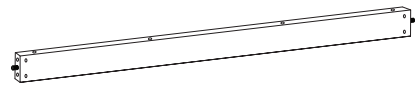
x 1

B



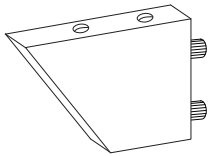
x 2

C



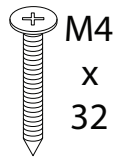
x 1

D



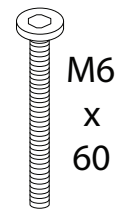
x 2

1



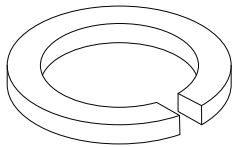
x 8

2



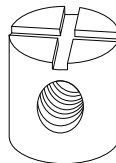
x 4

3



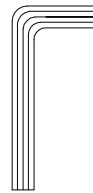
x 4

4



x 4

5



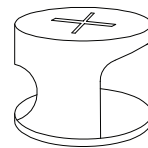
x 1

6

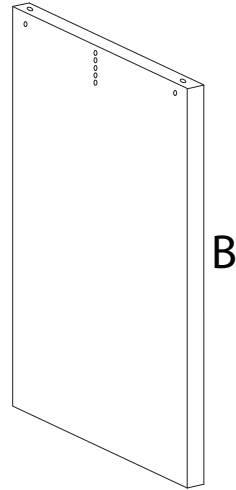
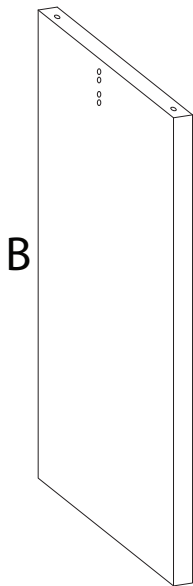
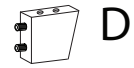
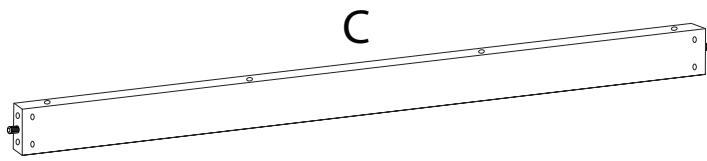
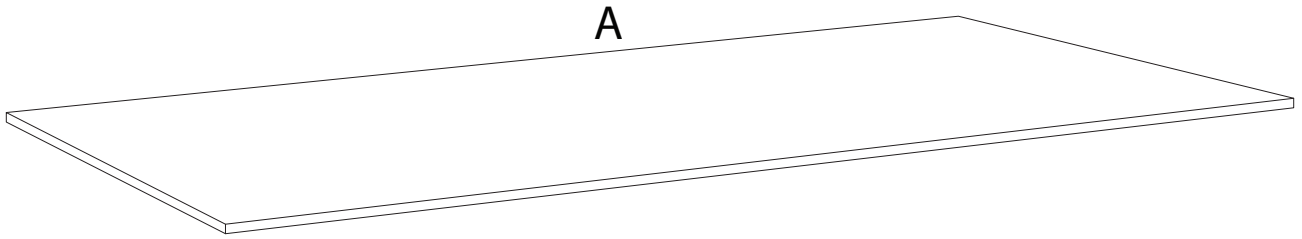


x 4

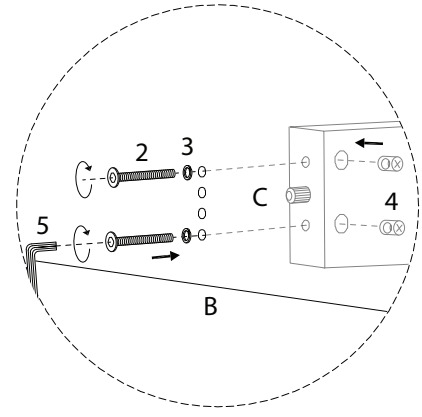
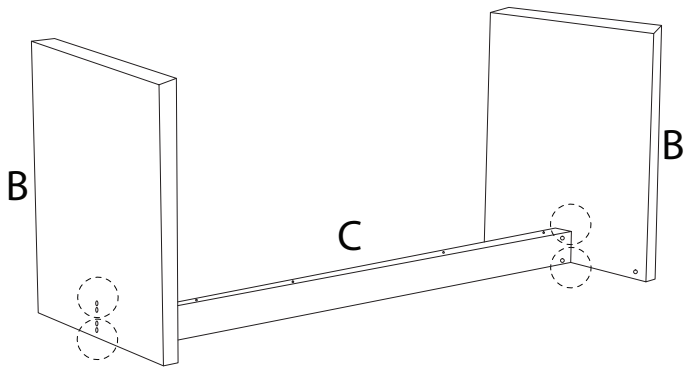
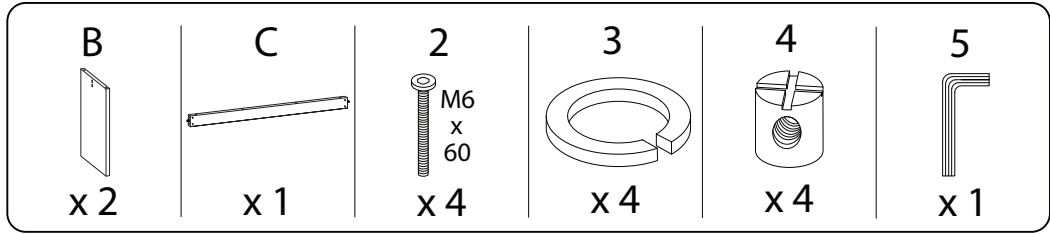
7



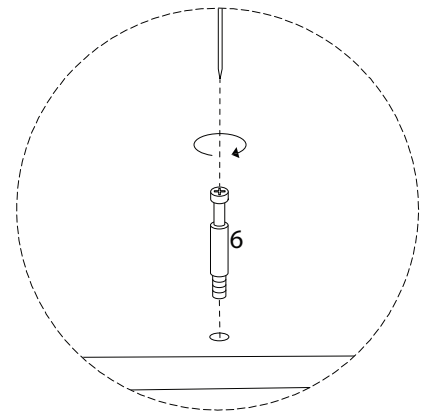
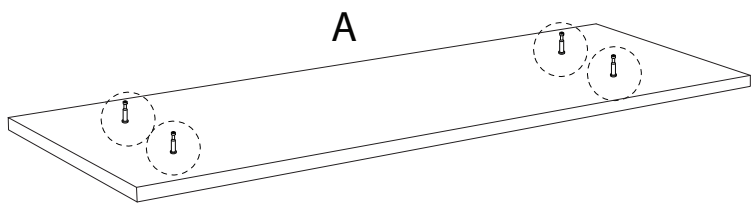
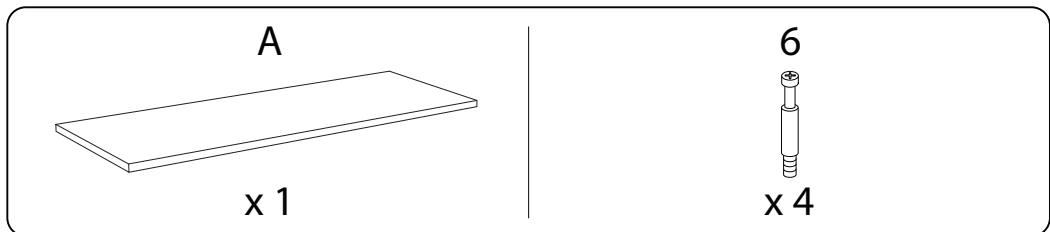
x 4



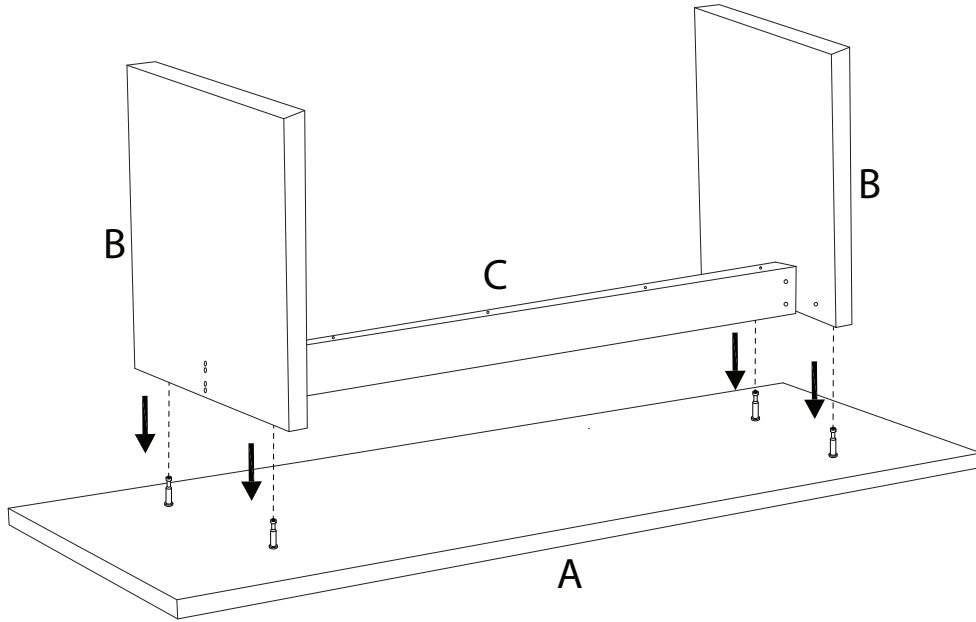
1



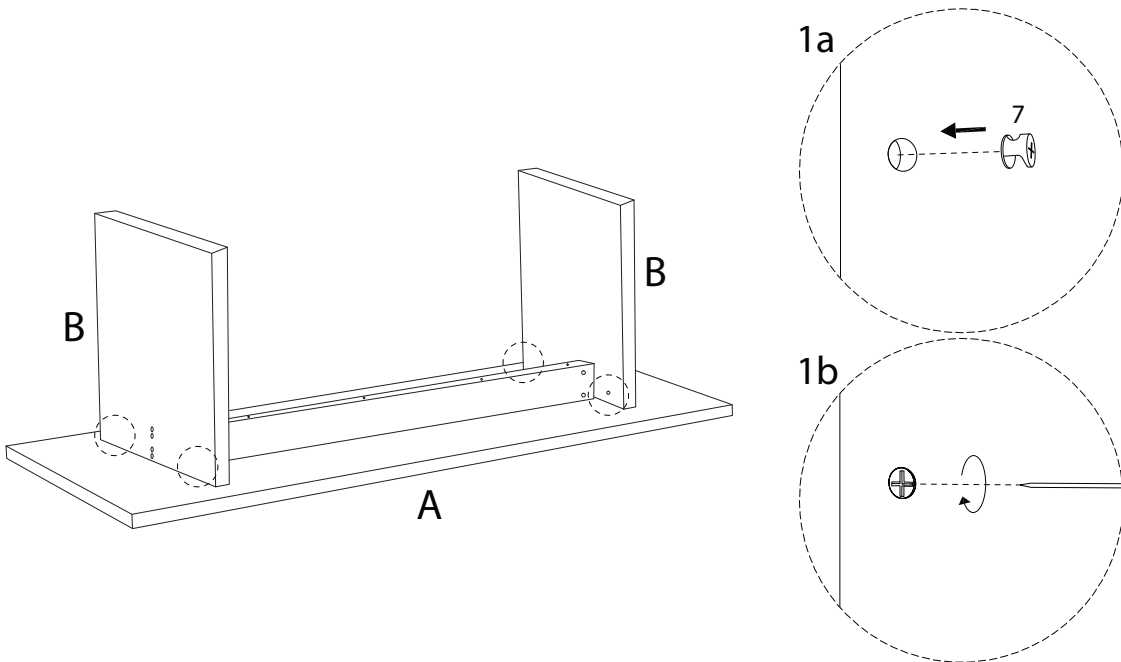
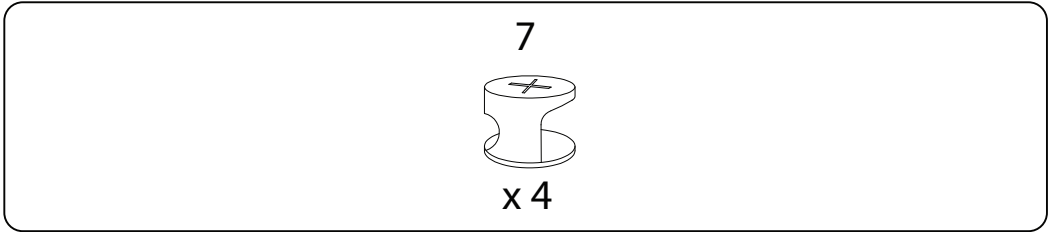
2



3

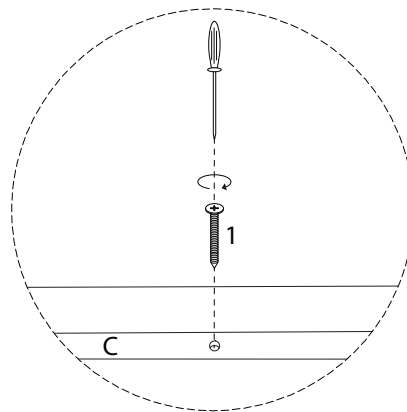
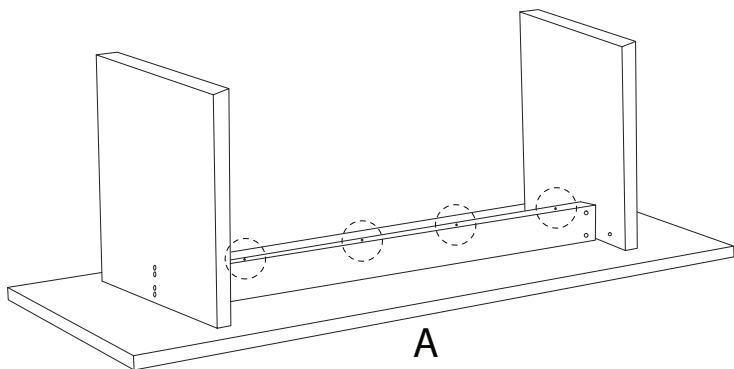


4



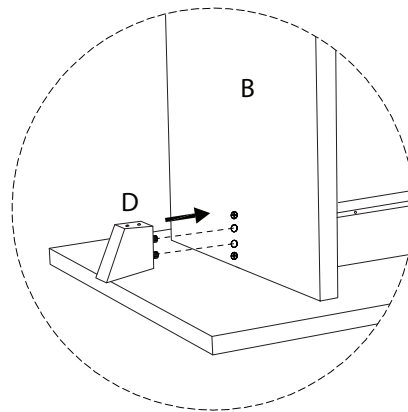
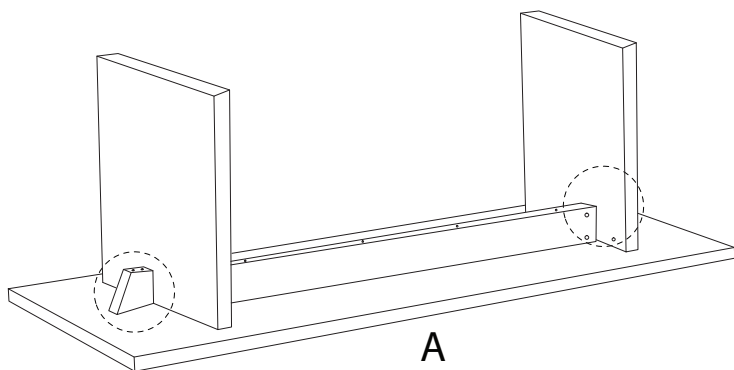
5

1  
M4  
x  
32  
x 4



6

D  
x 2



7

1  
M4  
x  
32  
x 4

