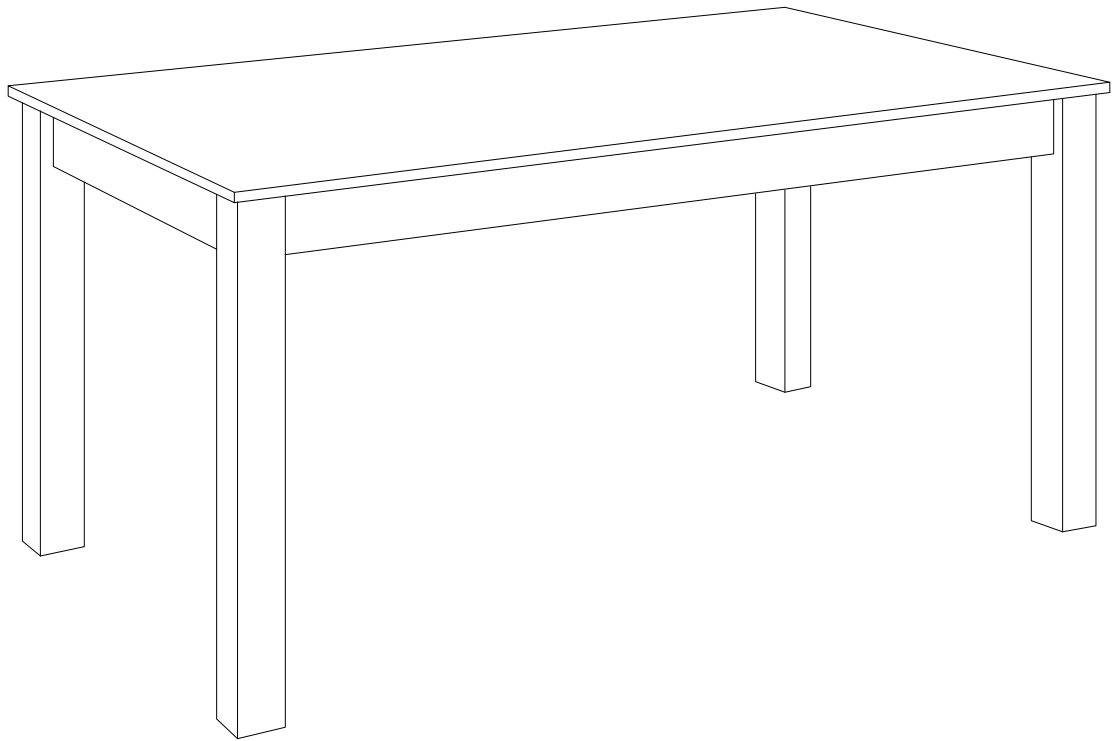


MADURA



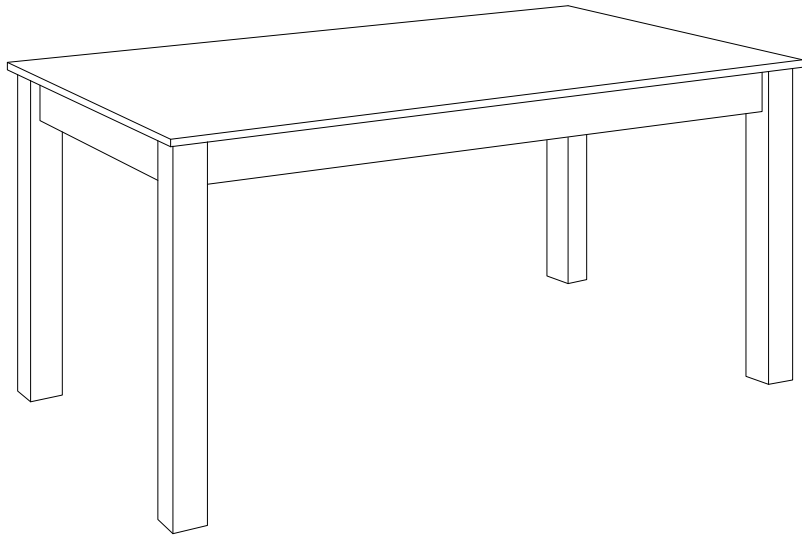
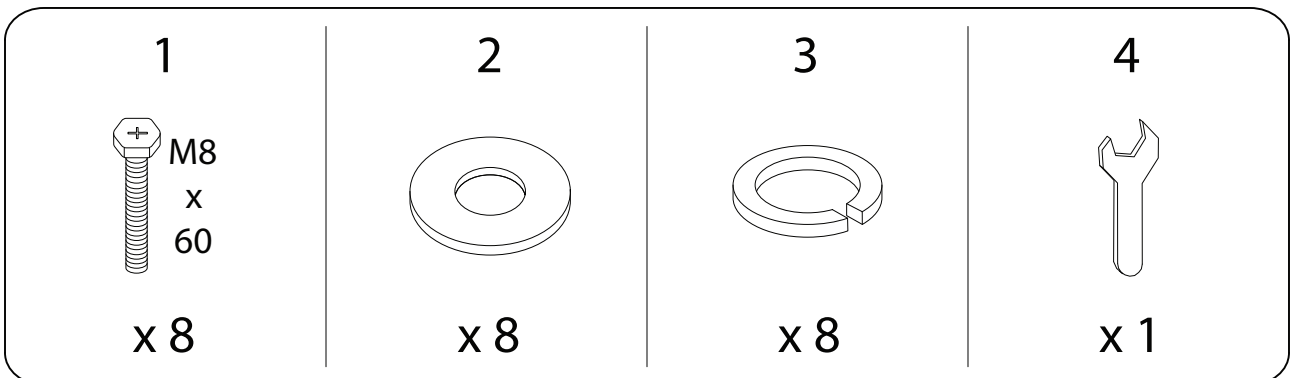
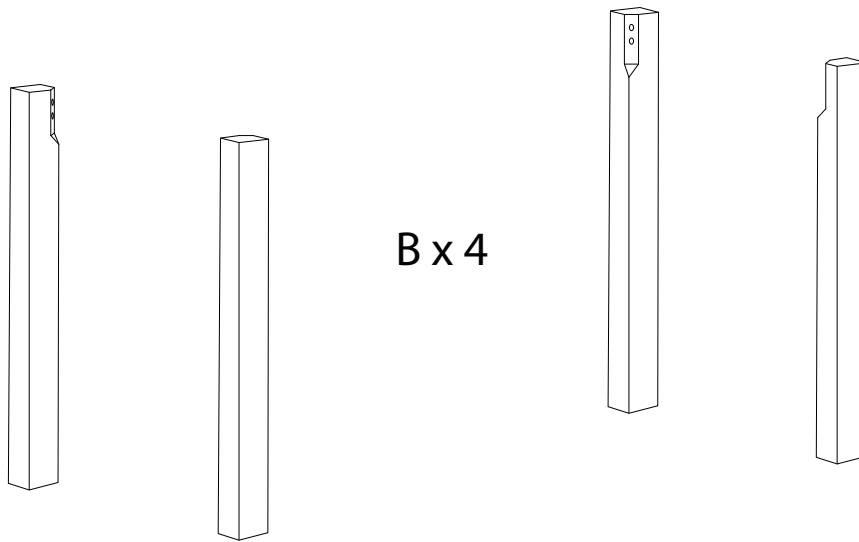
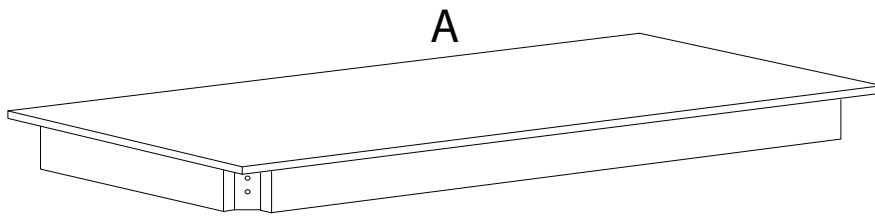
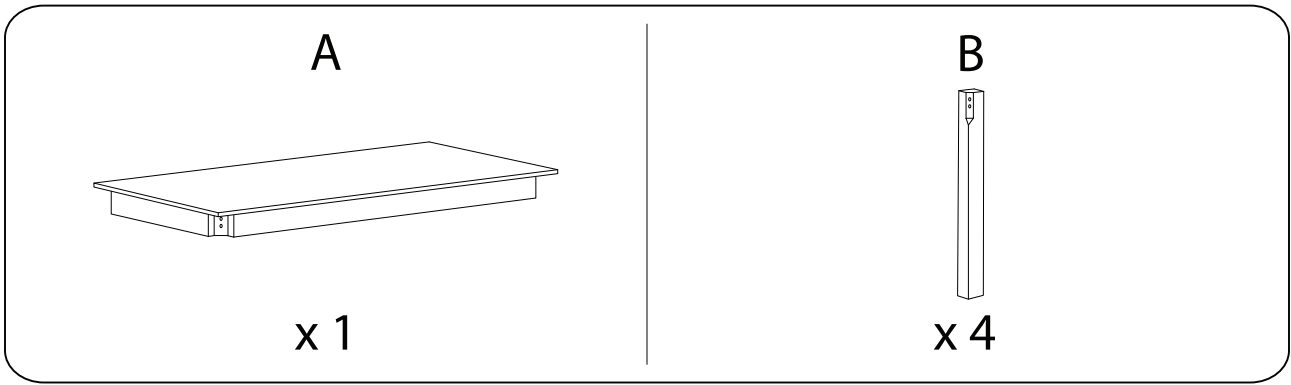




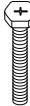

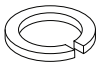

Diagram illustrating assembly instructions and safety warnings:

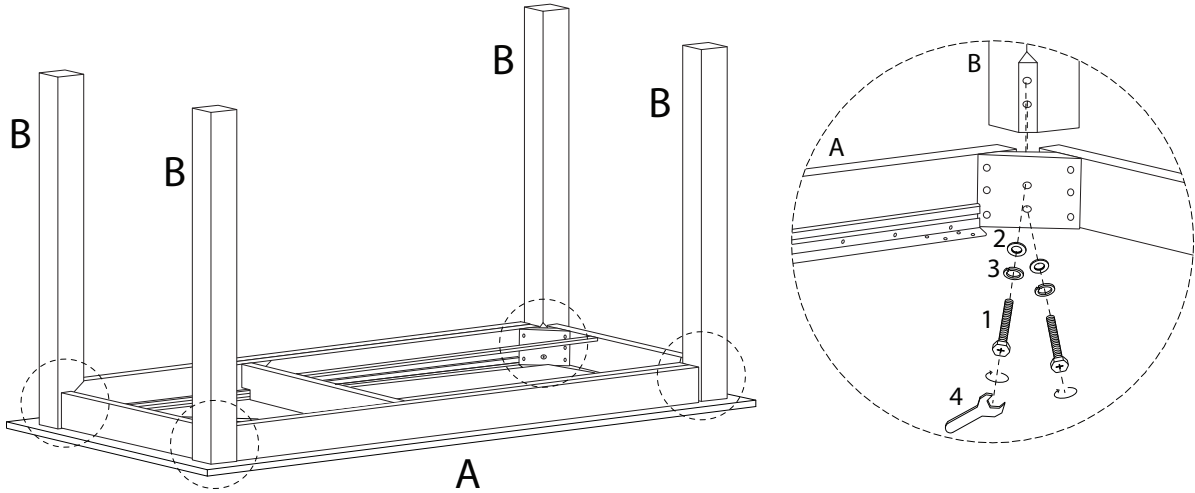
- Top Section:** A box containing a wrench icon, a crossed-out power drill icon, and a warning triangle. To the right is a clock icon with the text **40'** below it.
- Bottom Section:** A box containing an icon of a block on a mat, a crossed-out icon of a block being lifted, and a warning triangle. To the right is a person icon with the text **2** below it.

1/4

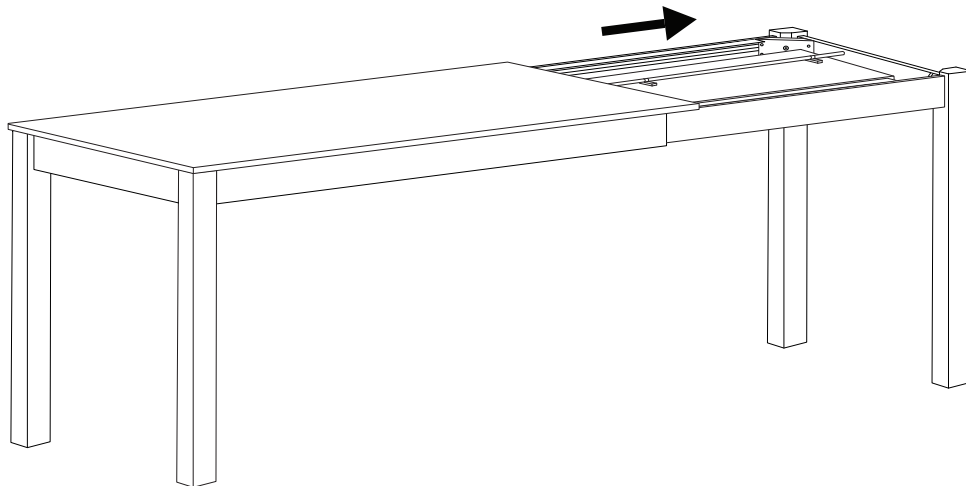


1

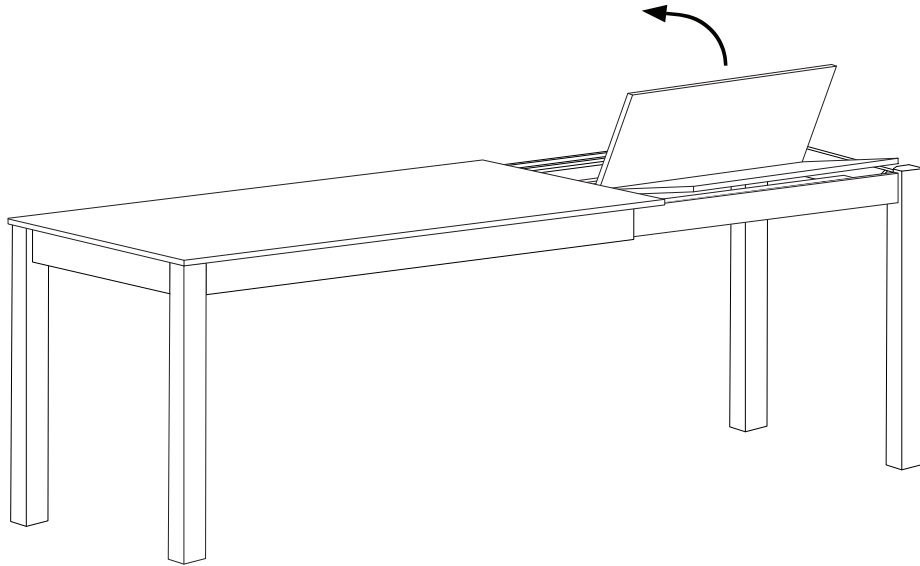
A  x 1	B  x 4	1  M8 x 60x x 8	2  x 8	3  x 8	4  x 1
--	--	--	---	--	--



2



3



4

