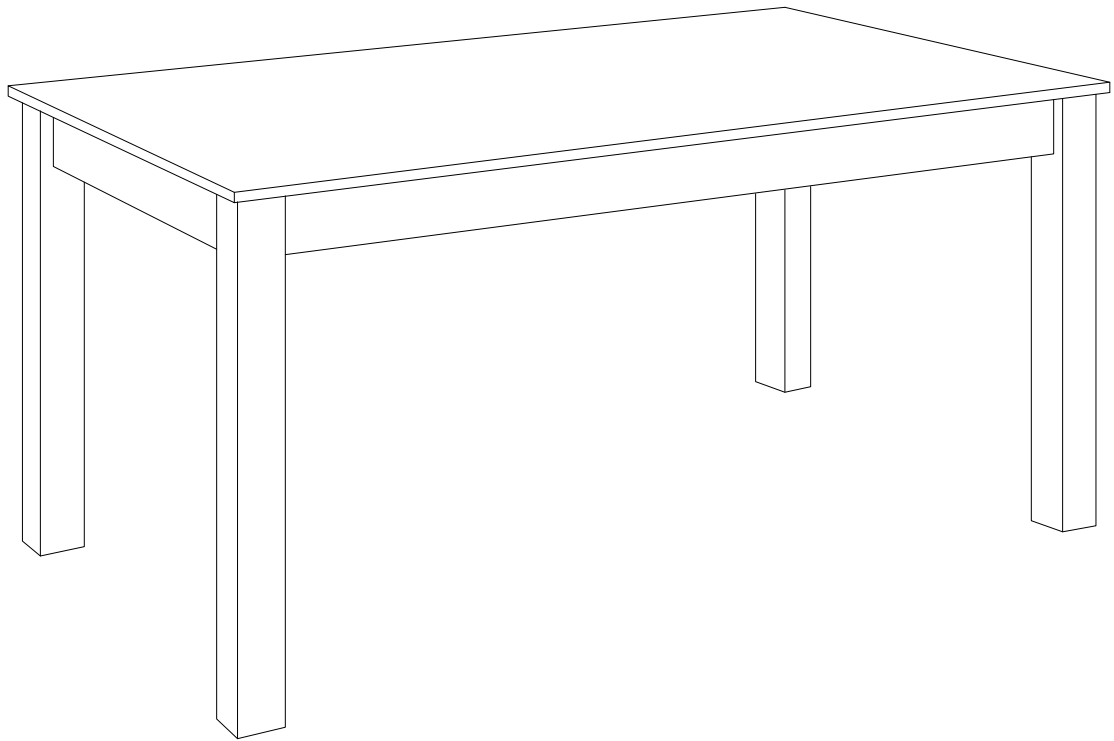


MADURA



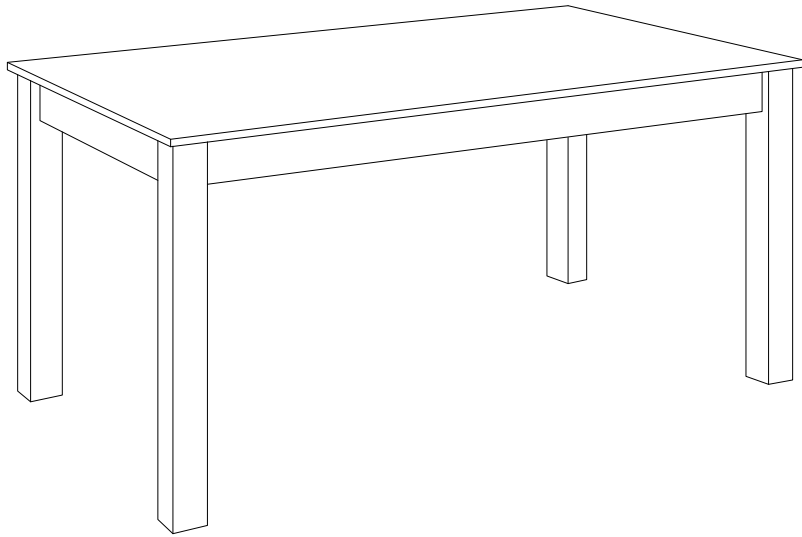
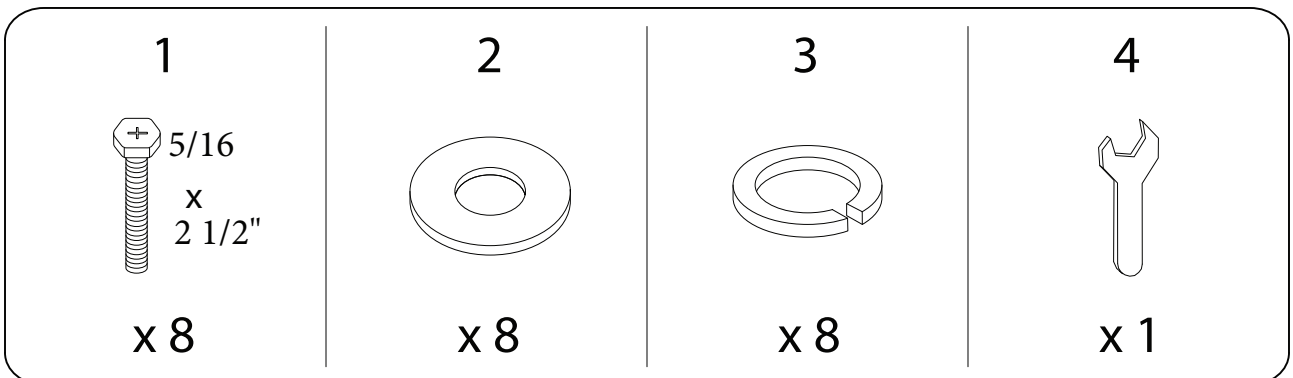
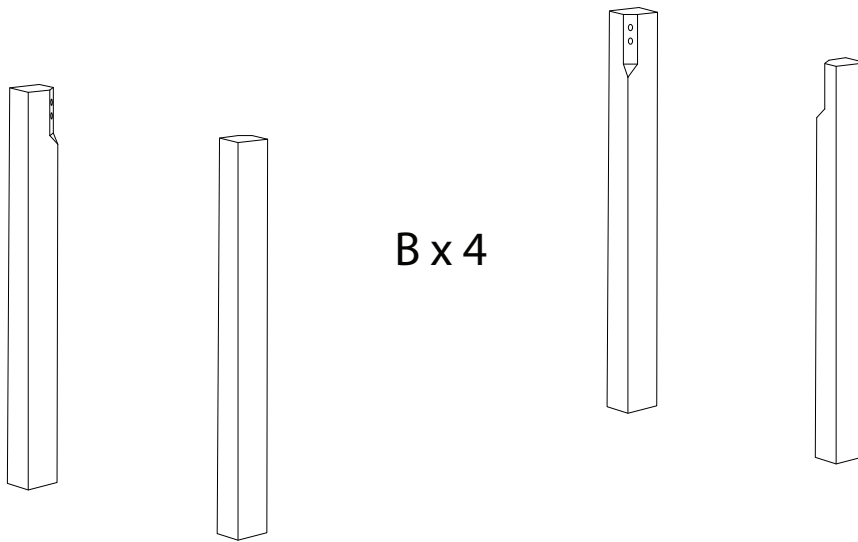
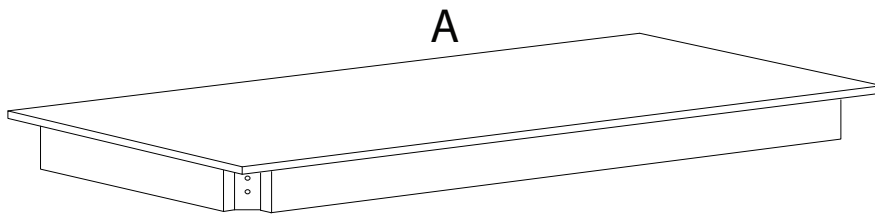
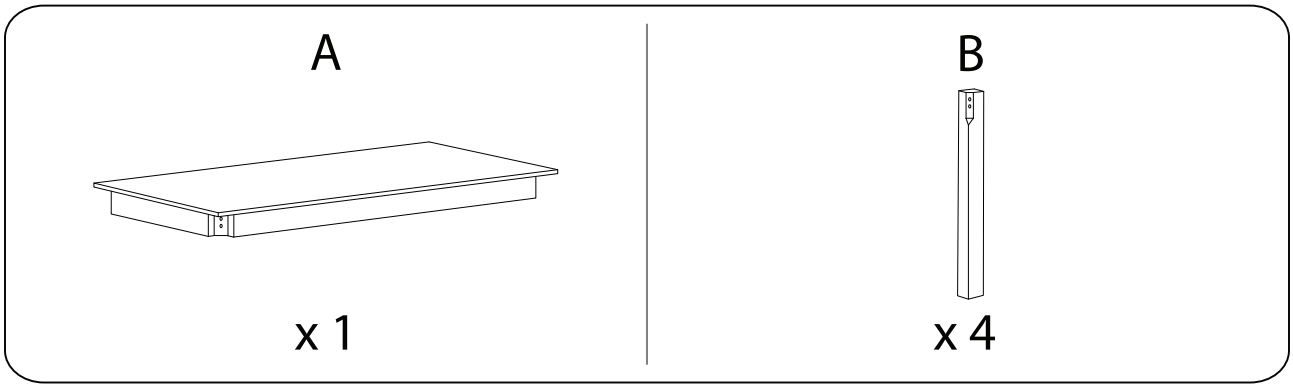


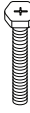
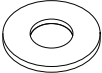
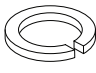



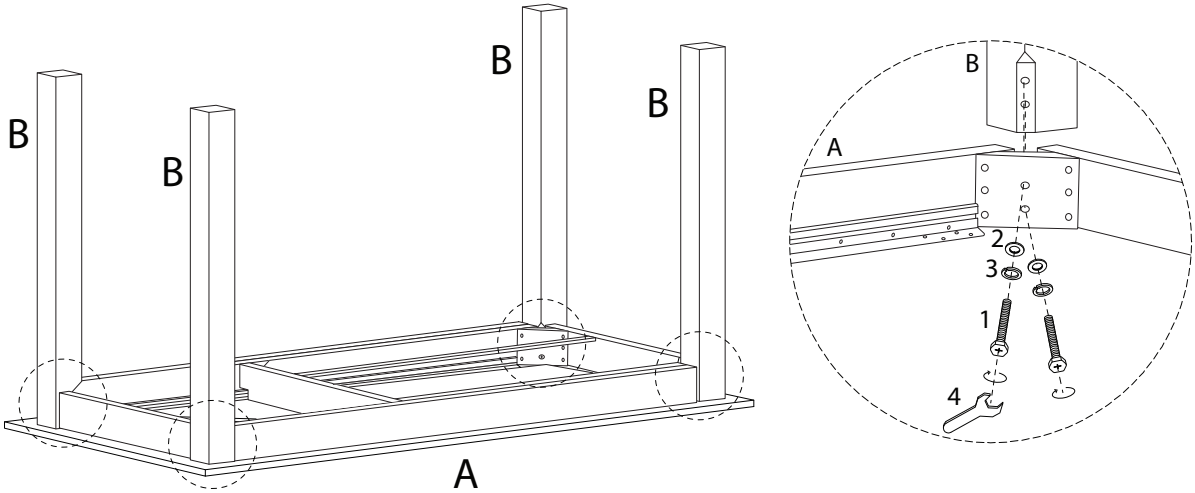
Diagram illustrating assembly instructions and safety warnings:

- Top Section:** A box containing a wrench icon and a crossed-out power drill icon, with a warning triangle above it. To the right is a clock icon with the text **40'** below it.
- Bottom Section:** A box containing an icon of a block on a mat and a crossed-out icon of a block being lifted, with a warning triangle above it. To the right is a person icon with the text **2** below it.

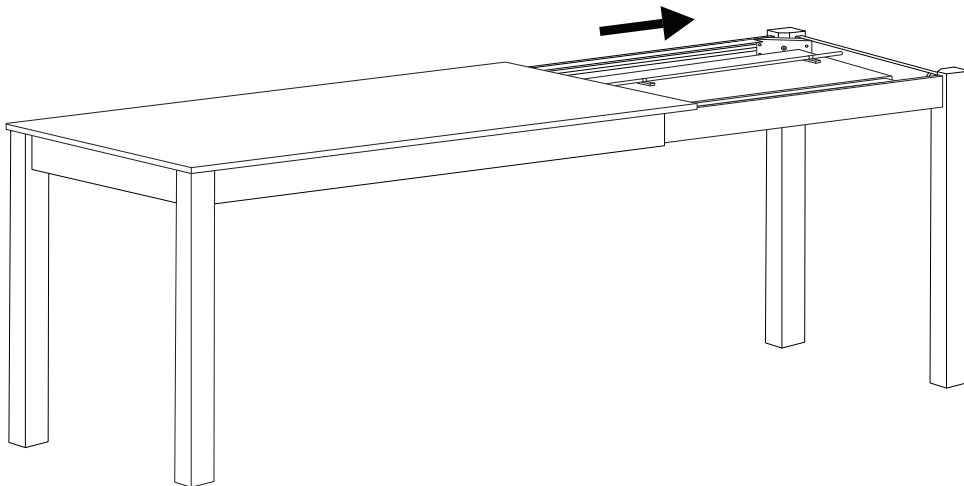


1

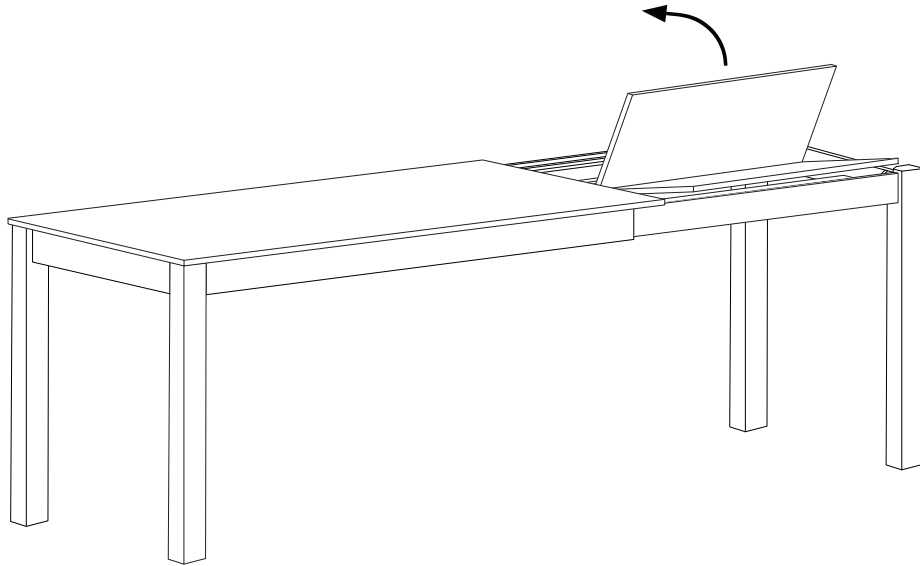
A  x 1	B  x 4	1  5/16 x 2 1/2" x 8	2  x 8	3  x 8	4  x 1
--	--	---	---	--	--



2



3



4

