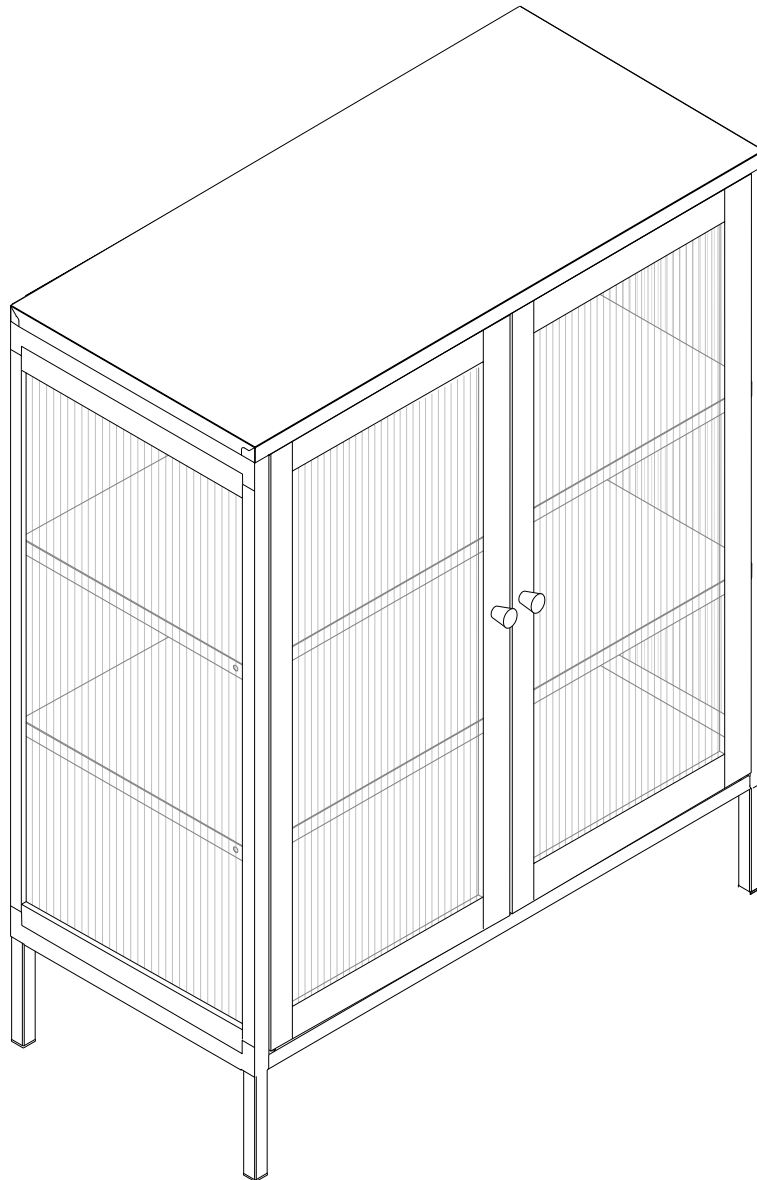
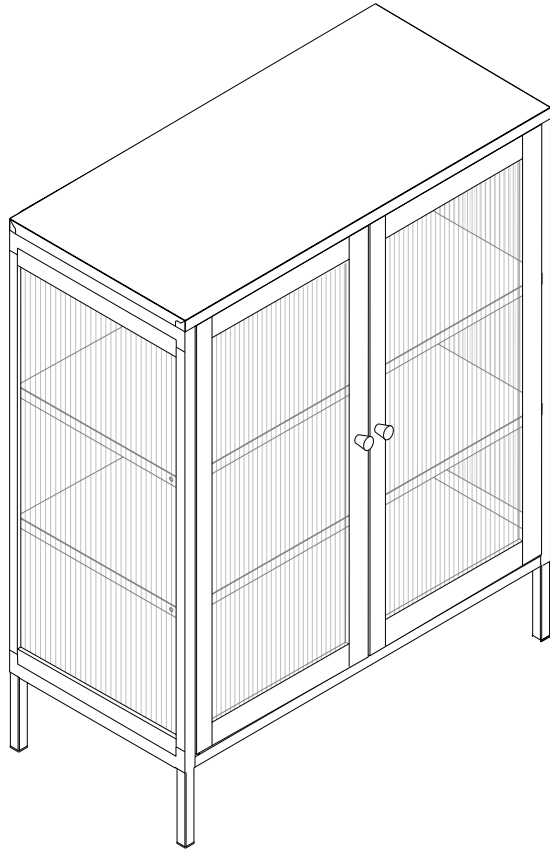


# LERRYN





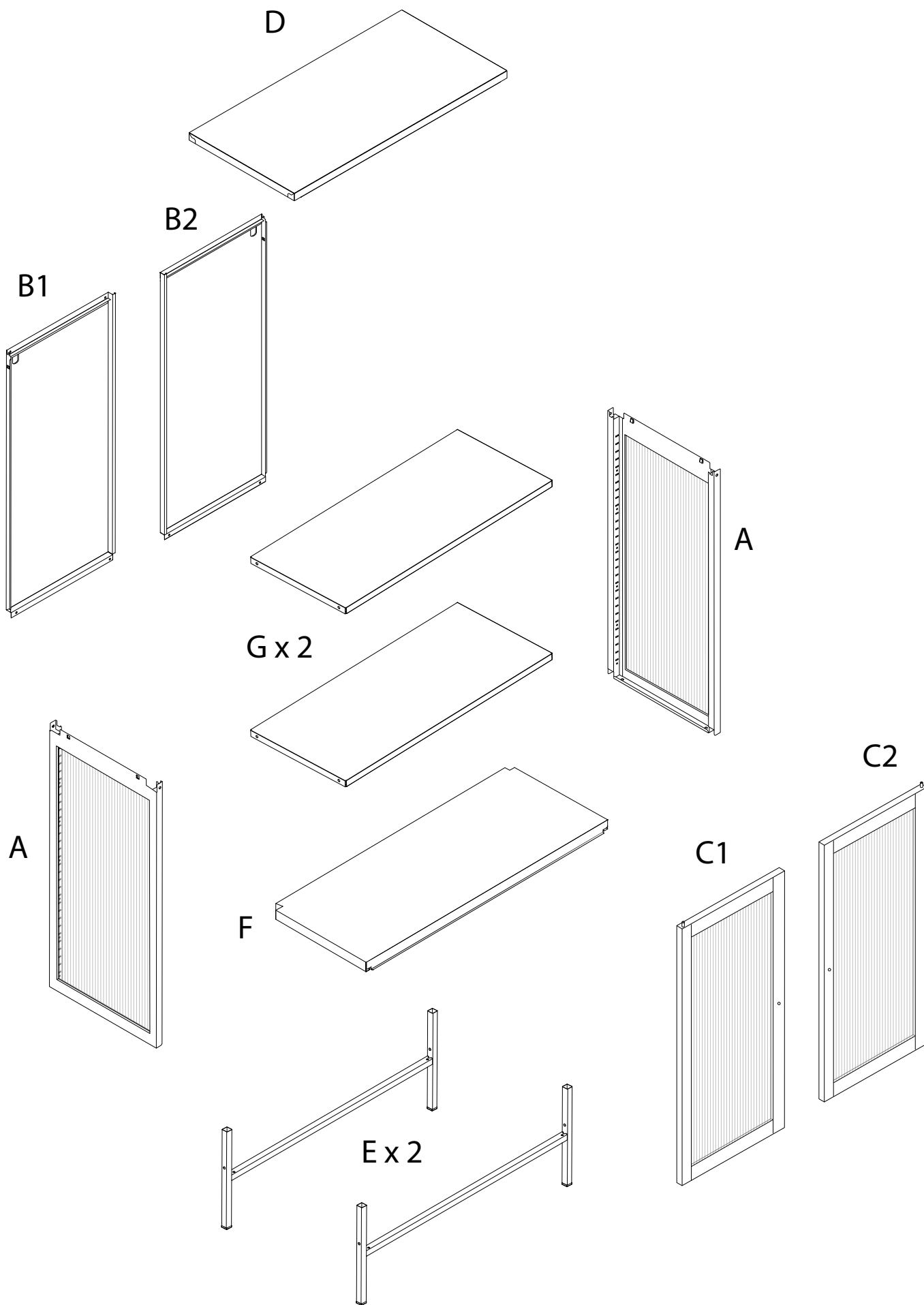
Assembly instructions for the cabinet, including safety warnings and required resources.

**Warning 1:** A triangle with an exclamation mark indicates a warning. The associated icons show a screwdriver and a power drill with a diagonal line through them, indicating that a power drill should not be used for assembly.

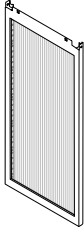
**Warning 2:** A triangle with an exclamation mark indicates a warning. The associated icons show a rectangular block being placed on a surface and another block being lifted, indicating that the cabinet should be placed on a soft surface and lifted by two people.

**Time:** A clock icon with the text "30'" indicates that the assembly process should take approximately 30 minutes.

**Personnel:** An icon of a person with the number "2" below it indicates that two people are required for assembly.



A



x 2

B1



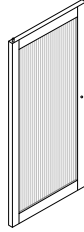
x 1

B2



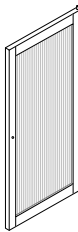
x 1

C1



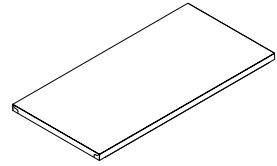
x 1

C2



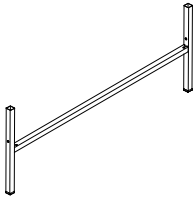
x 1

D



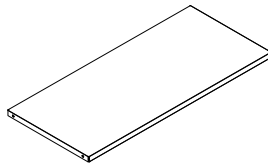
x 1

E



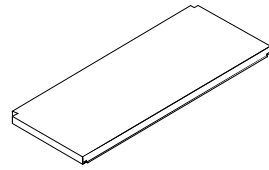
x 2

F



x 1

G



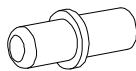
x 2

1



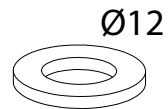
x 34

2



x 2

3



x 2

4



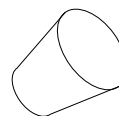
x 2

5



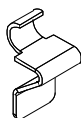
x 2

6



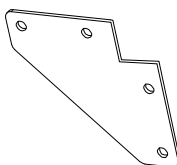
x 2

7



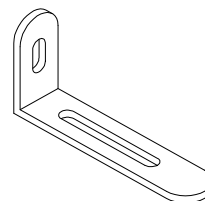
x 8

8



x 4

9



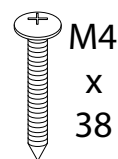
x 2

10



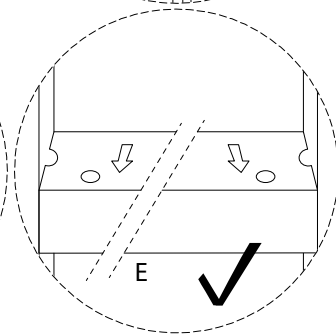
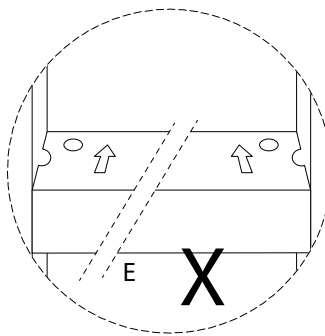
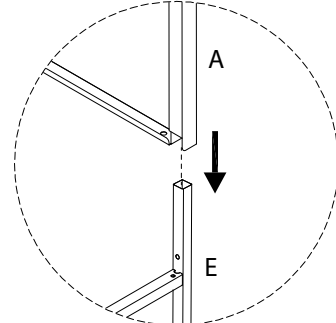
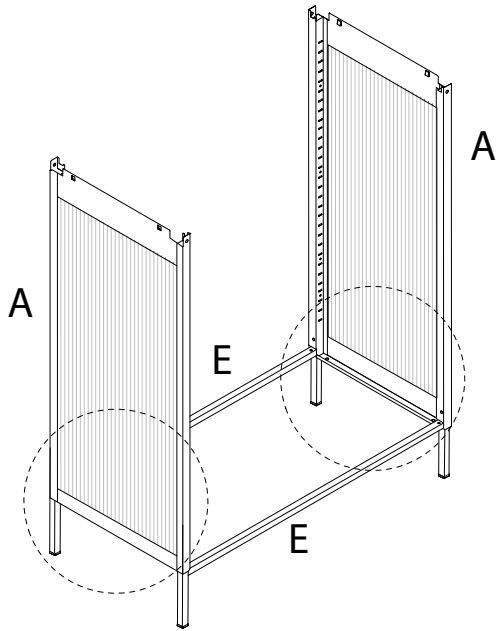
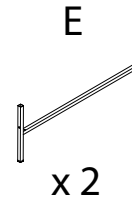
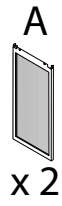
x 2

11

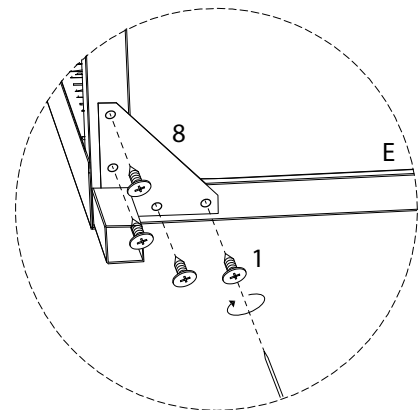
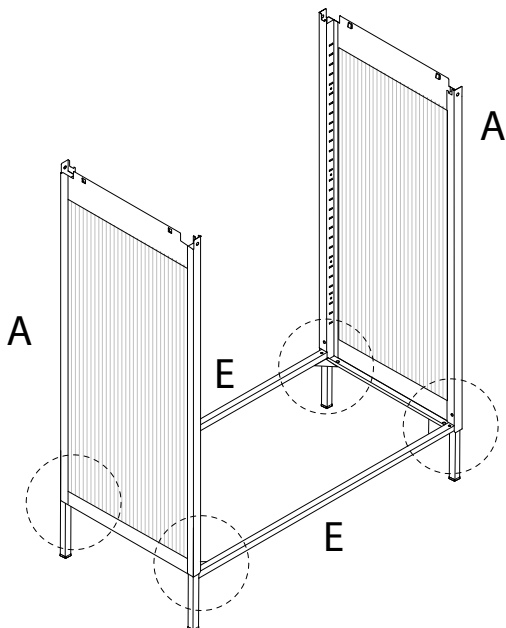
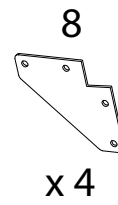
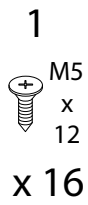


x 2

1



2



3

B1

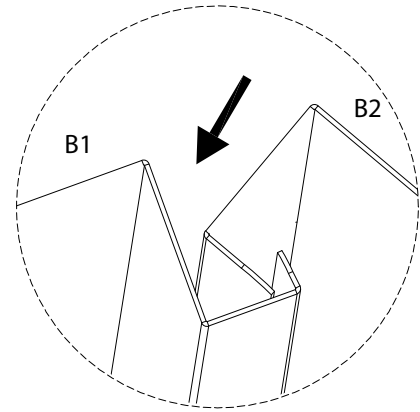
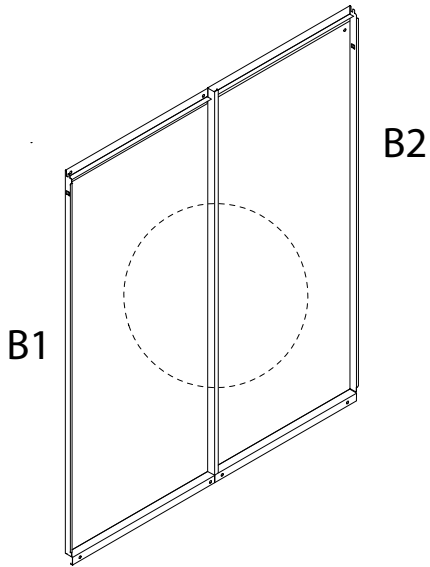


x 1

B2



x 1

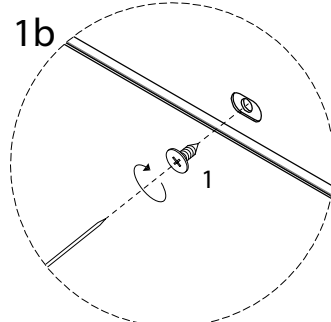
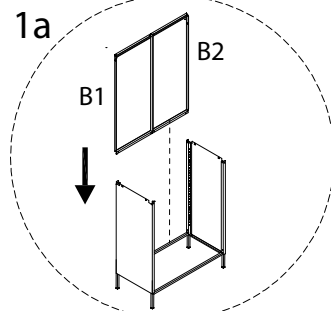
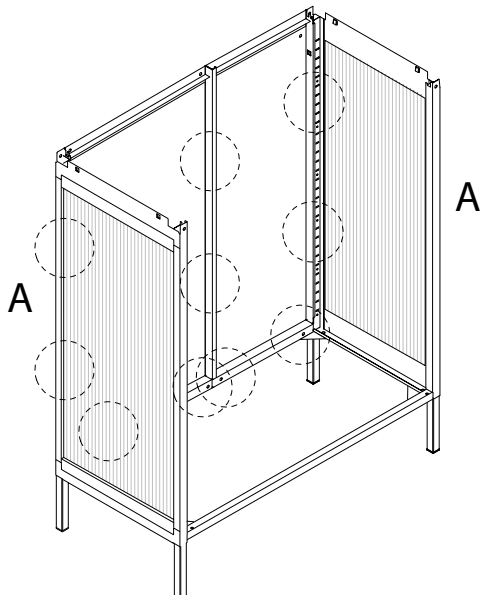


4

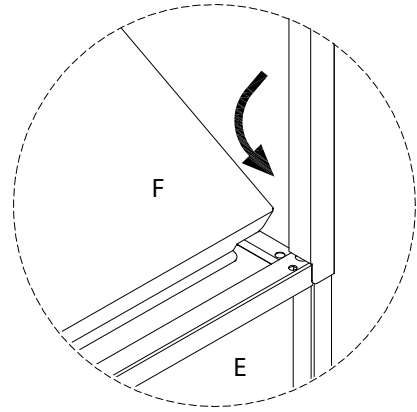
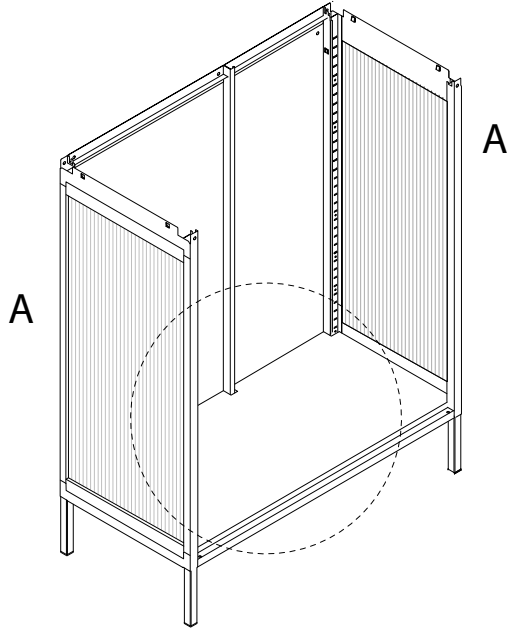
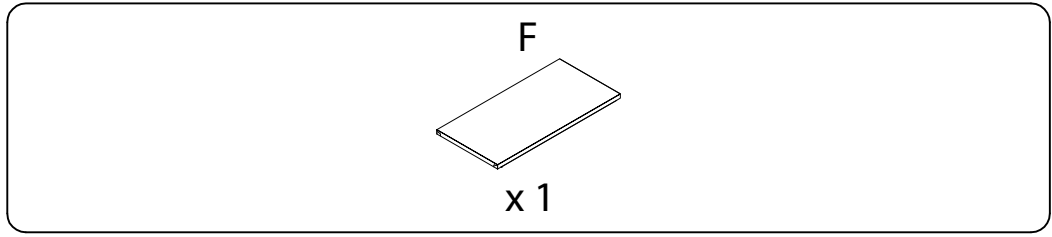
1



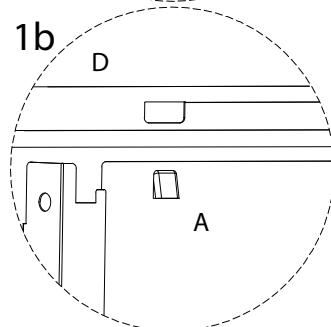
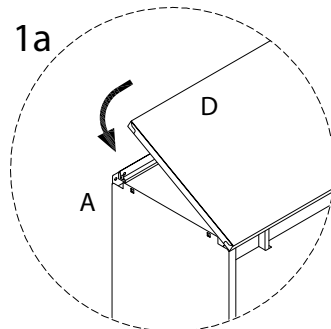
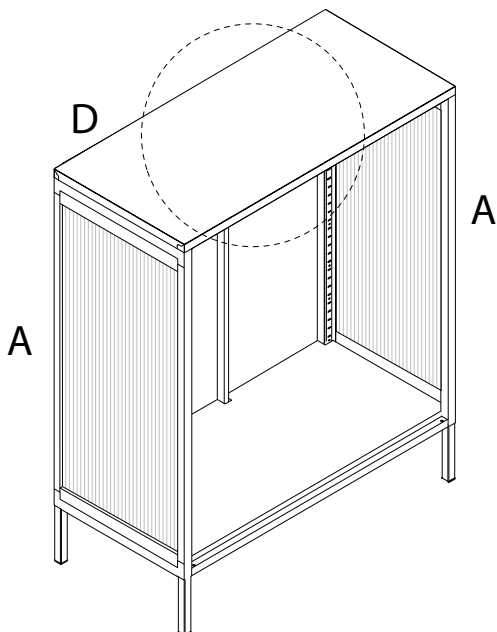
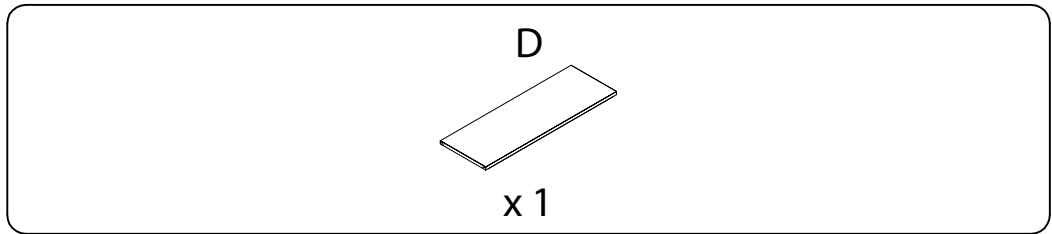
x 10



5



6

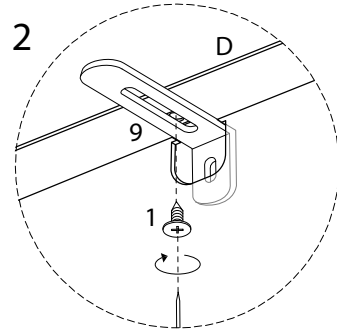
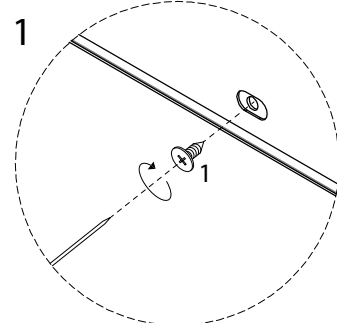
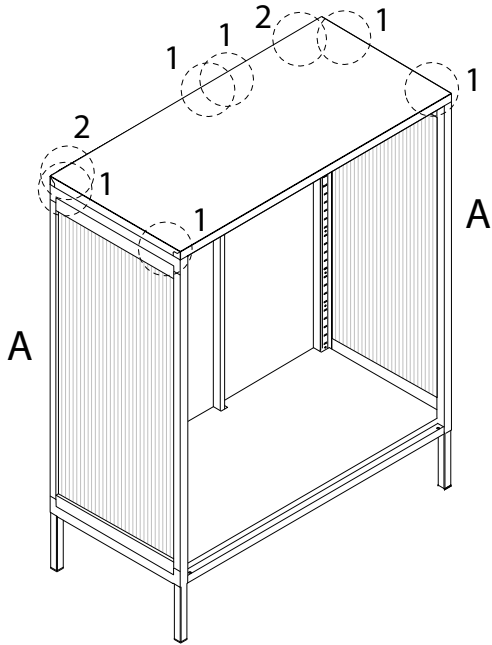




7

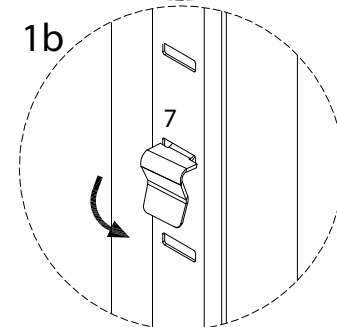
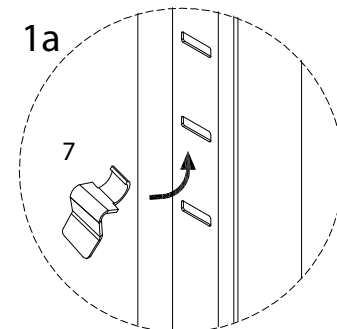
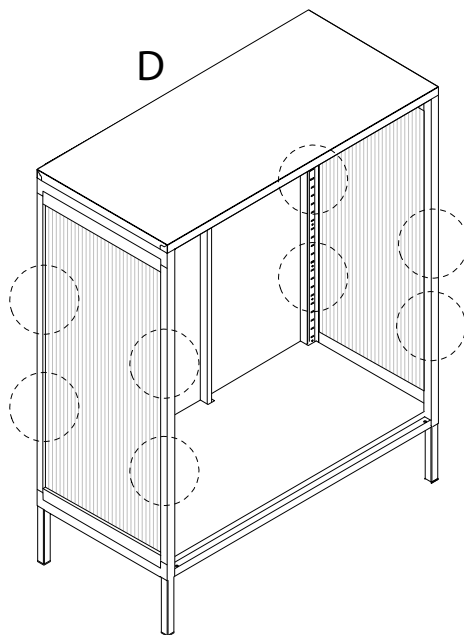
1  
M5  
x  
12  
x 8

9  
x 2

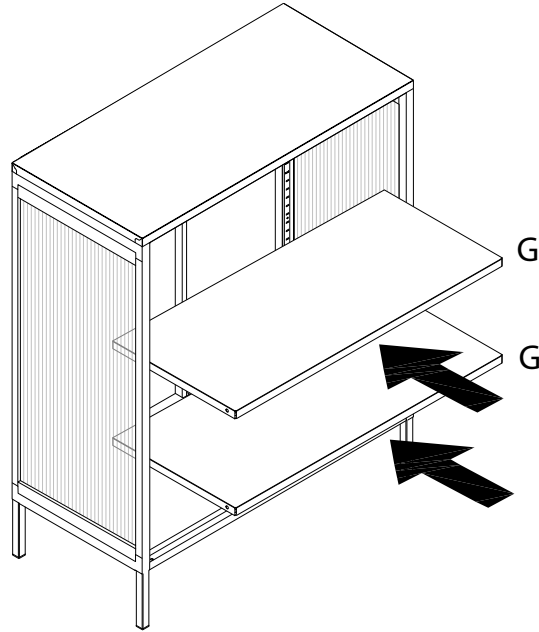
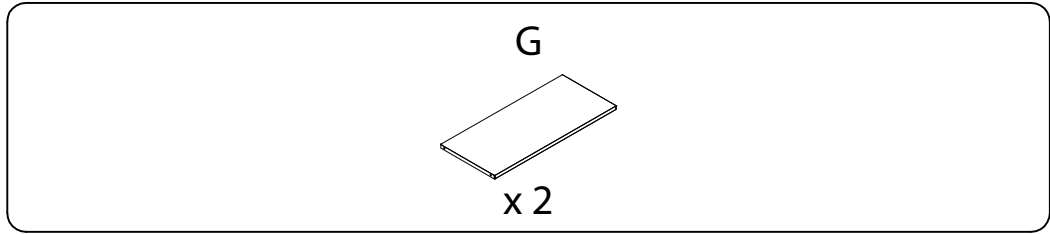


8

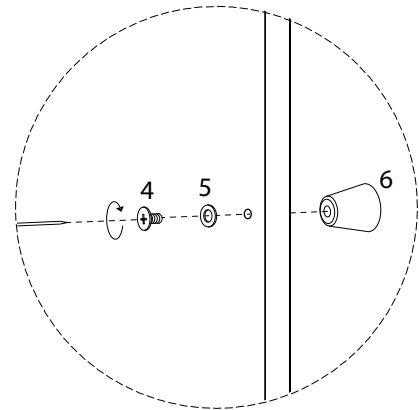
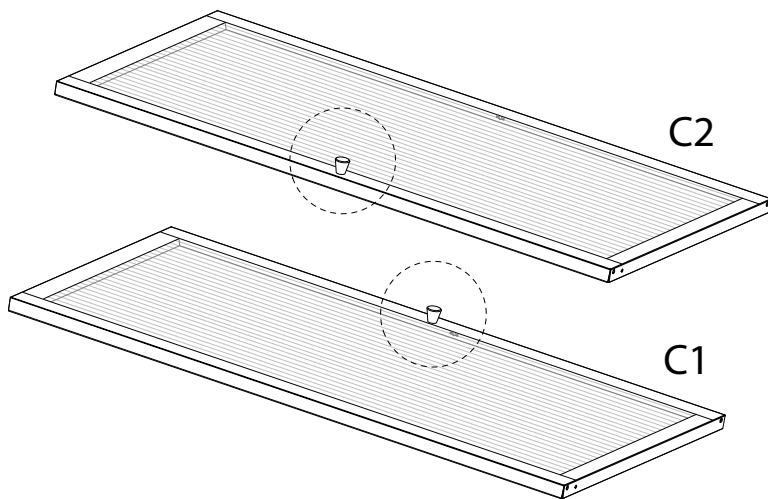
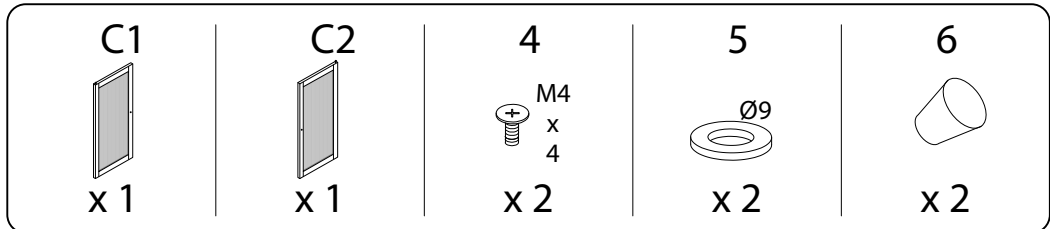
7  
x 4



9

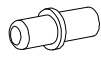


10



11

2

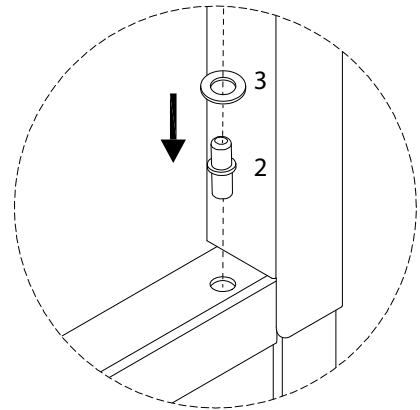
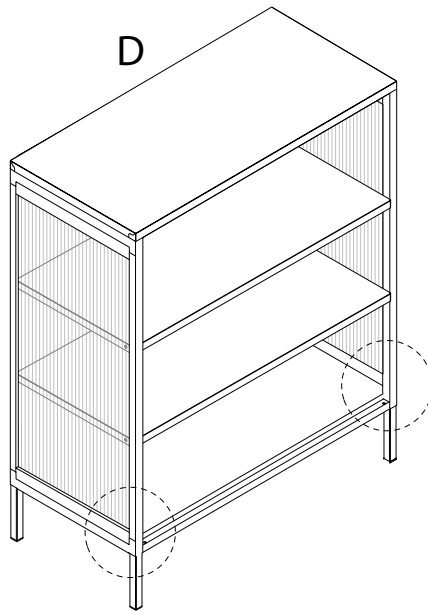


x 2

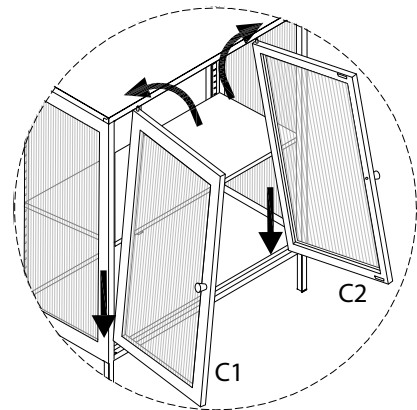
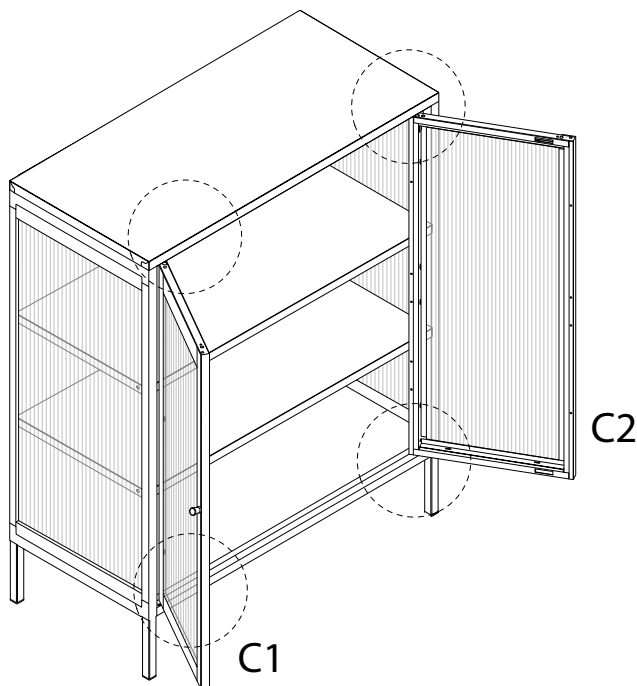
3



x 2



12



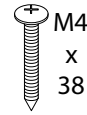
13

10



x 2

11



x 2

