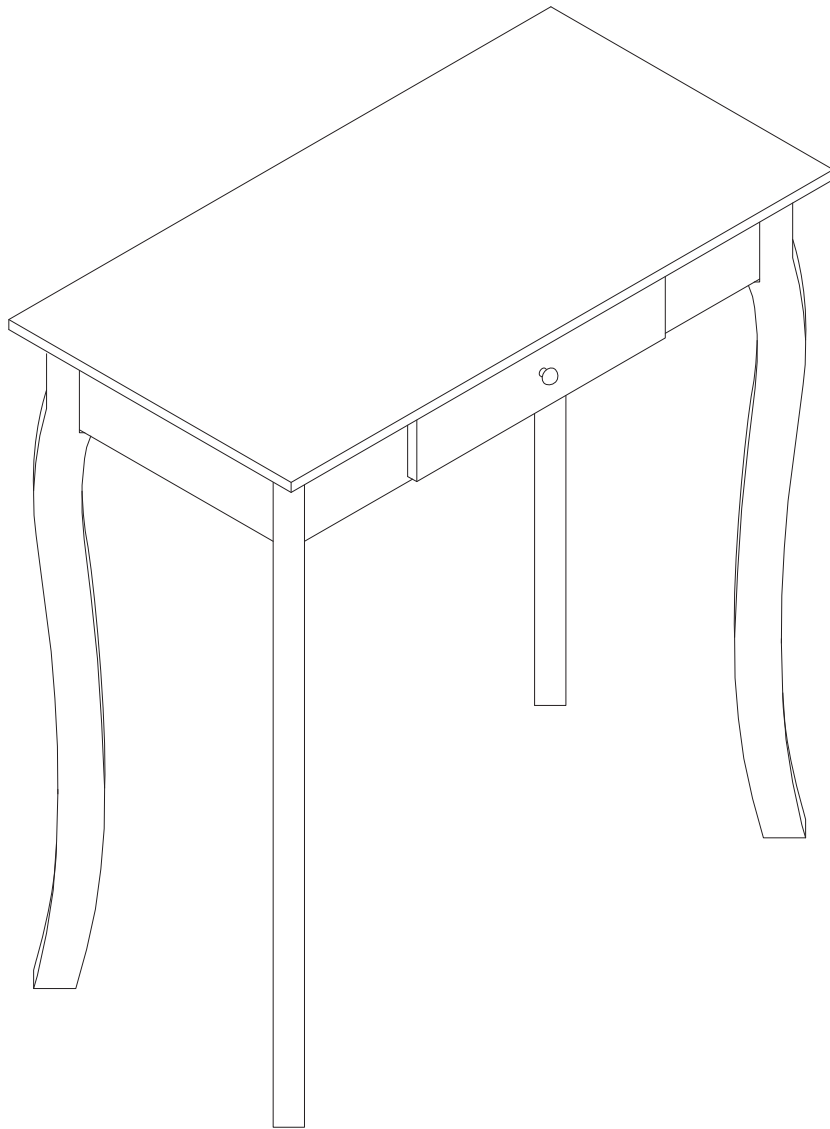
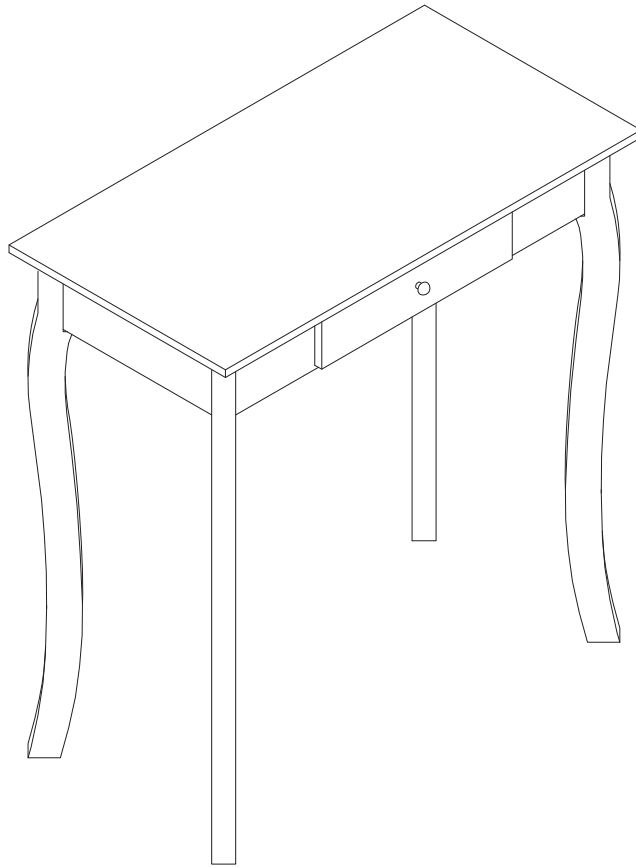


# ALBIA





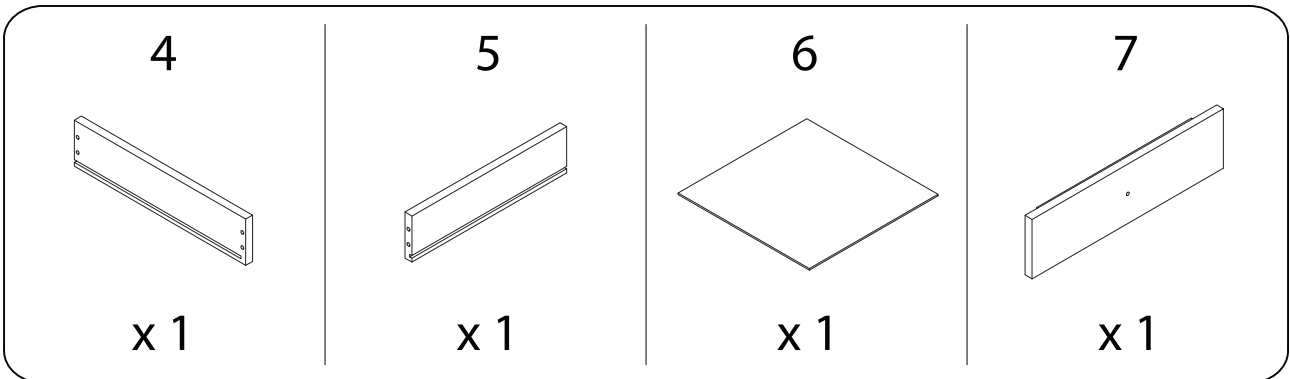
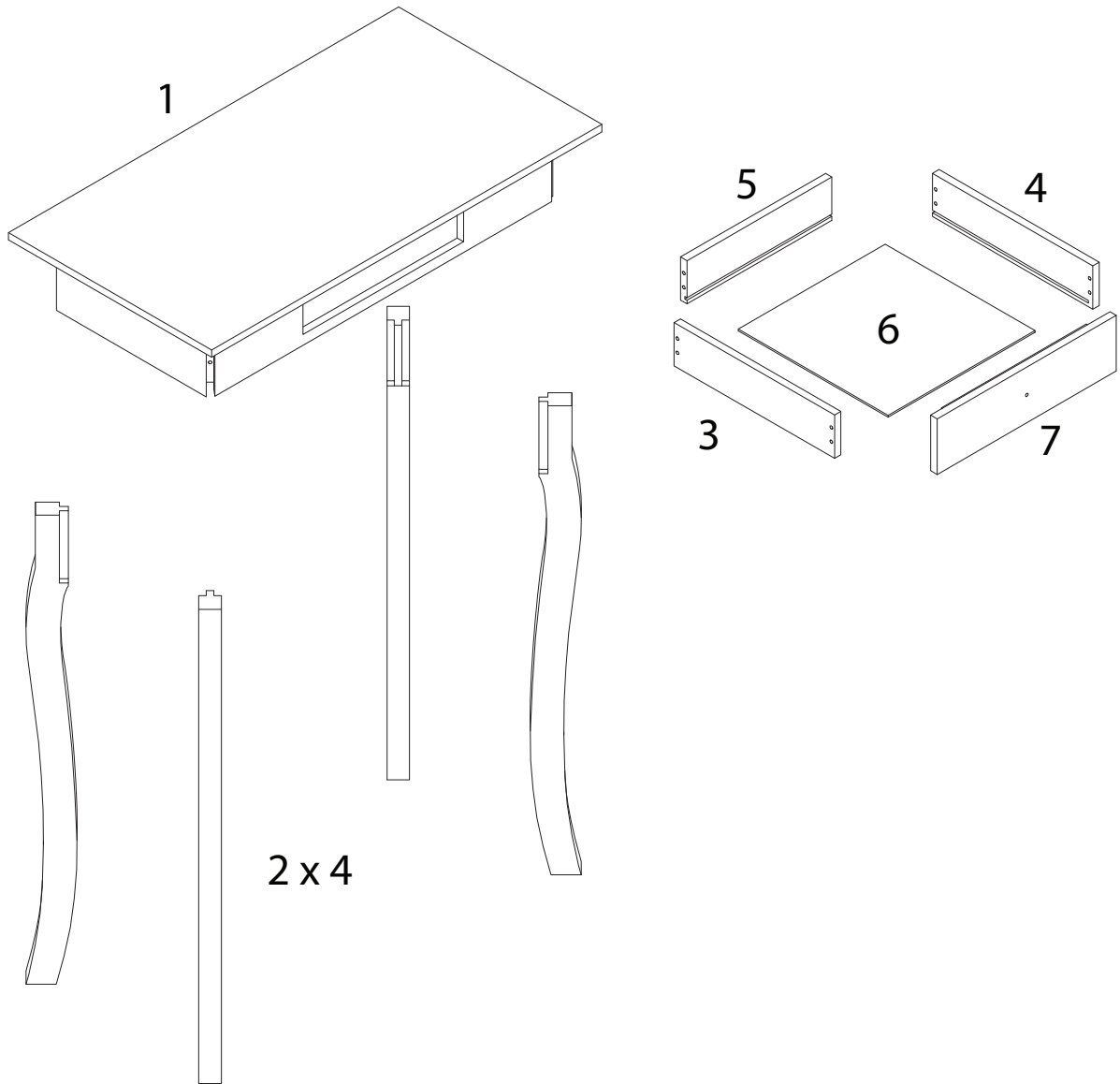
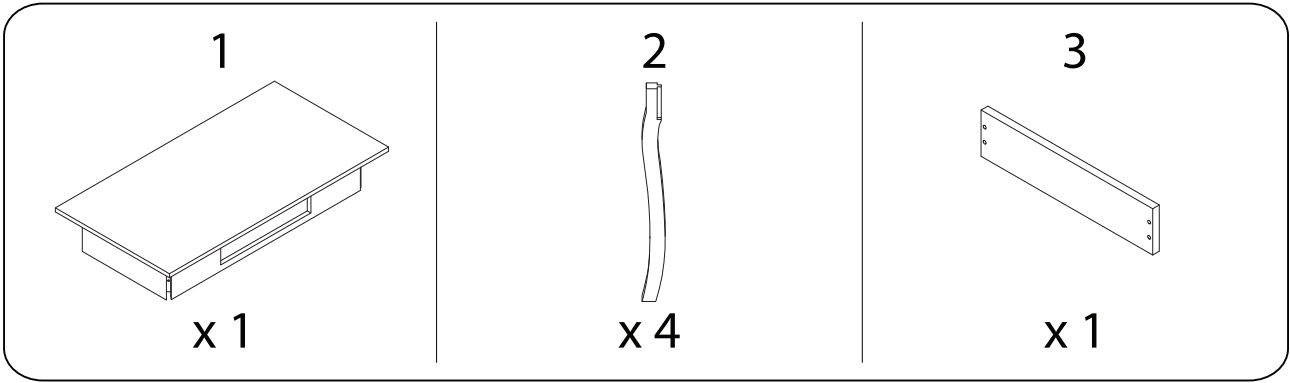
Assembly instructions for the table, including tool requirements, time, and person count.

**Tools:** A circle containing a screwdriver and an Allen key. A power drill is shown with a diagonal line through it, indicating it is not required.

**Time:** A clock icon with the text "30'" below it, indicating the estimated assembly time.

**Personnel:** A person icon with the number "1" below it, indicating the number of people required for assembly.

**Warnings:** Two warning triangles (exclamation marks) are present. The first is connected to the tool icons, and the second is connected to a diagram of a table leg being inserted into a hole in the table top.

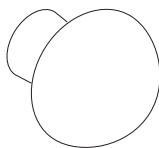


A



x 8

B



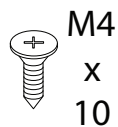
x 1

C



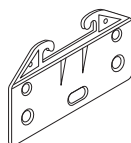
x 1

D



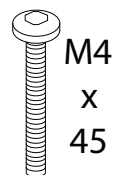
x 2

E



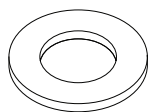
x 1

F



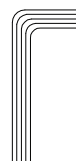
x 8

G



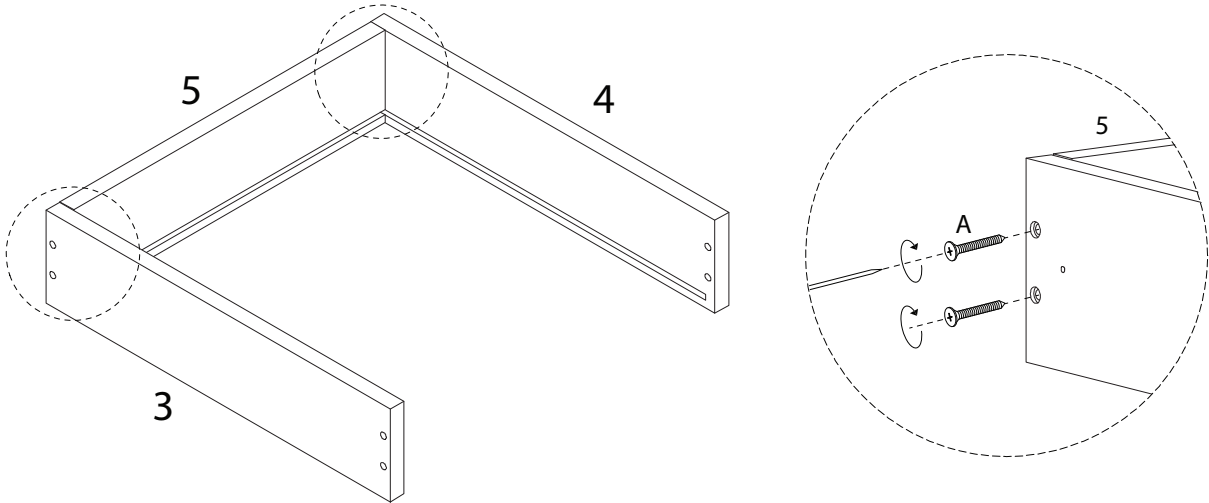
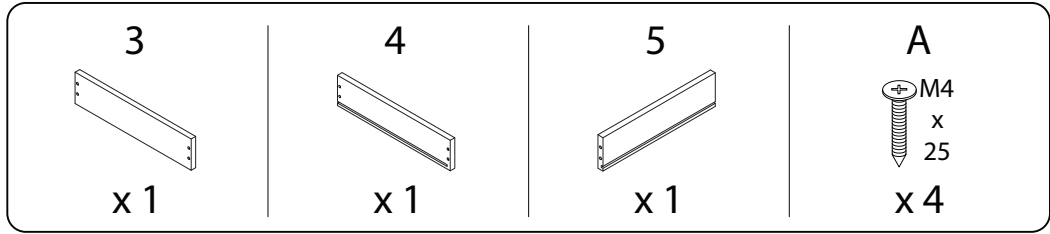
x 8

H

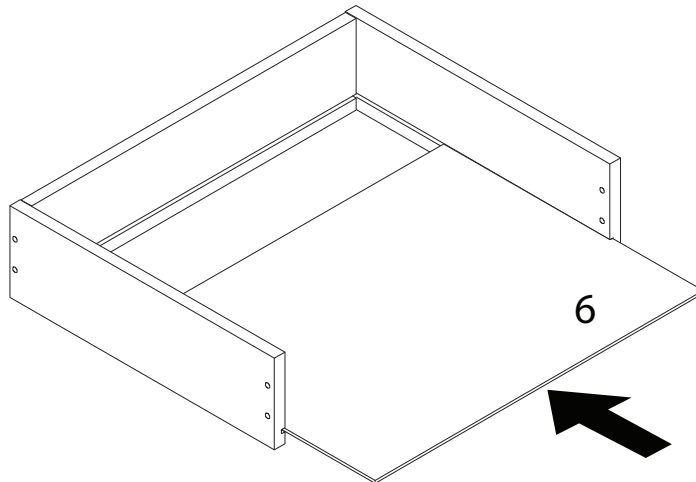
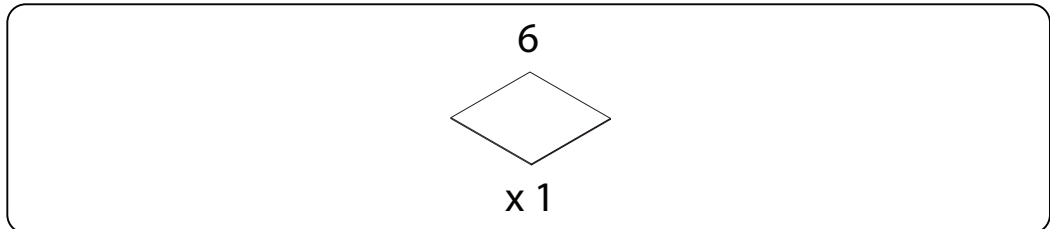


x 1

1

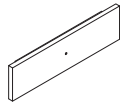


2



3

7

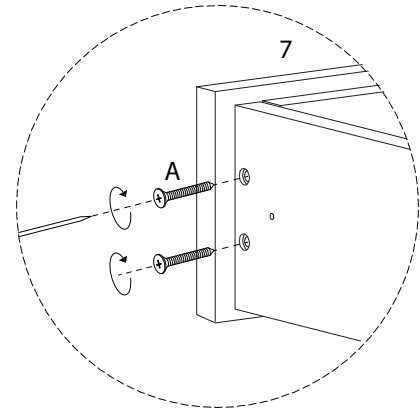
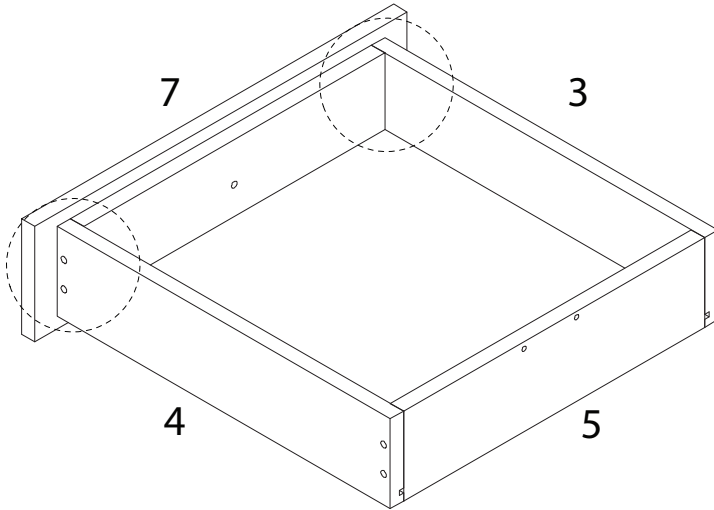


x 1

A



x 4



4

B

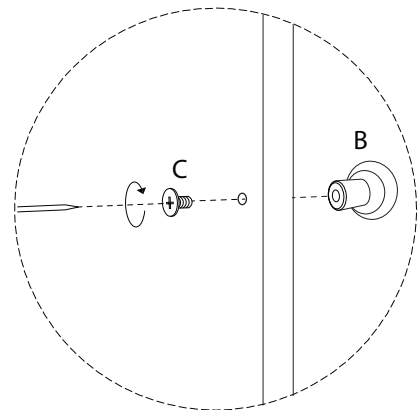
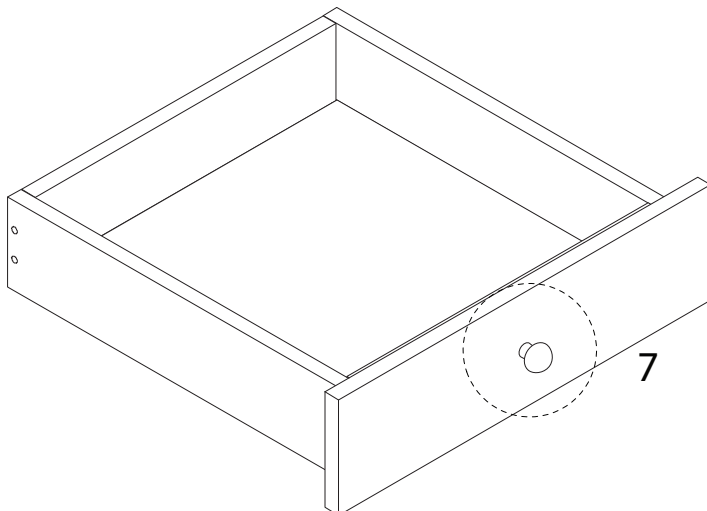


x 1

C



x 1



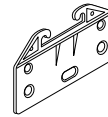
5

D

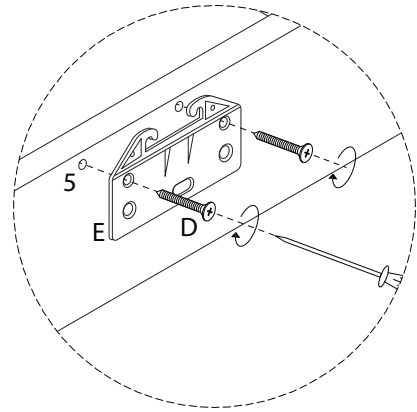
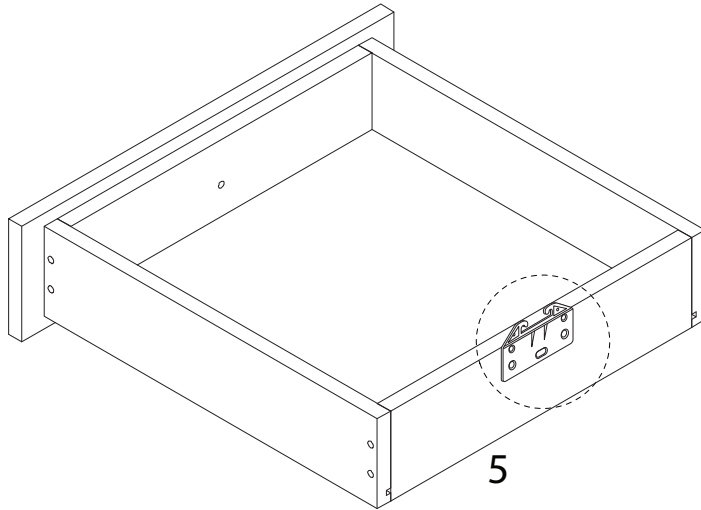


x 2

E

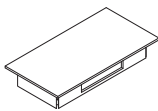


x 1



6

1



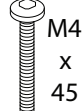
x 1

2



x 4

F



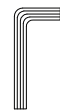
x 8

G

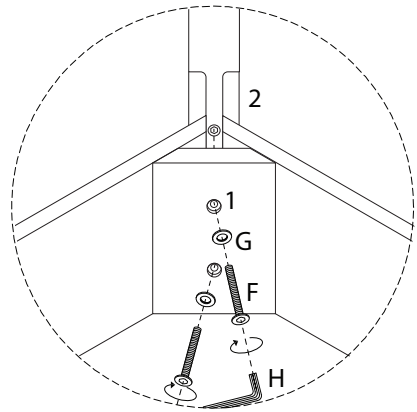
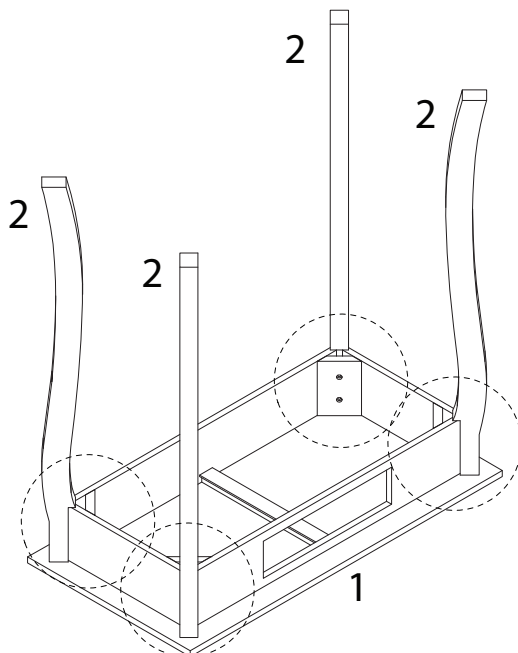


x 8

H



x 1



7

