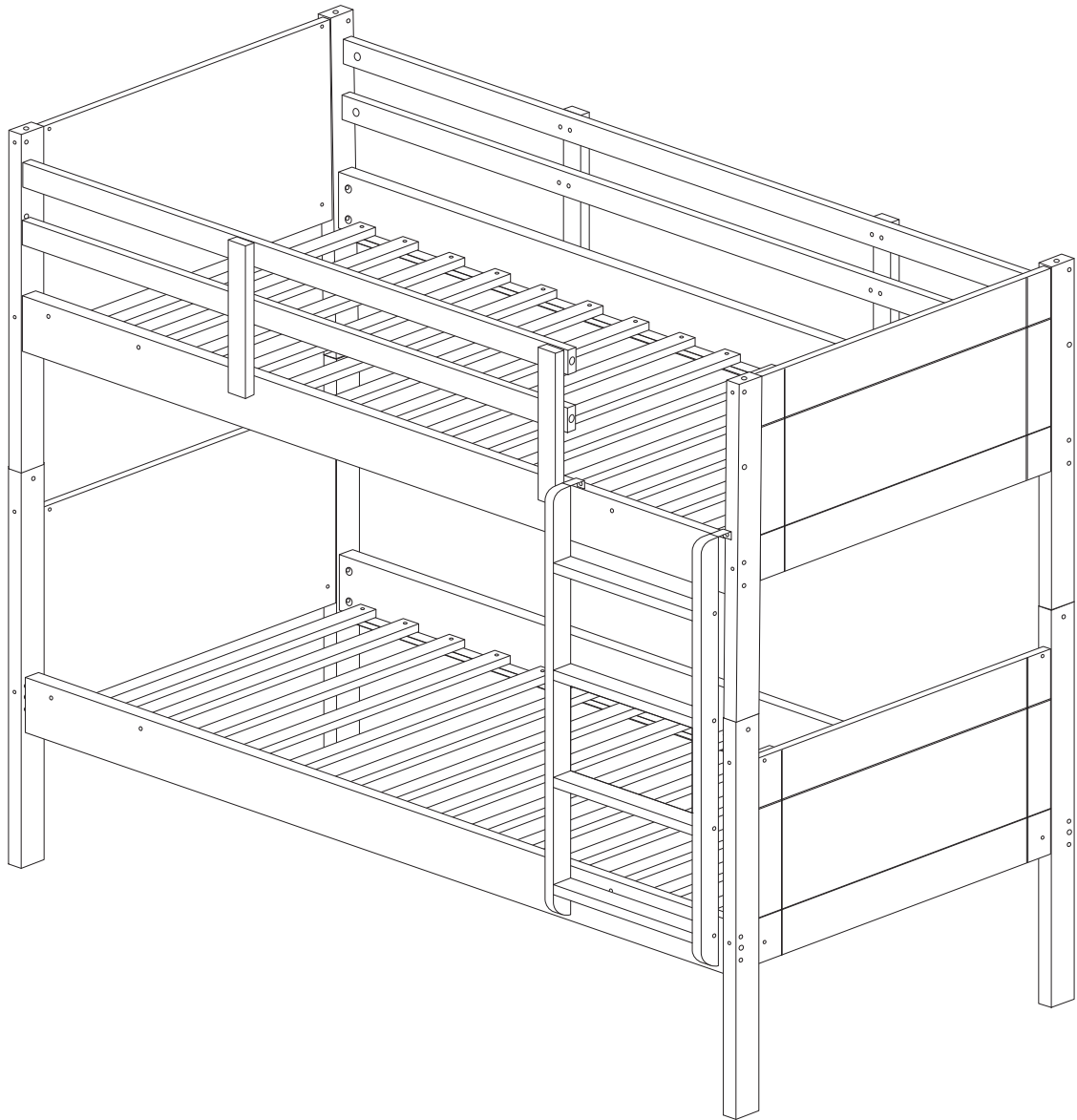
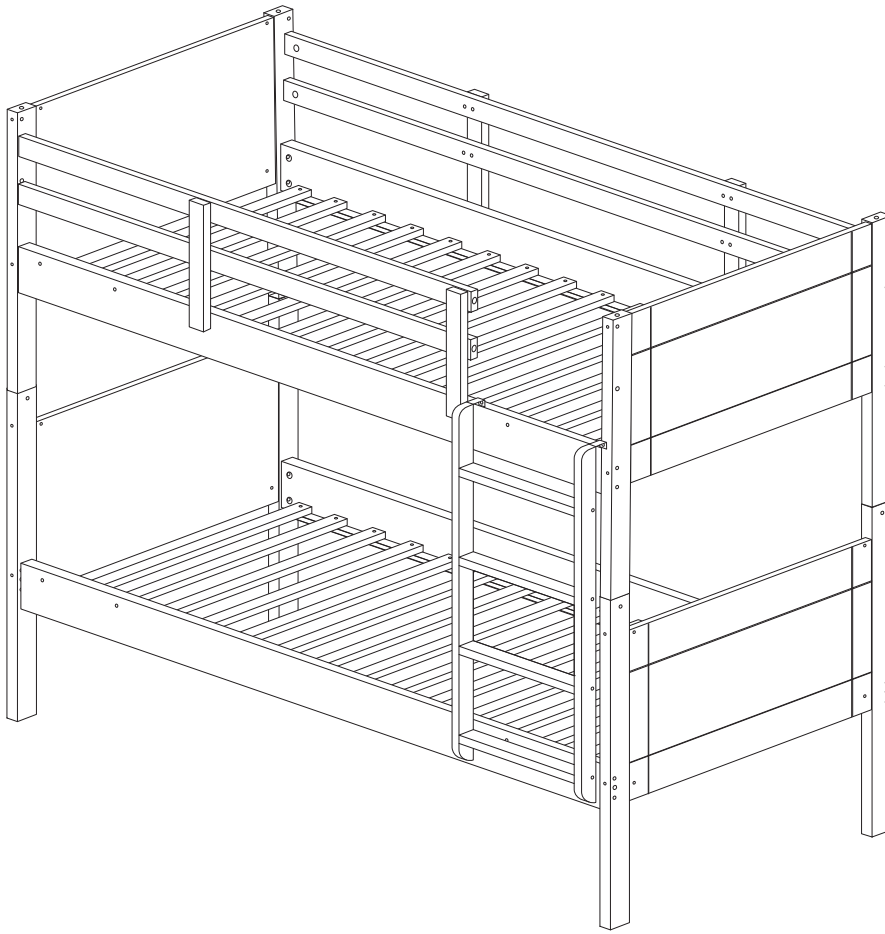
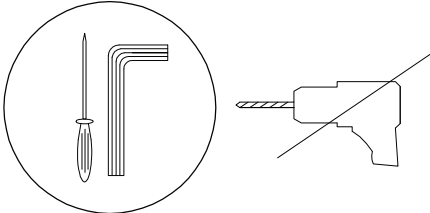

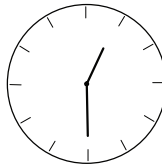
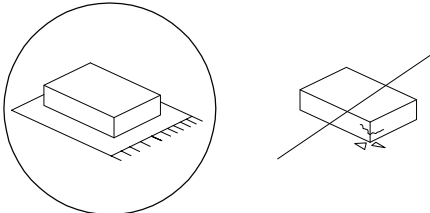


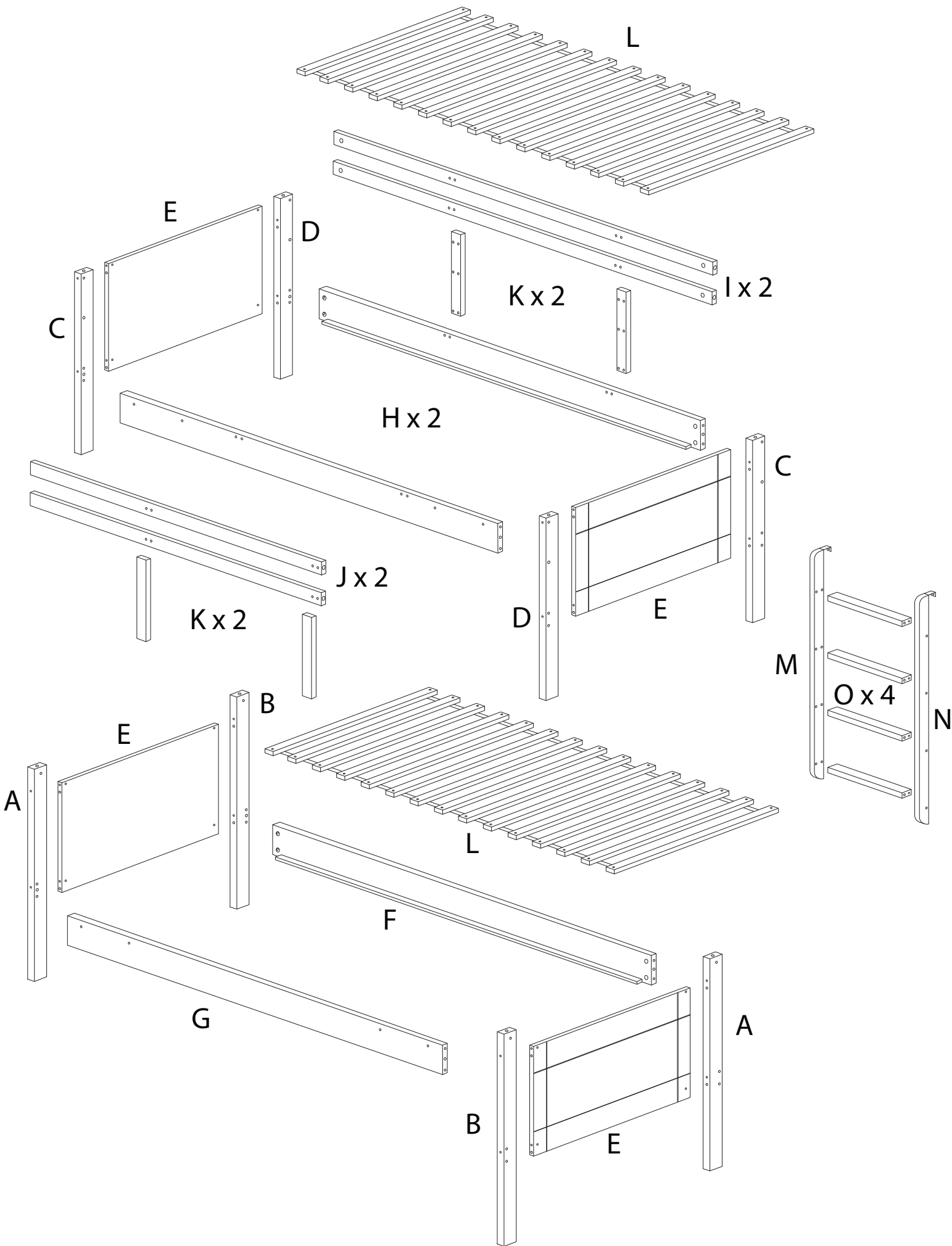


MAULDE





		
		
		2



A



x 2

B



x 2

C



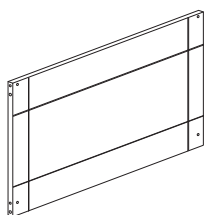
x 2

D



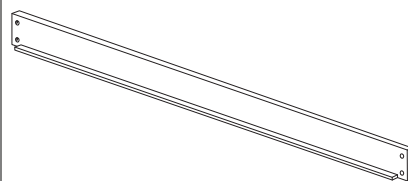
x 2

E



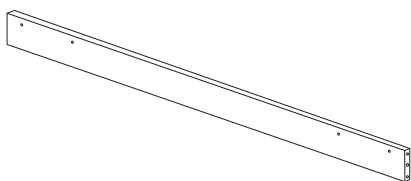
x 4

F



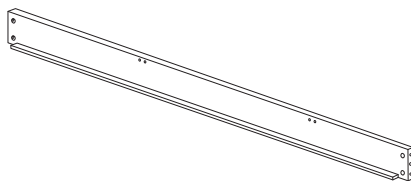
x 1

G



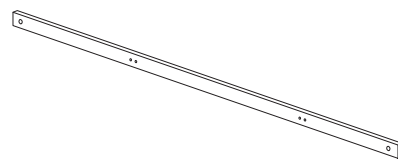
x 1

H



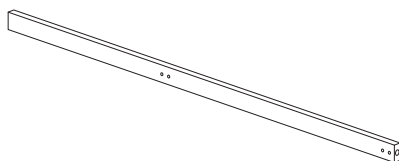
x 2

I



x 2

J



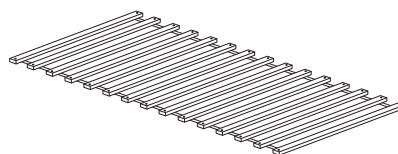
x 2

K



x 4

L



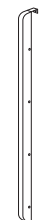
x 2

M



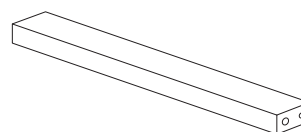
x 1

N

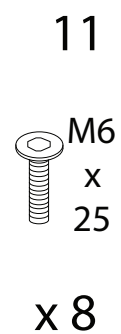
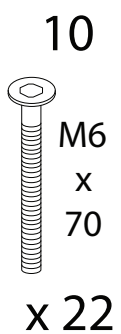
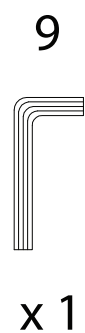
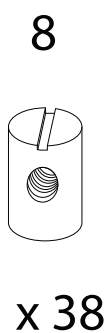
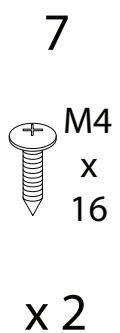
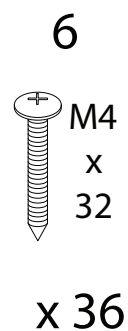
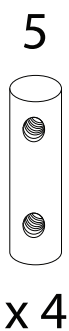
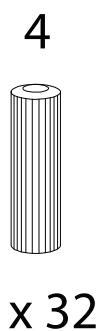
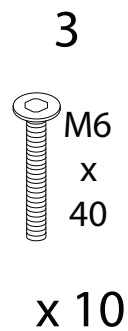
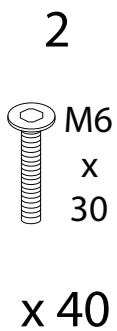
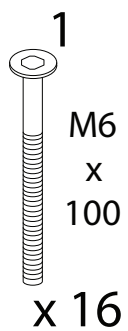


x 1

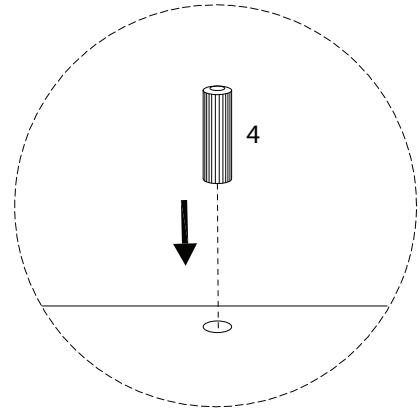
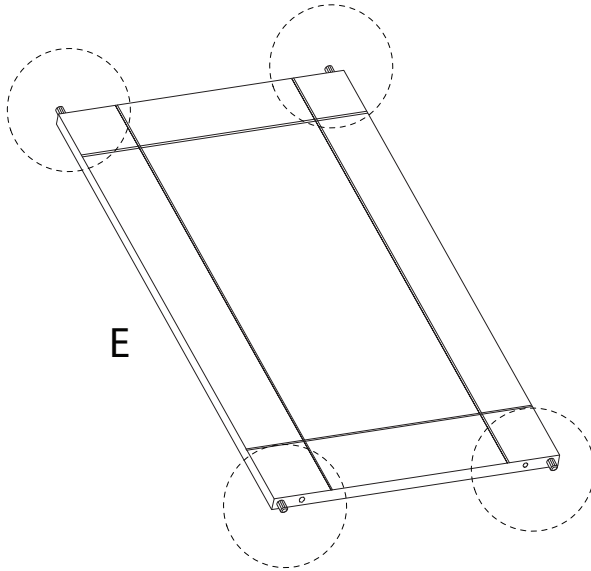
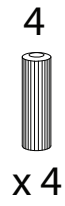
O



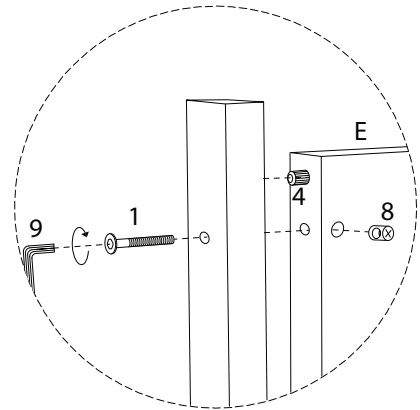
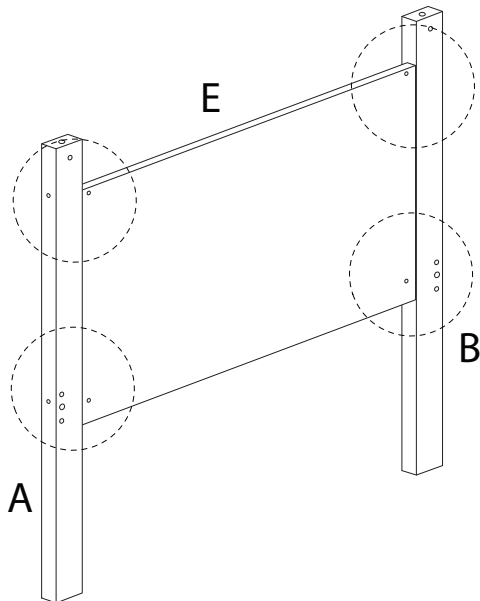
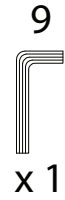
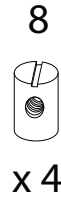
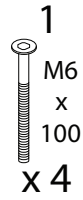
x 4



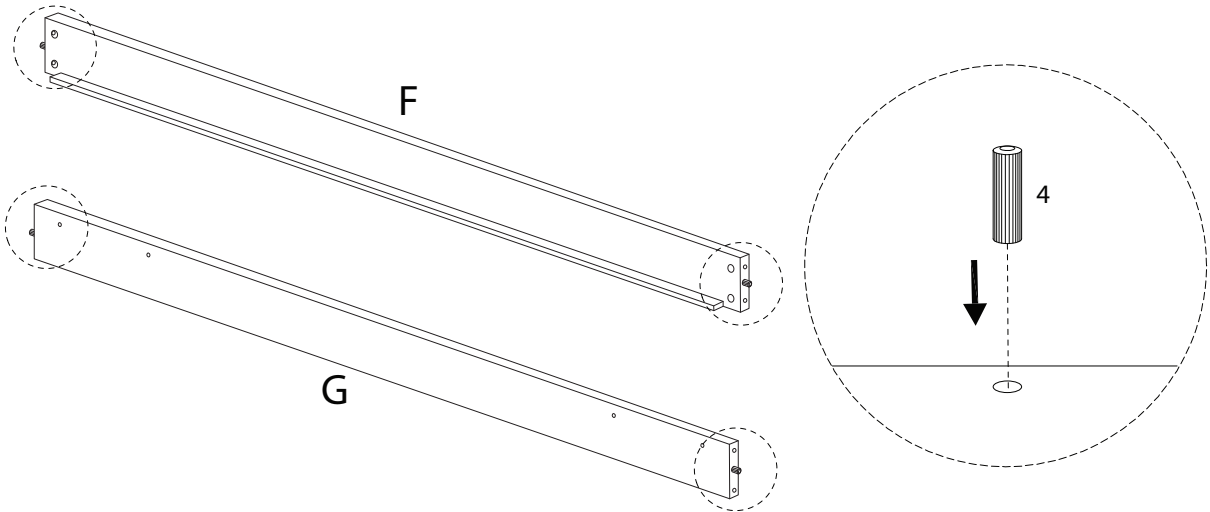
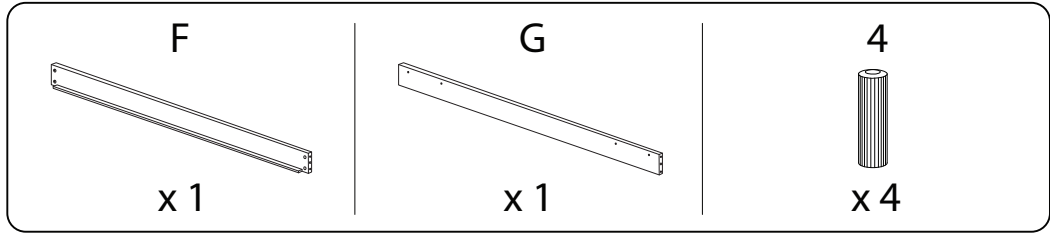
1 x 4



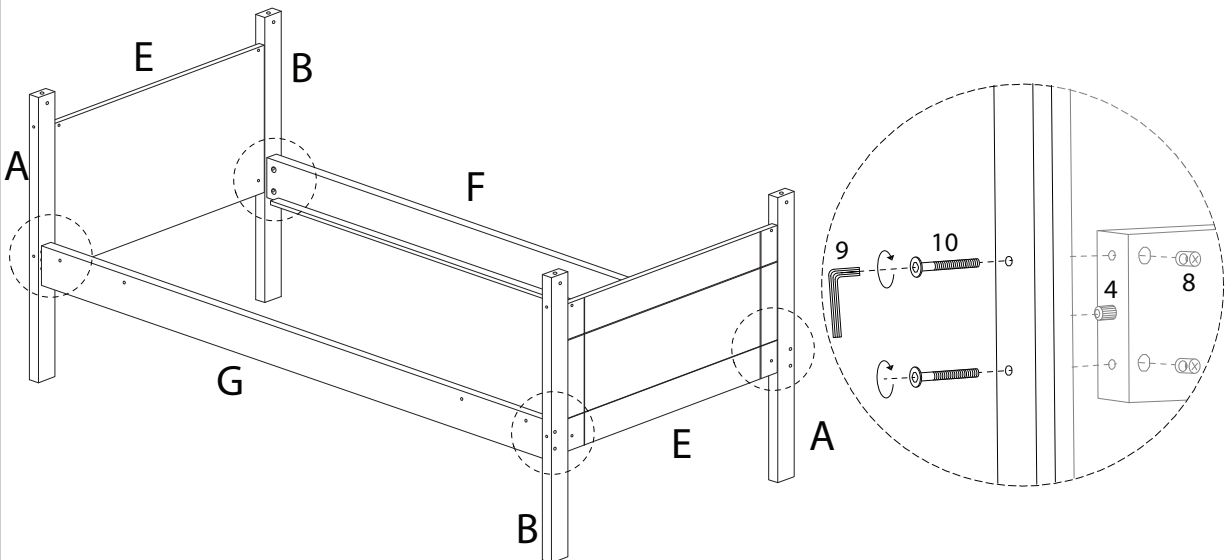
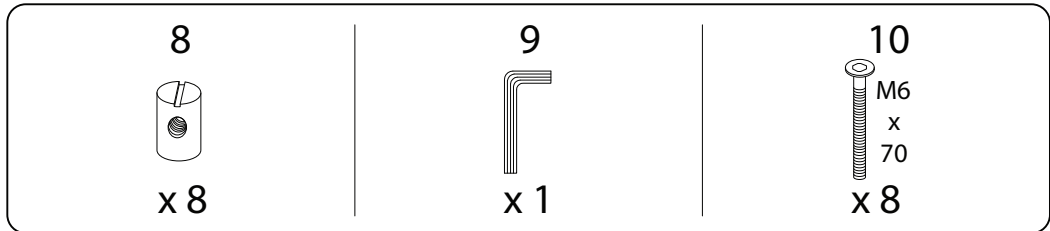
2 x 2



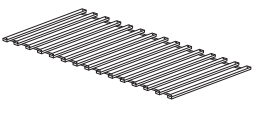
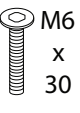
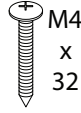

3

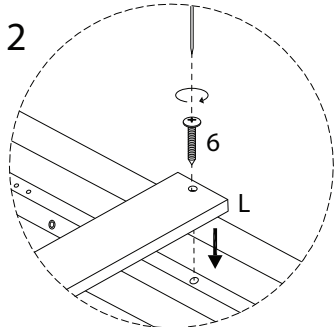
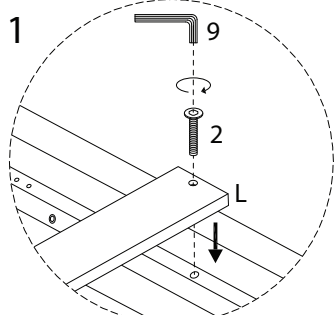
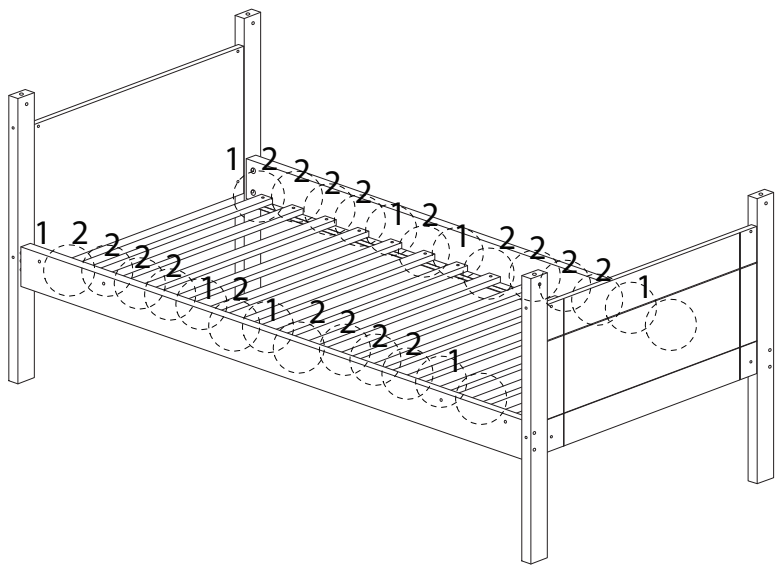


4



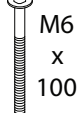

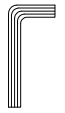


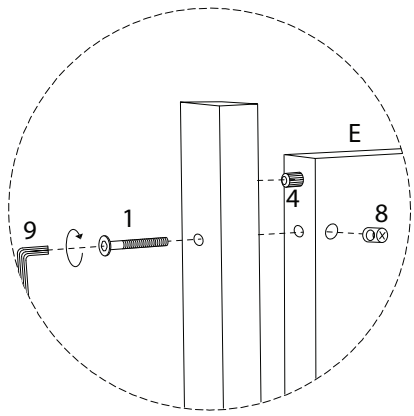
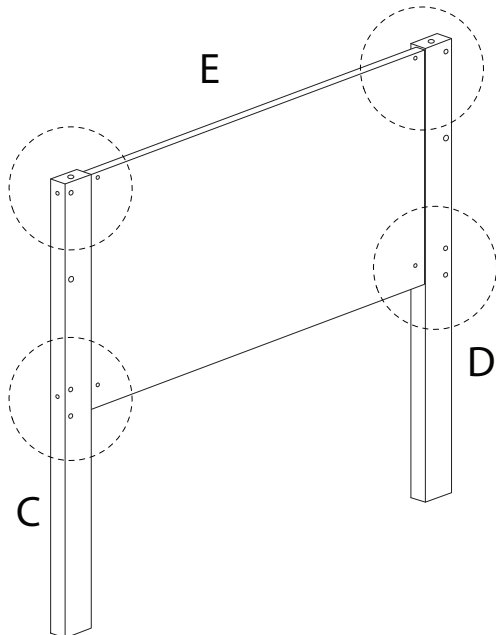
5

<p>L</p>  <p>x 1</p>	<p>2</p>  <p>M6 x 30</p> <p>x 8</p>	<p>6</p>  <p>M4 x 32</p> <p>x 18</p>	<p>9</p>  <p>x 1</p>
---	--	--	---

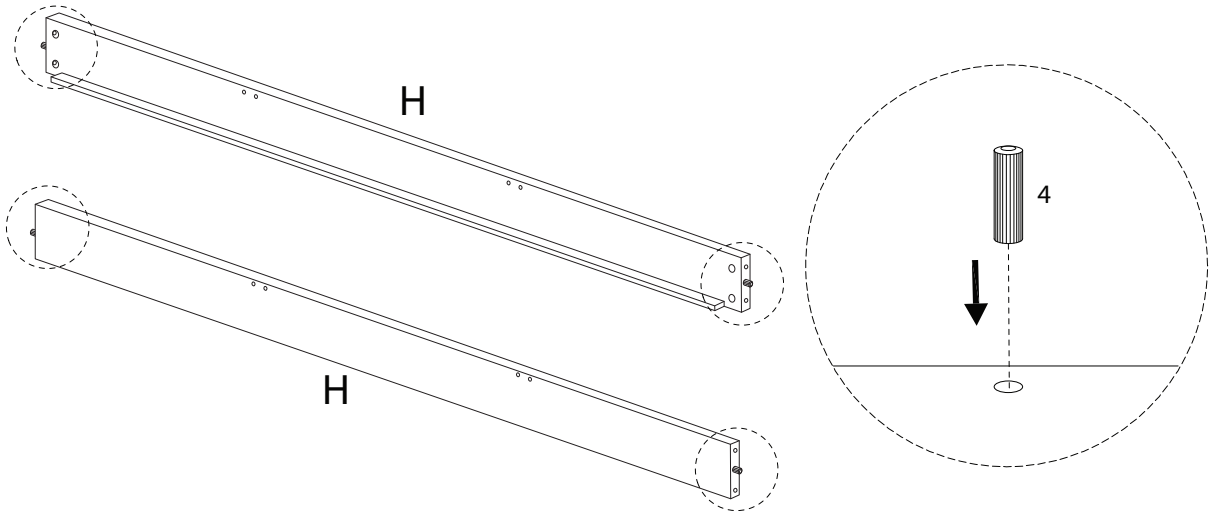
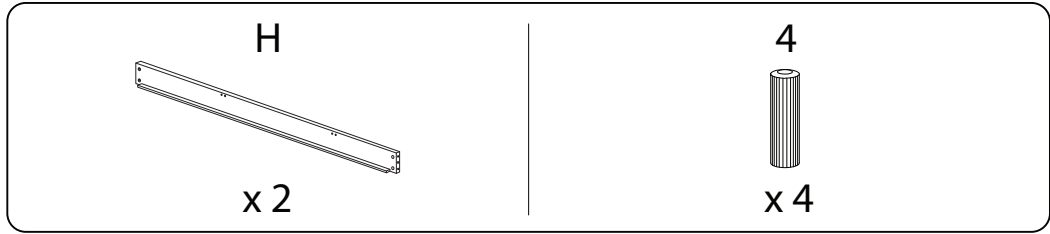


6 x 2

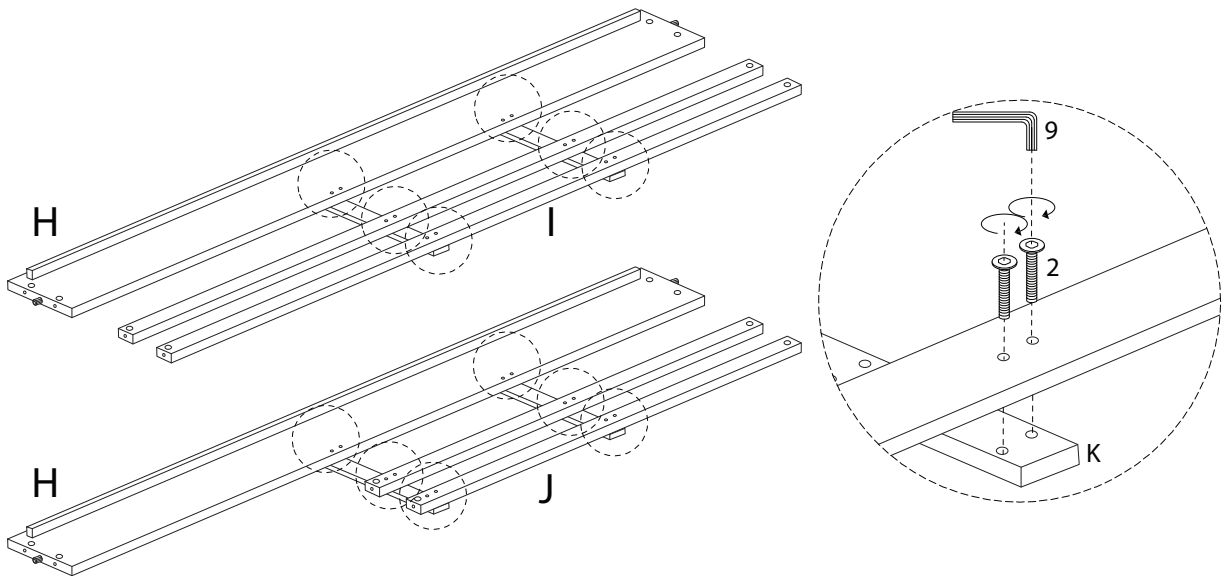
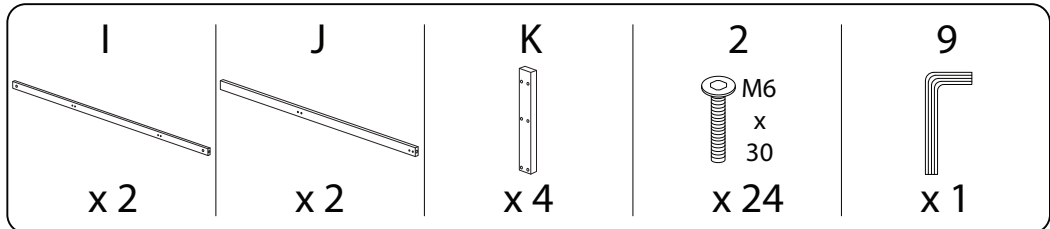
<p>C</p>  <p>x 1</p>	<p>D</p>  <p>x 1</p>	<p>1</p>  <p>M6 x 100</p> <p>x 4</p>	<p>8</p>  <p>x 4</p>	<p>9</p>  <p>x 1</p>
---	---	---	---	---



7



8



9

8



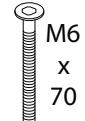
x 14

9

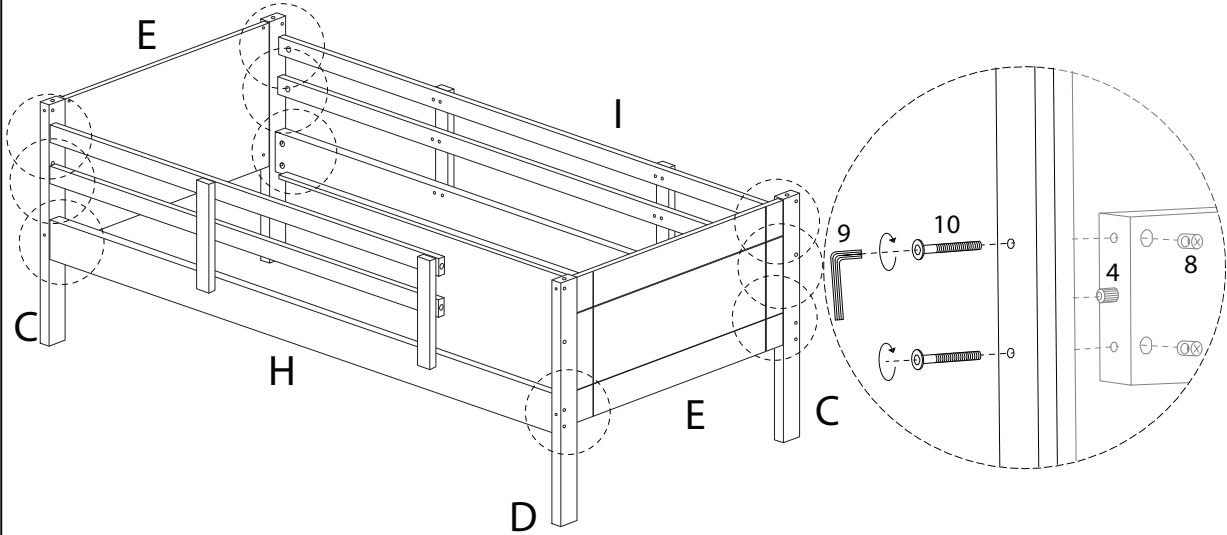


x 1

10

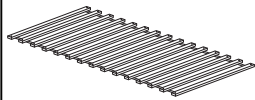


x 14



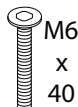
10

L



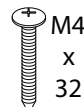
x 1

2



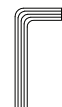
x 8

6

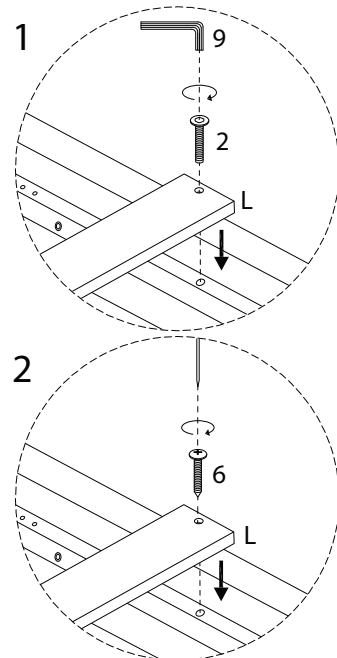
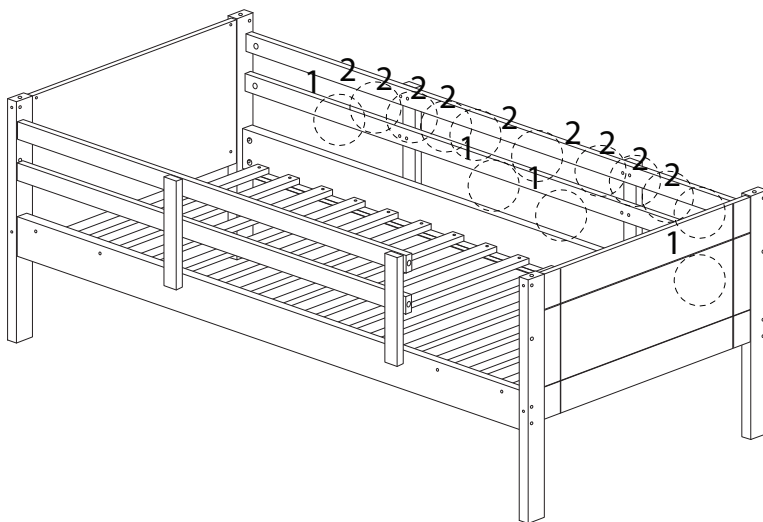


x 18

9



x 1



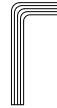
11

5



x 4

9

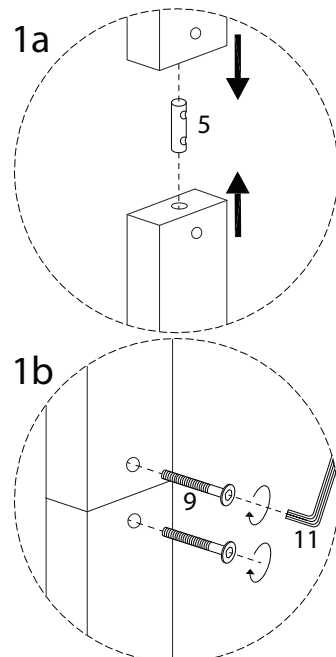
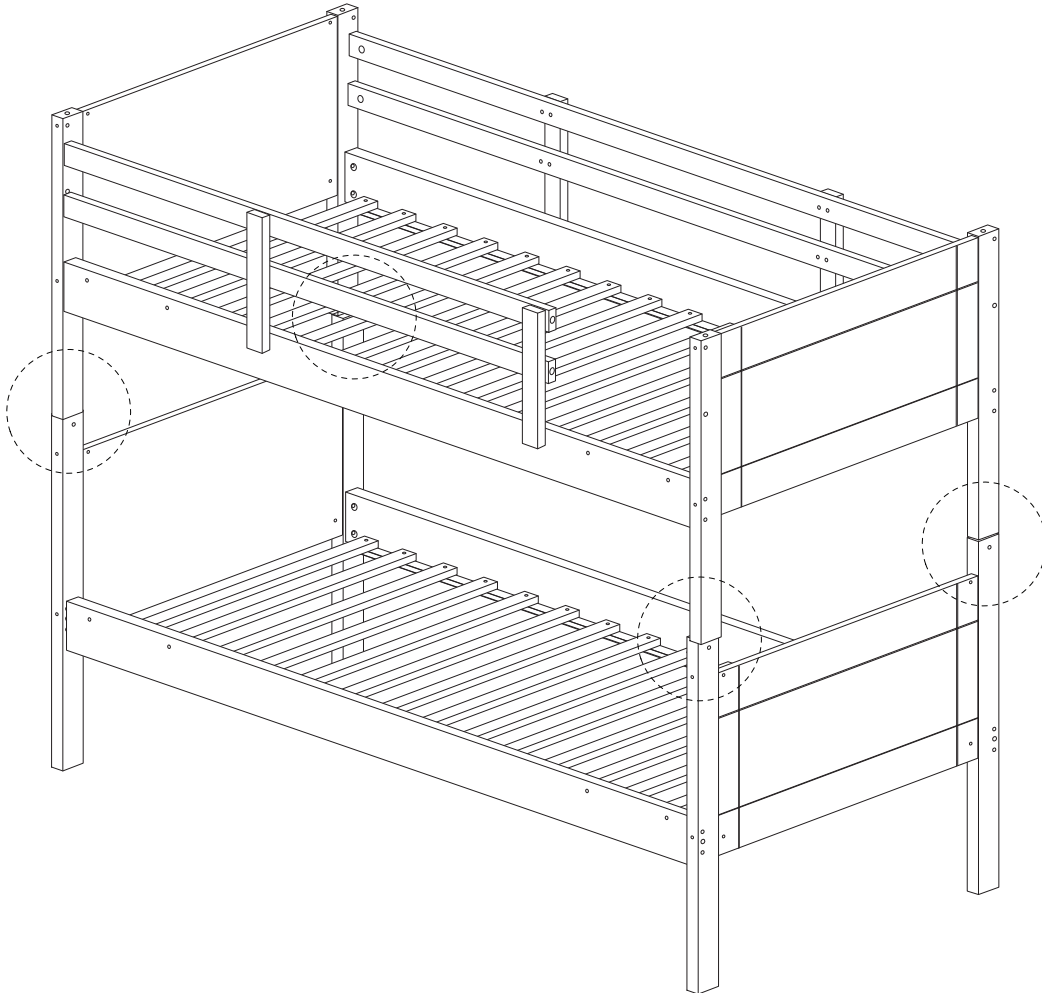


x 1

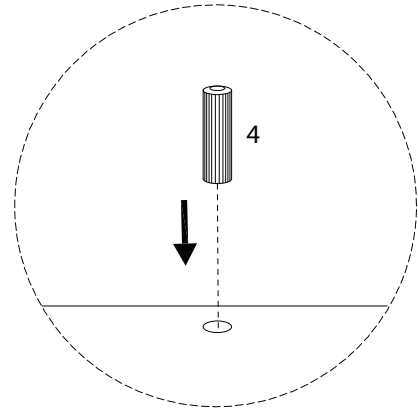
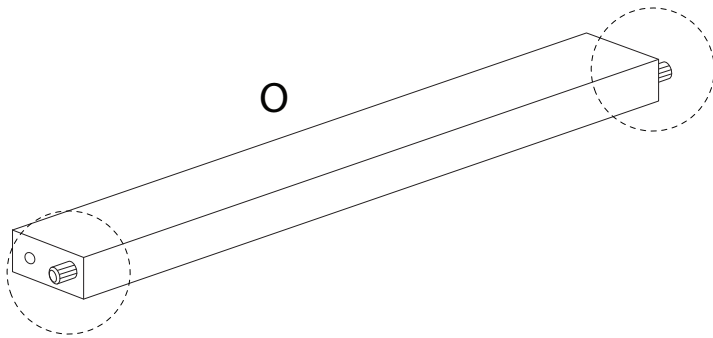
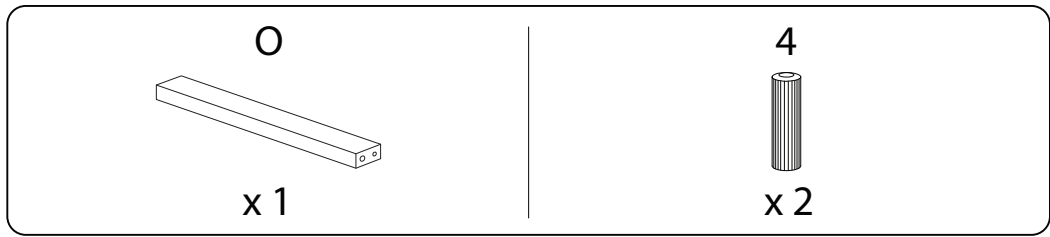
11



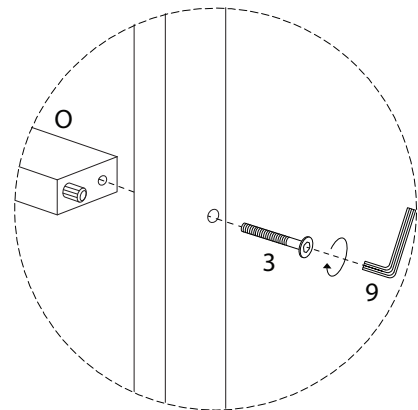
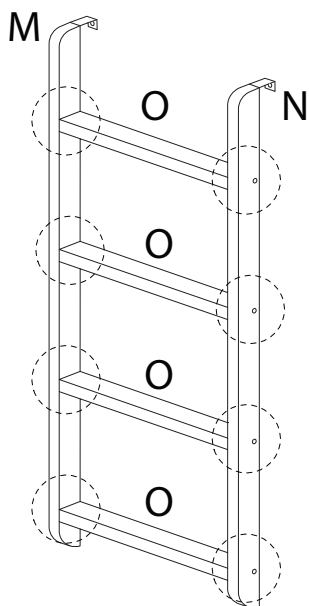
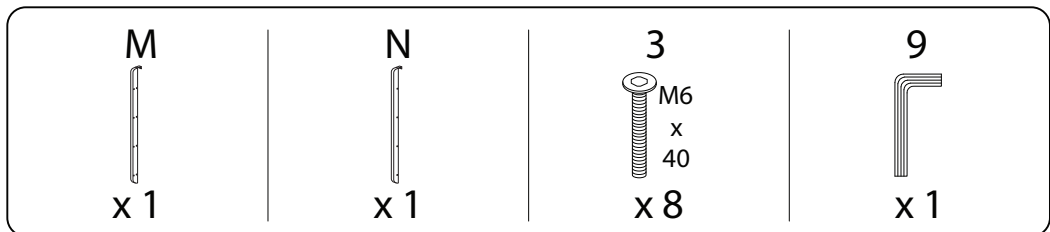
x 8



12 x 4



13



14

3
M6
x
40
x 2

7
M4
x
16
x 2

9
x 1

