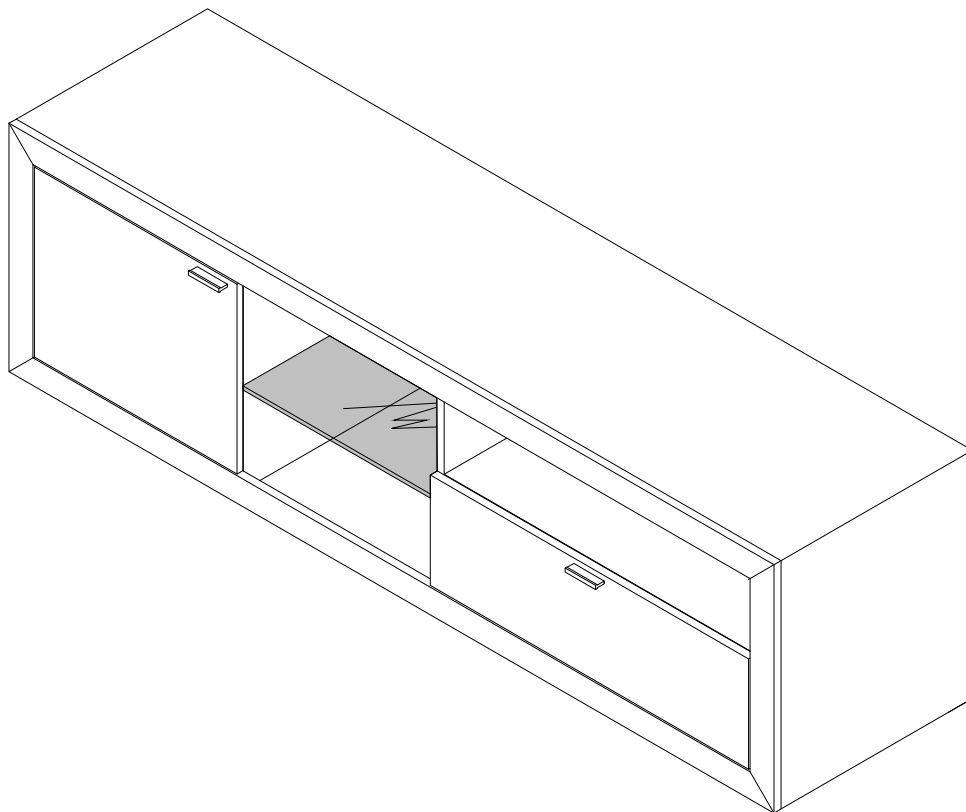
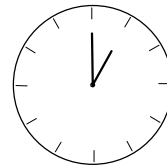
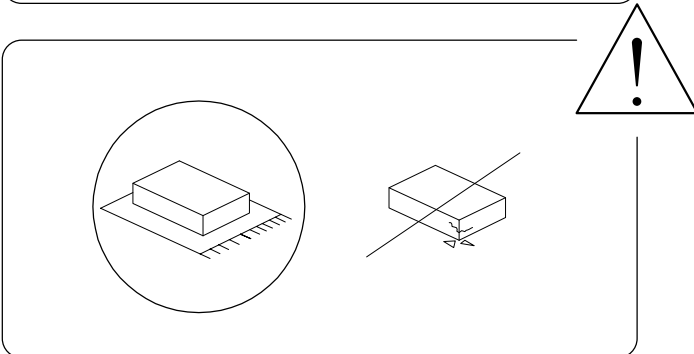
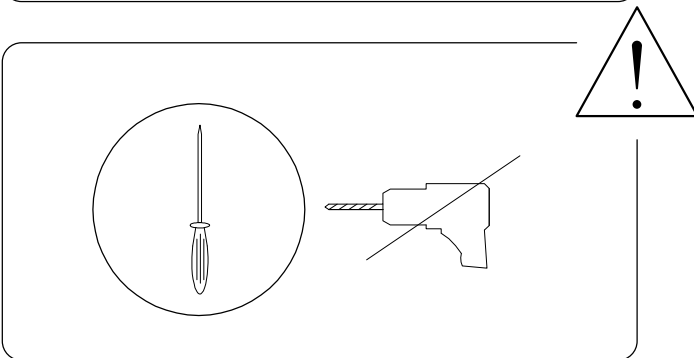
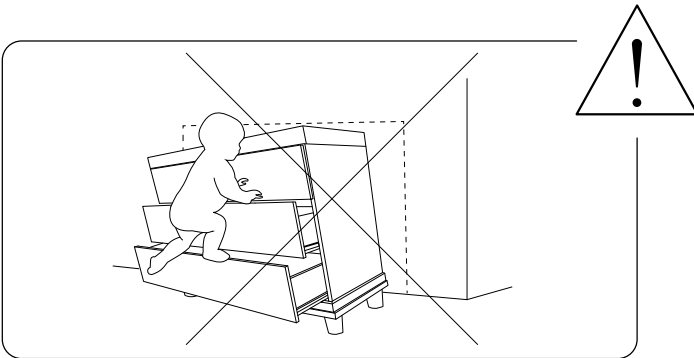
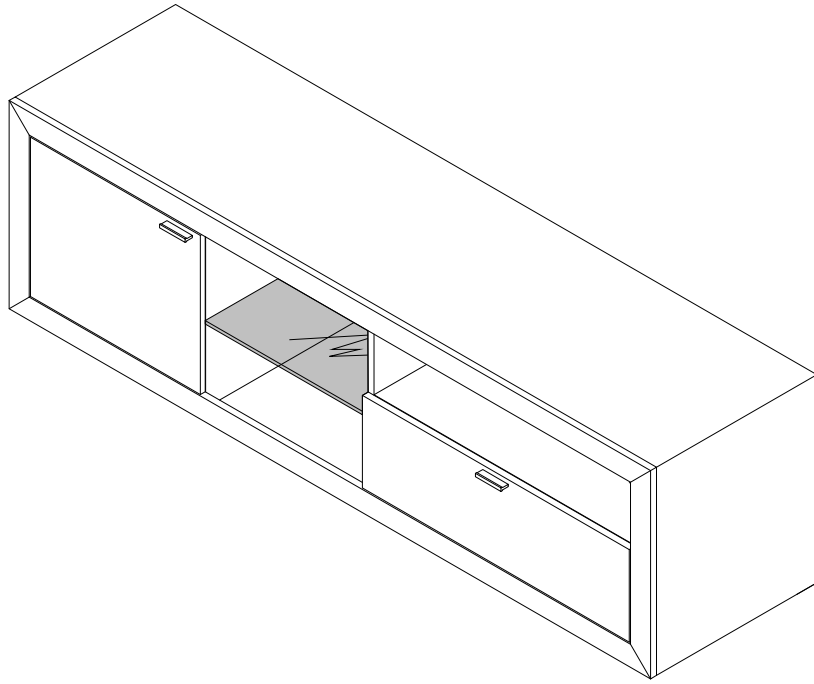


# MARANA

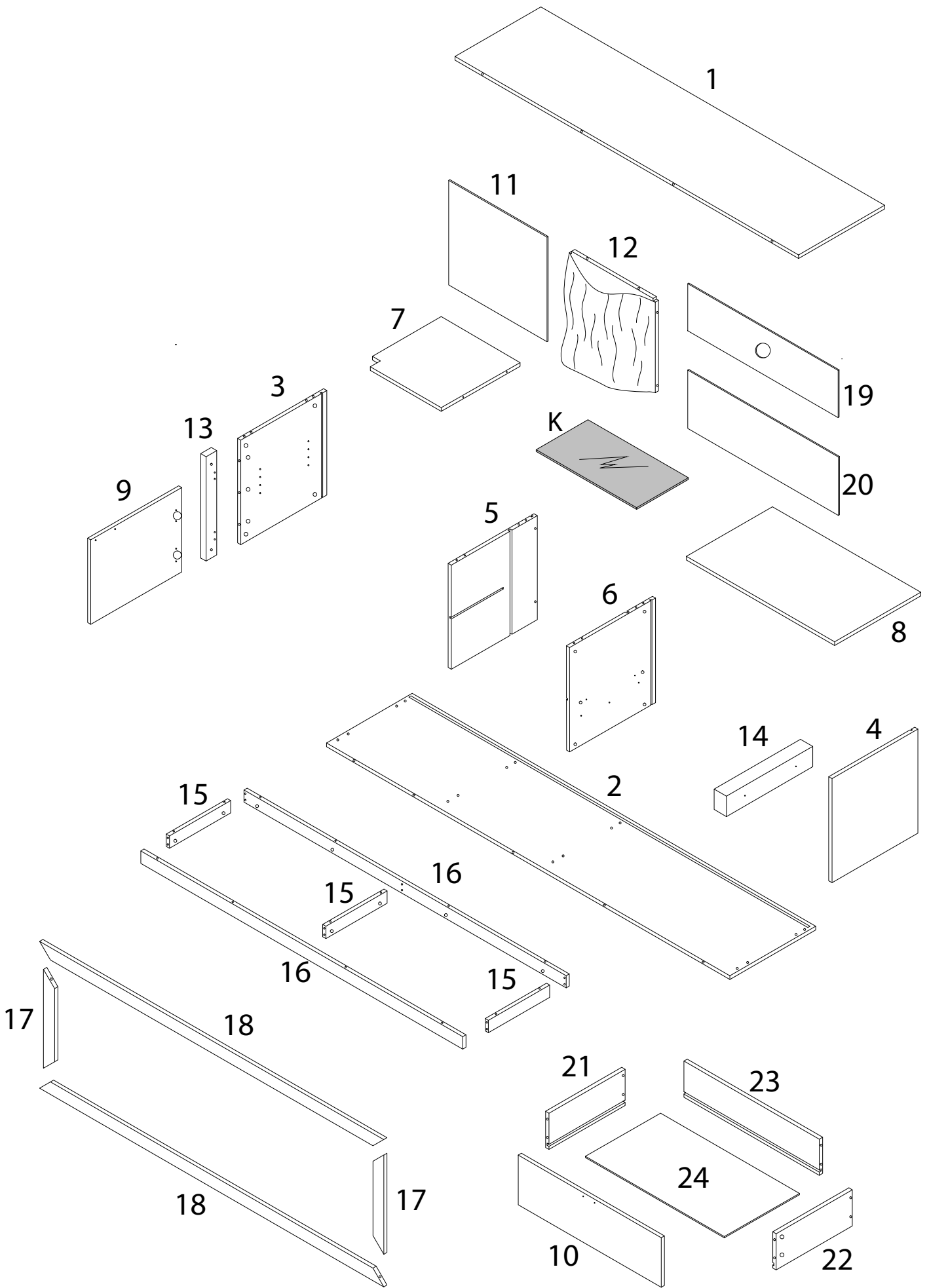


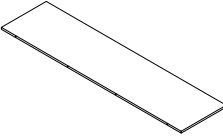
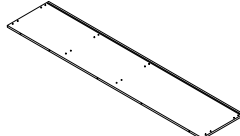
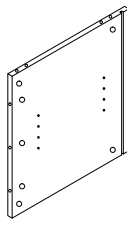
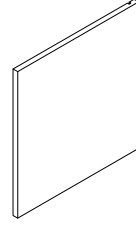
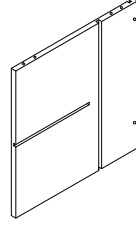
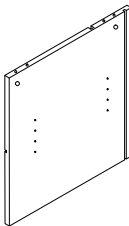
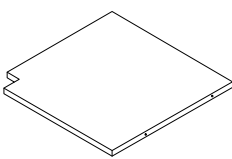
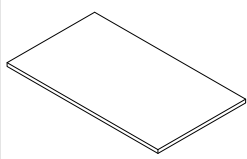
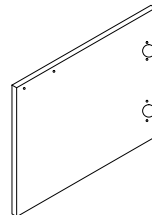
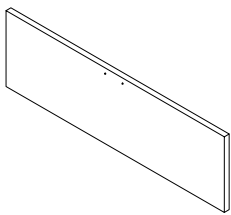
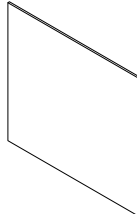
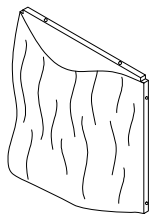

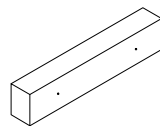
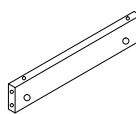
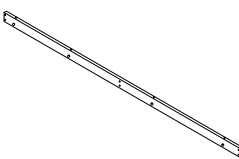

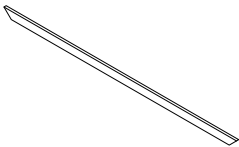
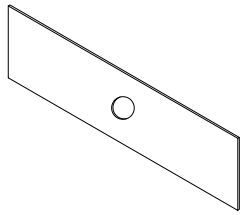
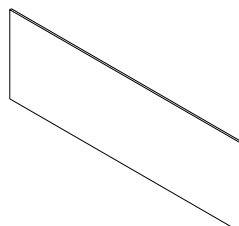
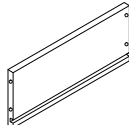
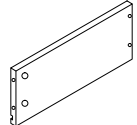
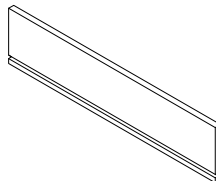
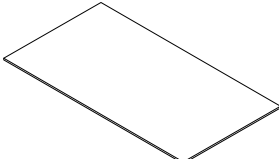


60'



2



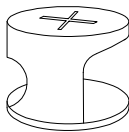
1  x 1	2  x 1	3  x 1	4  x 1	5  x 1
6  x 1	7  x 1	8  x 1	9  x 1	10  x 1
11  x 1	12  x 1	13  x 1	14  x 1	15  x 3
16  x 2	17  x 2	18  x 2	19  x 1	20  x 1
21  x 1	22  x 1	23  x 1	24  x 1	

A



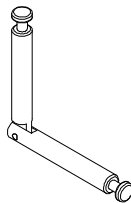
x 60

B



x 68

C



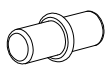
x 4

D



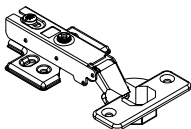
x 30

E



x 4

F



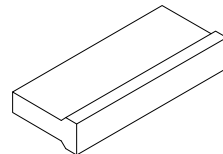
x 2

G



x 12

H



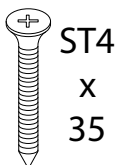
x 1

I



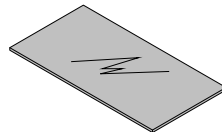
x 4

J



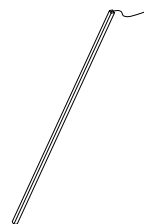
x 8

K



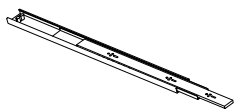
x 1

L



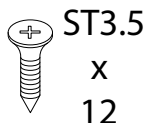
x 2

P



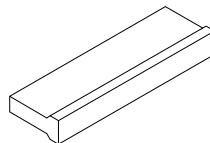
x 2

Q



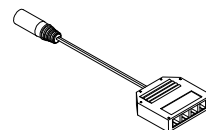
x 2

R



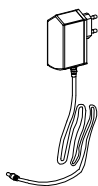
x 1

S



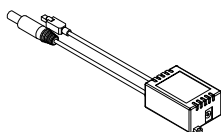
x 1

T



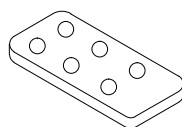
x 1

U1



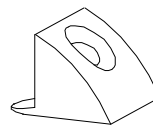
x 1

U2



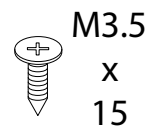
x 1

V1



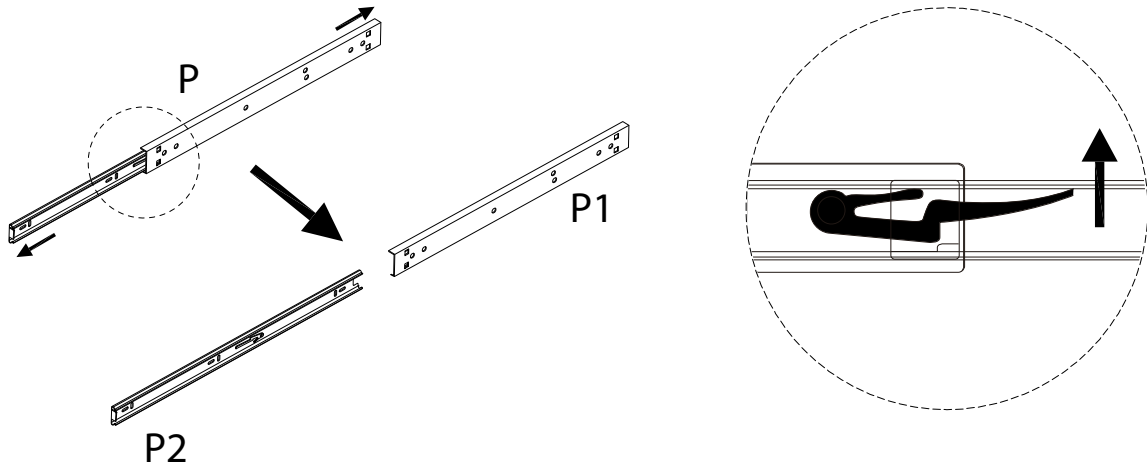
x 4

V2

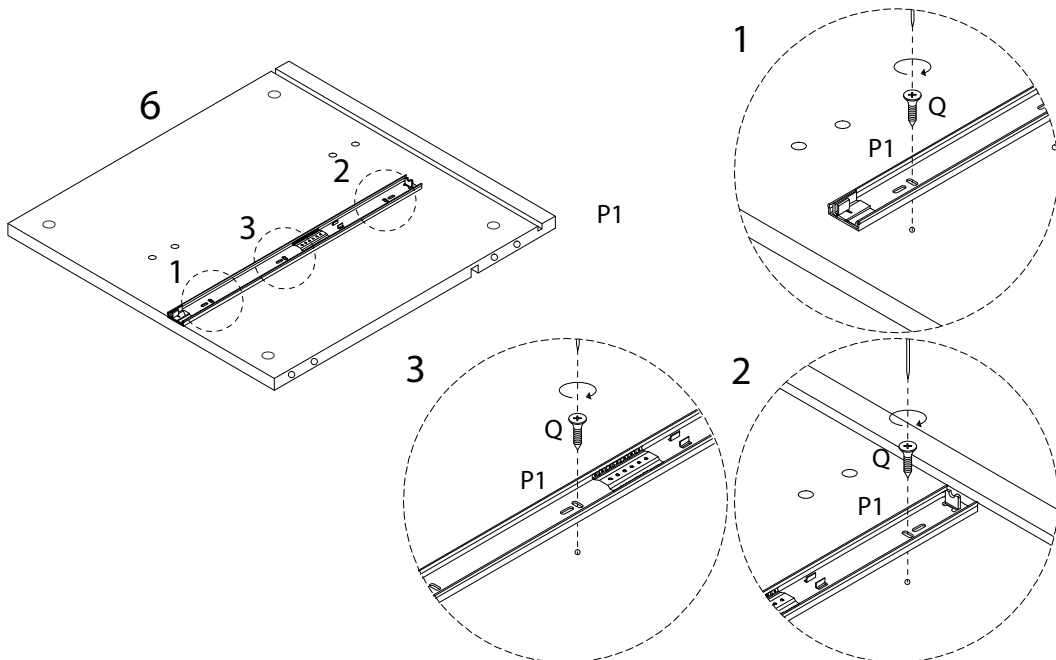
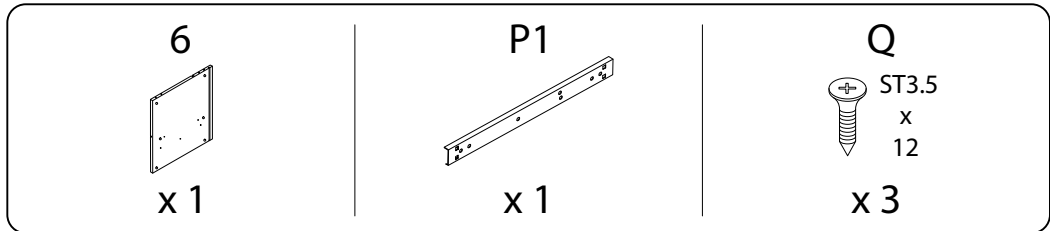


x 4

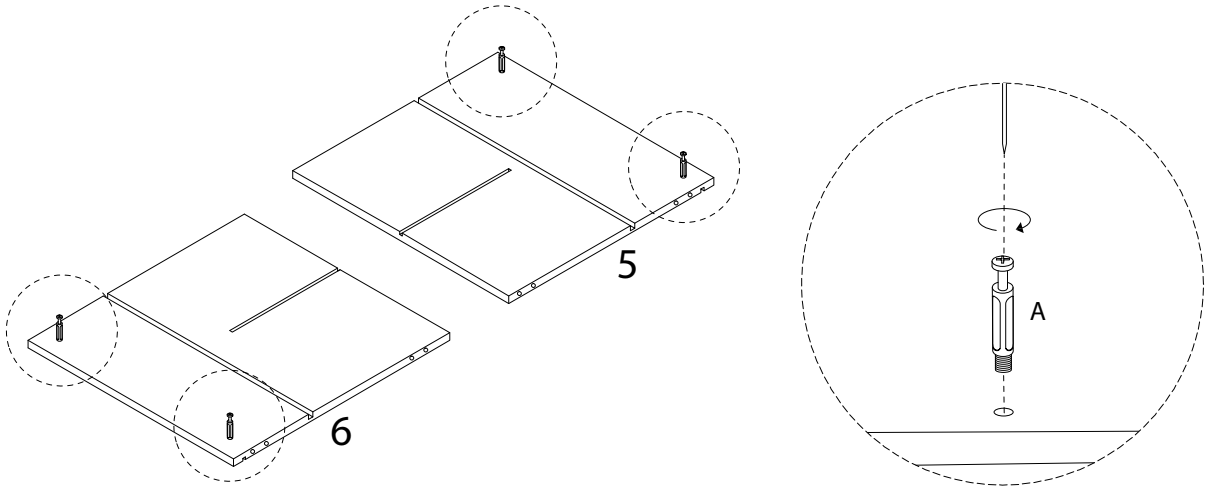
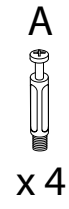
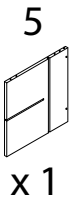
!



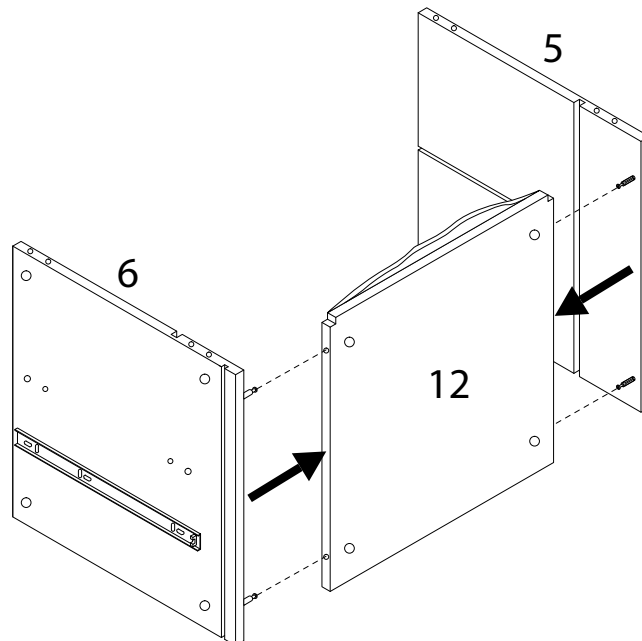
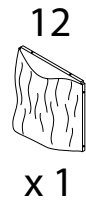
1



2



3

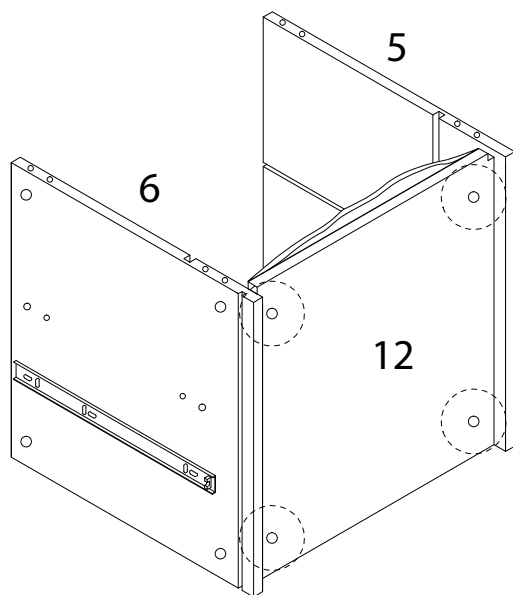


4

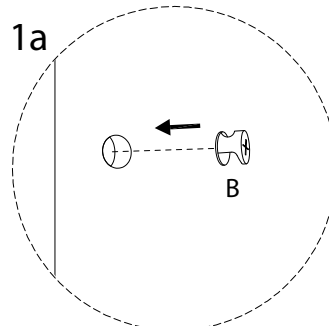
B



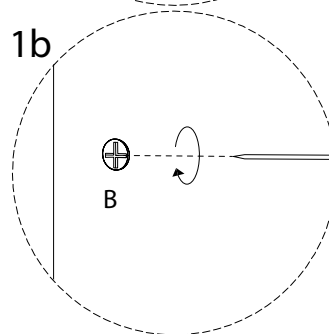
x 4



1a



1b

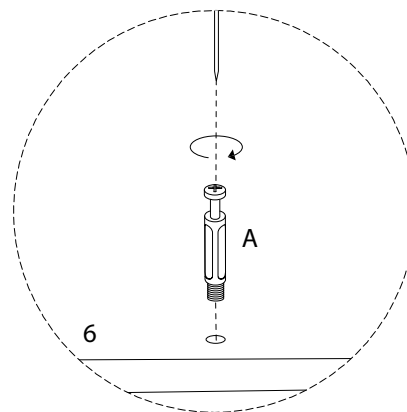
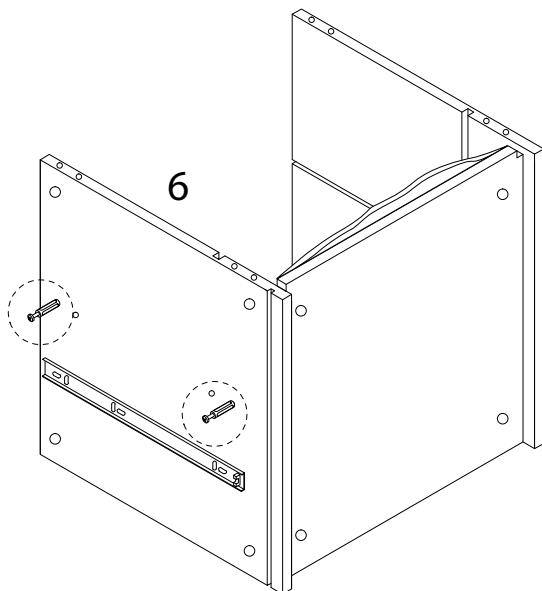


5

A



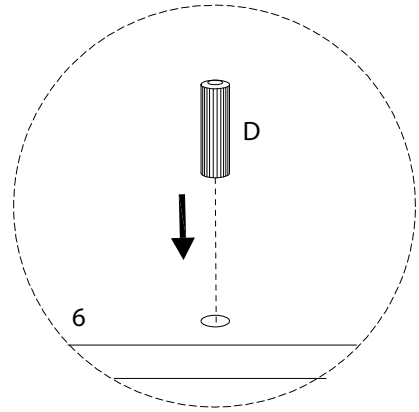
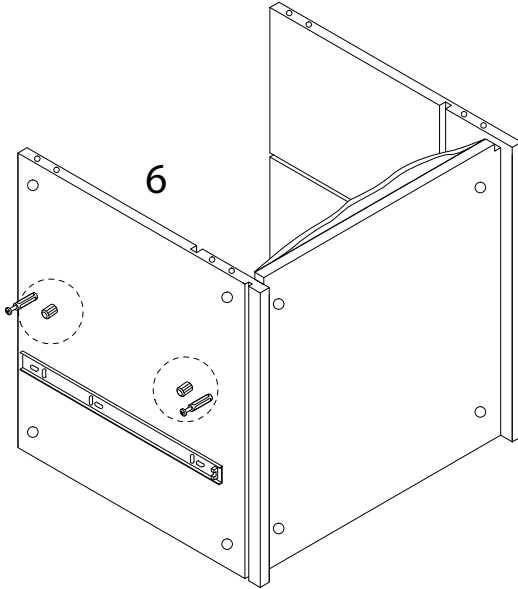
x 2





6

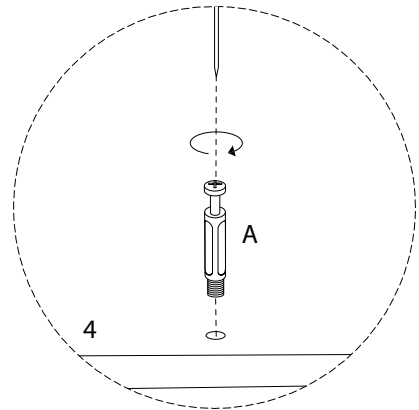
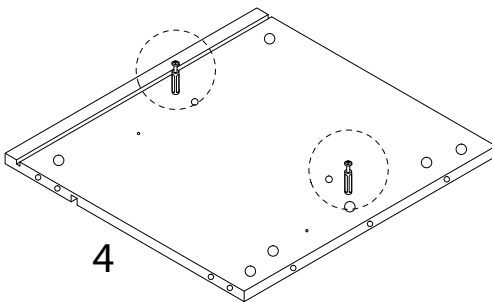
D  
x 2



7

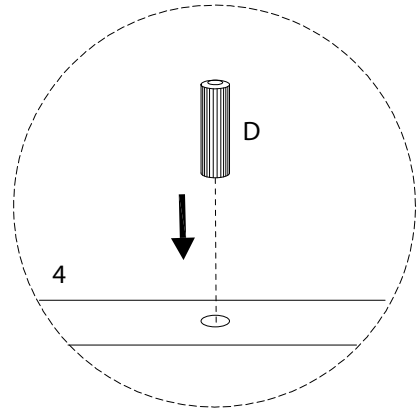
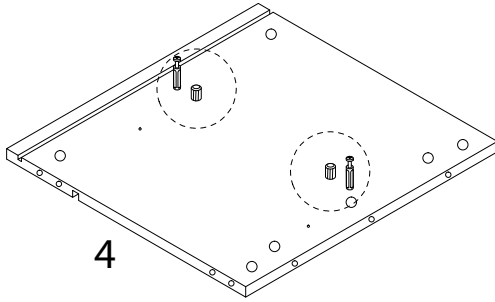
4  
x 1

A  
x 2



8

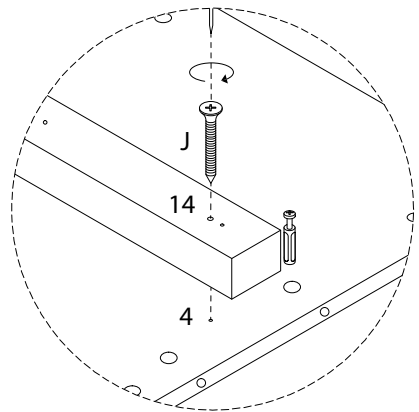
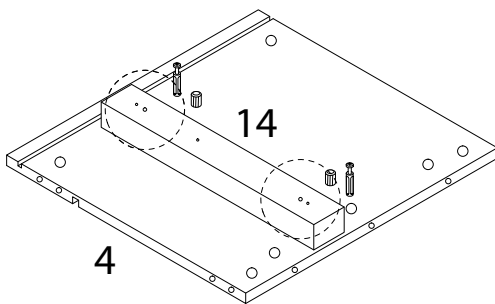
D  
x 2



9

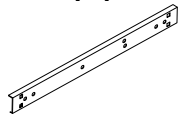
14  
x 1

J  
ST4  
x  
35  
x 2



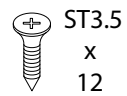
10

P1



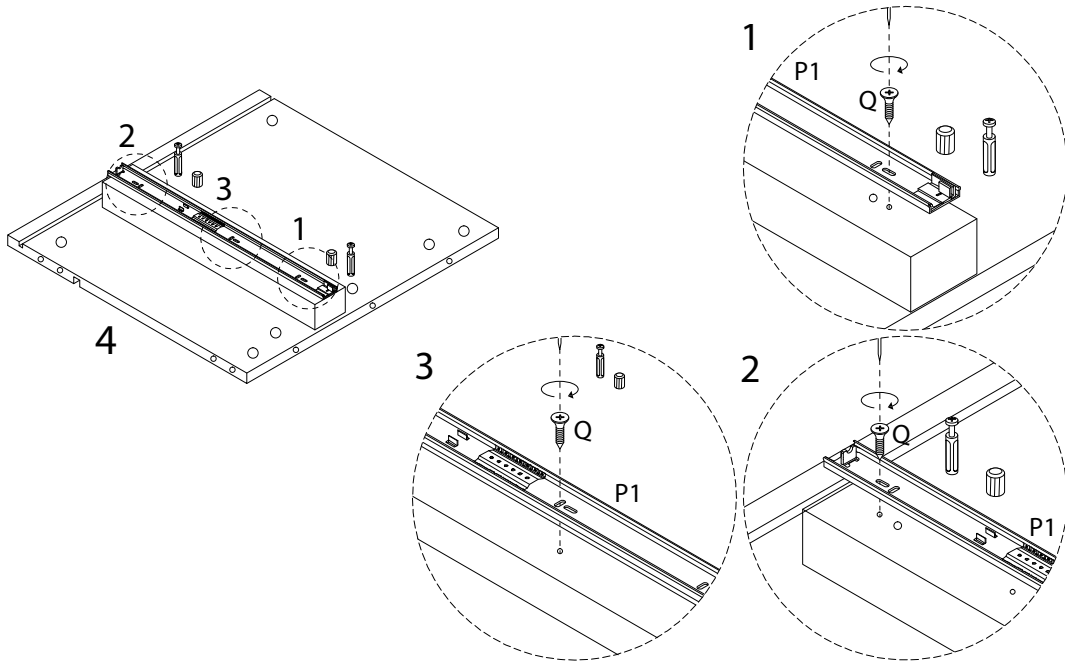
x 1

Q



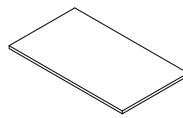
ST3.5  
x  
12

x 3

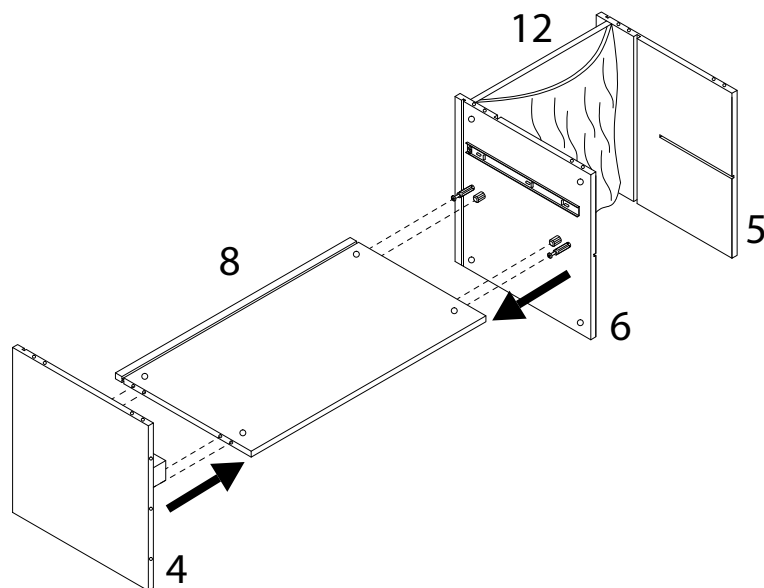


11

8



x 1

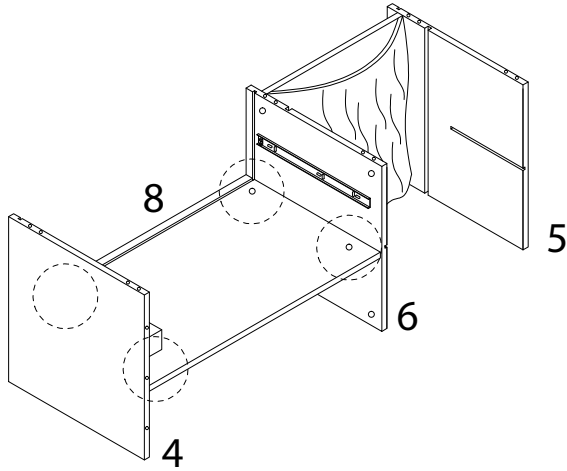


12

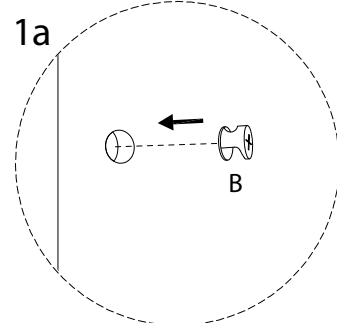
B



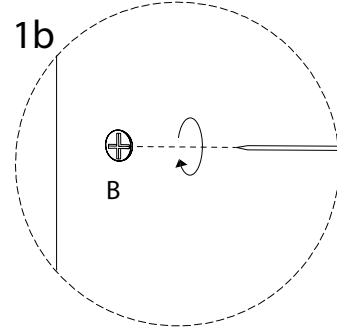
x 4



1a

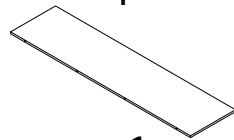


1b



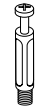
13

1

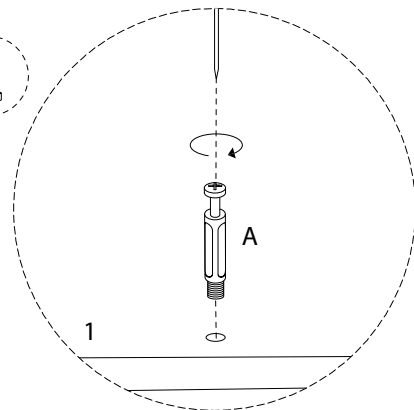
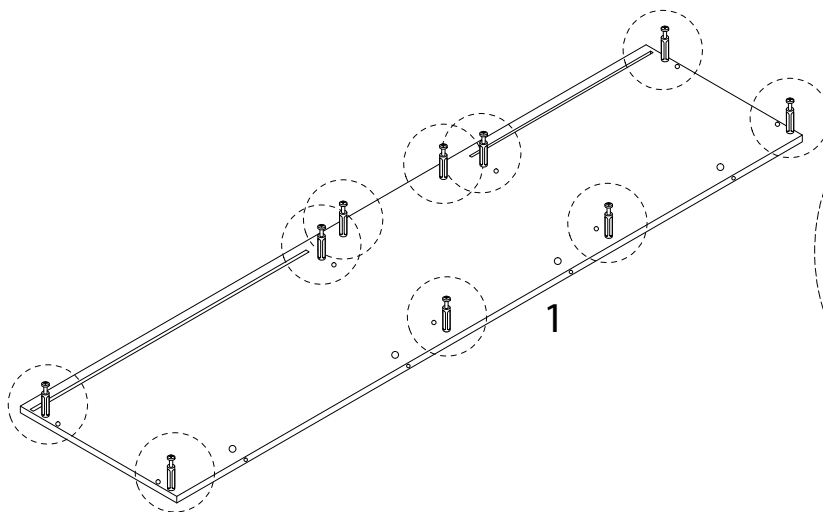


x 1

A



x 10

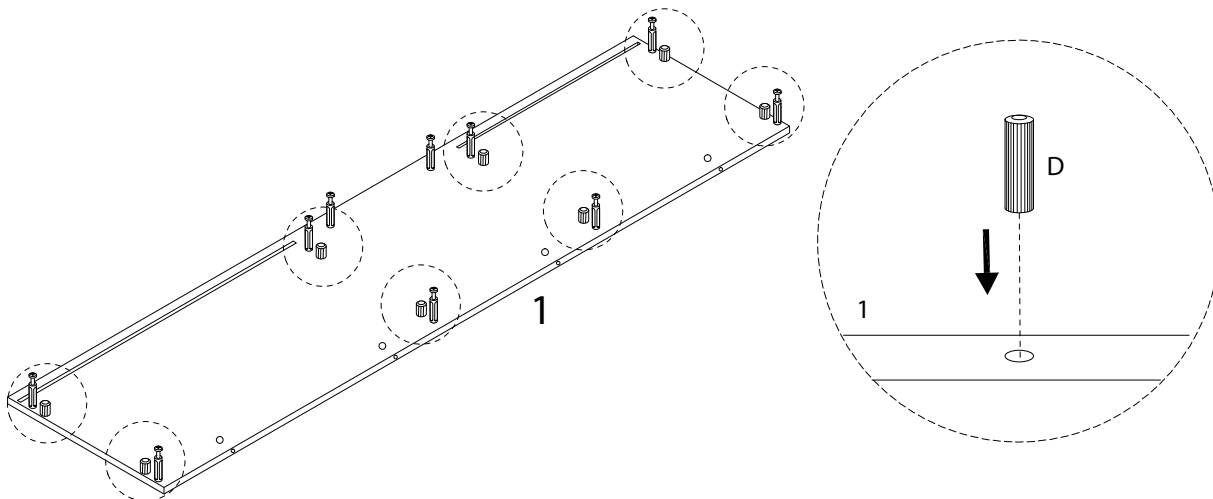


14

D

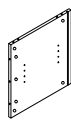


x8



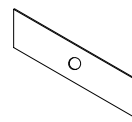
15

3

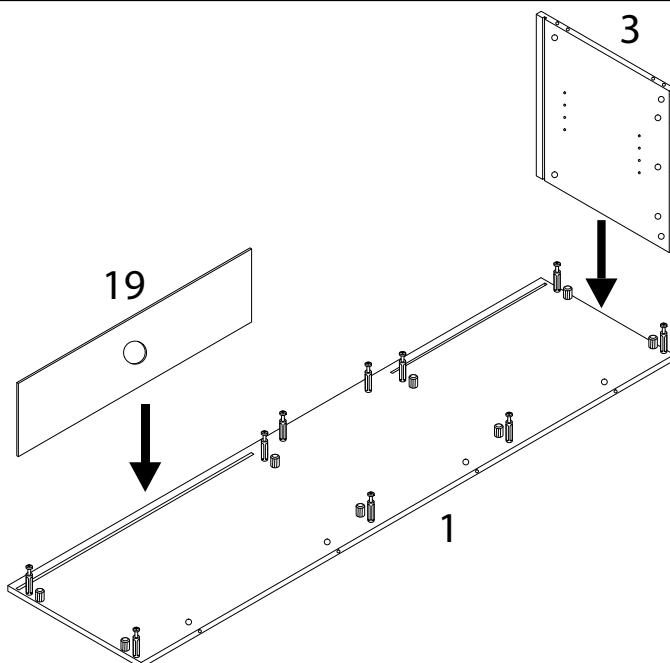


x 1

19



x 1

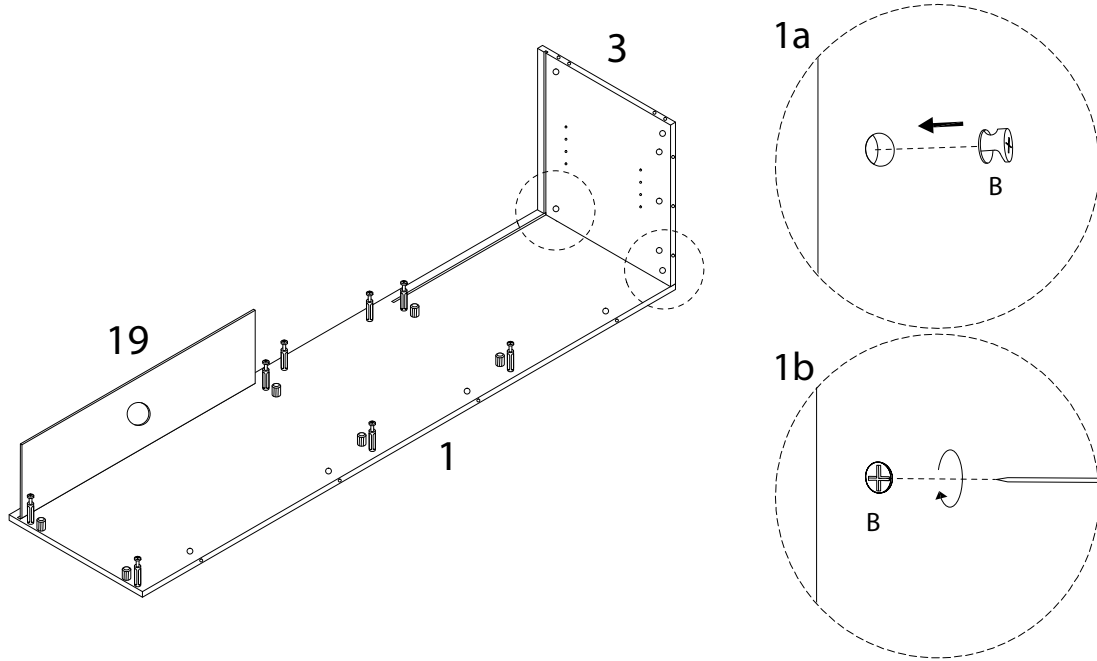


16

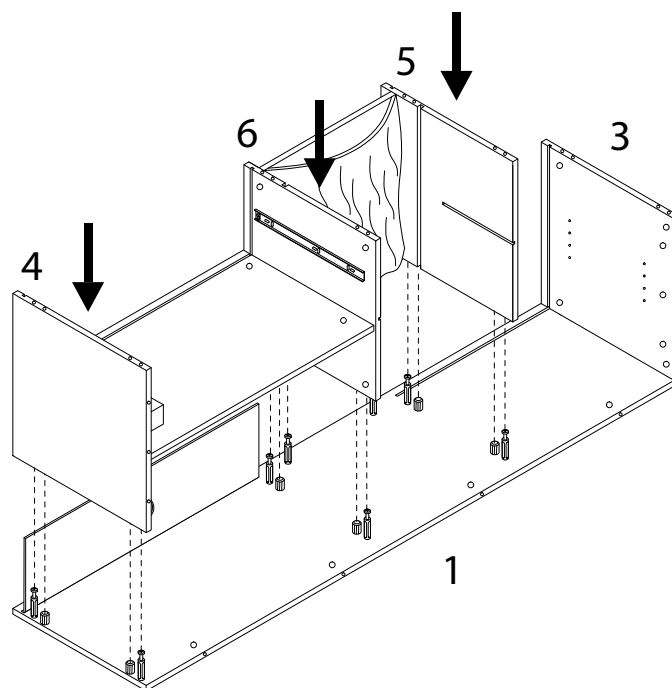
B



x 2



17

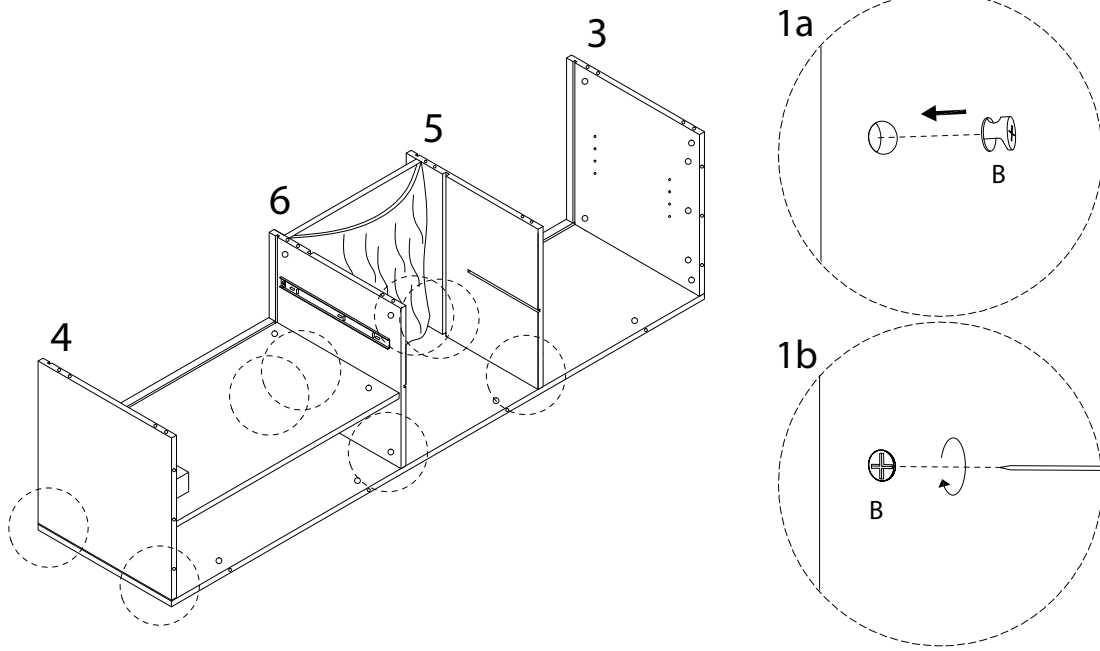


18

B



x 8



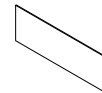
19

11

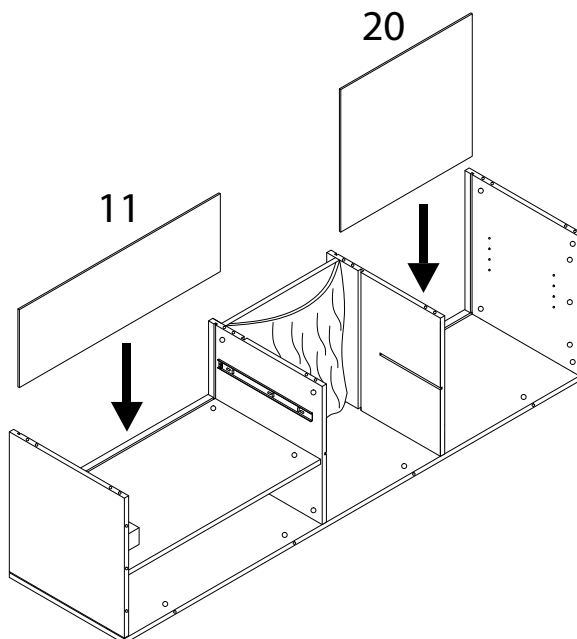


x 1

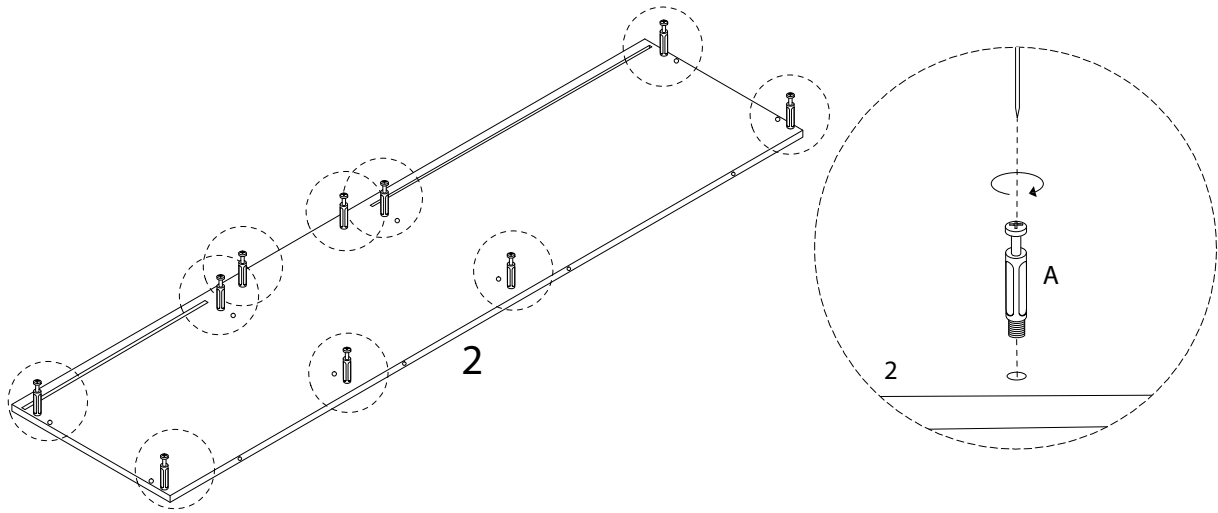
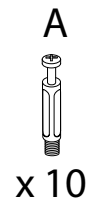
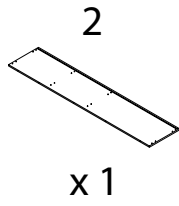
20



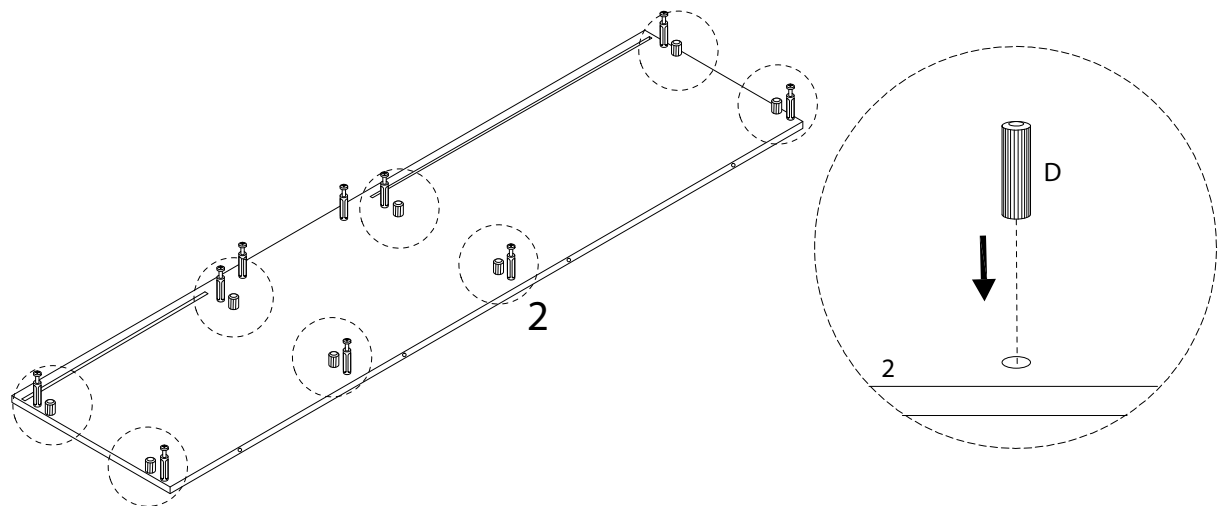
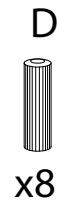
x 1



20

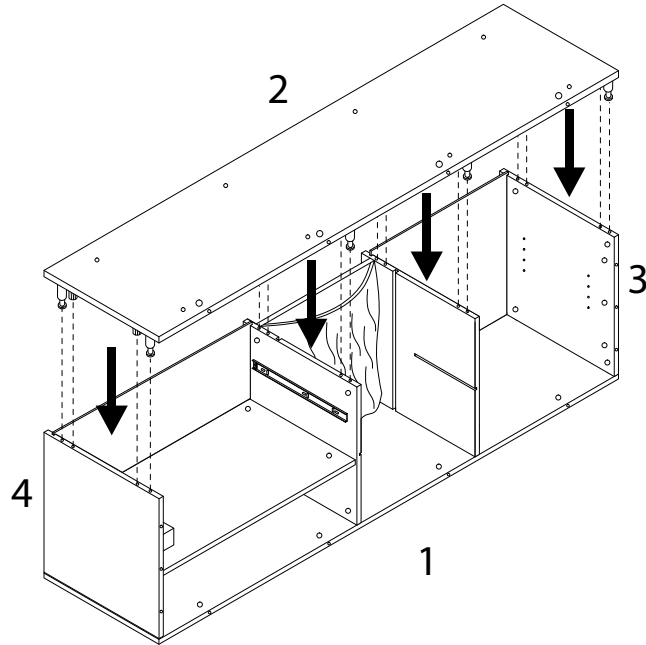


21

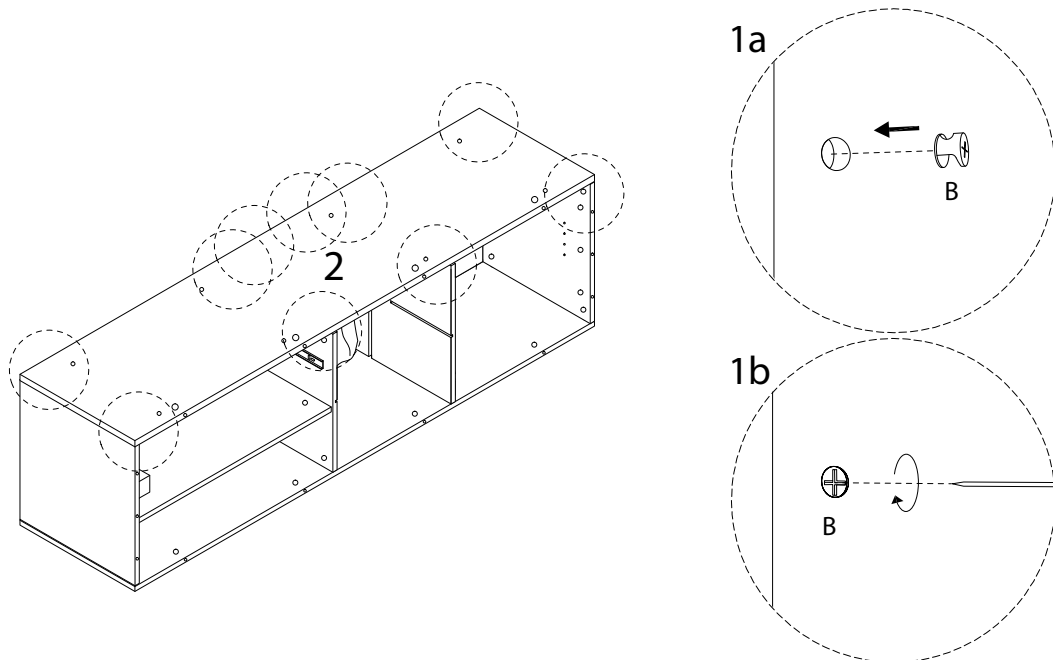
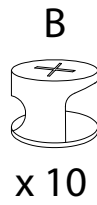




22



23



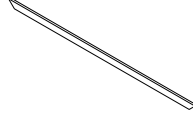
24

17



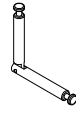
x 2

18

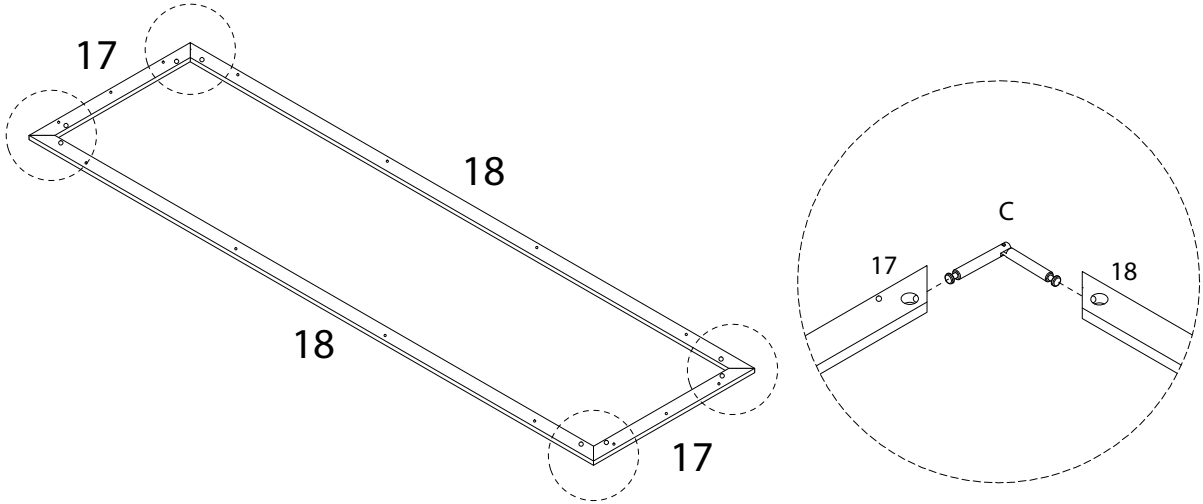


x 2

C



x 4

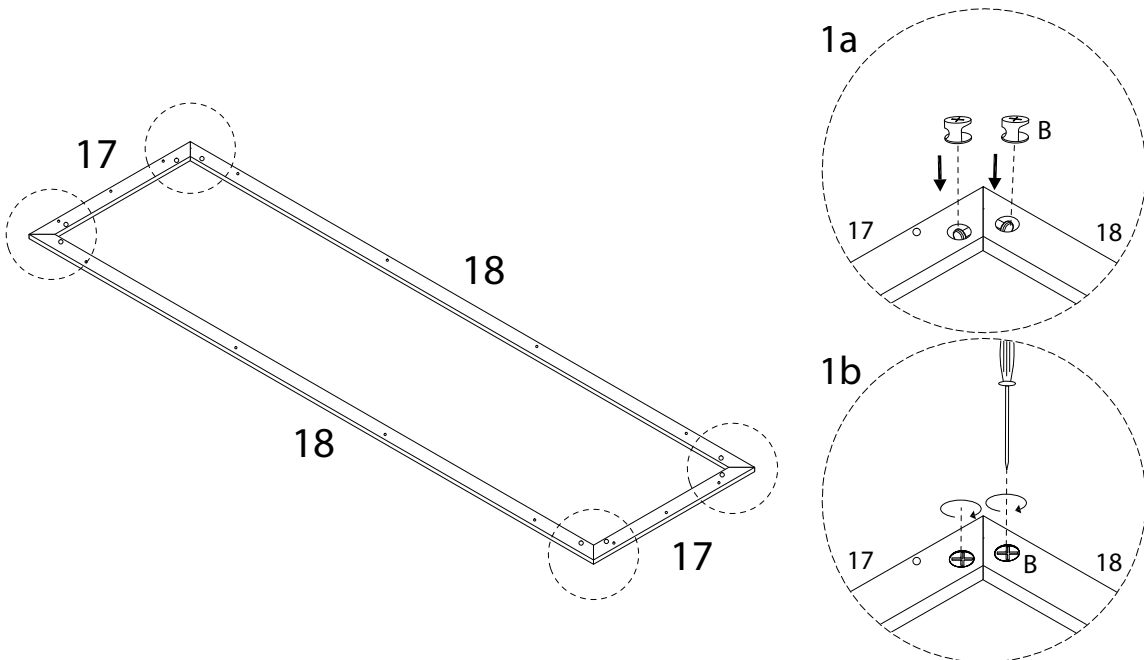


25

B



x 8

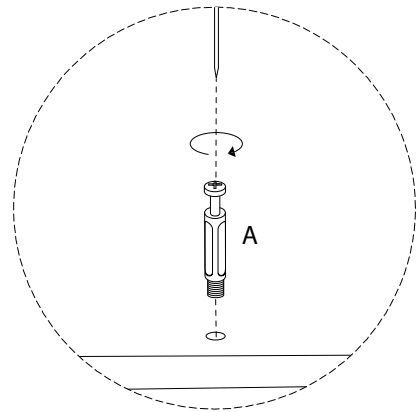
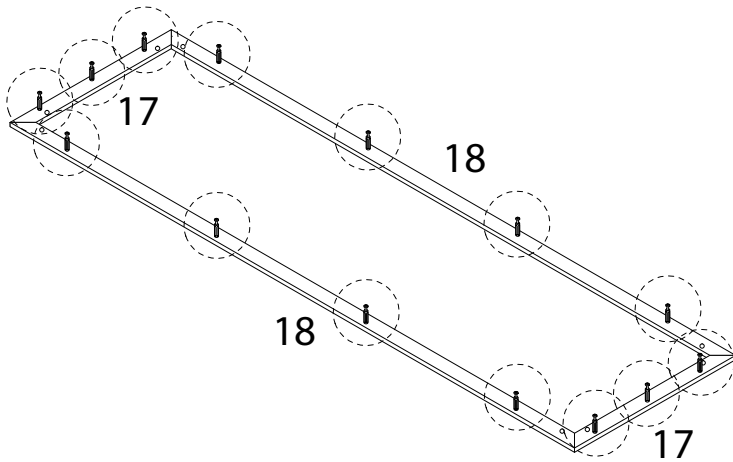


26

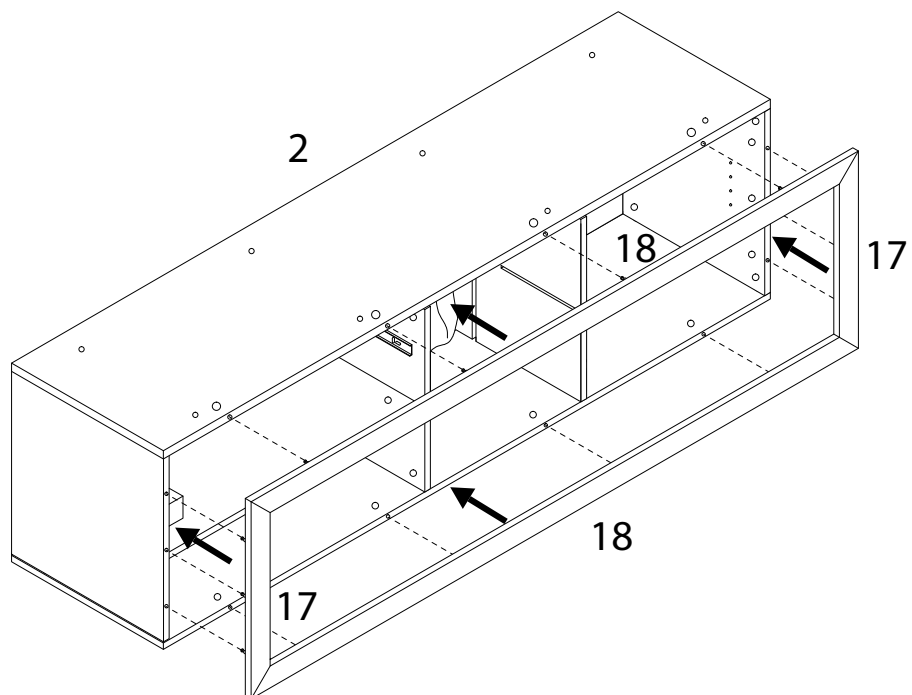
A



x 14



27

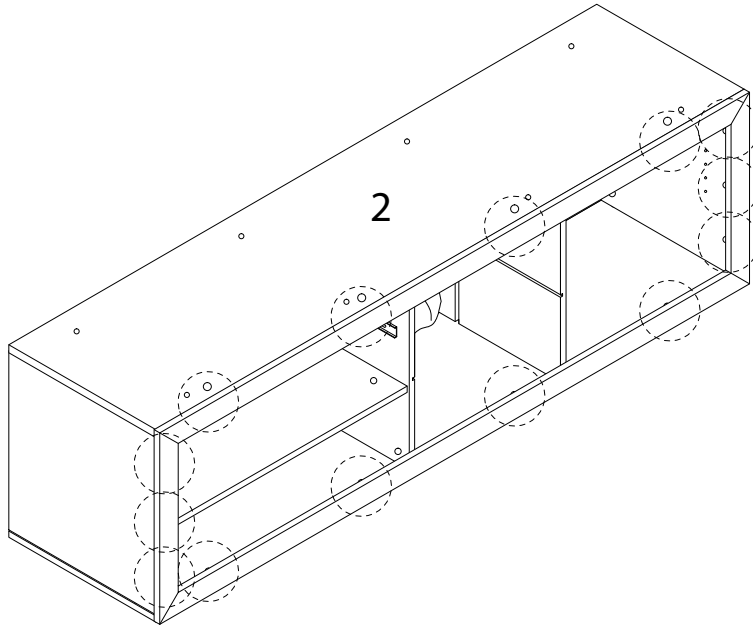


28

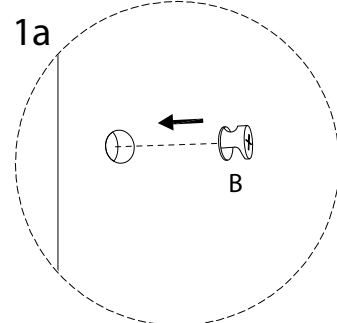
B



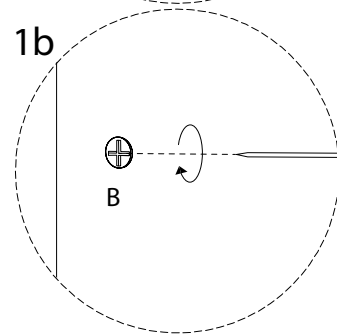
x 14



1a

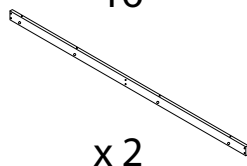


1b



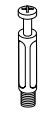
29

16

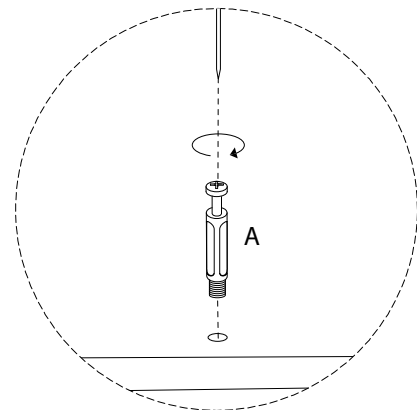
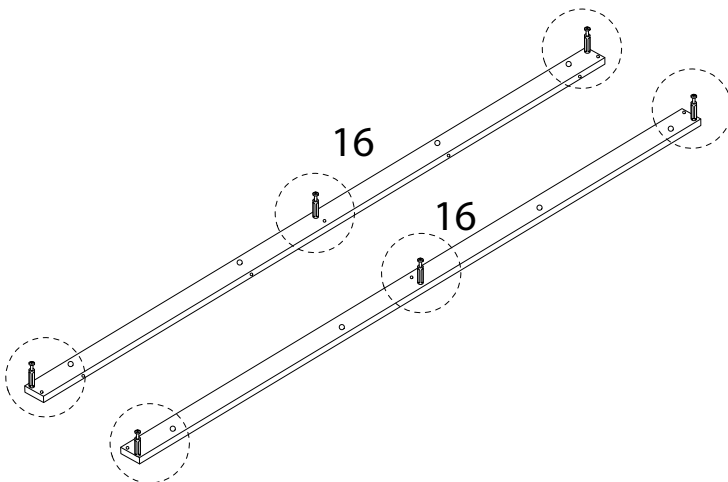


x 2

A



x 6

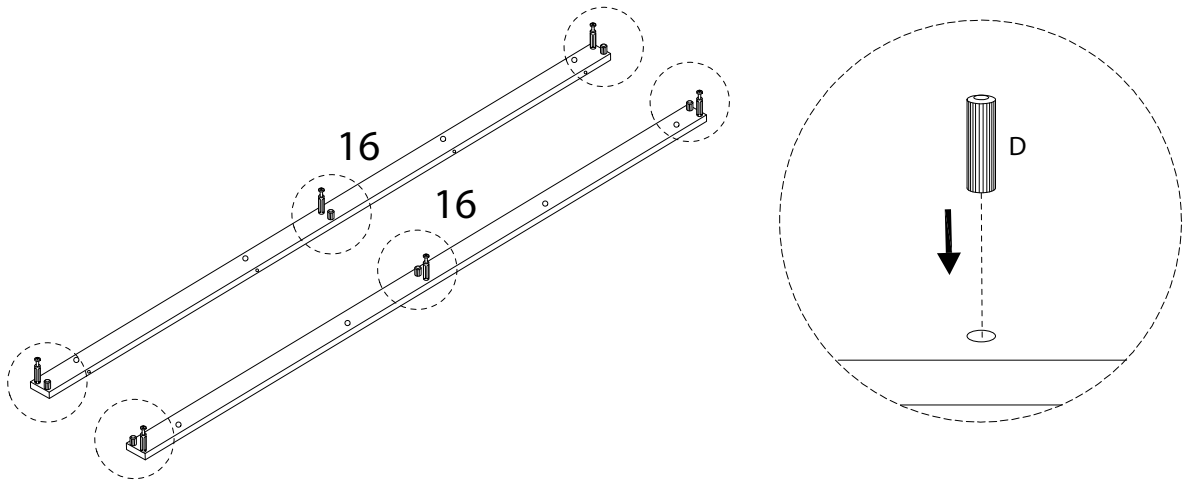


30

D

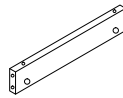


x 6

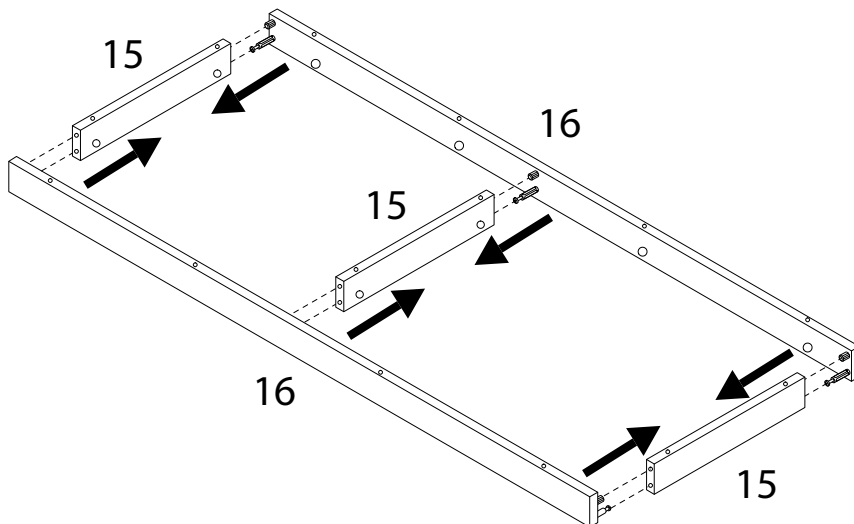


31

15



x 3

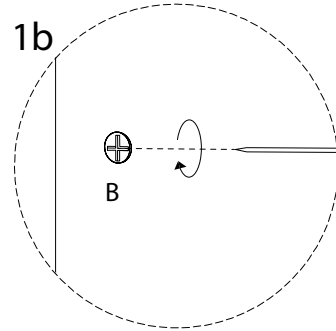
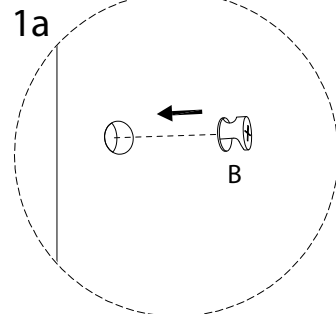
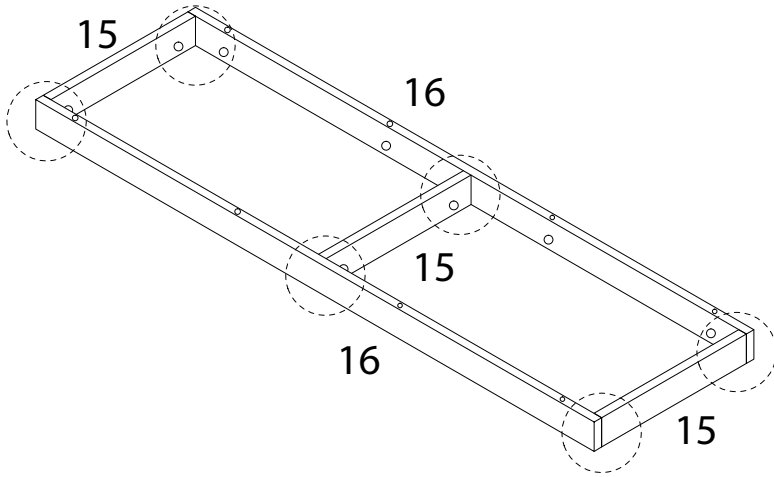


32

B



x 6

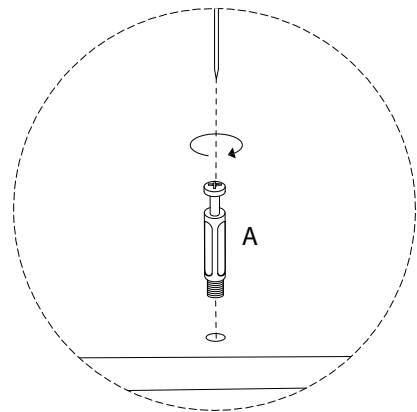
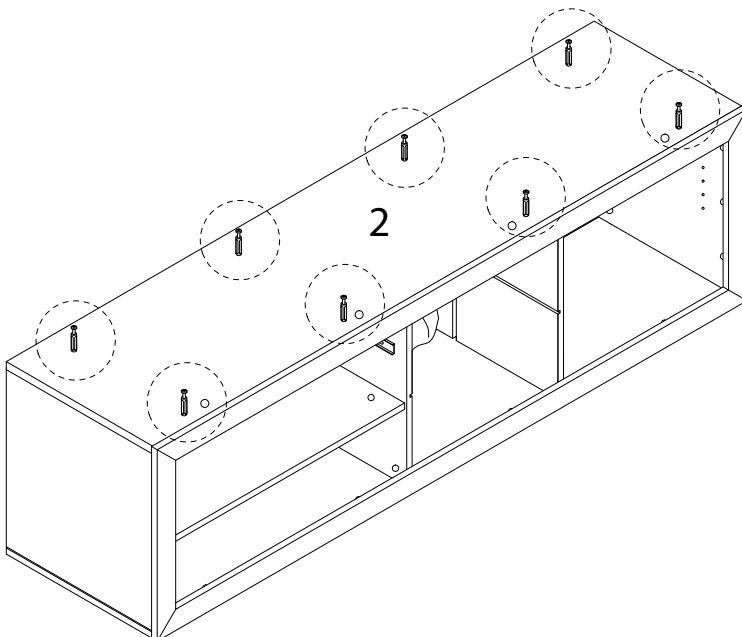


33

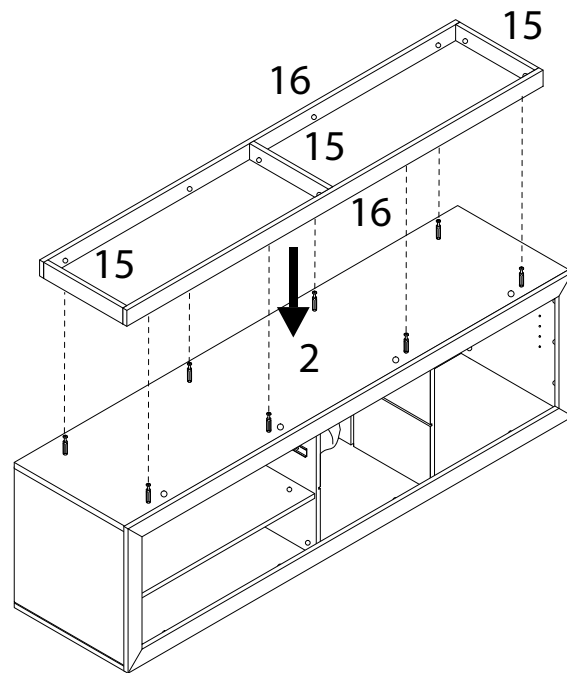
A



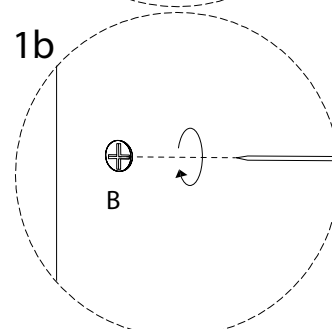
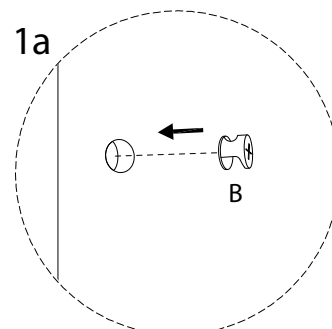
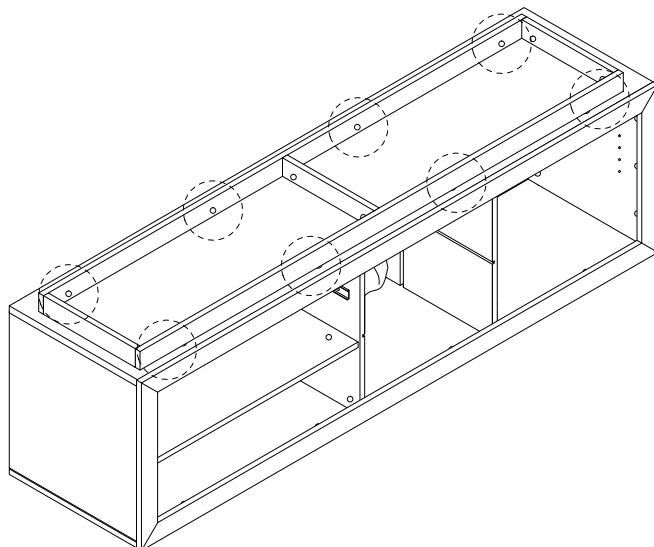
x 8



34

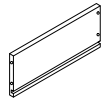


35



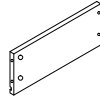
36

21



x 1

22



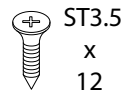
x 1

P2



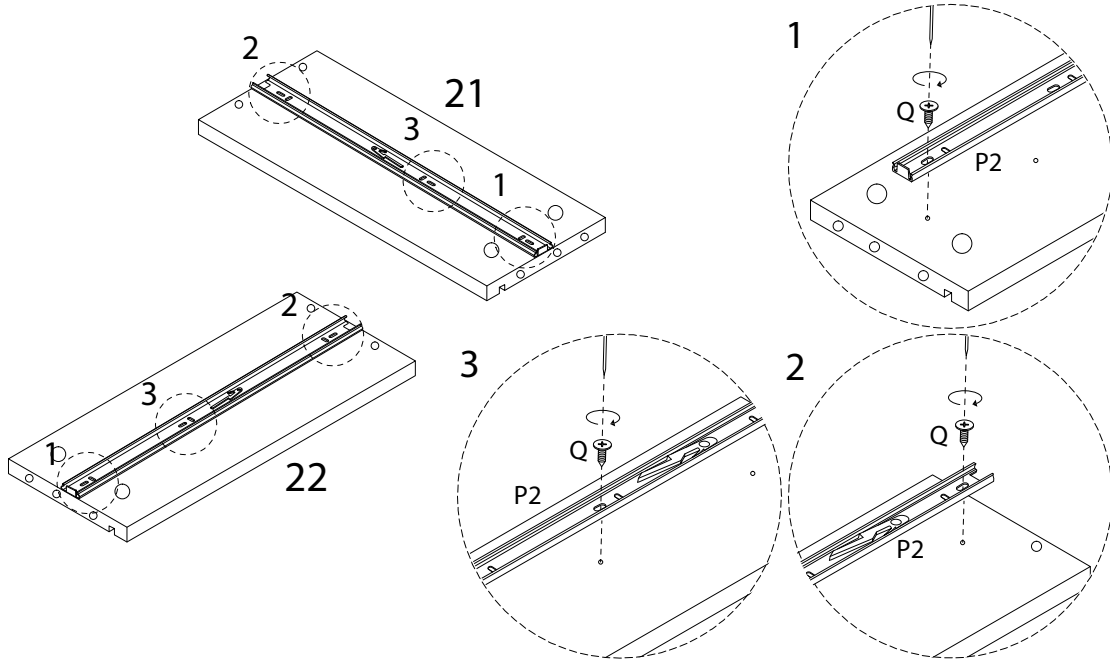
x 2

Q



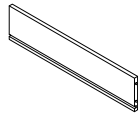
ST3.5  
x  
12

x 6



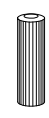
37

23

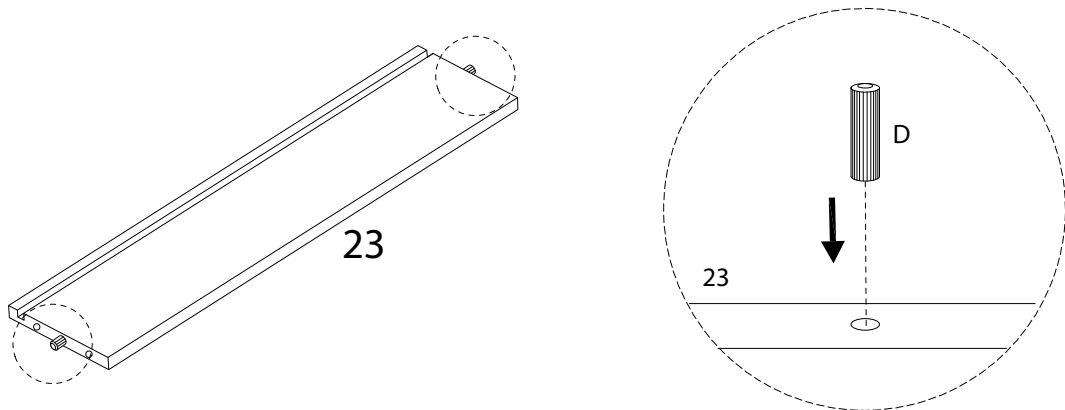


x 1

D



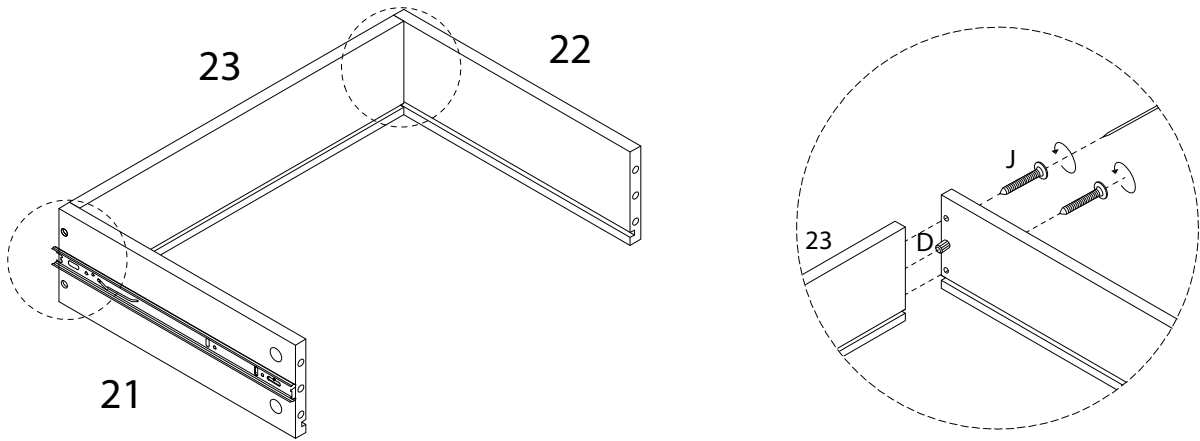
x 2





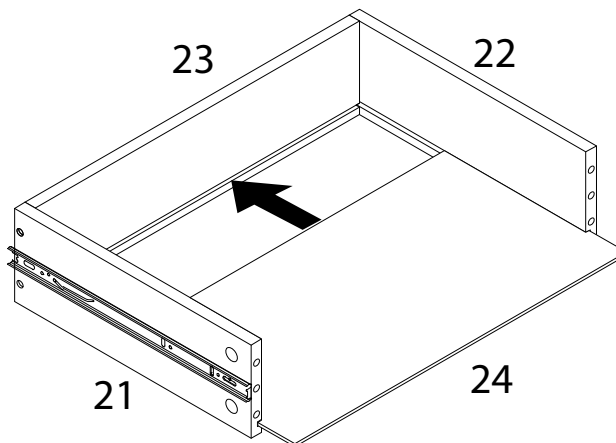
38

J  
ST4  
x  
35  
x 4

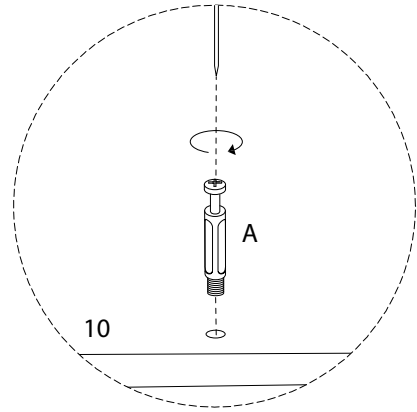
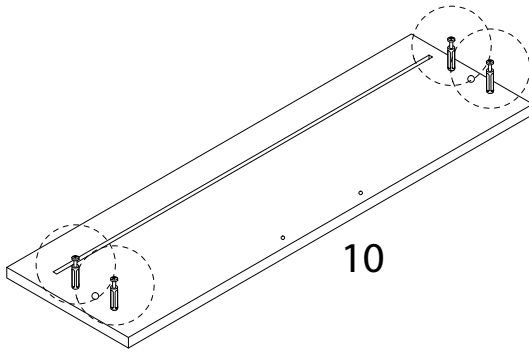
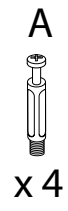
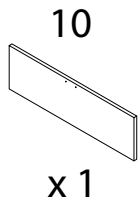


39

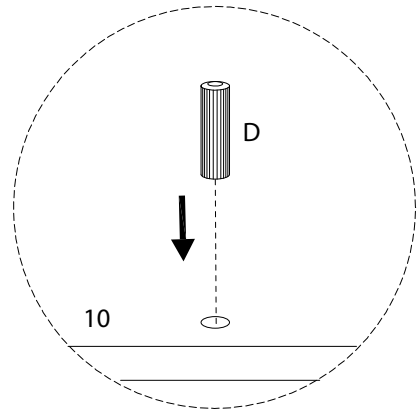
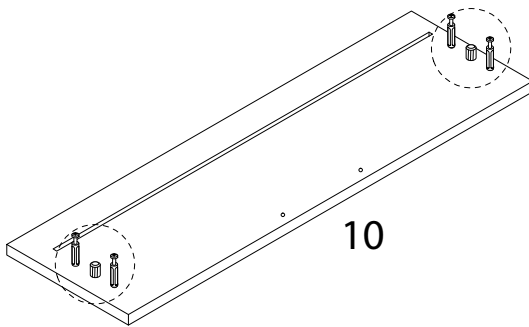
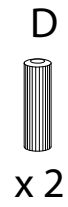
24  
x 1



40



41

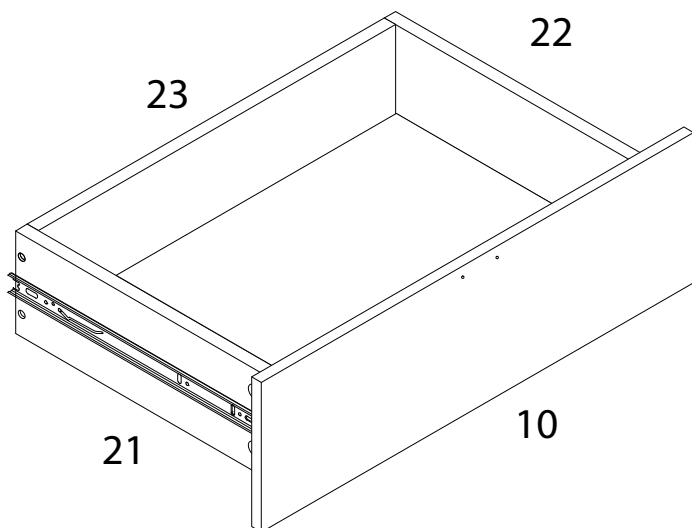


42

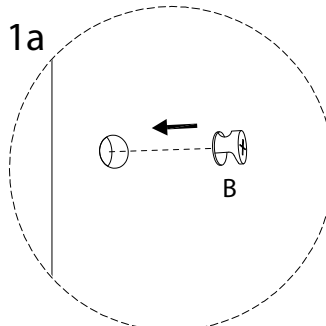
B



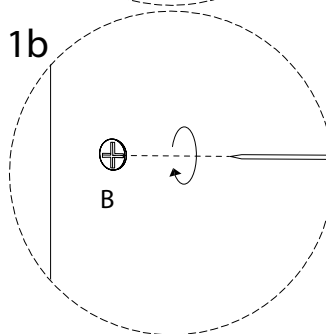
x 4



1a

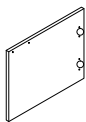


1b



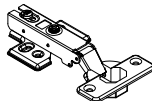
43

9



x 1

F

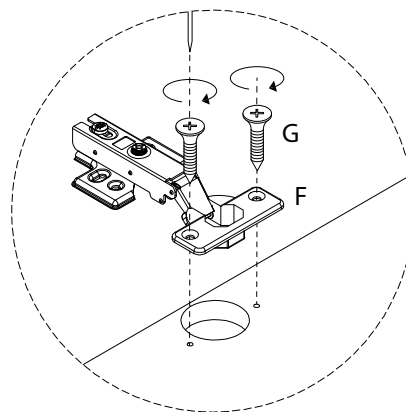
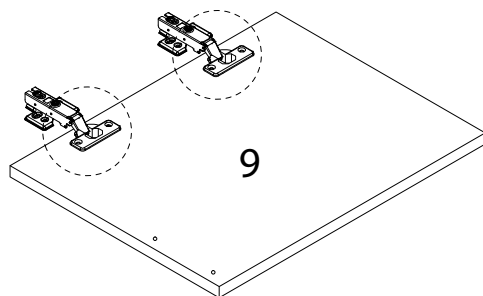


x 2

G



x 4

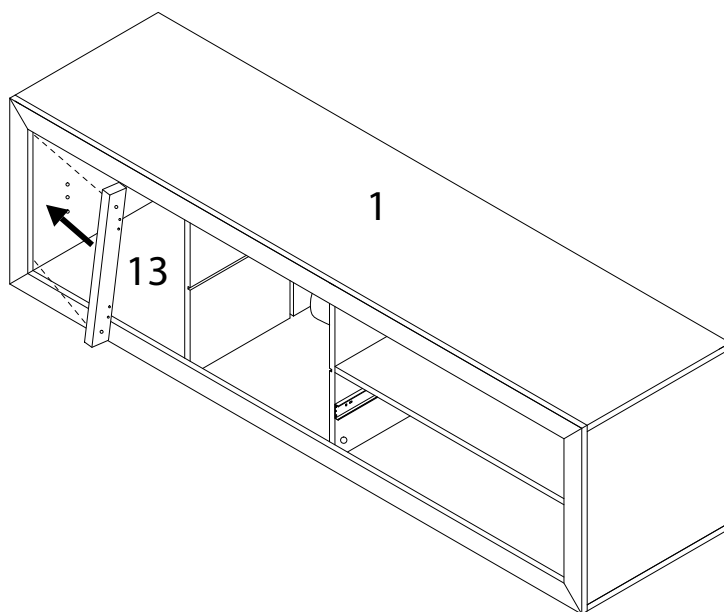


44

13



x 1

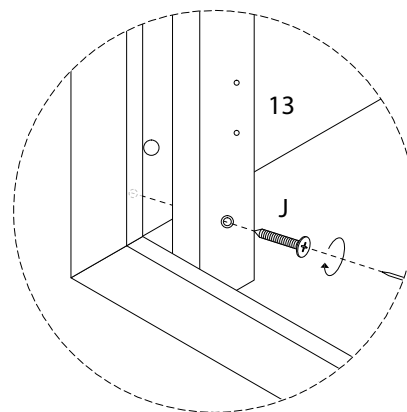
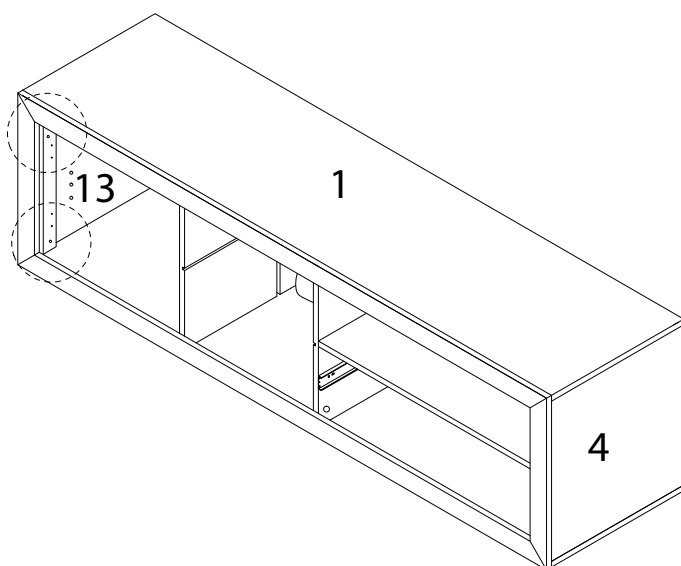


45

J

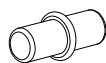


x 2

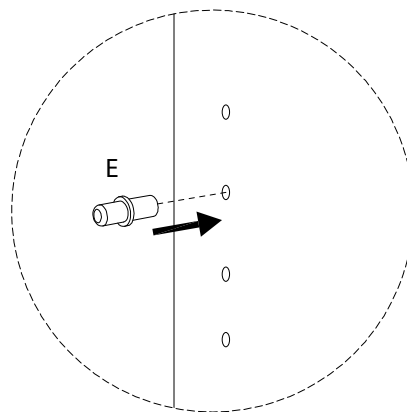
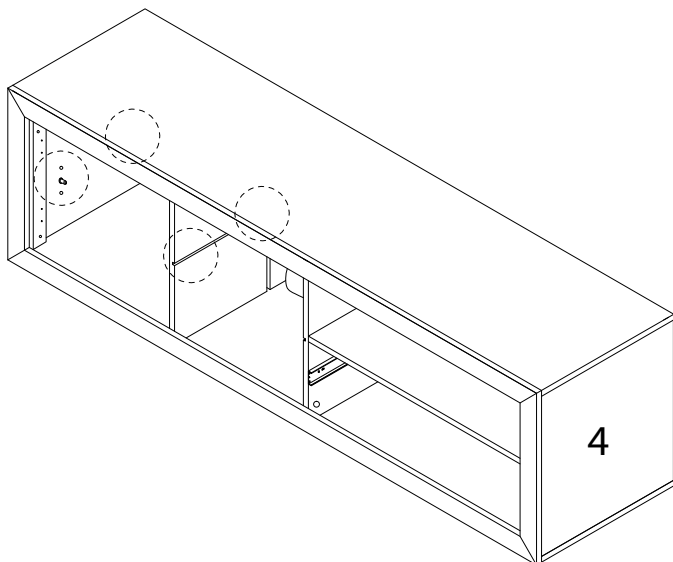


46

E



x 4

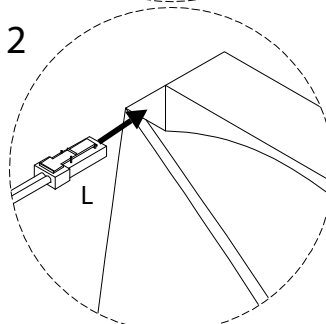
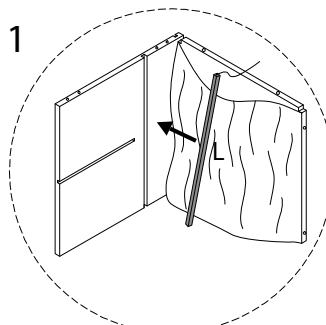
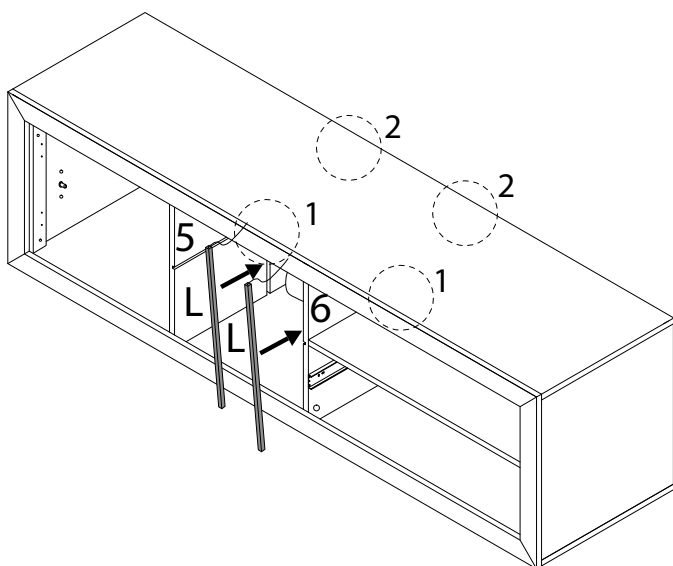


47

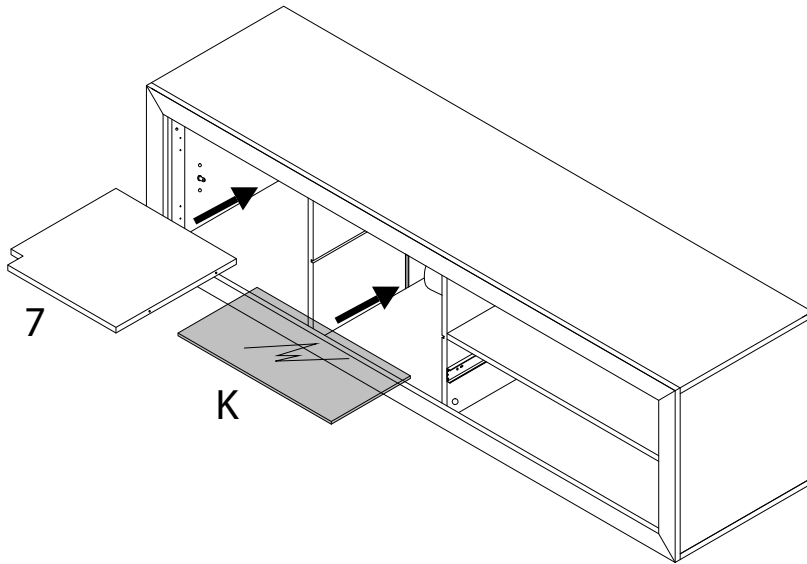
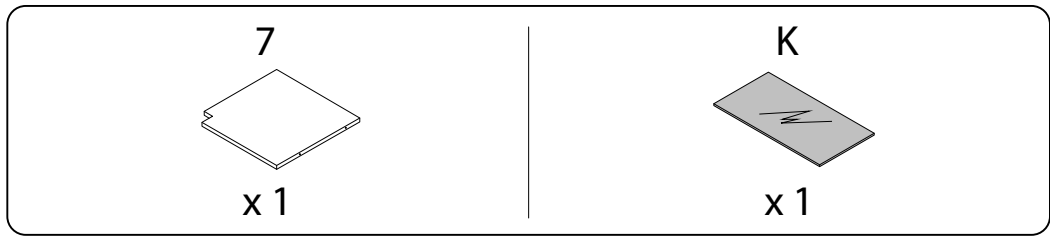
L



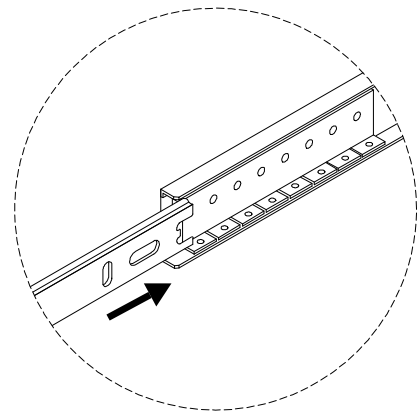
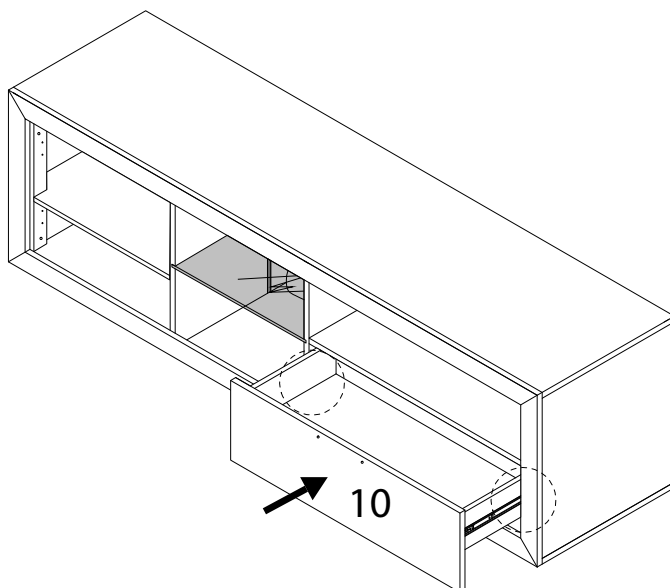
x 2



48



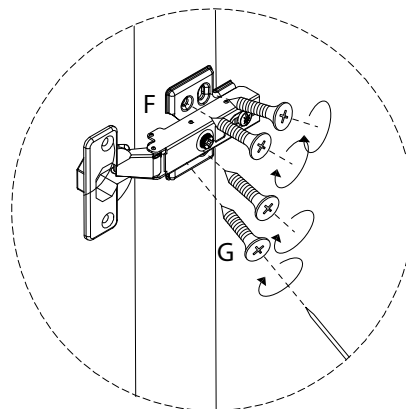
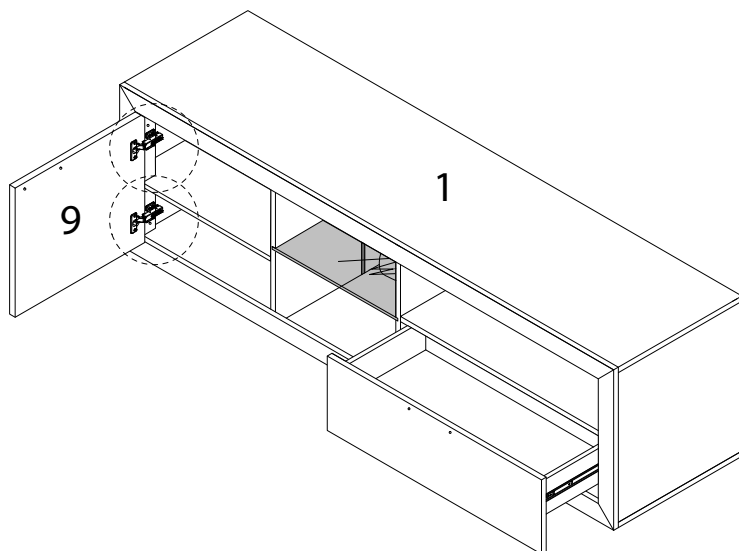
49



50

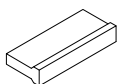
G

ST4  
x  
16  
x 12



51

H



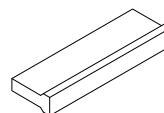
x 1

I

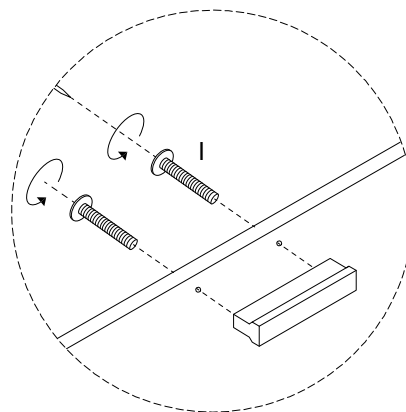
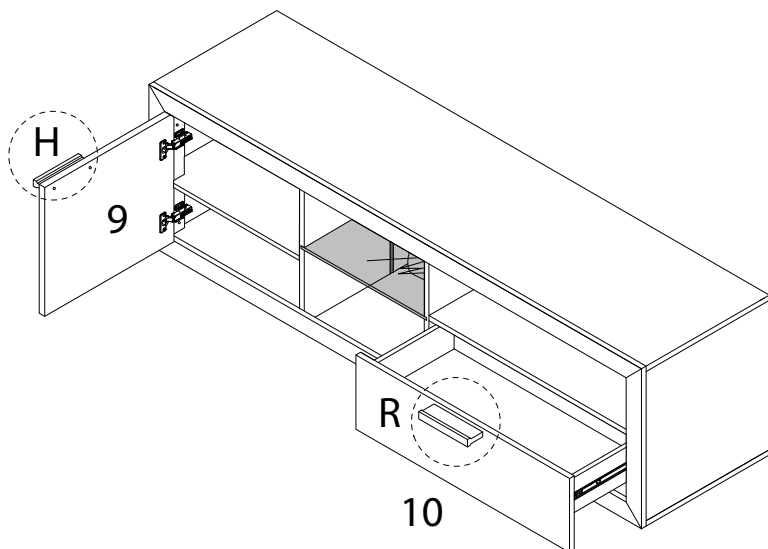


x 4

R



x 1



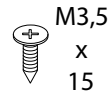
52

V1

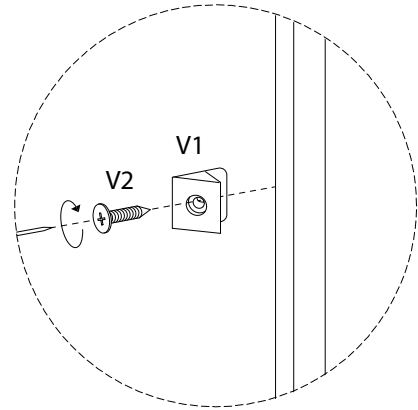
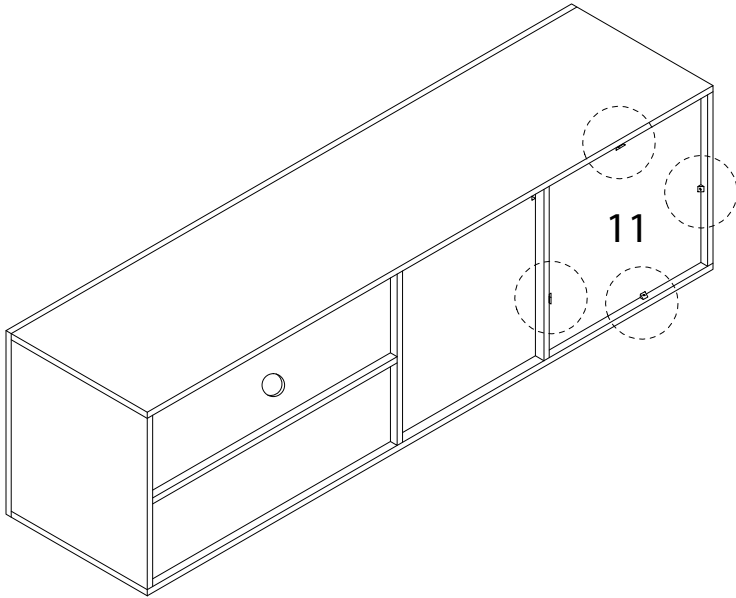


x 4

V2

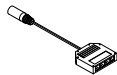


x 4



53

S



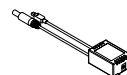
x 1

T

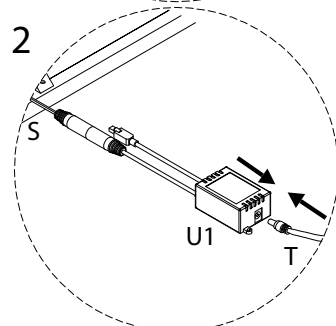
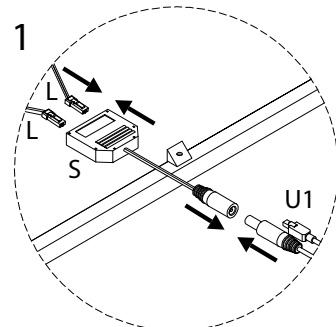
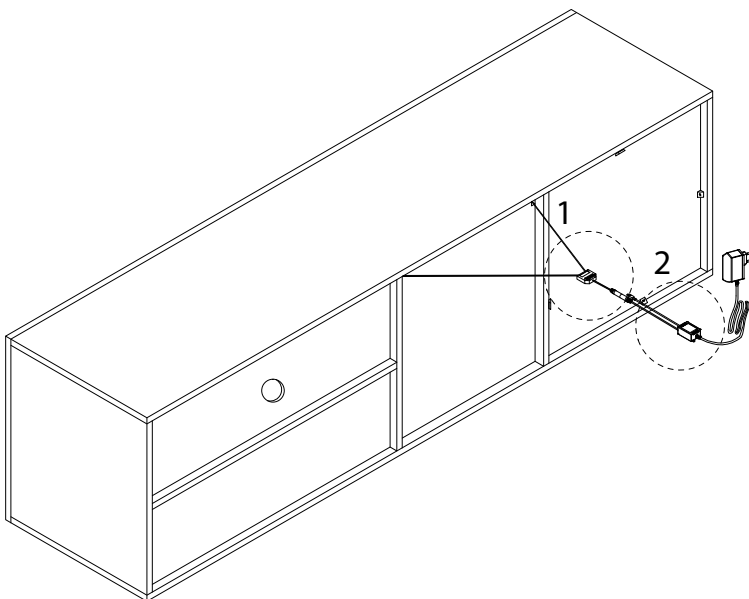


x 1

U1



x 1





54

