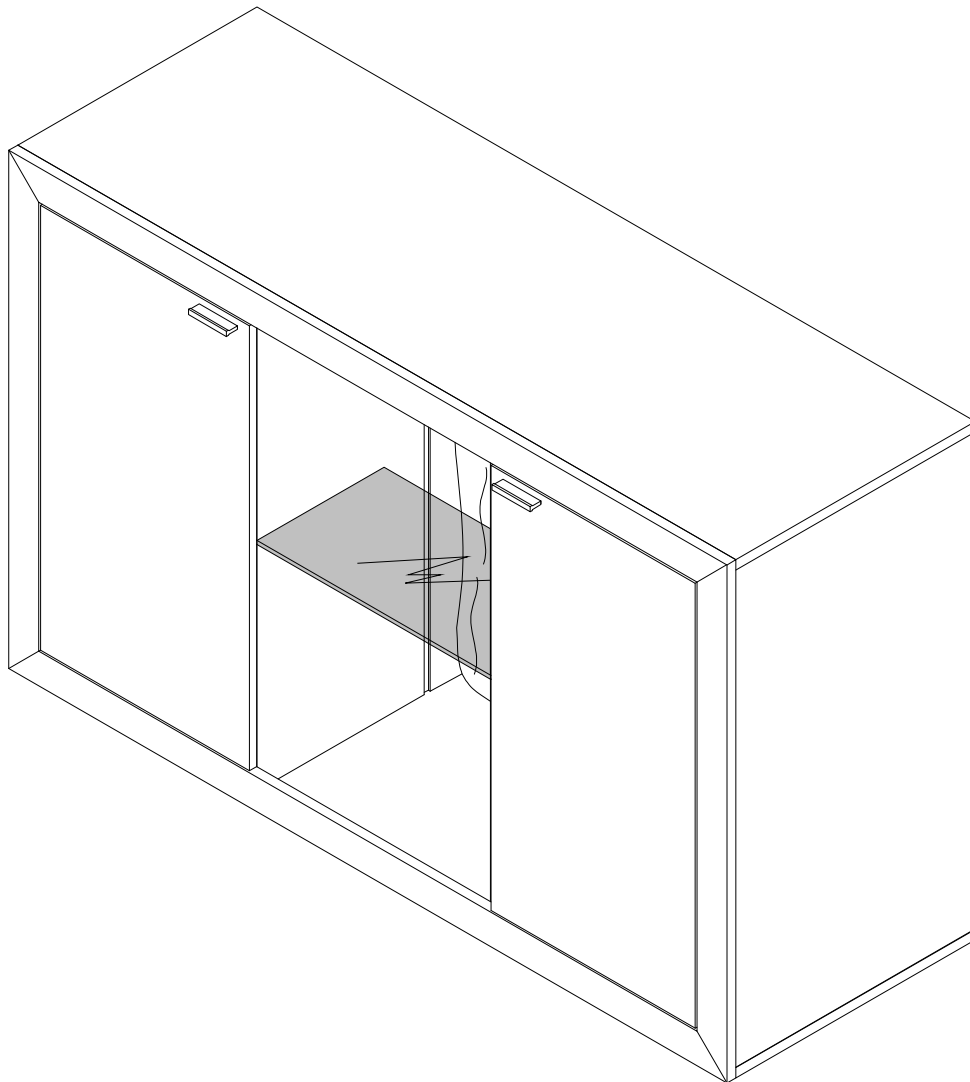
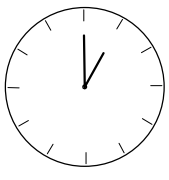
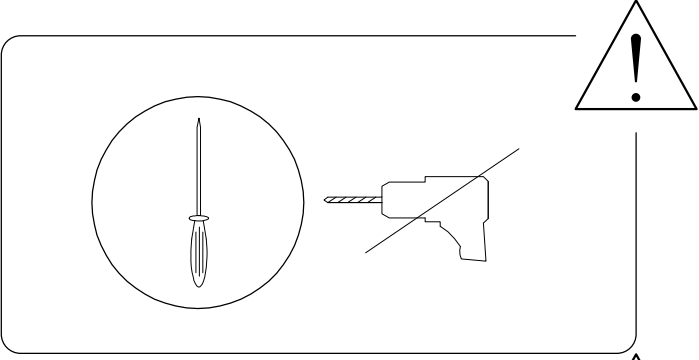
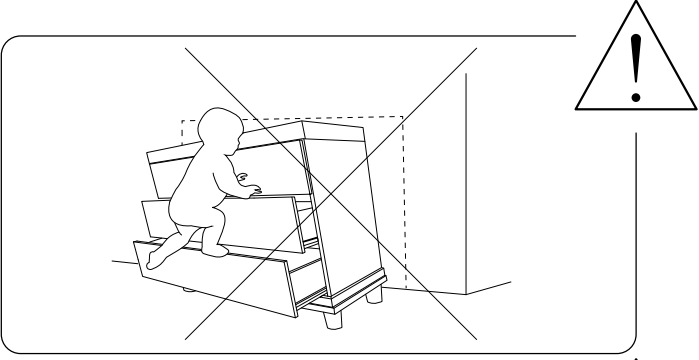
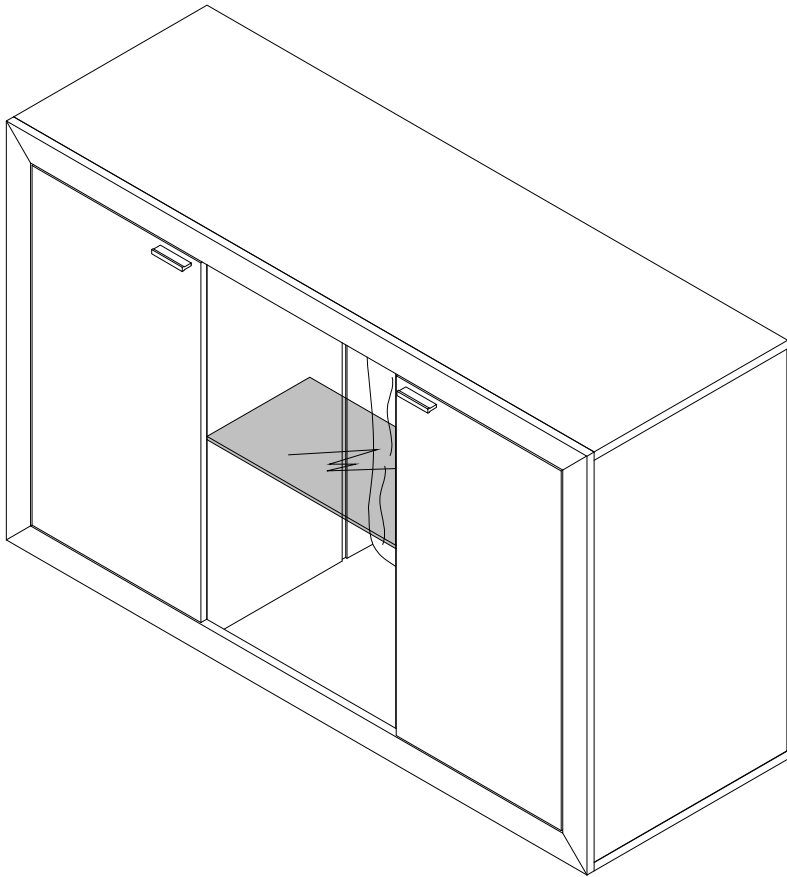
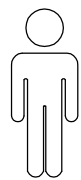
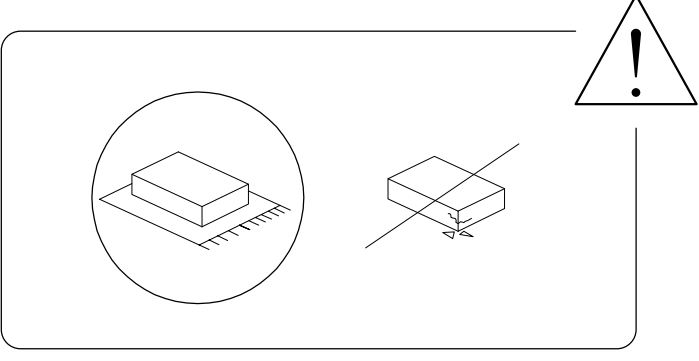


# MARANA

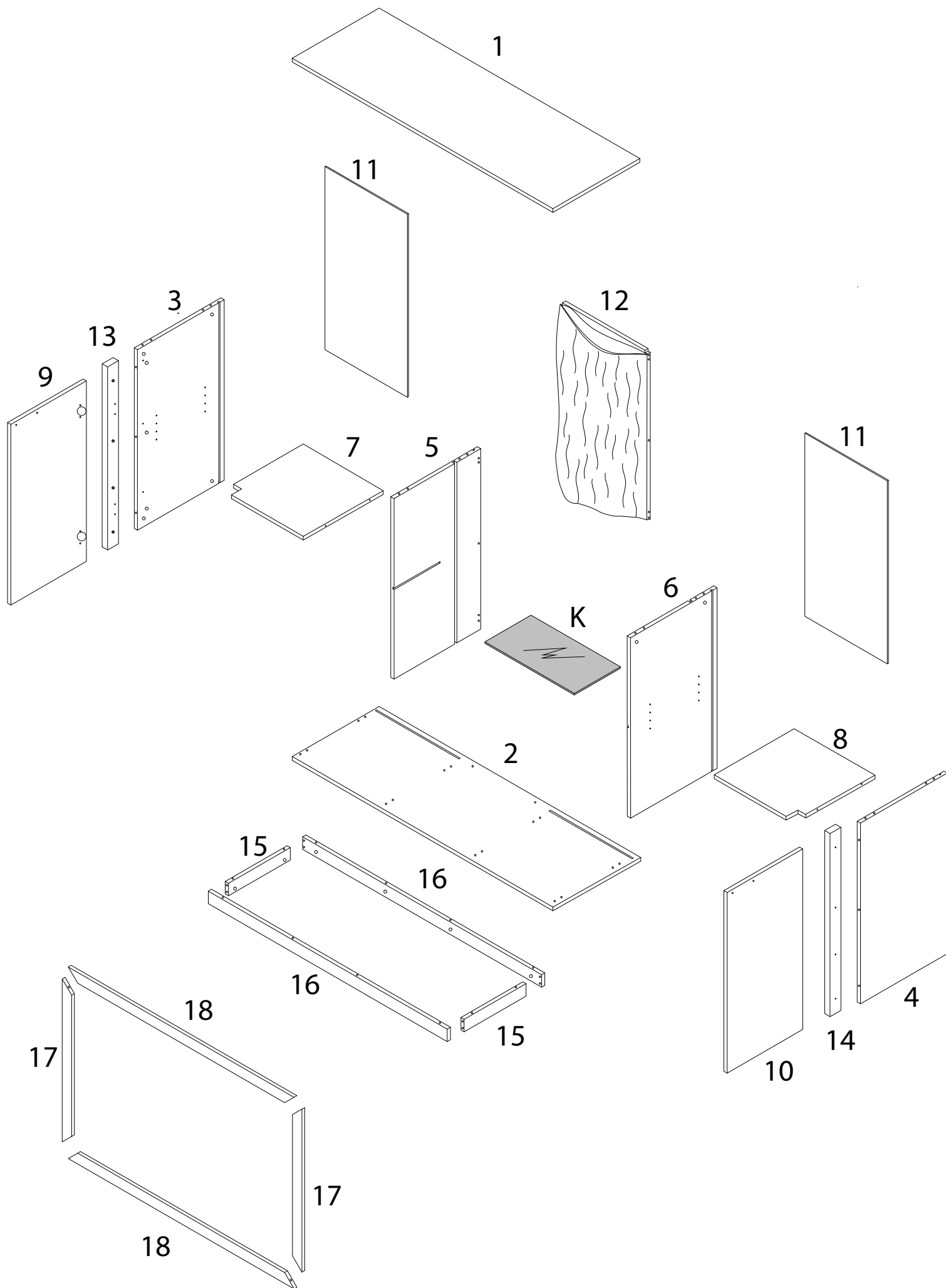


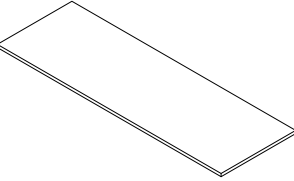
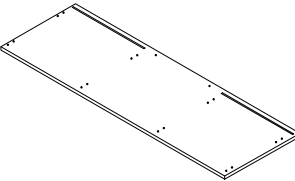
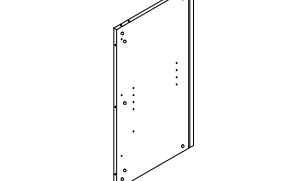
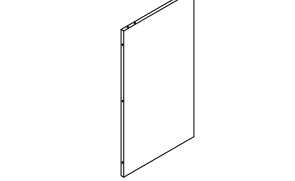
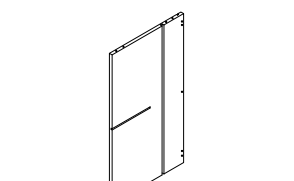
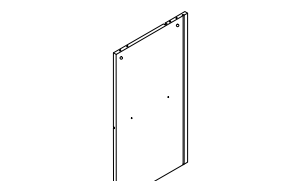
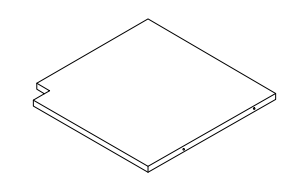
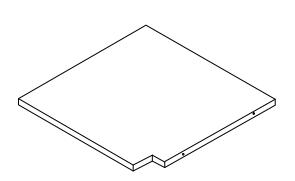
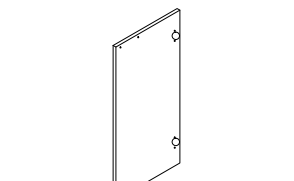
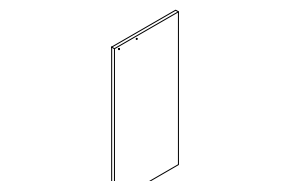
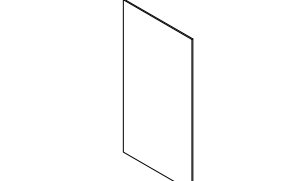
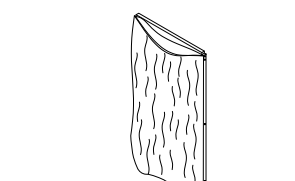
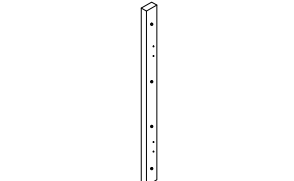
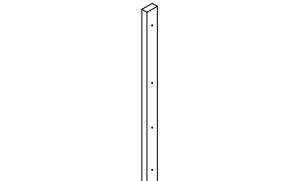
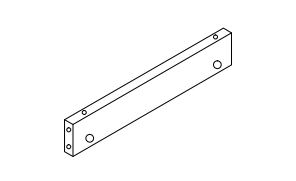
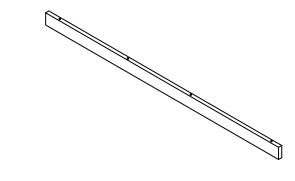

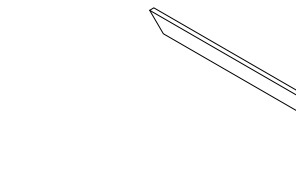


60'

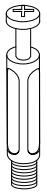


2



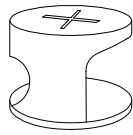
<p>1</p>  <p>x 1</p>	<p>2</p>  <p>x 1</p>	<p>3</p>  <p>x 1</p>	<p>4</p>  <p>x 1</p>
<p>5</p>  <p>x 1</p>	<p>6</p>  <p>x 1</p>	<p>7</p>  <p>x 1</p>	<p>8</p>  <p>x 1</p>
<p>9</p>  <p>x 1</p>	<p>10</p>  <p>x 1</p>	<p>11</p>  <p>x 2</p>	<p>12</p>  <p>x 1</p>
<p>13</p>  <p>x 1</p>	<p>14</p>  <p>x 1</p>	<p>15</p>  <p>x 2</p>	<p>16</p>  <p>x 2</p>
<p>17</p>  <p>x 2</p>		<p>18</p>  <p>x 2</p>	

A



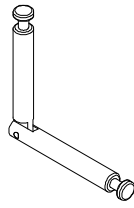
x 50

B



x 58

C



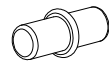
x 4

D



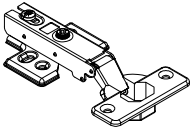
x 24

E



x 8

F



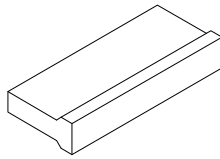
x 4

G



x 24

H



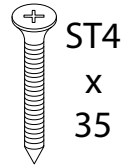
x 2

I



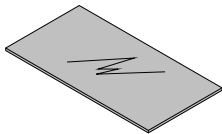
x 4

J



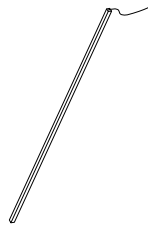
x 8

K



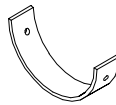
x 1

L



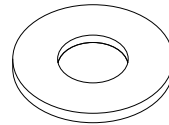
x 2

M



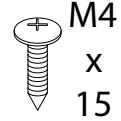
x 2

N



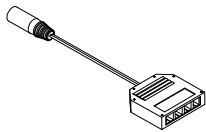
x 2

O



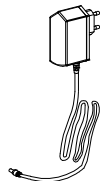
x 2

P



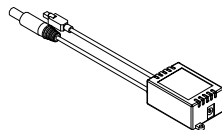
x 1

Q



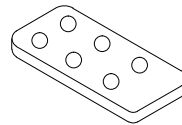
x 1

R1



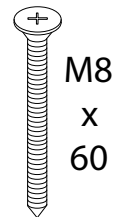
x 1

R2



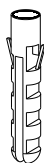
x 1

S1



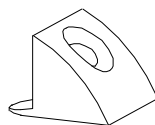
x 2

S2



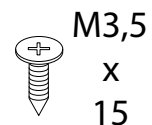
x 2

T1



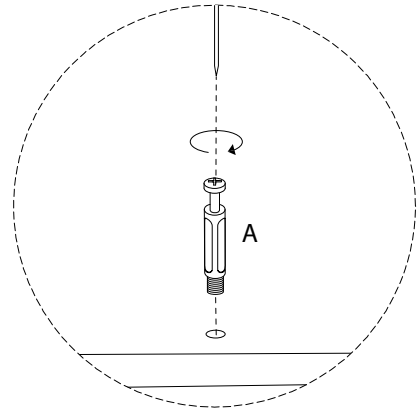
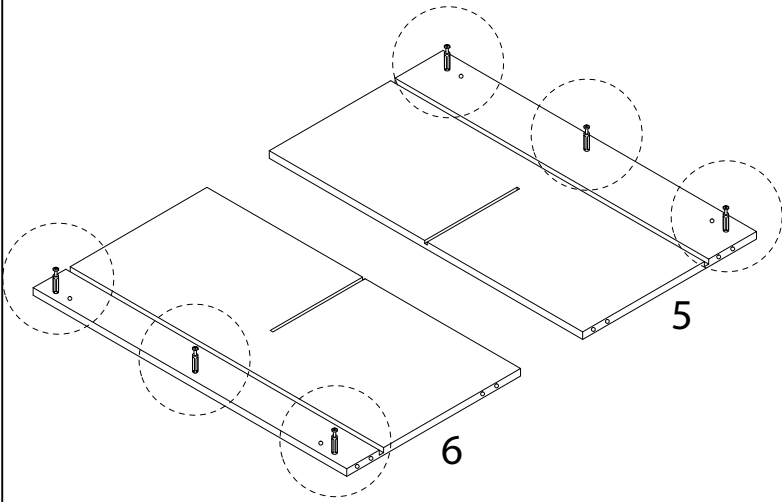
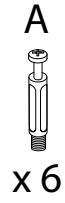
x 12

T2

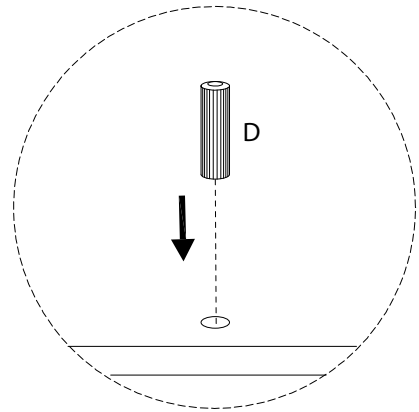
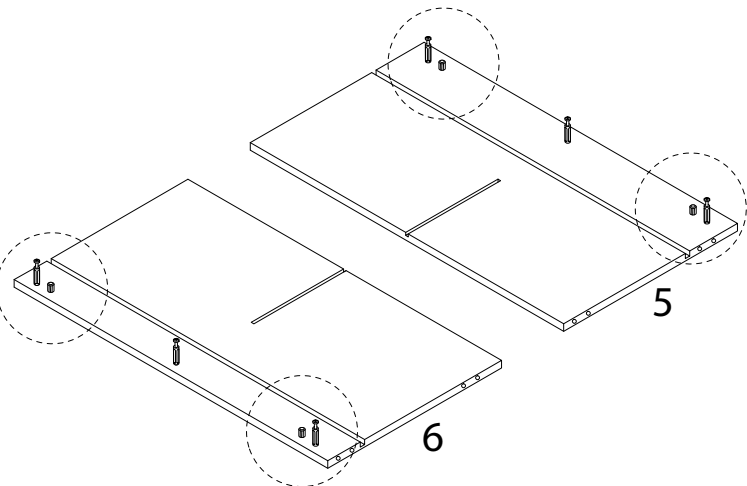
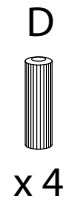


x 12

1



2

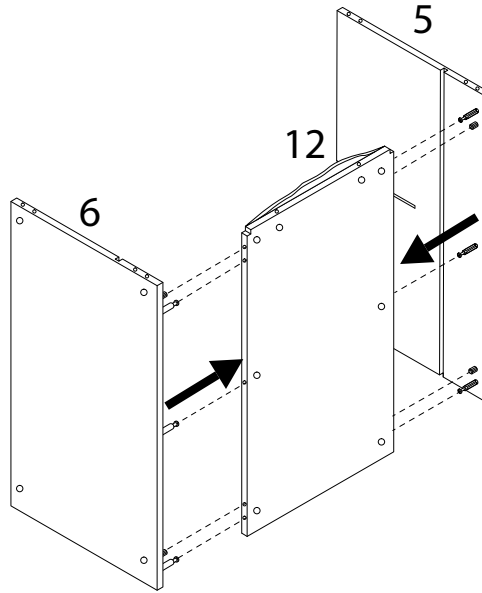


3

12



x 1

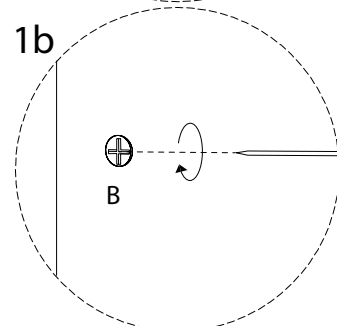
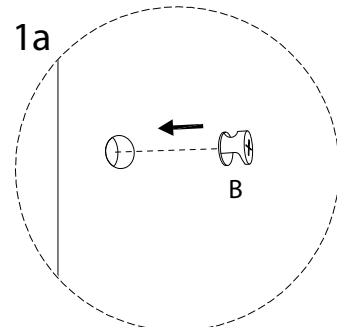
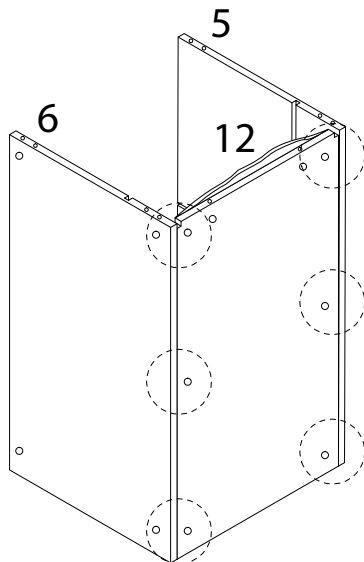


4

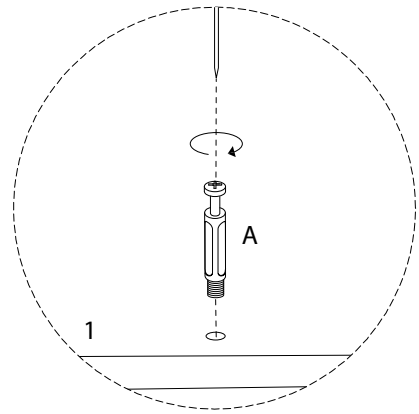
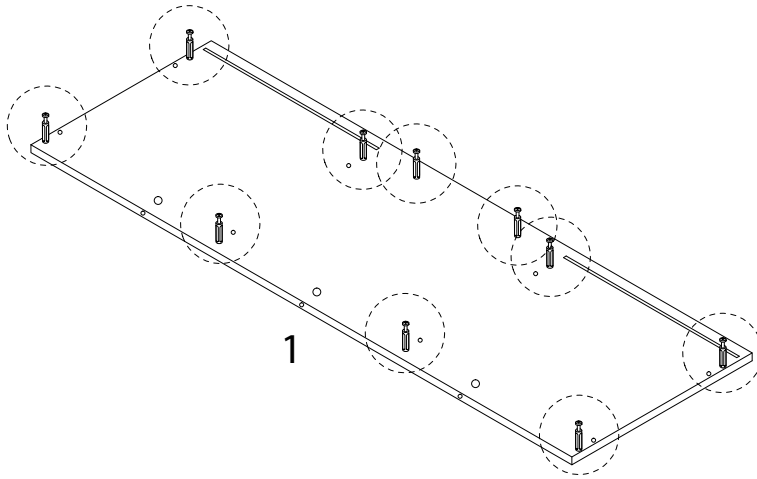
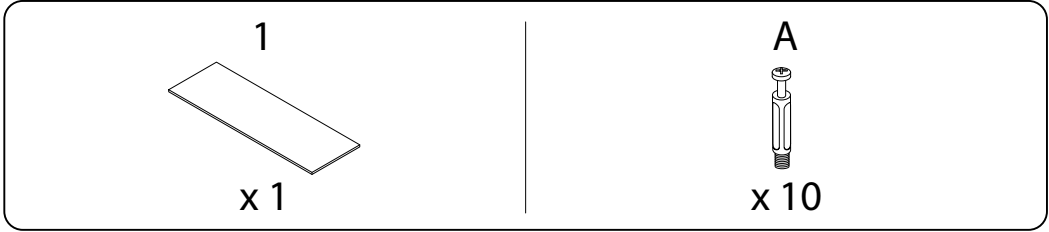
B



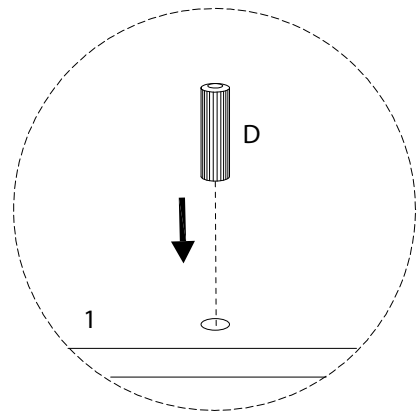
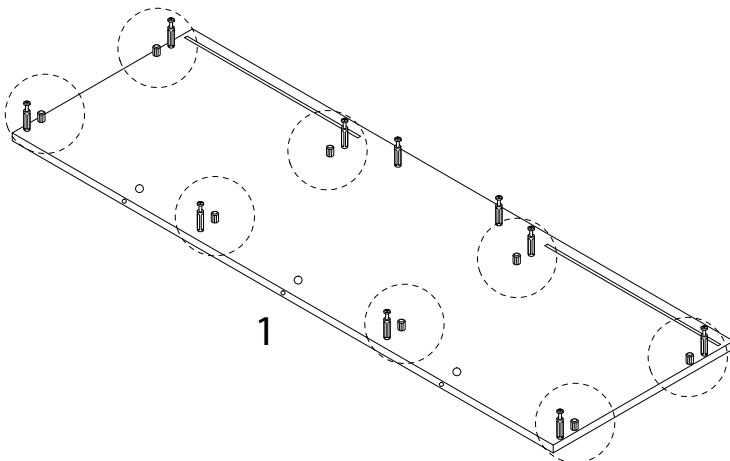
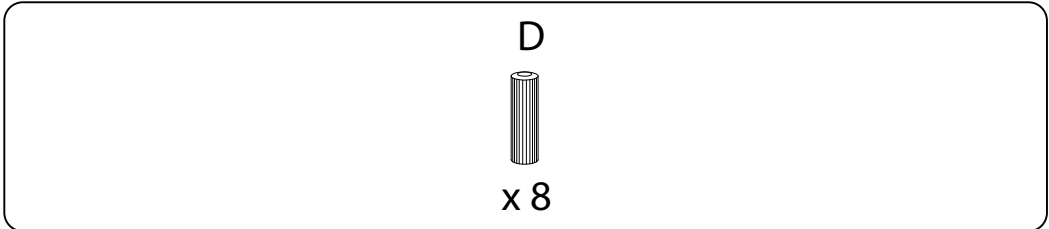
x 6



5

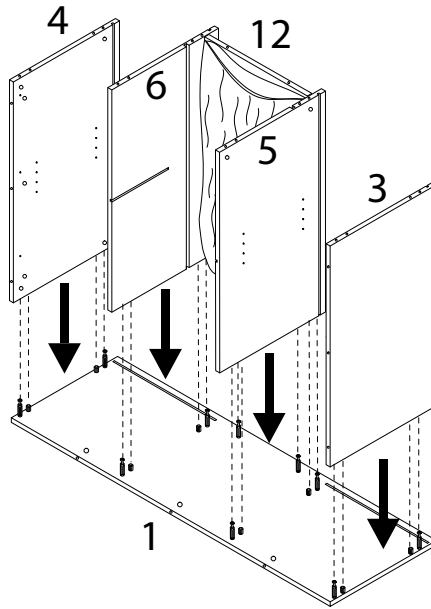
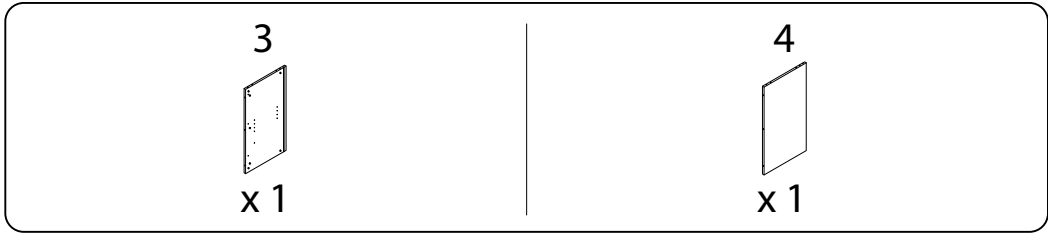


6

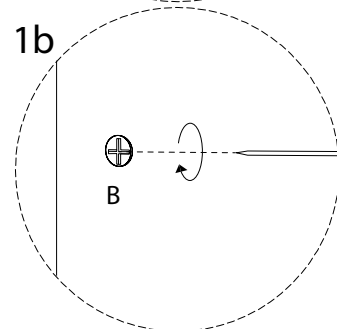
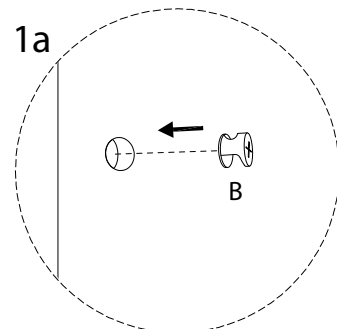
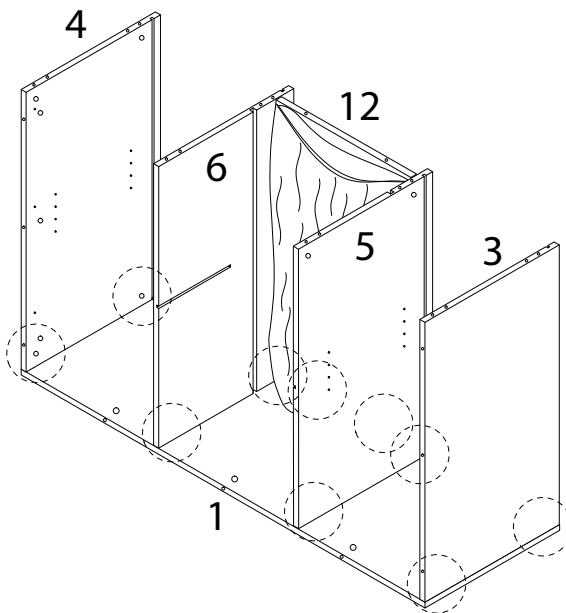
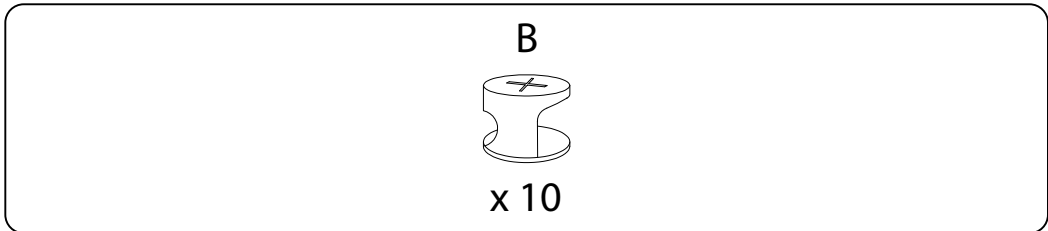




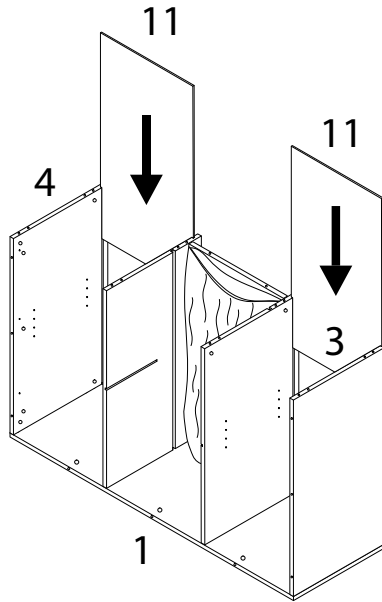
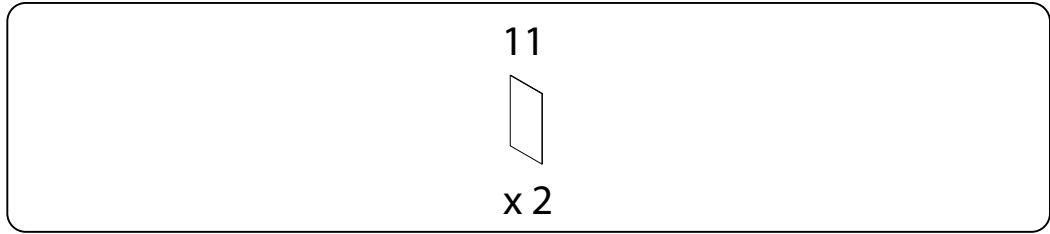
7



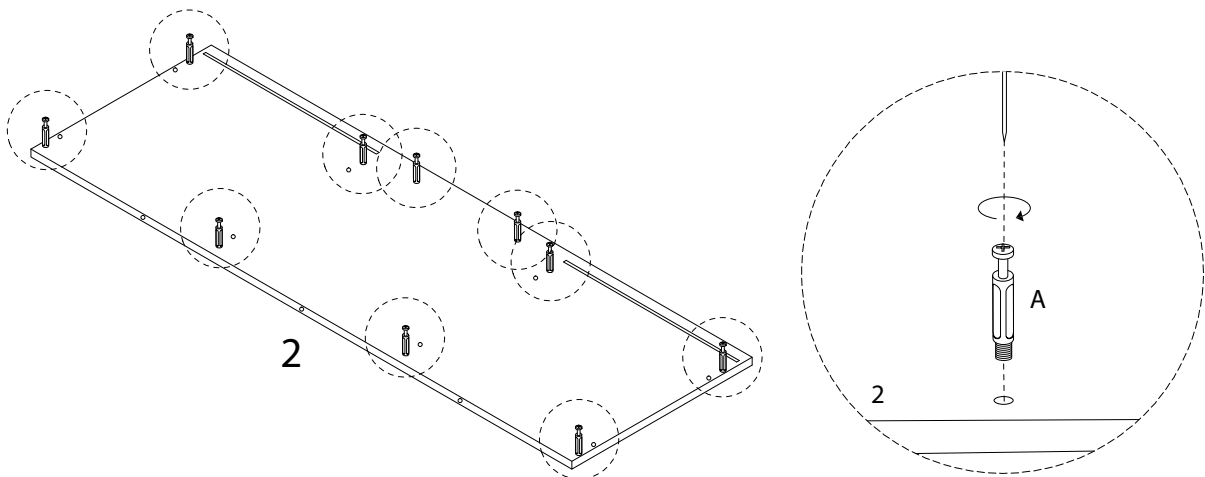
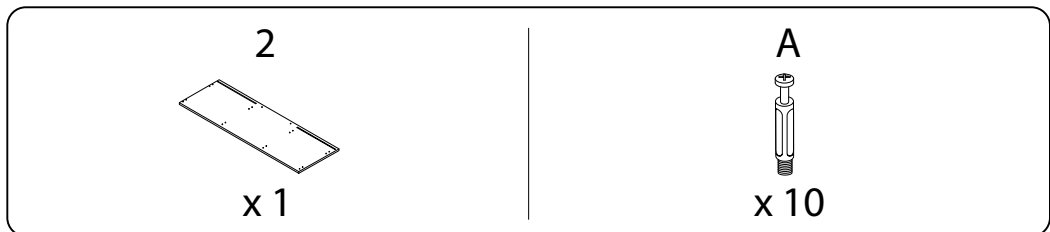
8



9

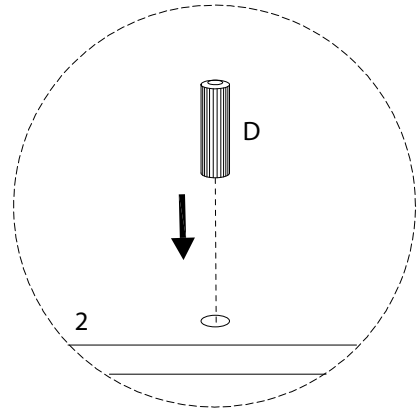
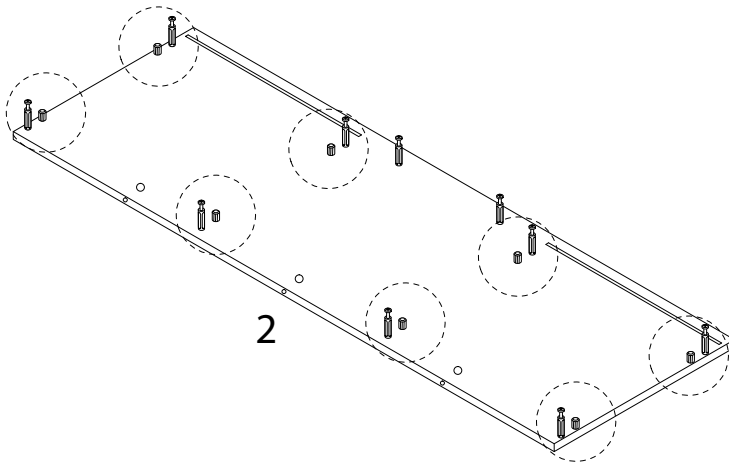


10

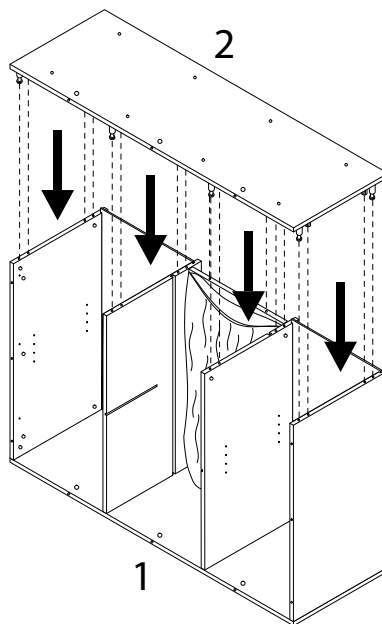


11

D  
x 8



12

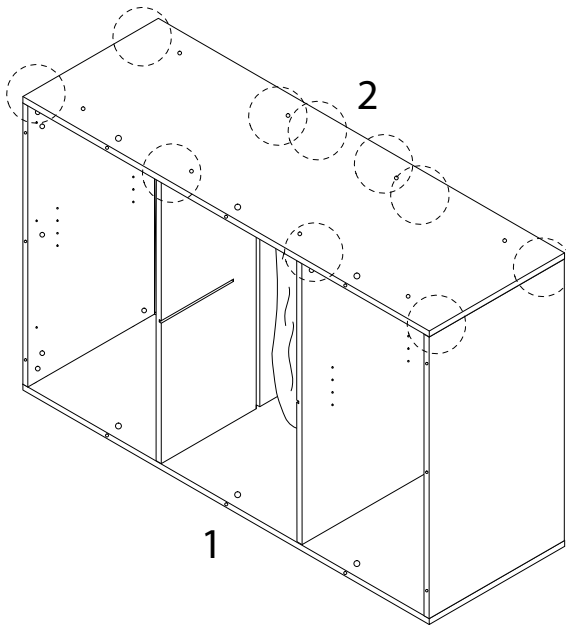


13

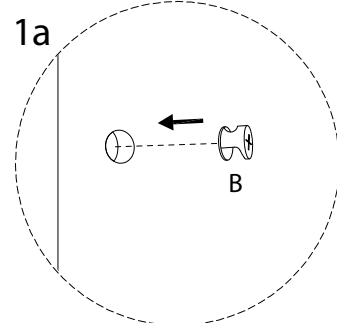
B



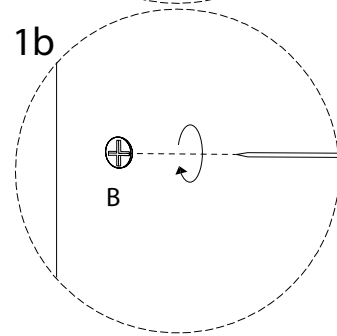
x 10



1a



1b



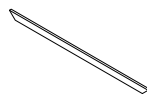
14

17



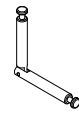
x 2

18

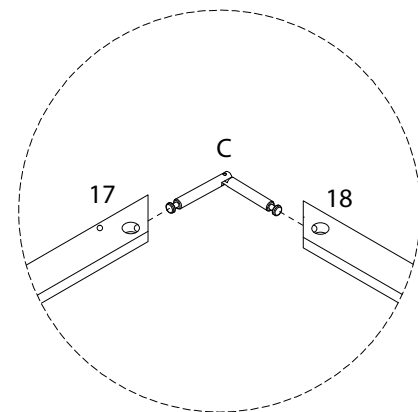
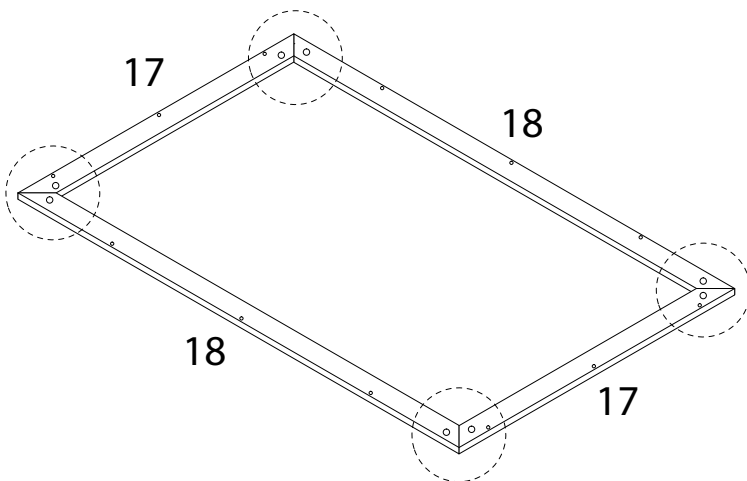


x 2

C



x 4

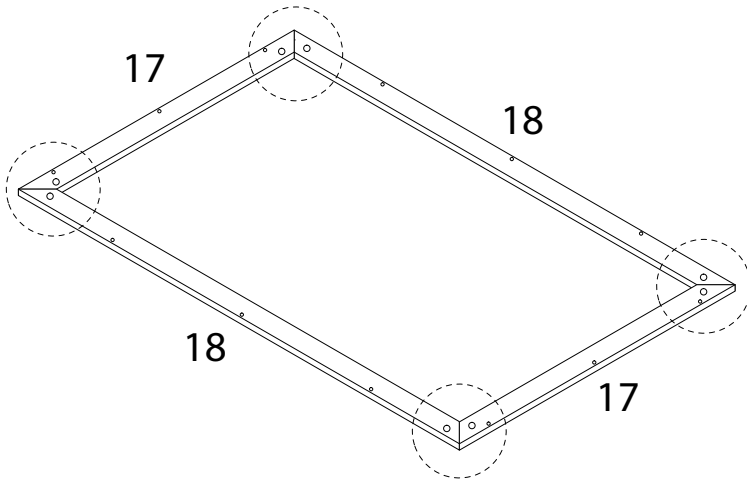


15

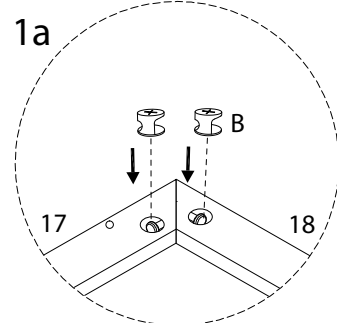
B



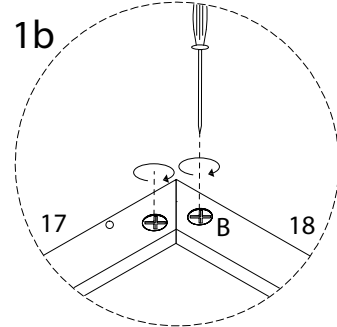
x 8



1a



1b

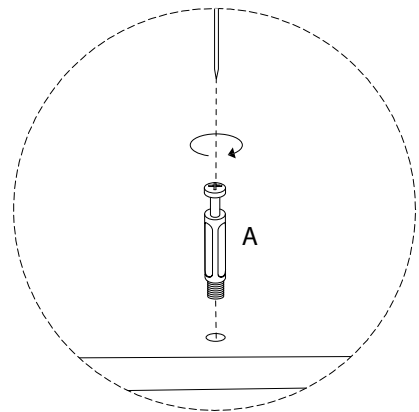
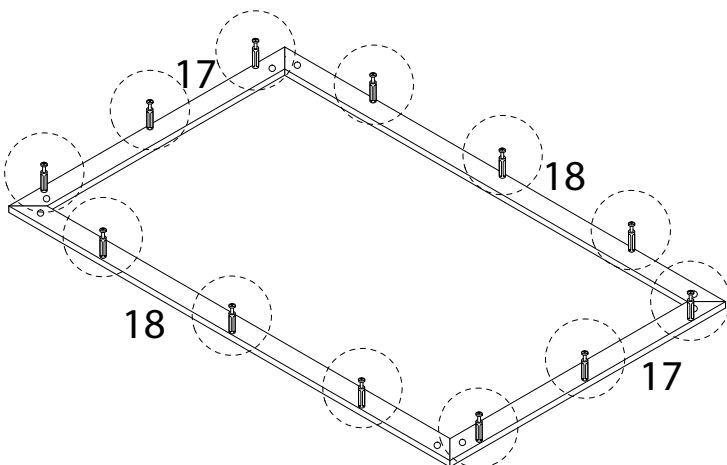


16

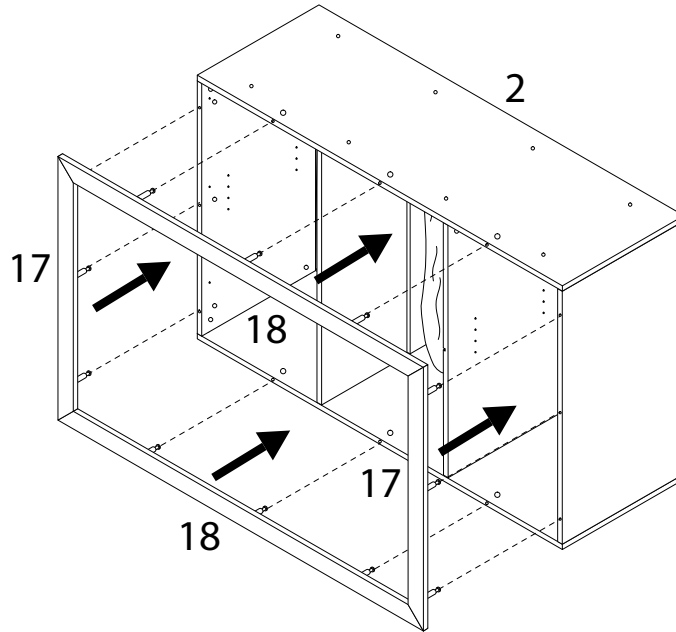
A



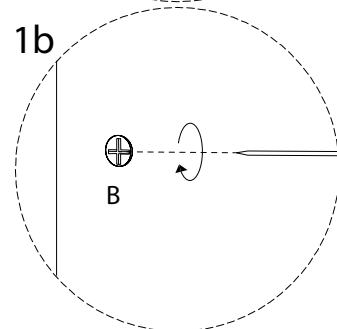
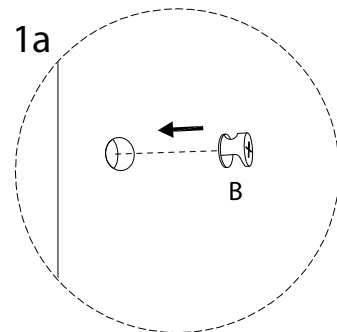
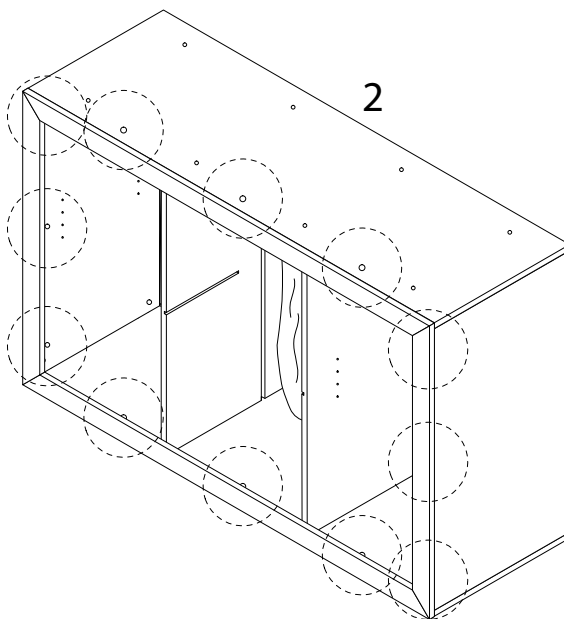
x 12



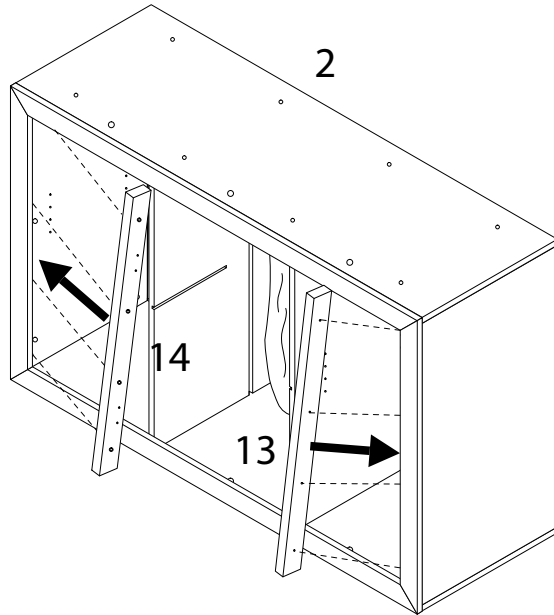
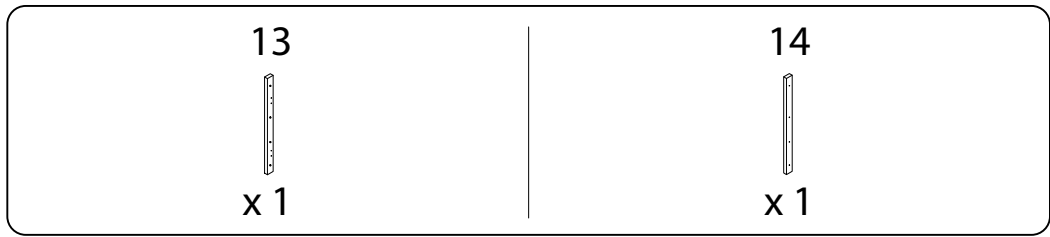
17



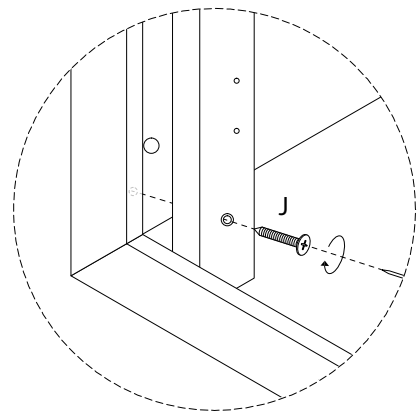
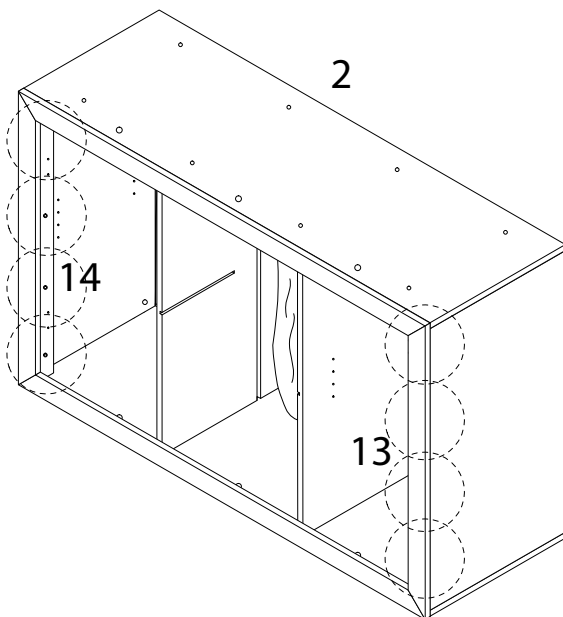
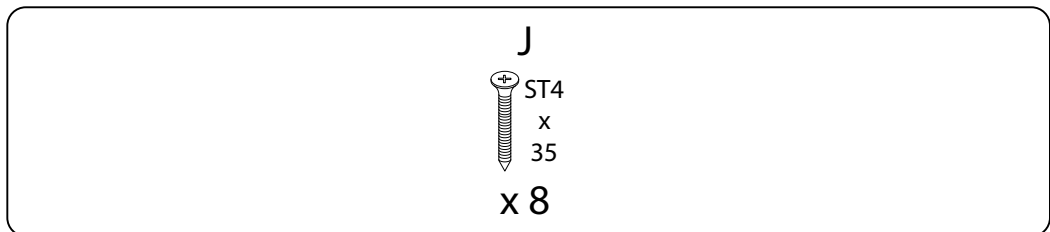
18



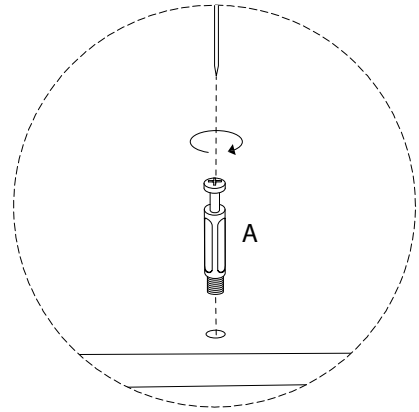
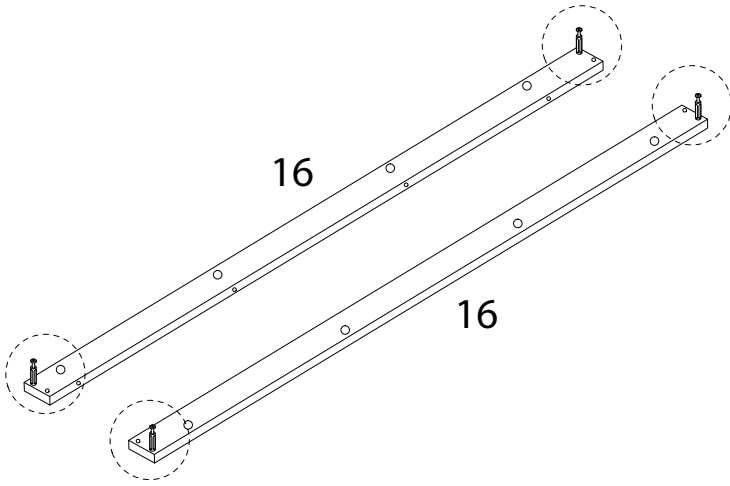
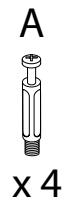
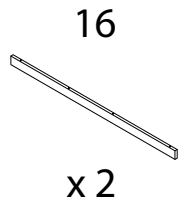
19



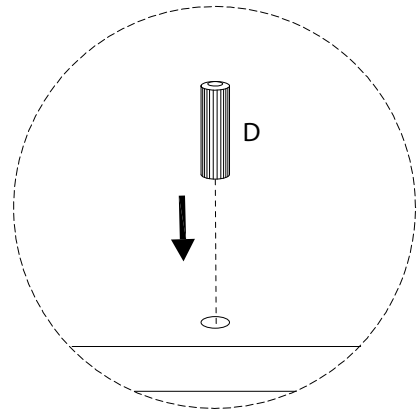
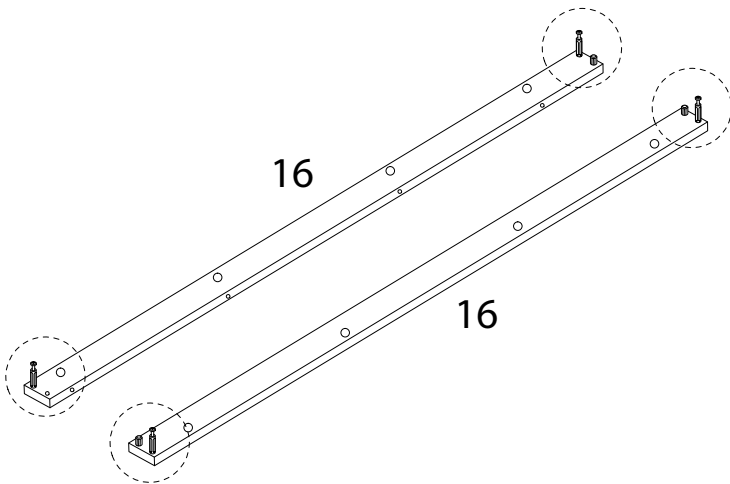
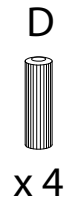
20



21



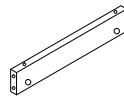
22



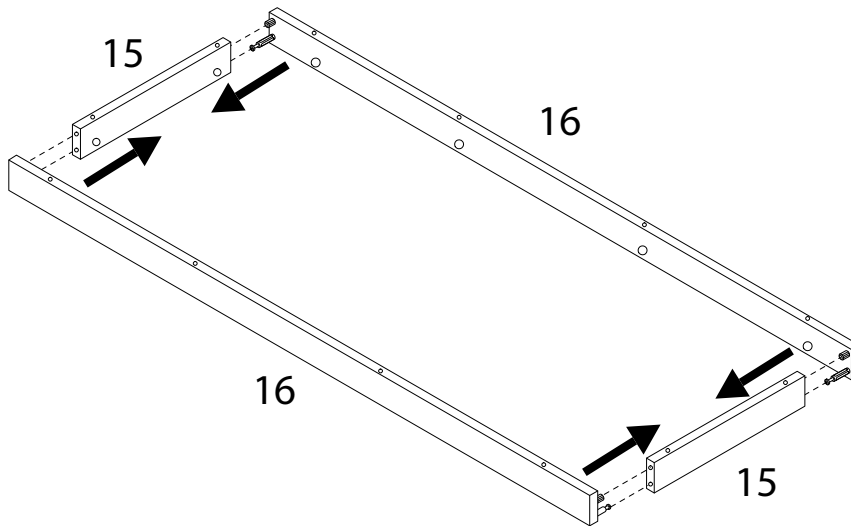


23

15



x 2

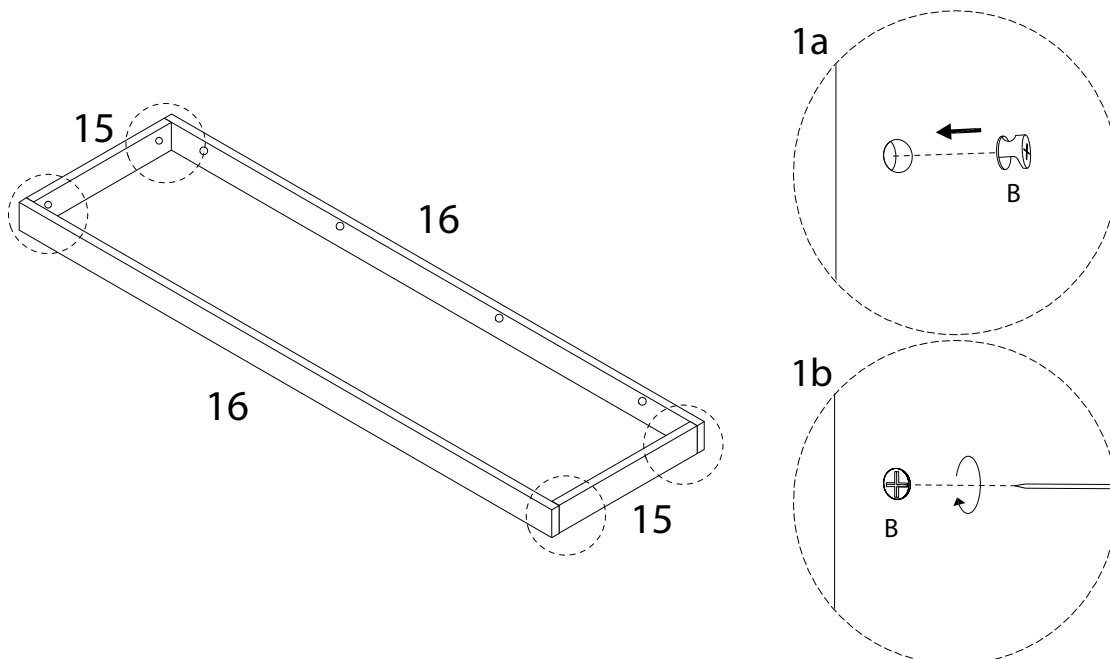


24

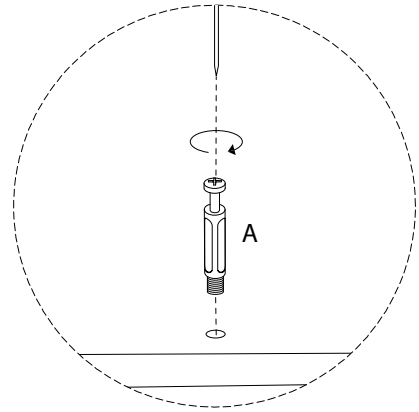
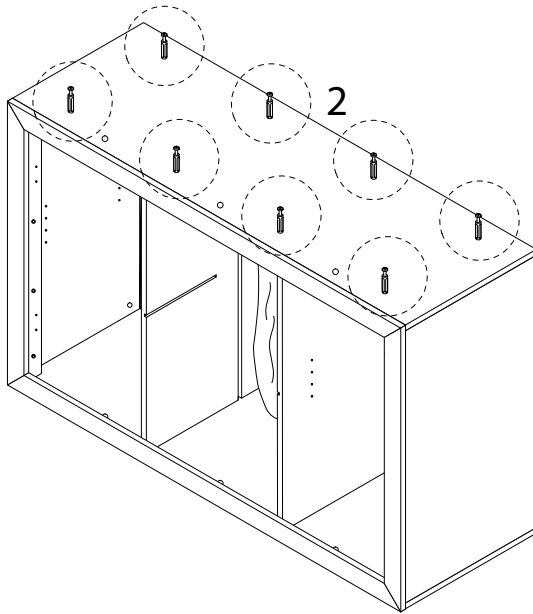
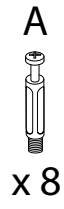
B



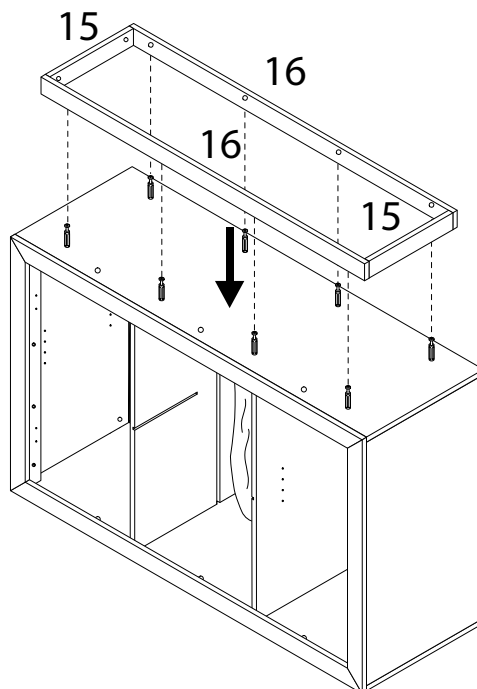
x 4



25



26

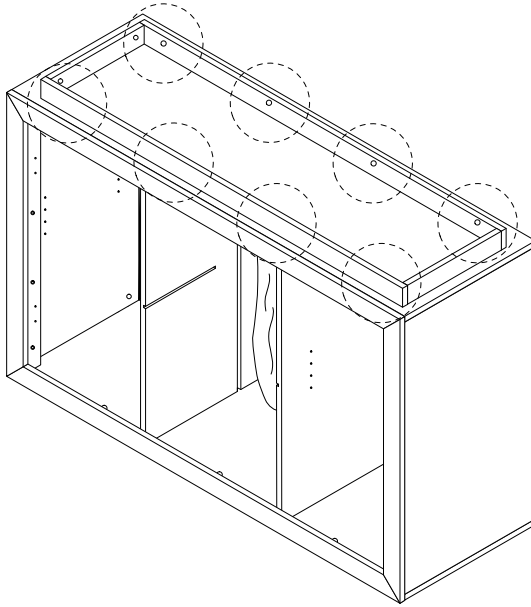


27

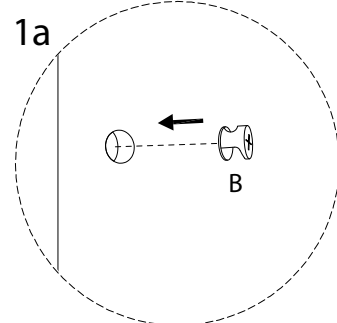
B



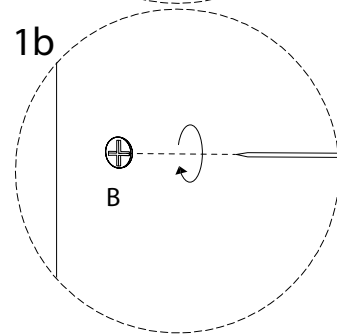
x 8



1a

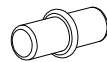


1b

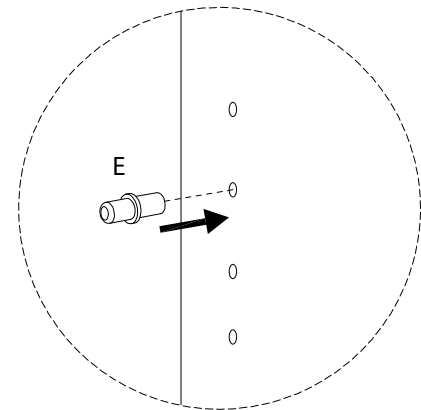
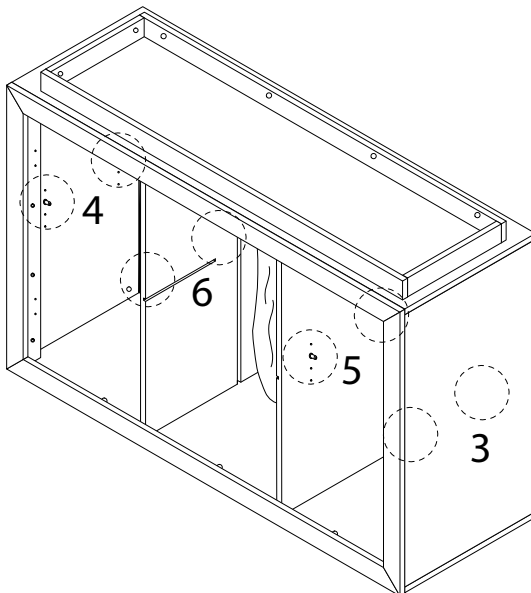


28

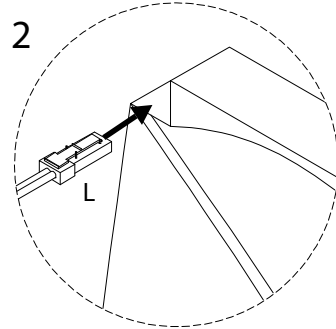
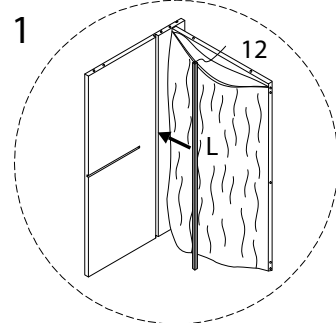
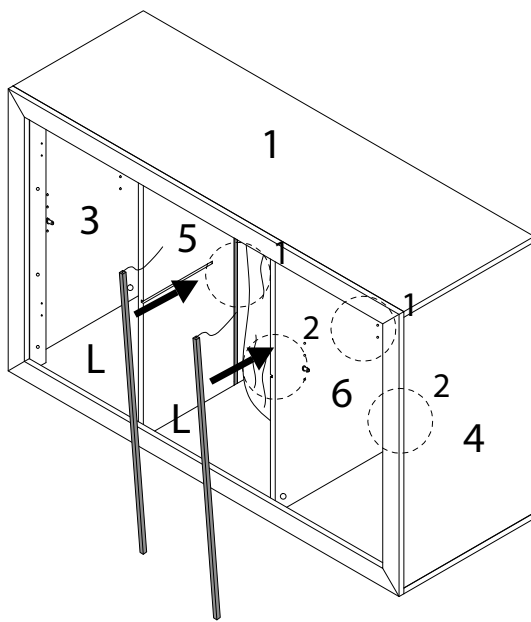
E



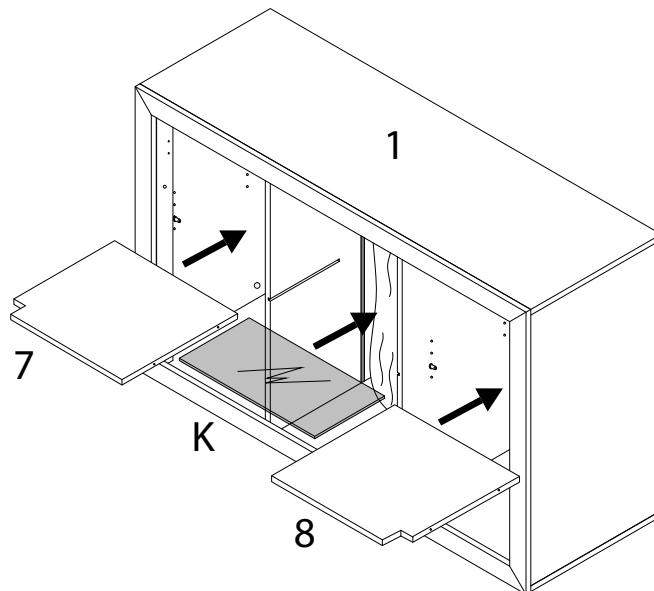
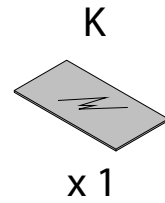
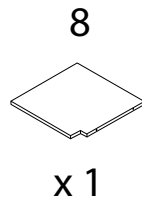
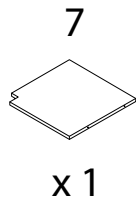
x 8



29



30



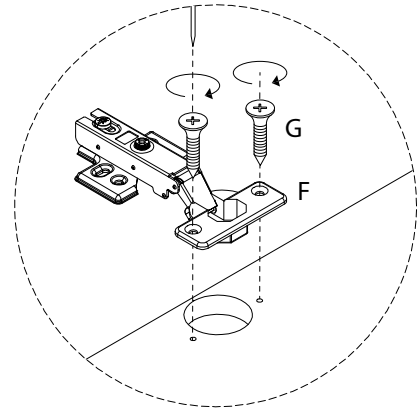
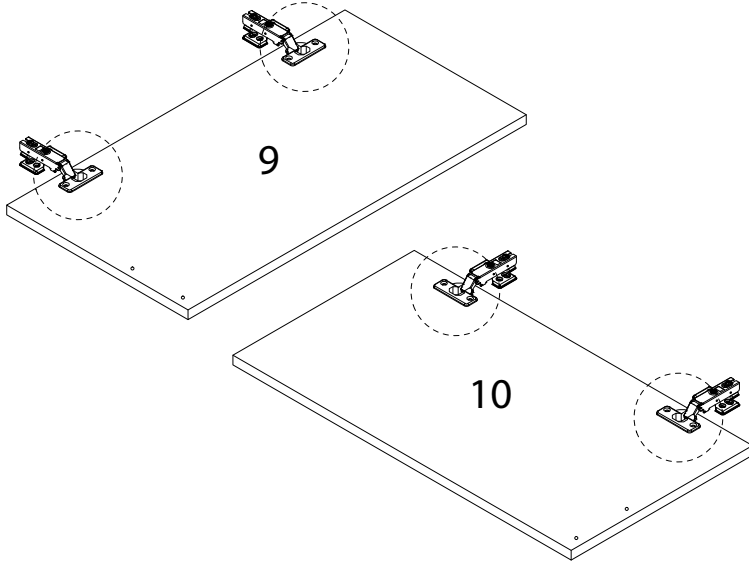
31

9  
x 1

10  
x 1

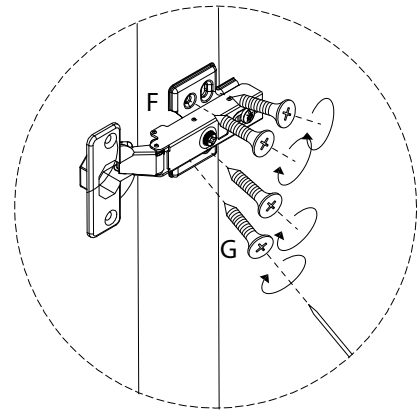
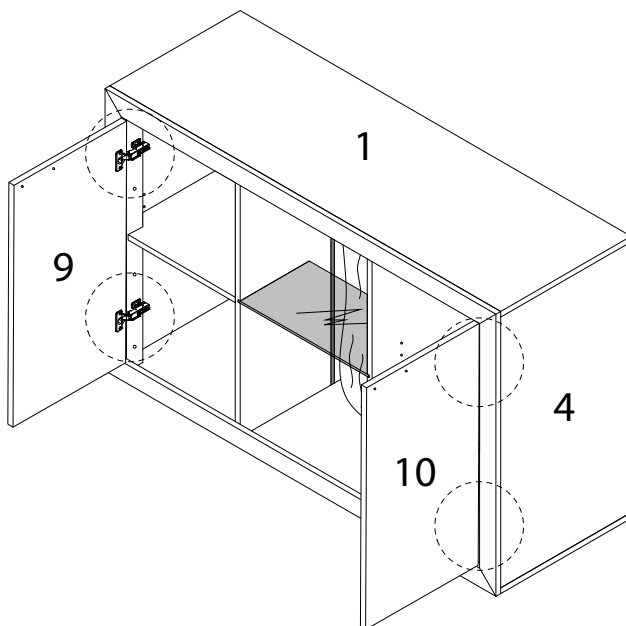
F  
x 4

G  
ST4  
x  
16  
x 8



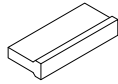
32

G  
ST4  
x  
16  
x 16



33

H

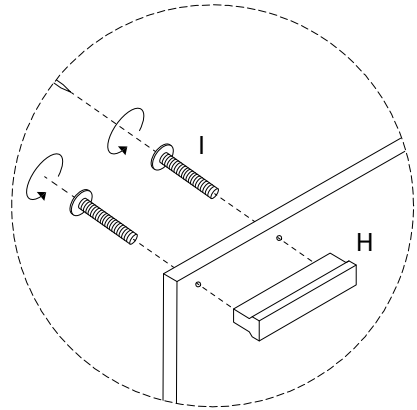
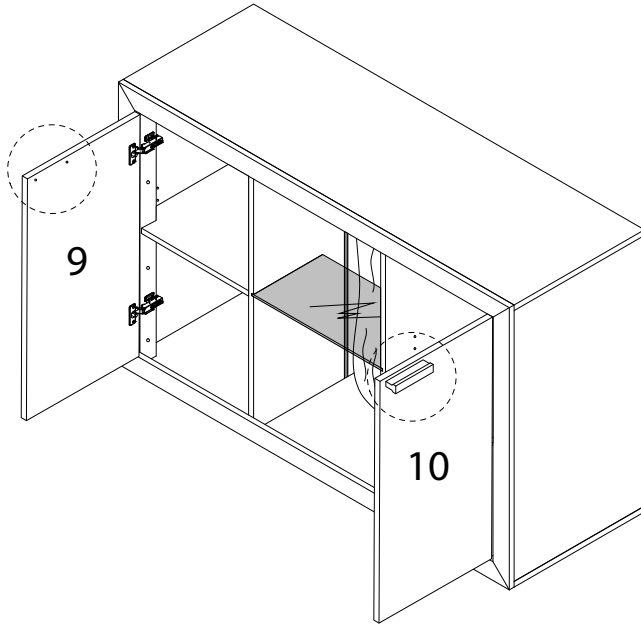


x 2

I



x 4



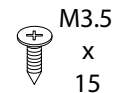
34

T1

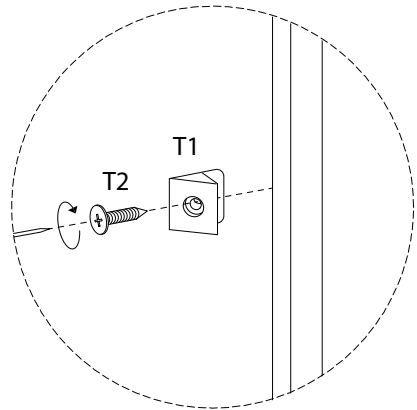
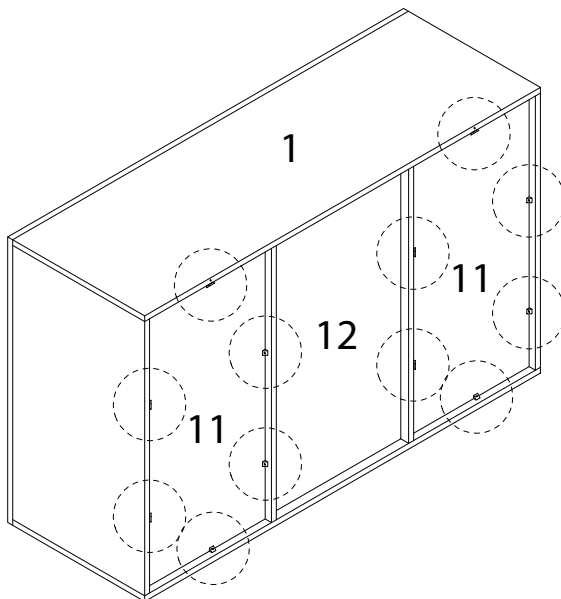


x 12

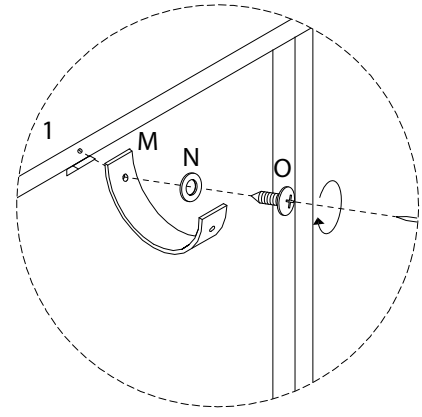
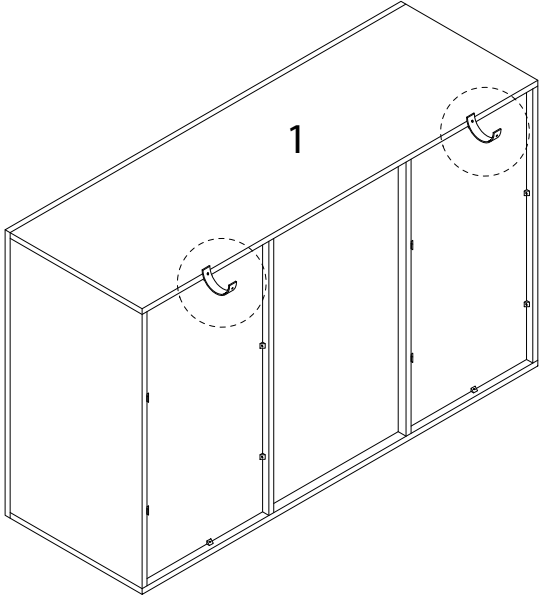
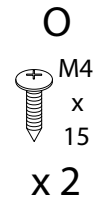
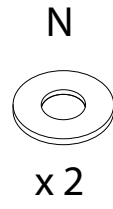
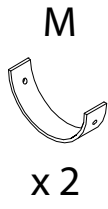
T2



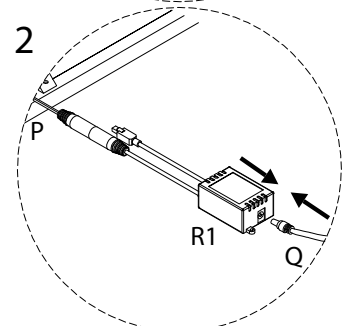
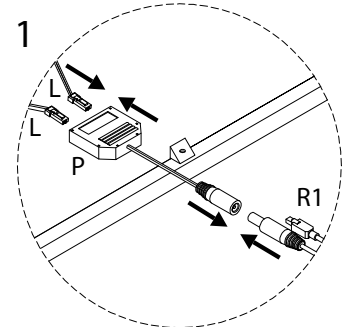
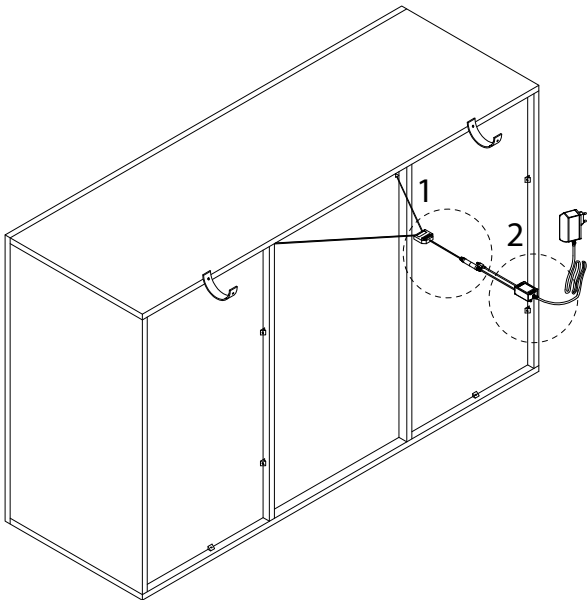
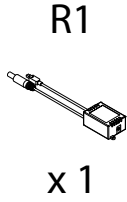
x 12



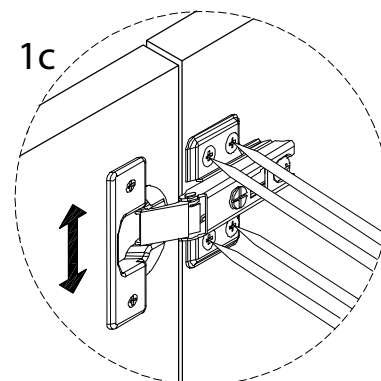
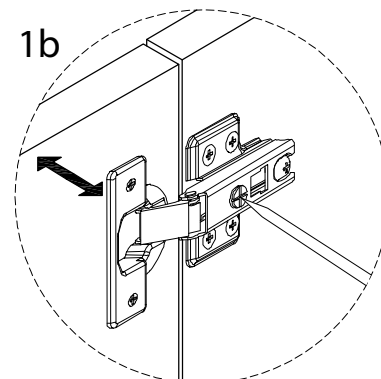
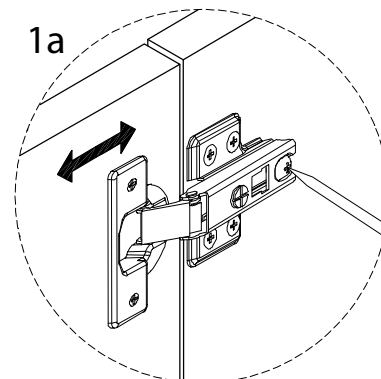
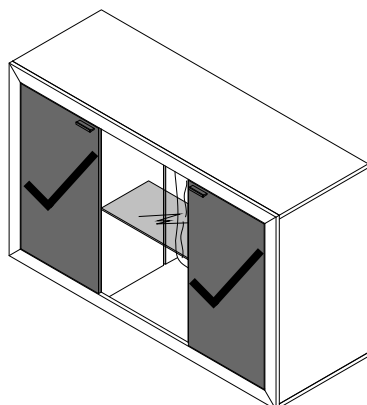
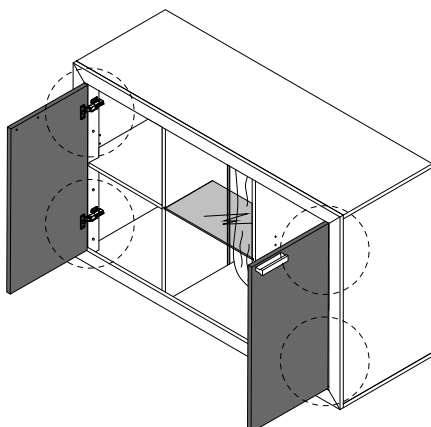
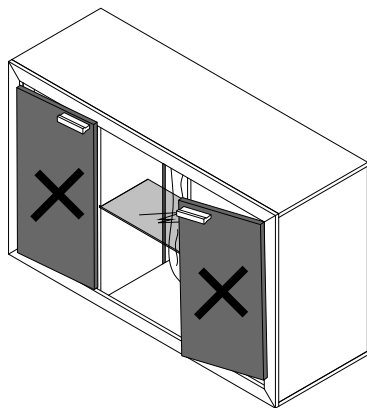
35



36



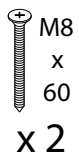
37





38

S1



S2

