
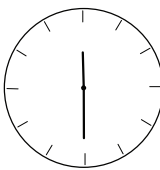



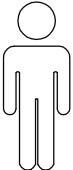
VANCOUVER



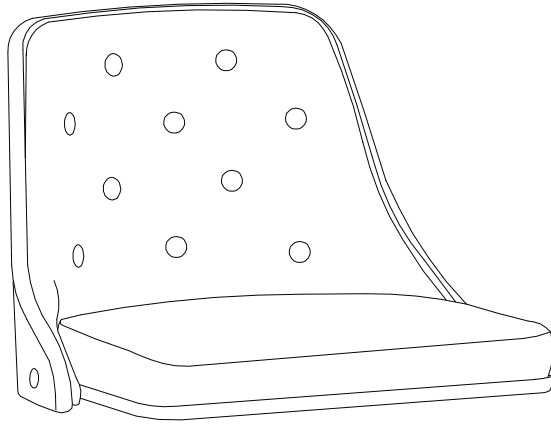


Assembly instructions for the stool, including safety warnings and icons for tools and time.

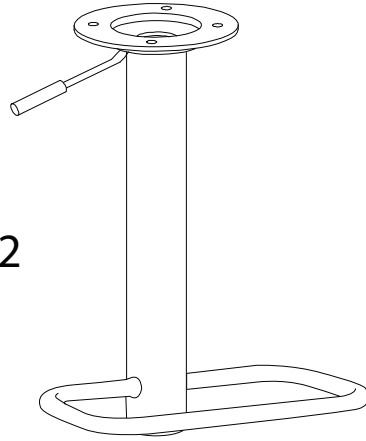
Warning 1: Do not use a power drill. Use an Allen key (shown in a circle) to tighten the seat.   30'

Warning 2: Do not place the stool on an uneven surface. Place it on a flat surface (shown in a circle).   1

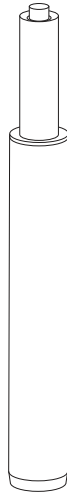
1



2



4



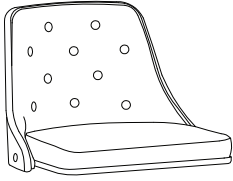
5



3

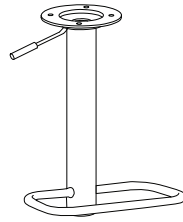


1



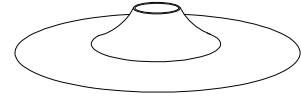
x 1

2



x 1

3



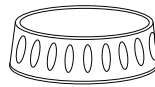
x 1

4



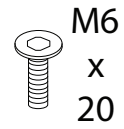
x 1

5



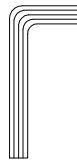
x 1

6



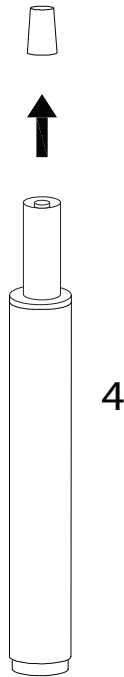
x 4

7

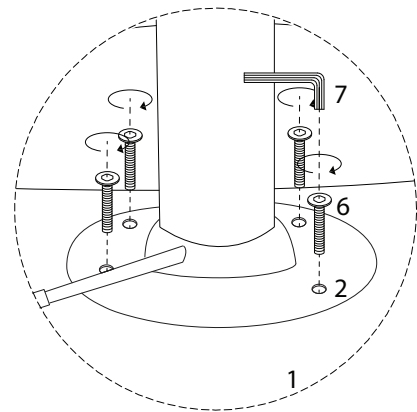
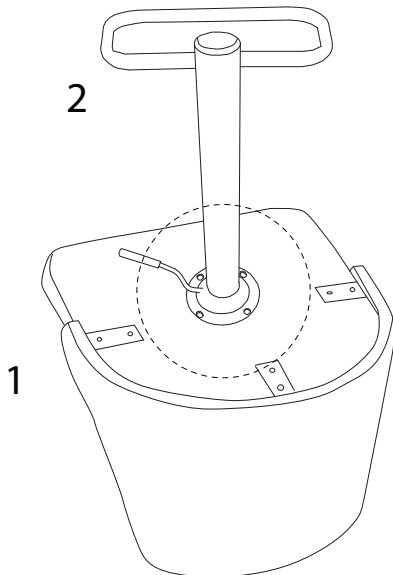
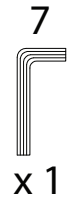
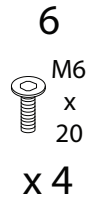
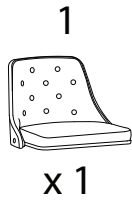


x 1

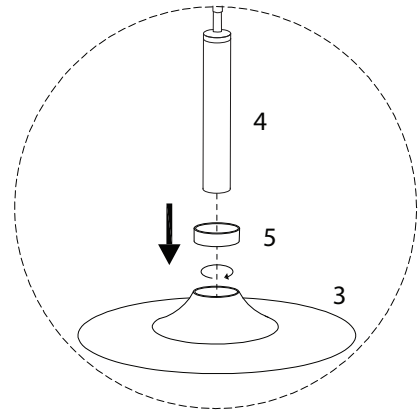
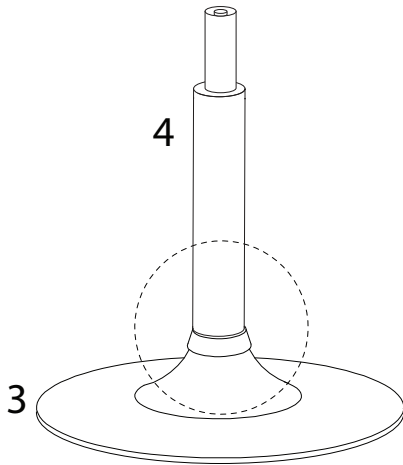
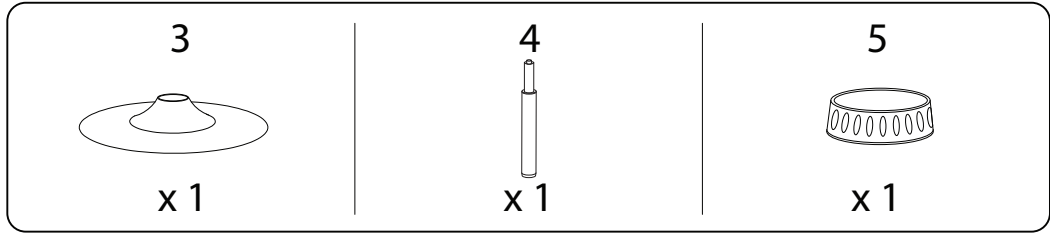
!



1



2



3

