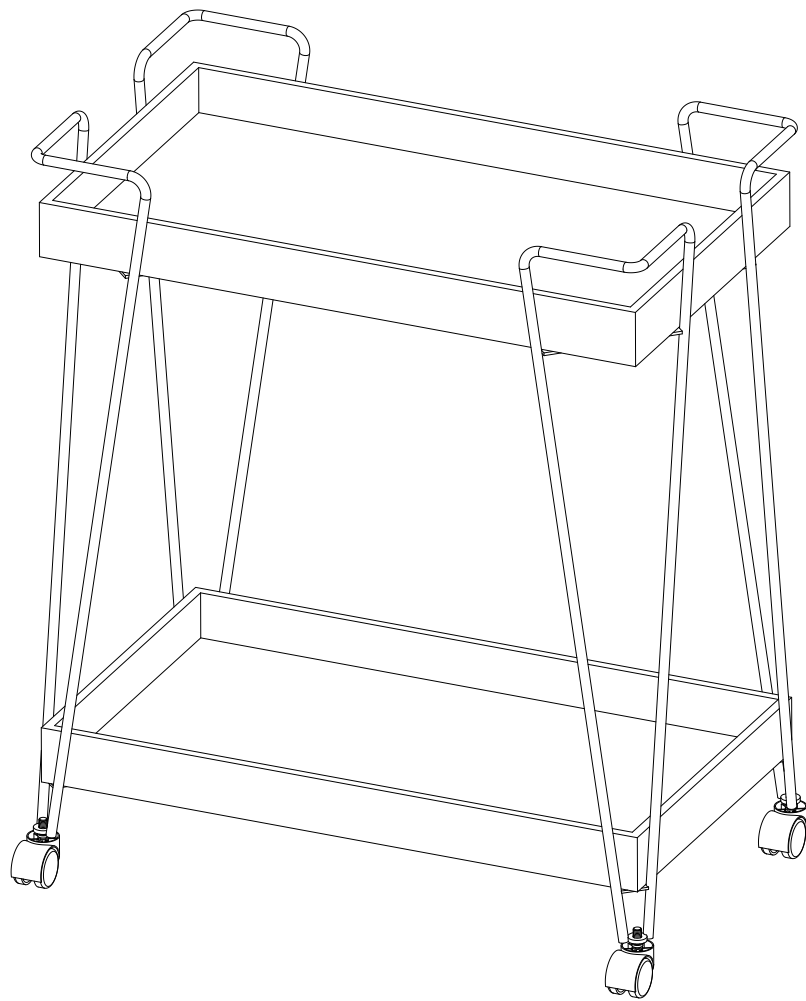
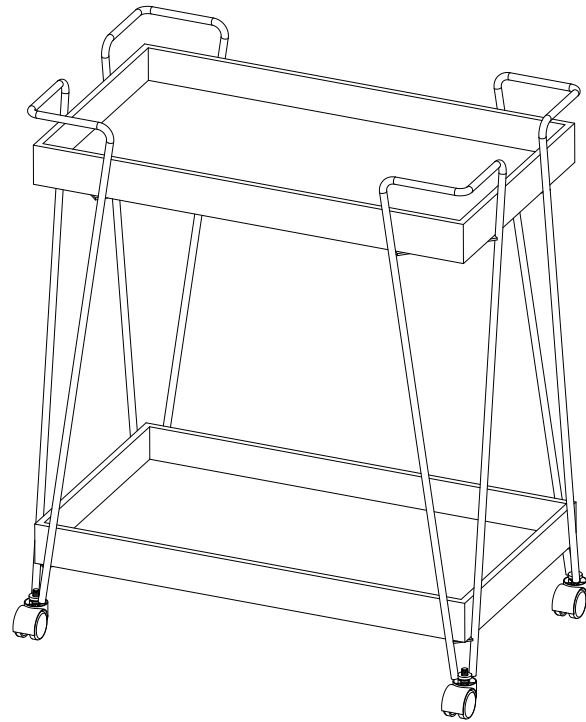


BALME

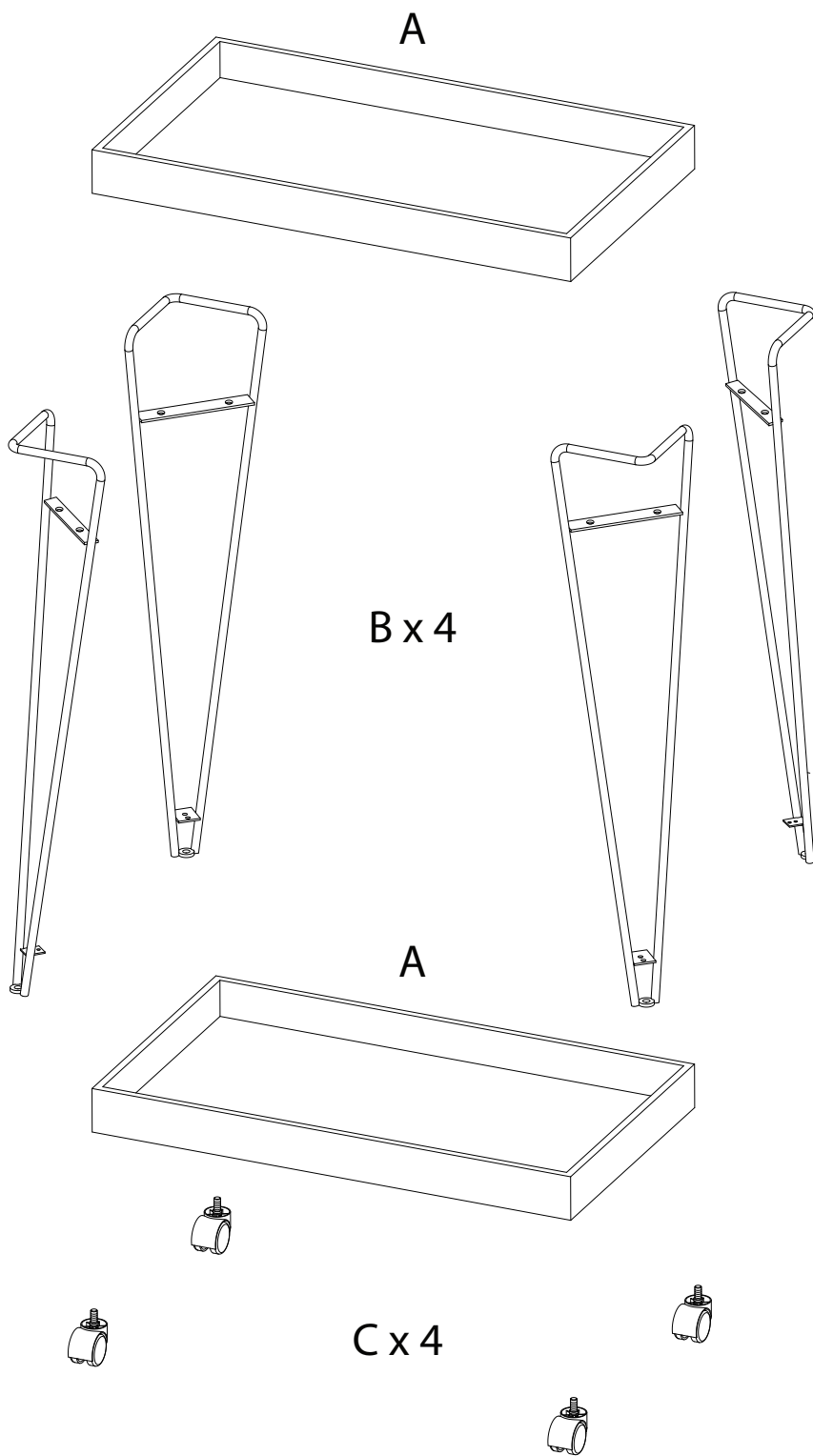


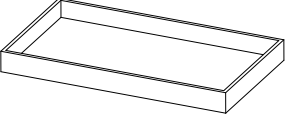

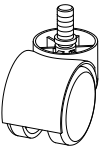
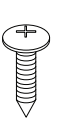


Assembly instructions for step 1/4:

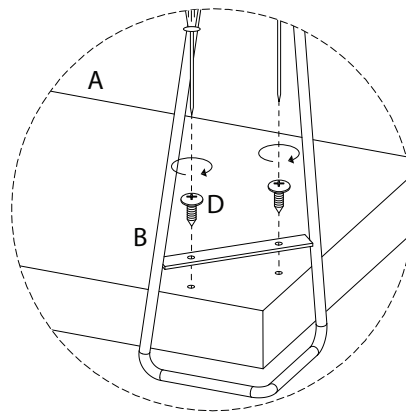
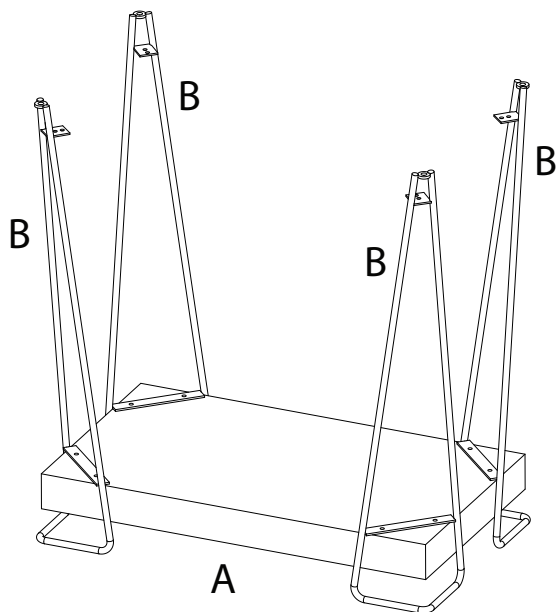
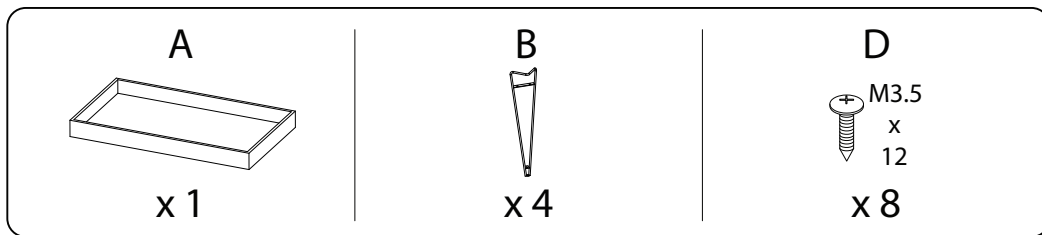
- Use a screwdriver, not a power drill. (Icon: screwdriver in a circle, power drill with a slash through it)
- Warning: Sharp edges. (Icon: triangle with exclamation mark)
- Estimated assembly time: 10 minutes. (Icon: clock)
- Number of people required: 2. (Icon: person)

1/4

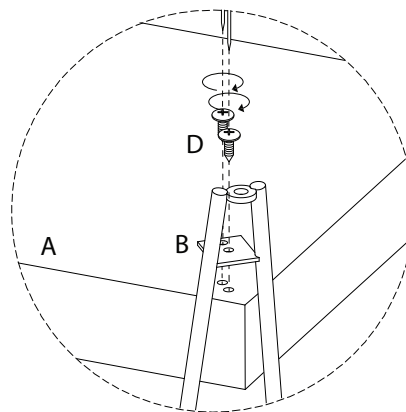
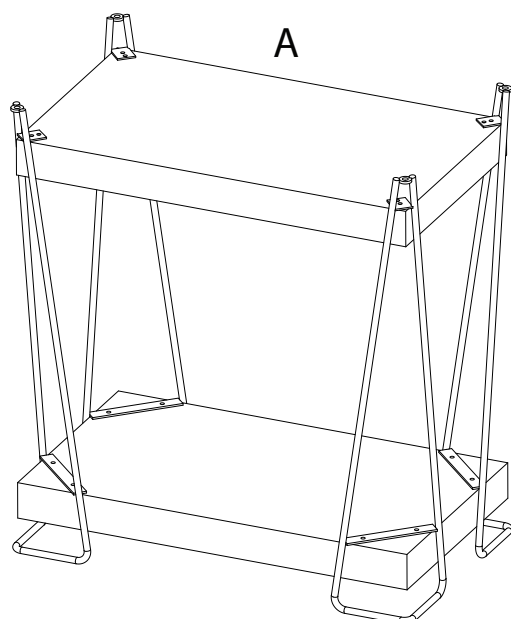
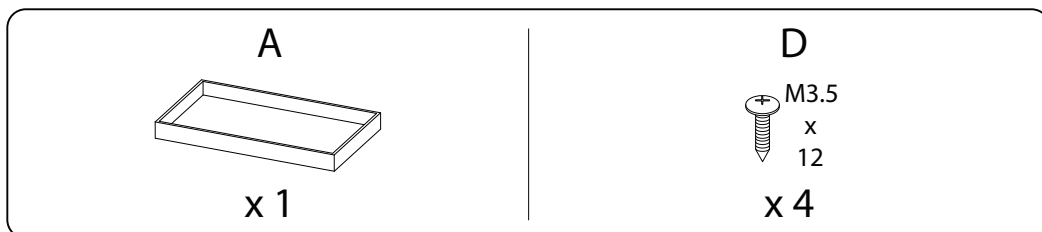


A	B	C	D
			 M3.5 x 12
x 2	x 4	x 4	x 12

1



2



3

C



x 4

A

