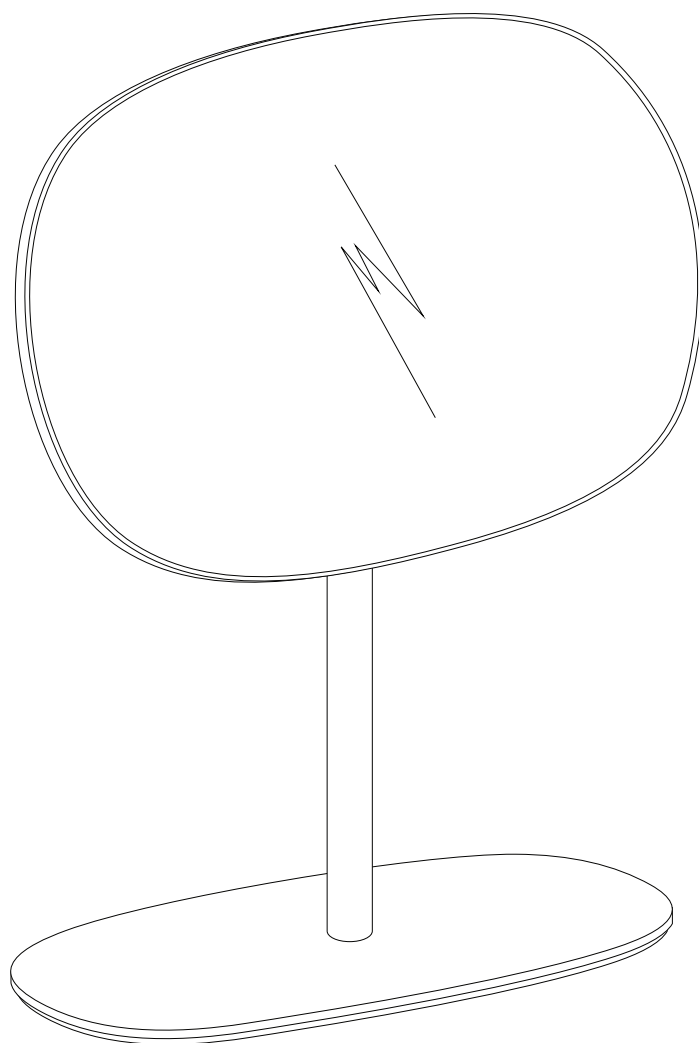
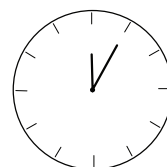
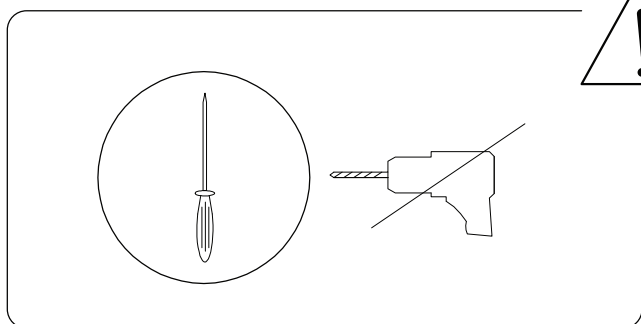
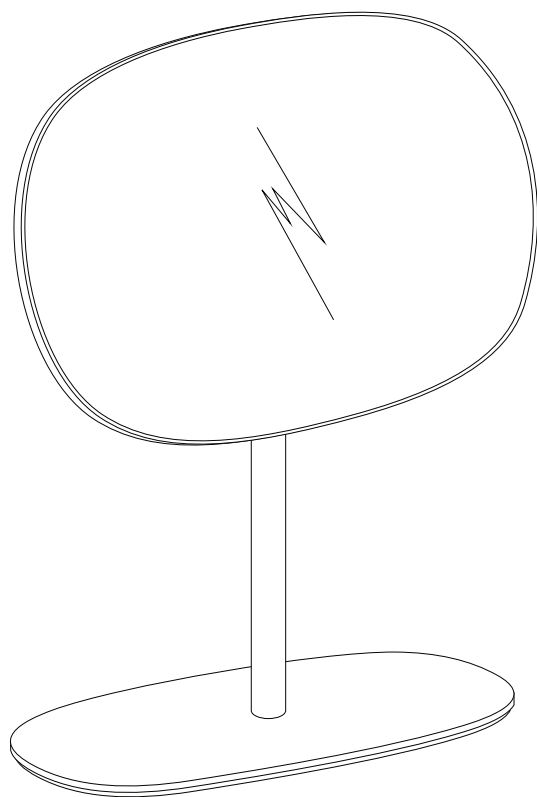
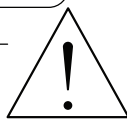
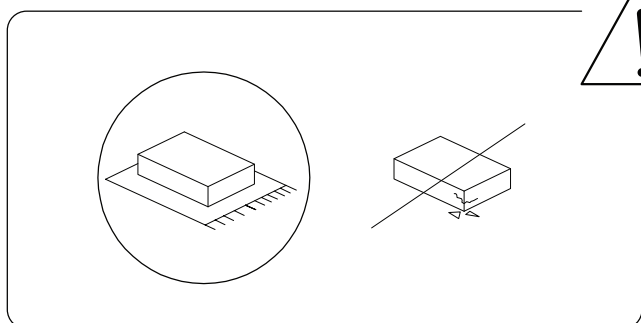


CHARENTE



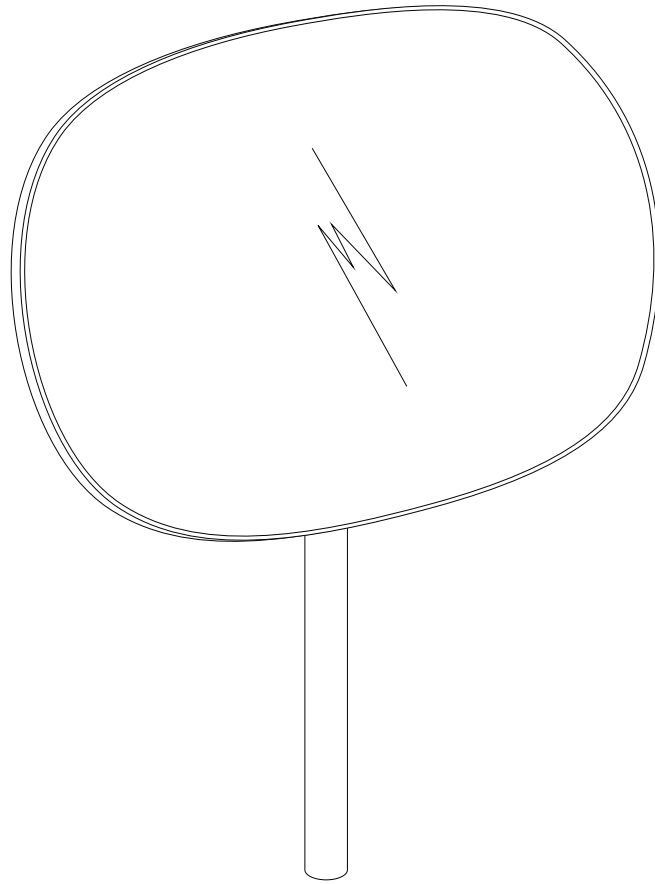


5'

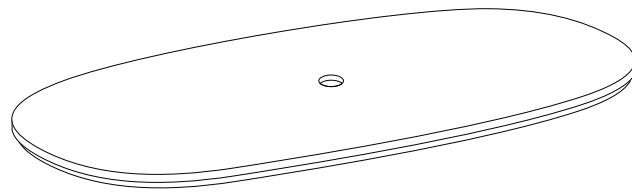


1

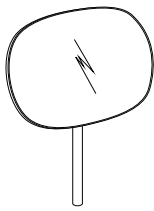
A



B

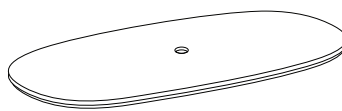


A



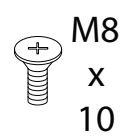
x 1

B



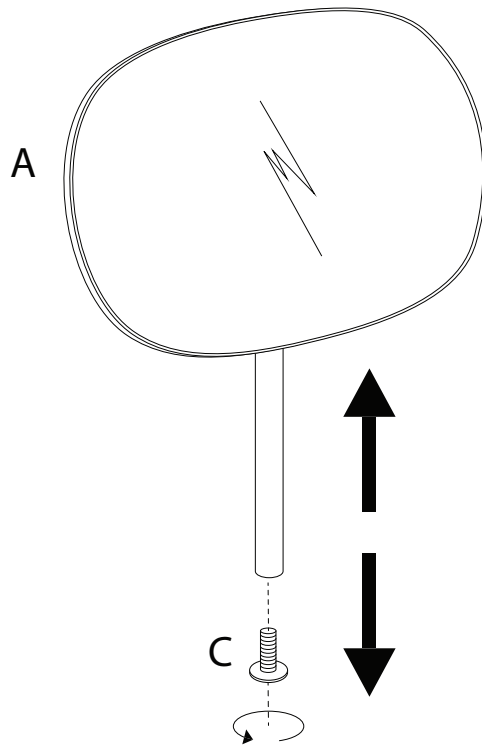
x 1

C



x 1

!



1

