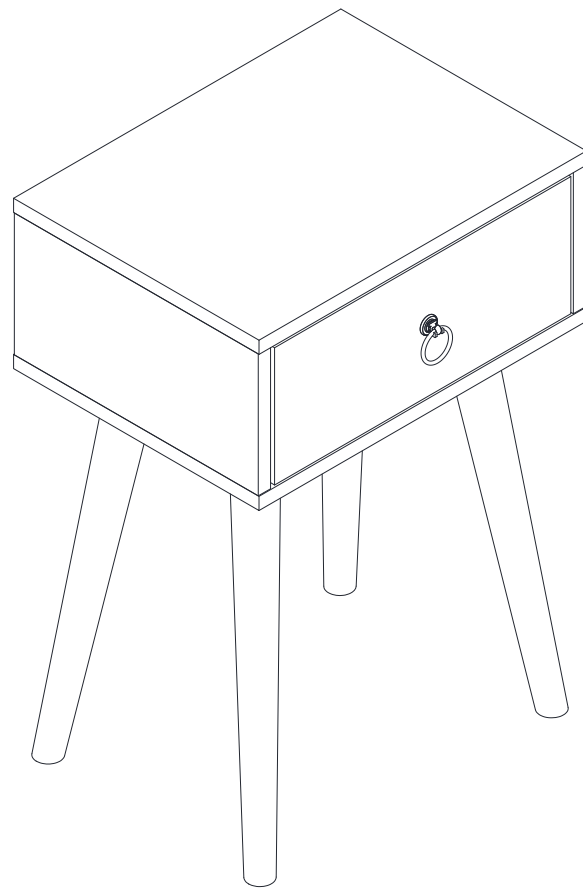
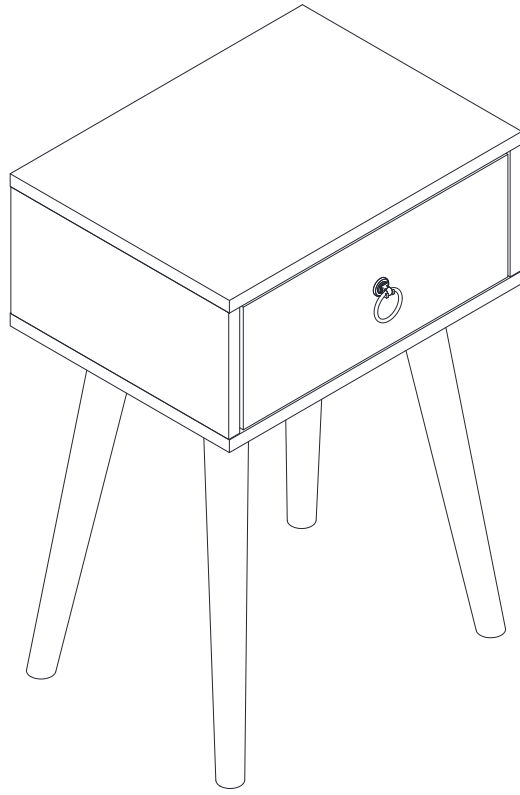


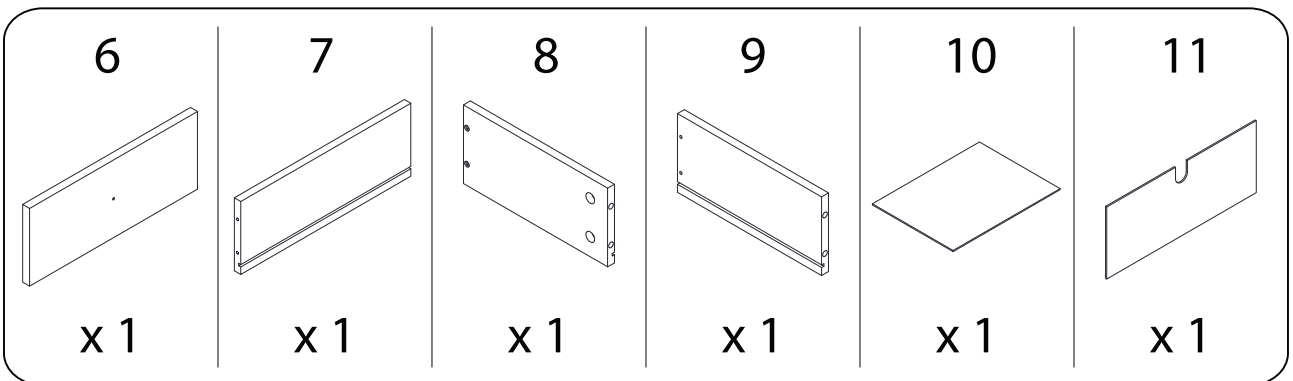
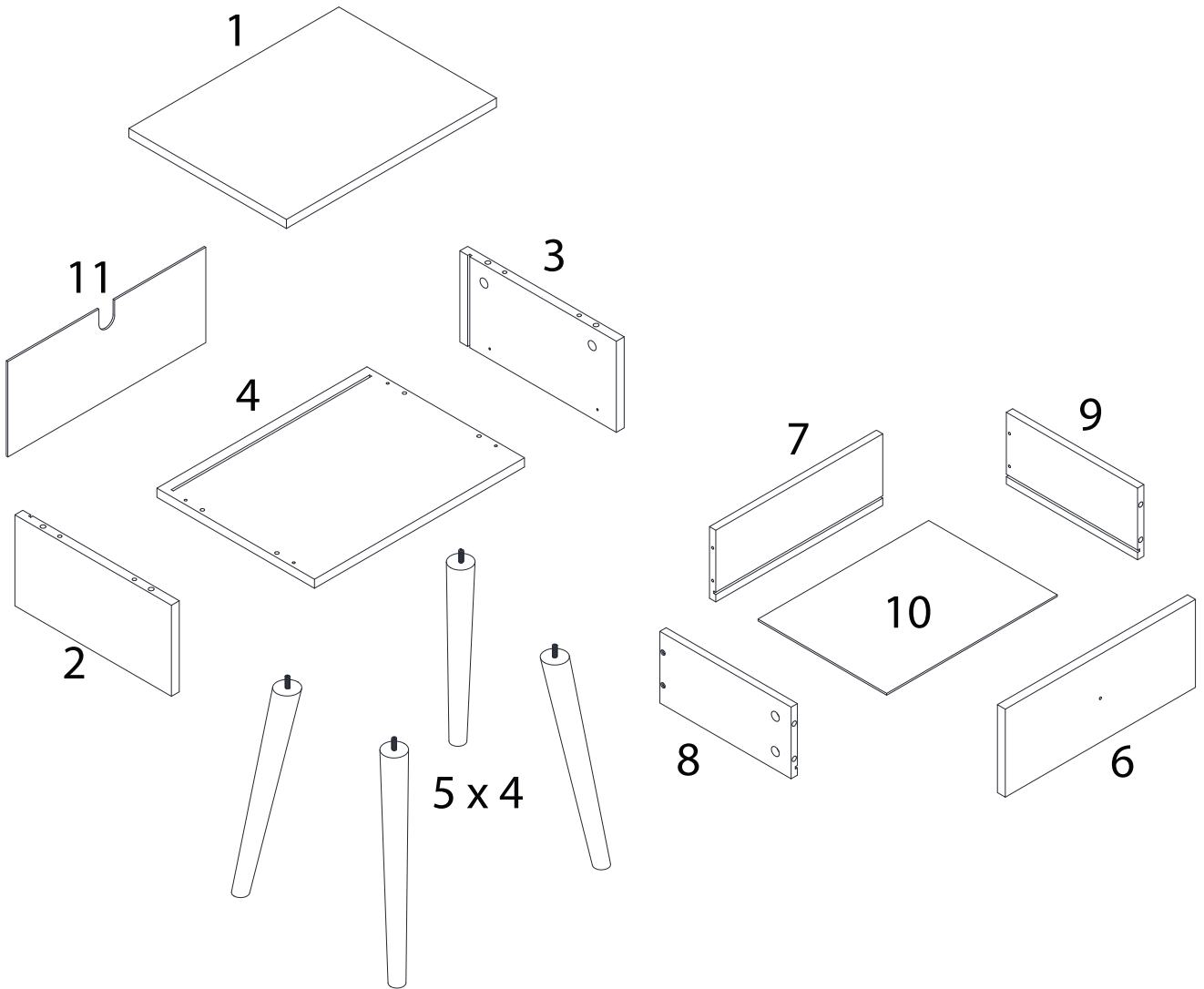
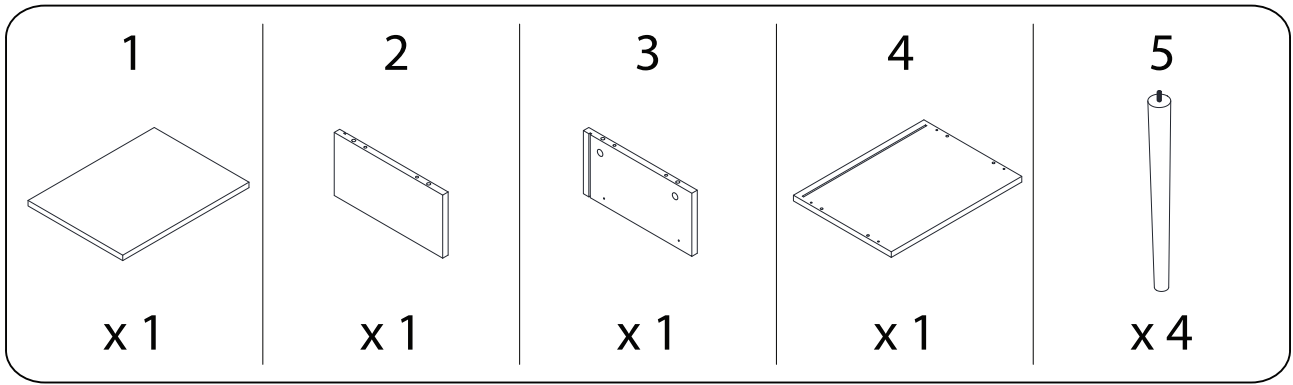
BATLEY



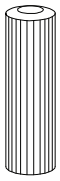


Assembly instructions for step 1/13:

- Tools:** A screwdriver is shown as the required tool. A power drill is shown with a diagonal line through it, indicating it is not to be used.
- Warning:** A warning triangle with an exclamation mark is positioned to the right of the tool icons.
- Time:** A clock icon indicates that this step takes 30 minutes.
- Personnel:** An icon of a person indicates that one person is required for this step.



A



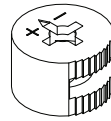
x 8

B



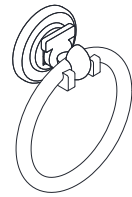
x 8

C



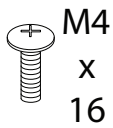
x 8

D1



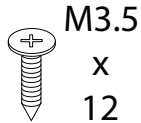
x 1

D2



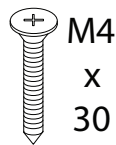
x 1

E



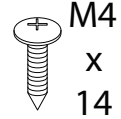
x 8

F



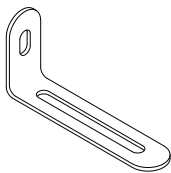
x 8

H



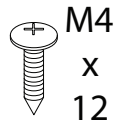
x 20

I1



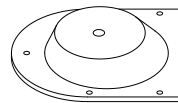
x 1

I2



x 1

J



x 4

K



x 4

L1



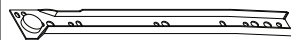
x 1

L2



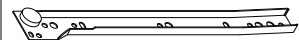
x 1

CL



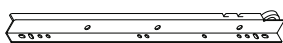
x 1

CR



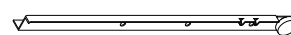
x 1

DL



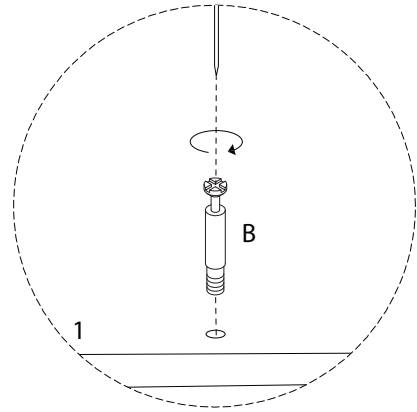
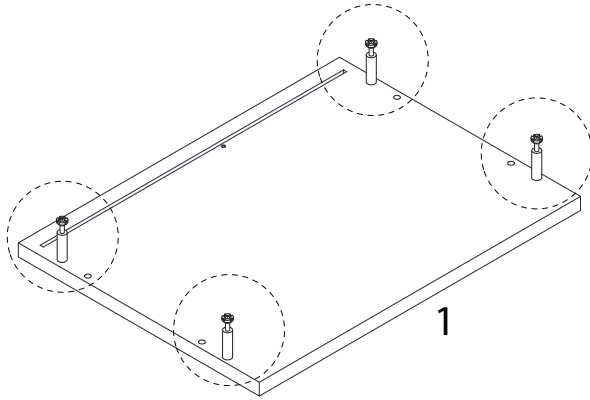
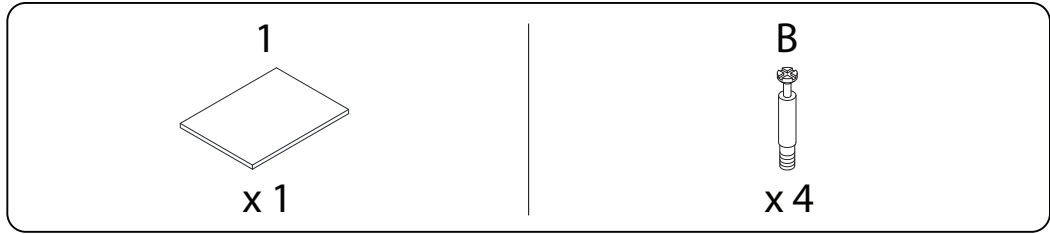
x 1

DR

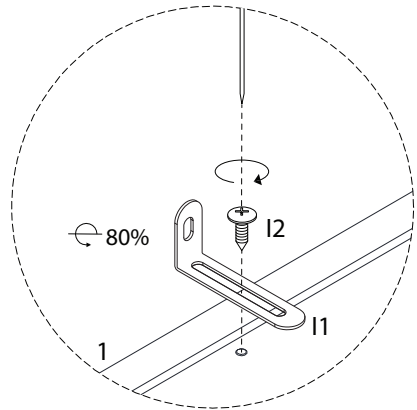
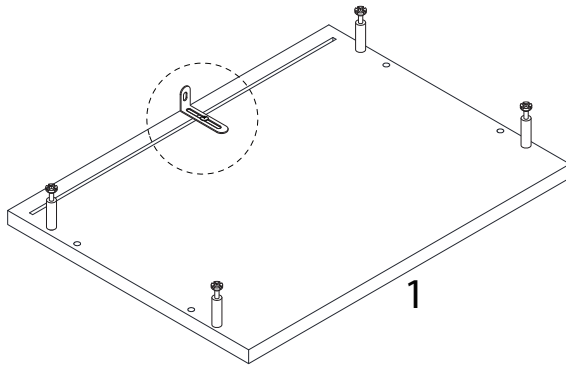
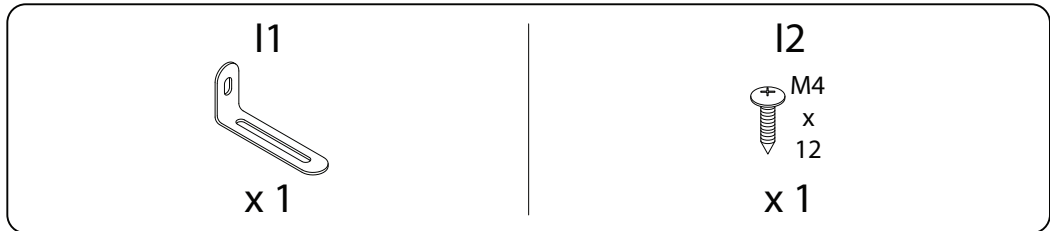


x 1

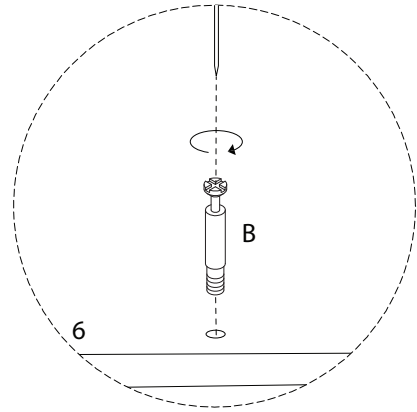
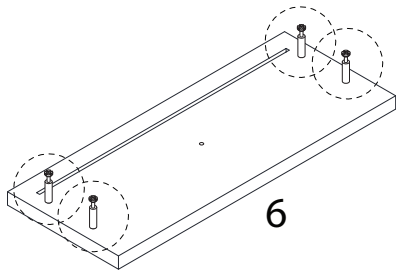
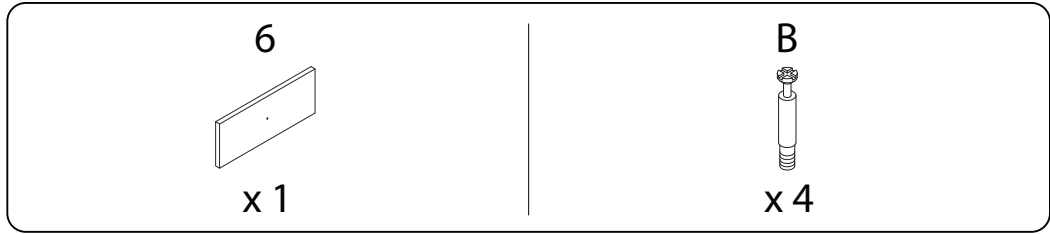
1



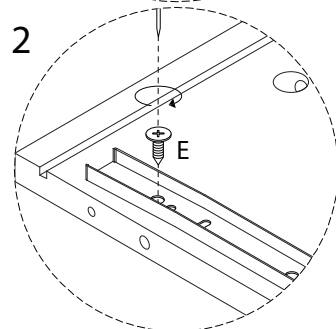
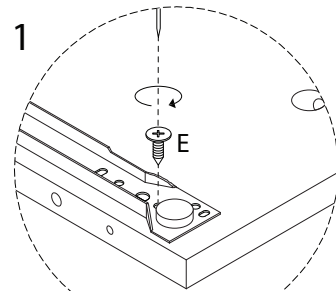
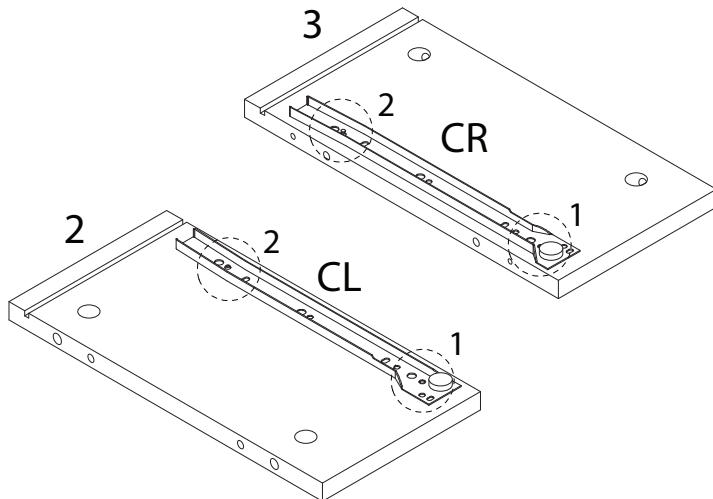
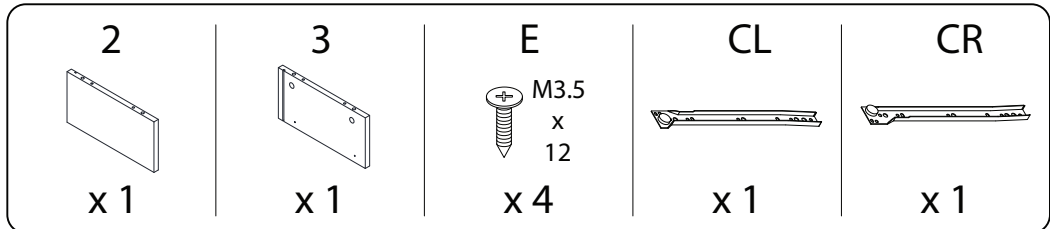
2



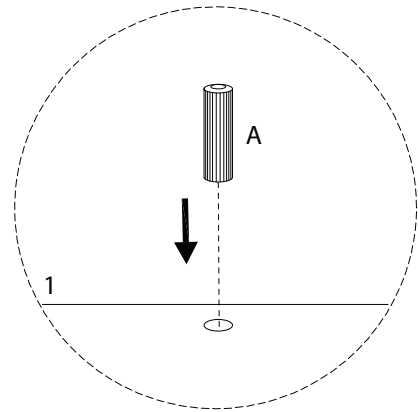
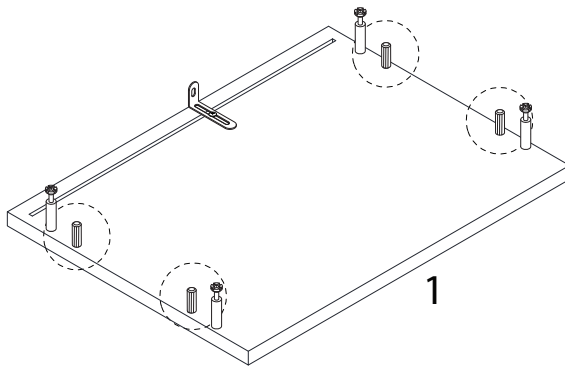
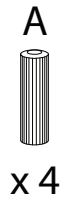
3



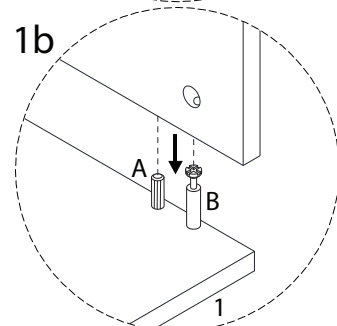
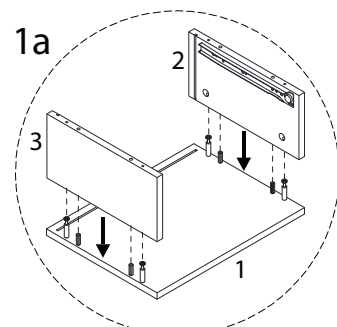
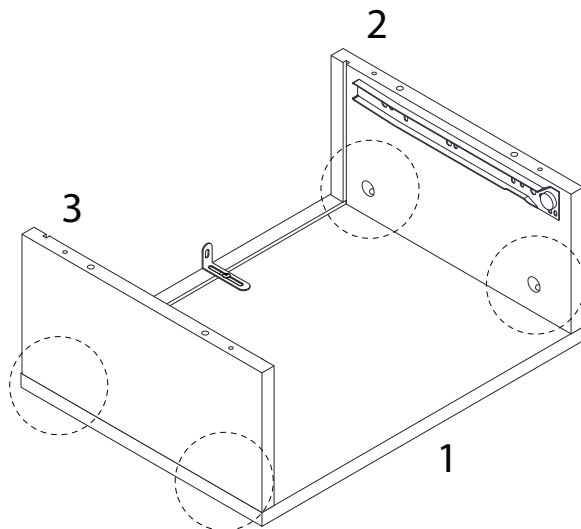
4



5



6

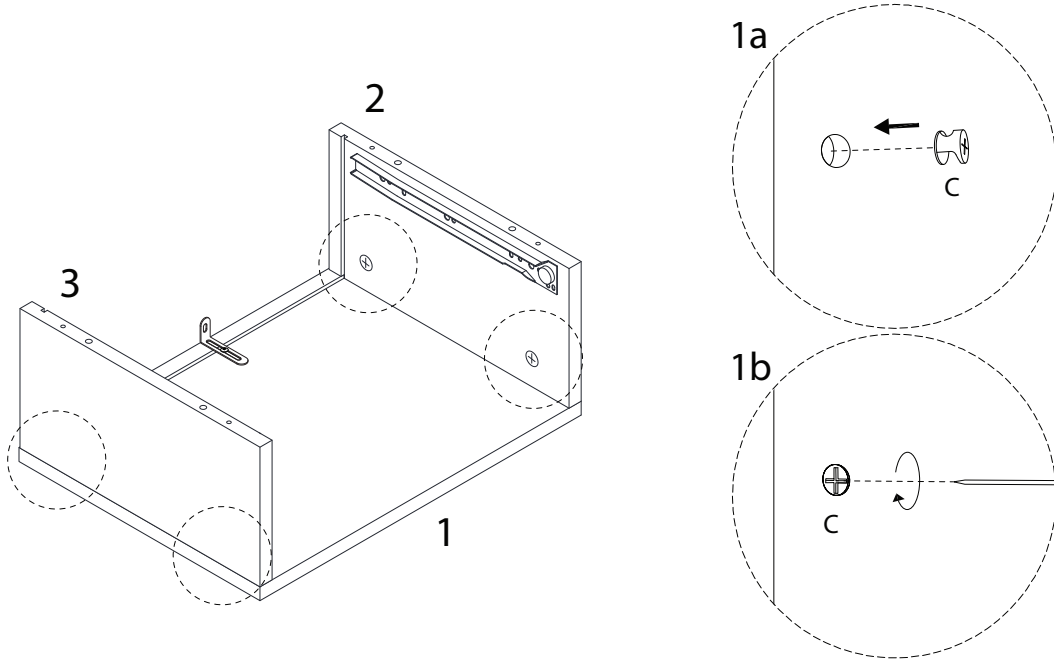


7

C

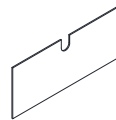


x 4

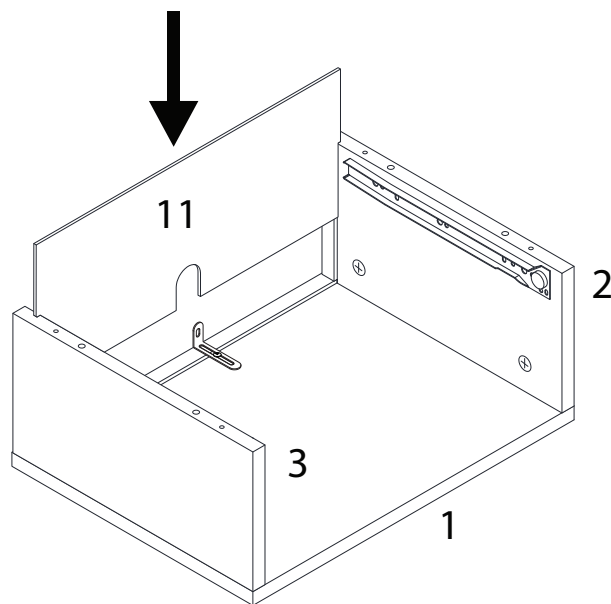


8

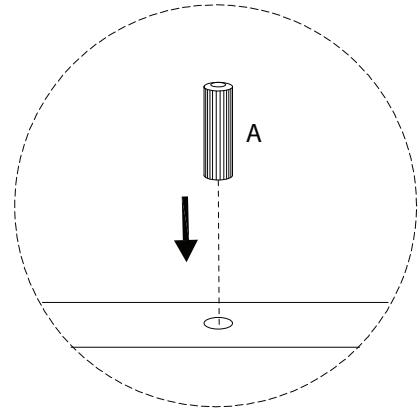
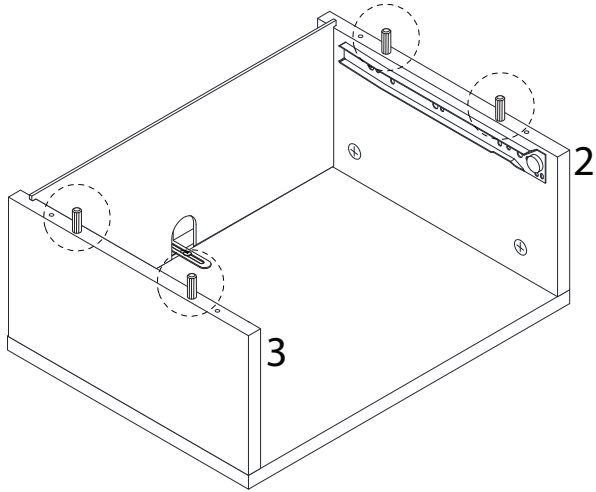
11



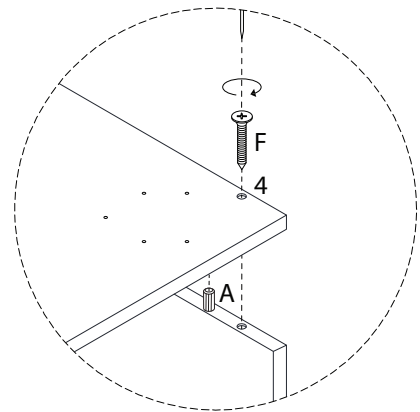
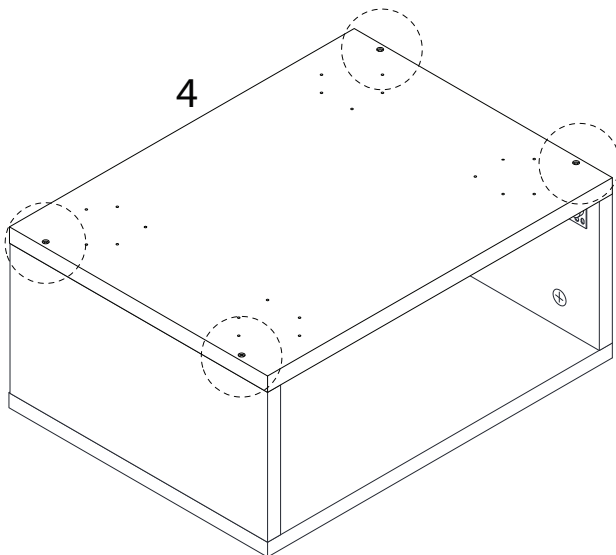
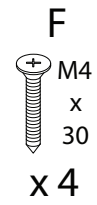
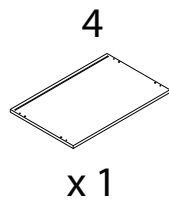
x 1



9

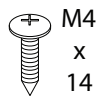


10



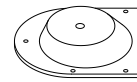
11

H

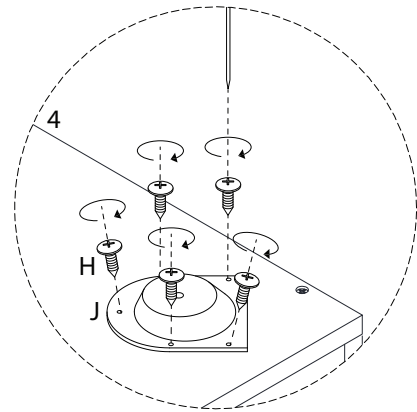
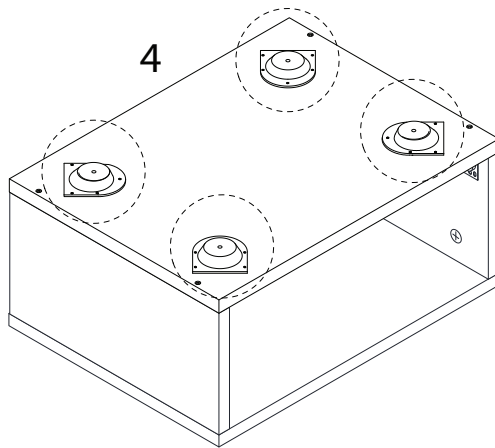


x 20

J



x 4

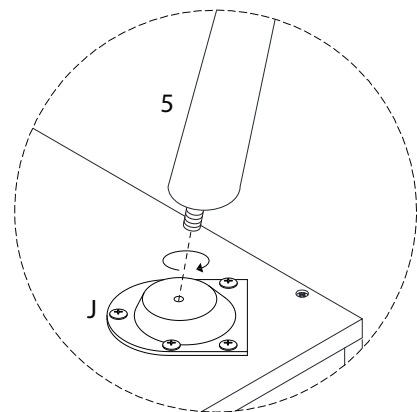
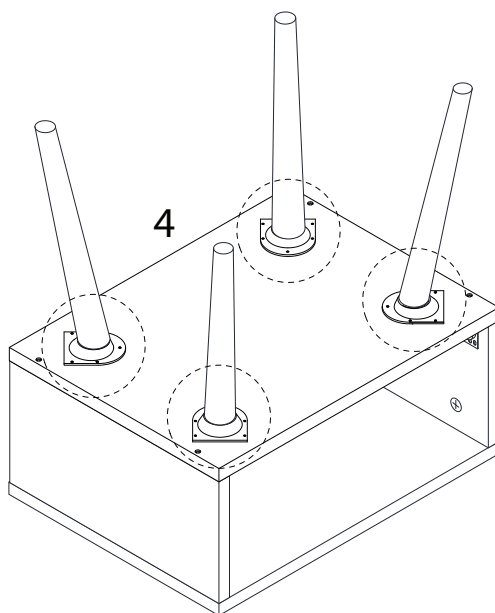


12

5



x 4

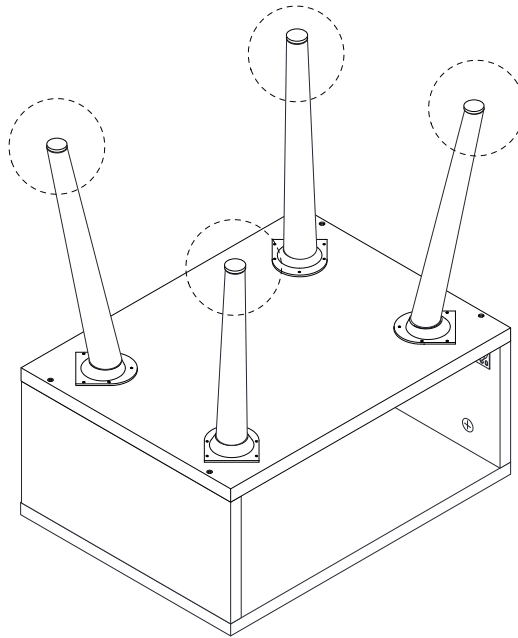


13

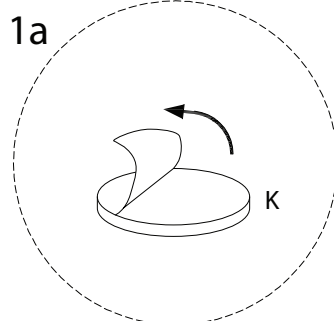
K



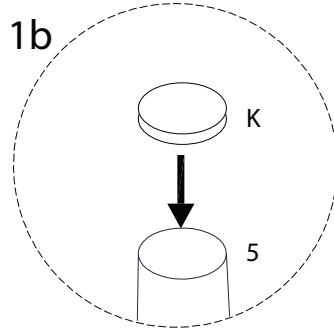
x 4



1a

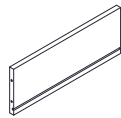


1b



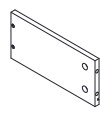
14

7



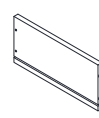
x 1

8



x 1

9

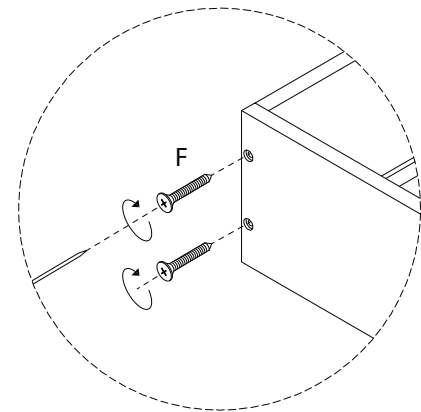
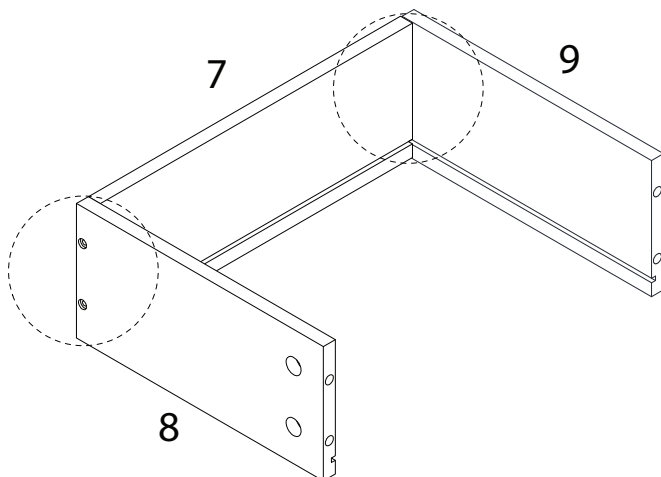


x 1

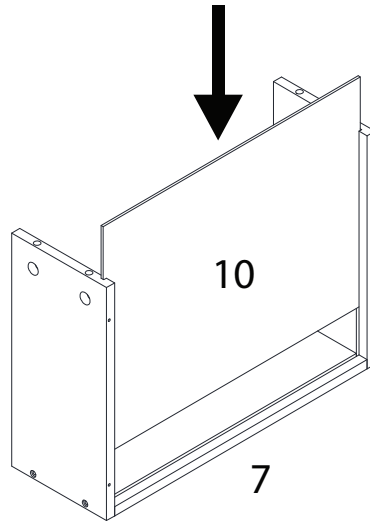
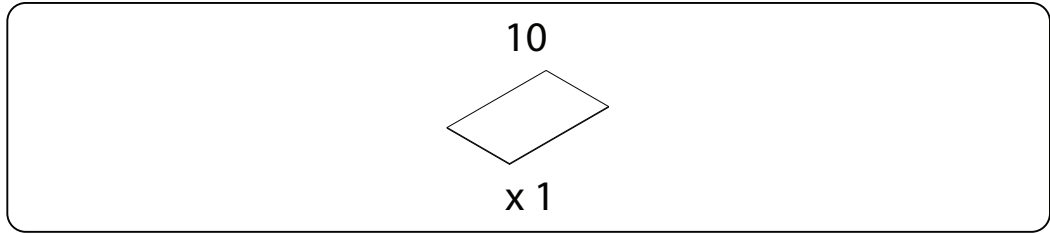
F



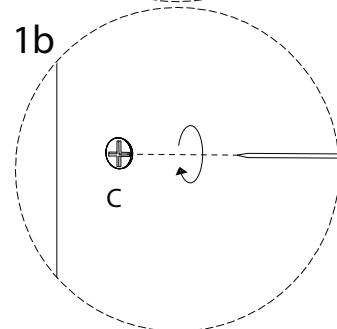
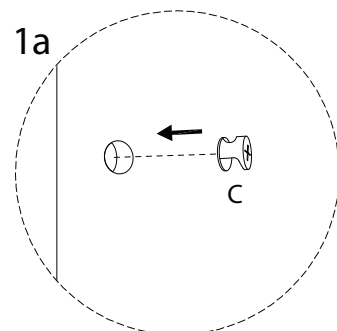
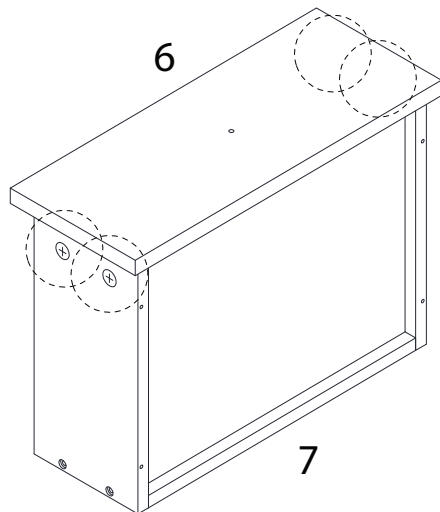
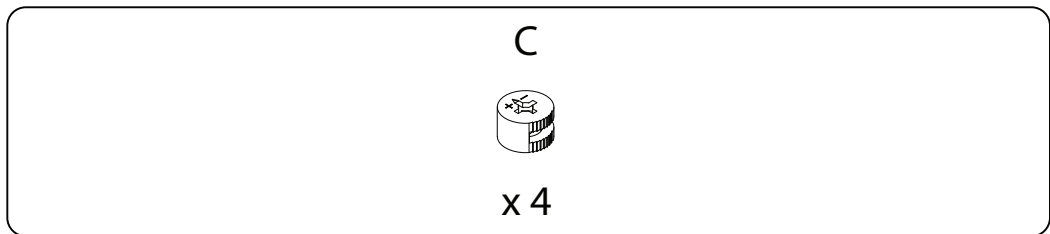
x 4



15



16



17

D1

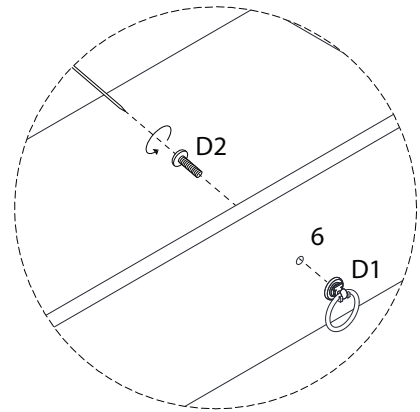
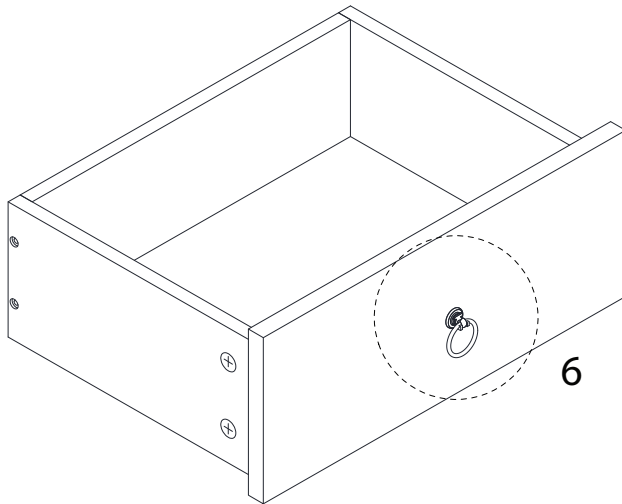


x 1

D2

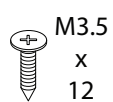


x 1



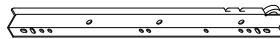
18

E



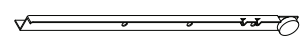
x 4

DL

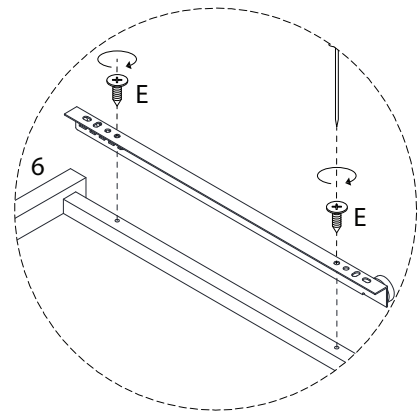
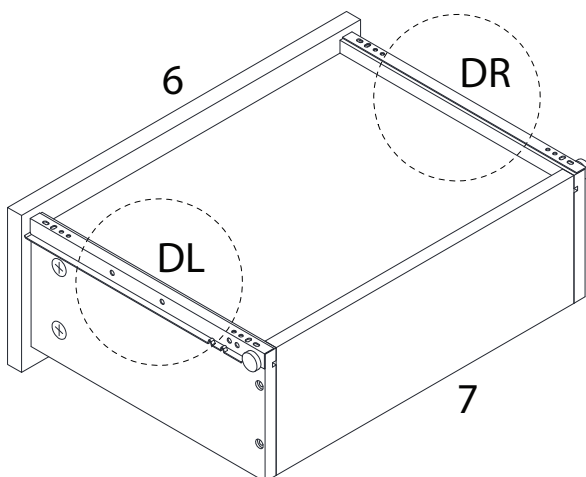


x 1

DR



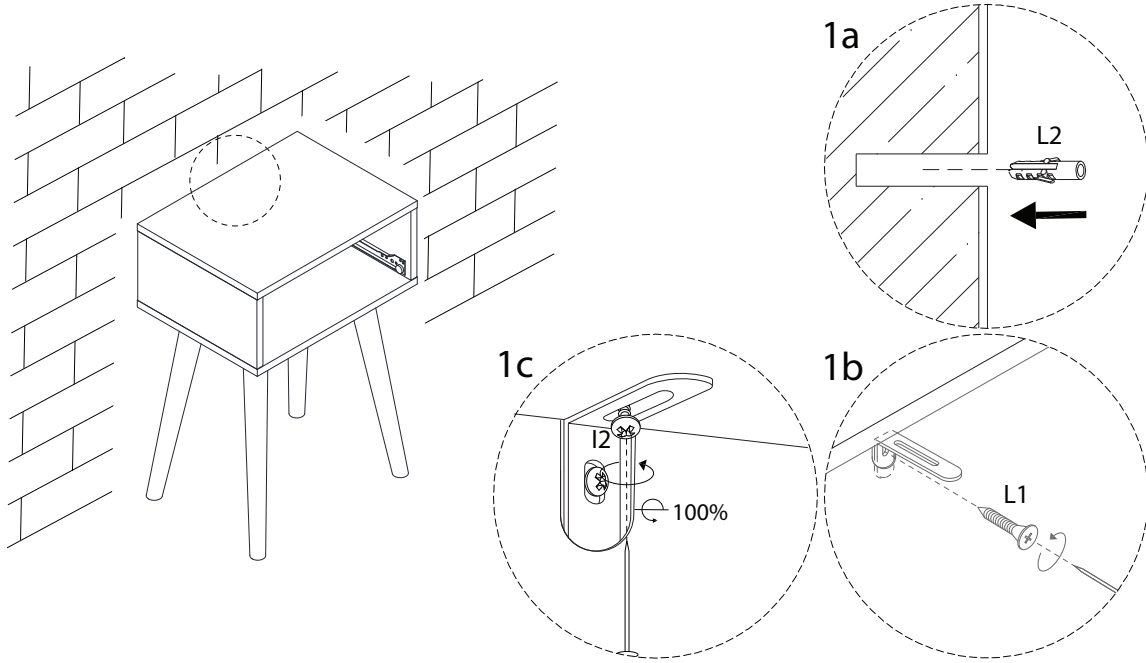
x 1



19

L1
M4
x
30
x 1

L2
x 1



20

