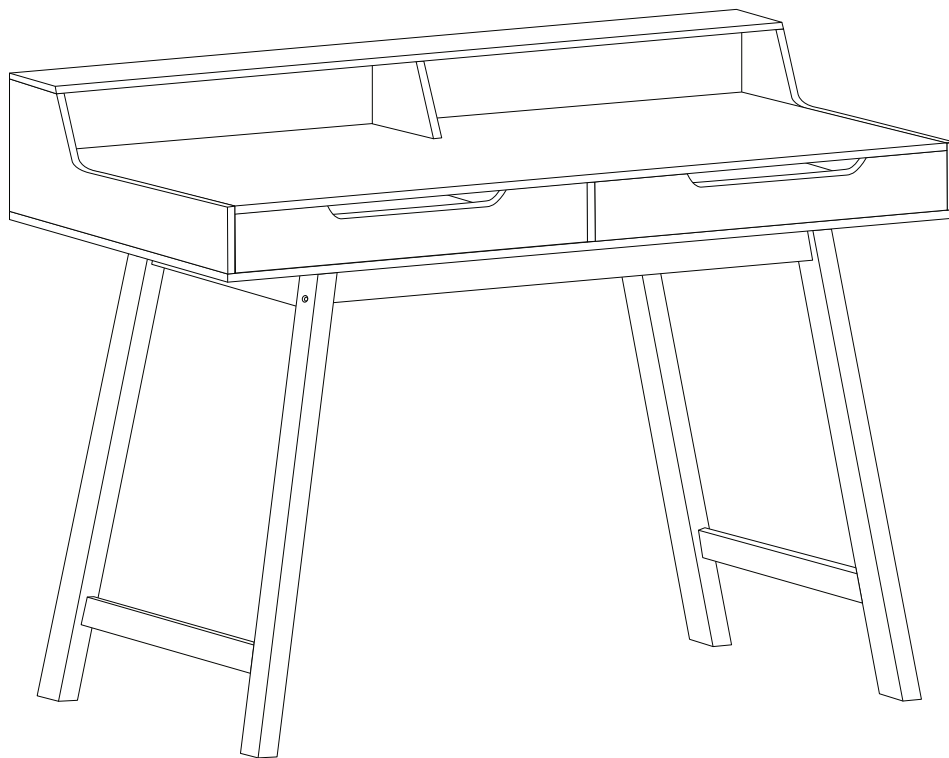
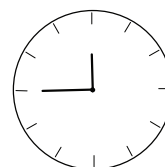
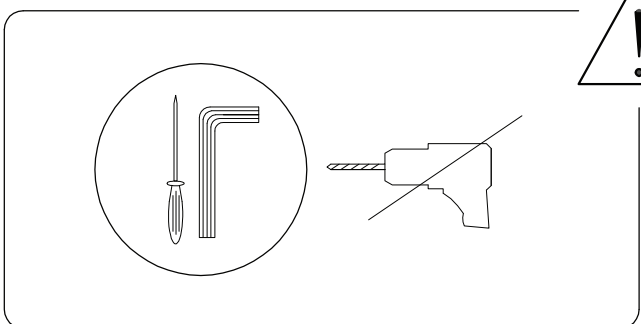
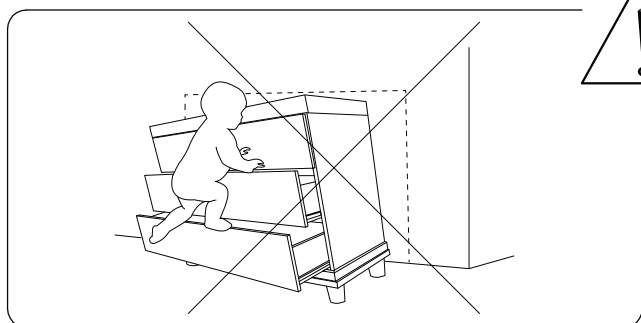
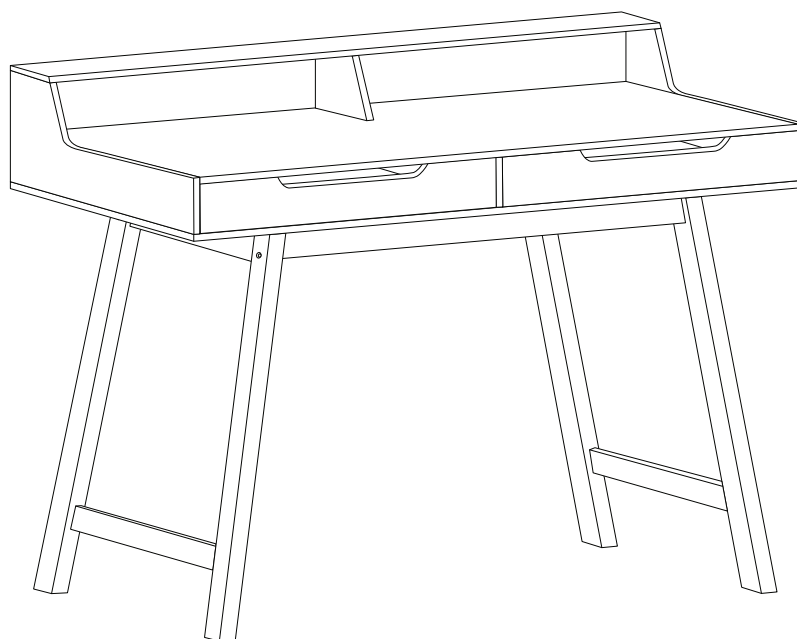
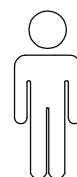
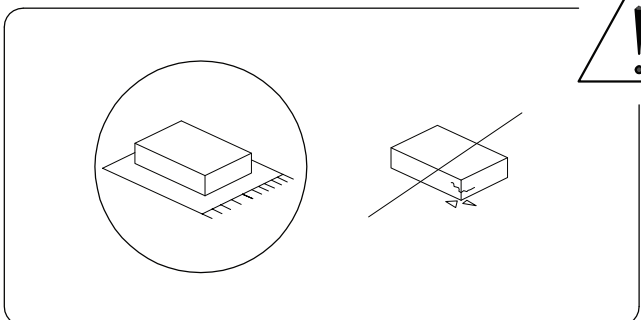


# BARIE

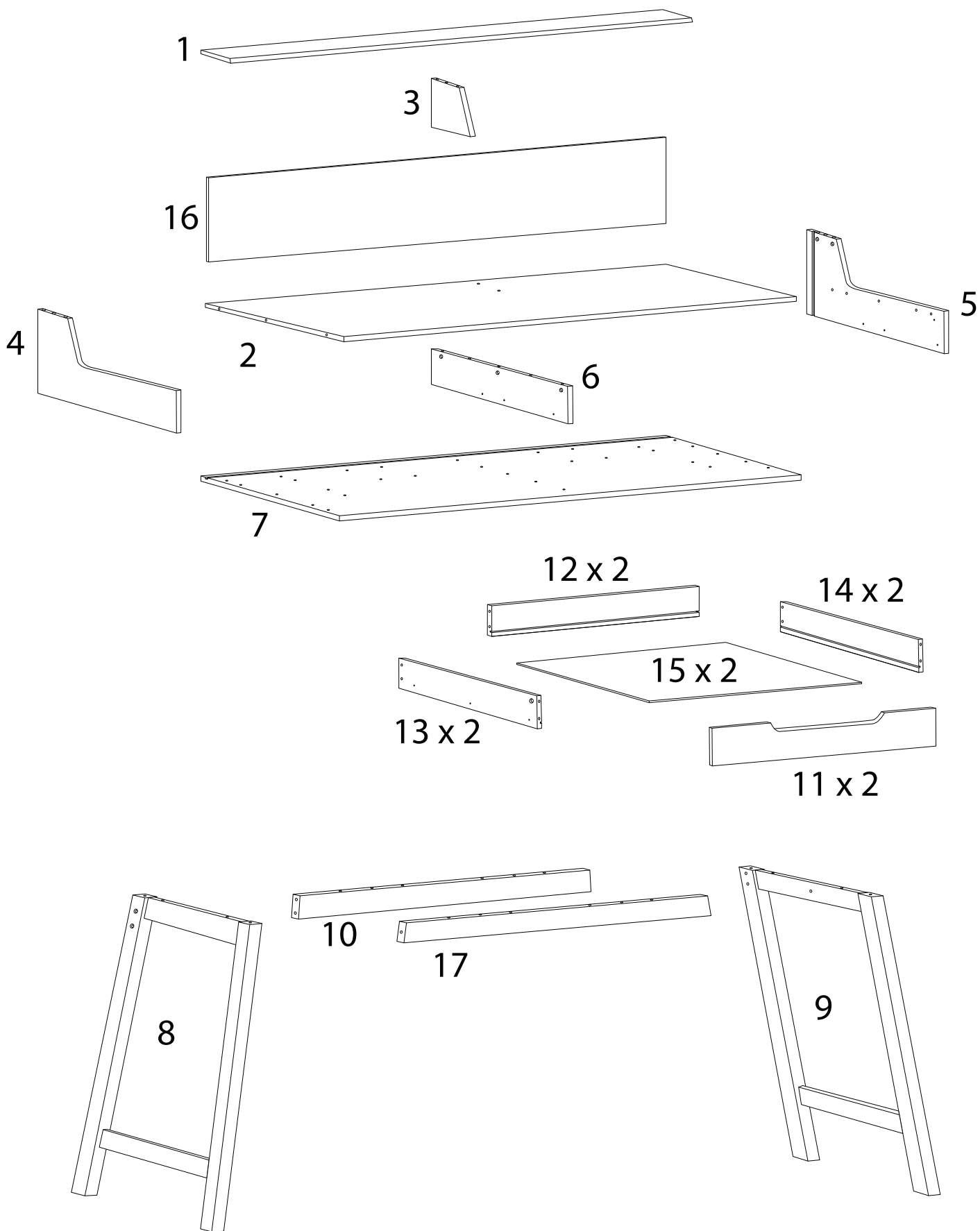


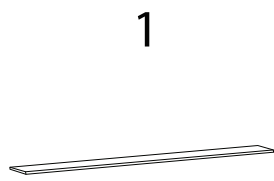


45'

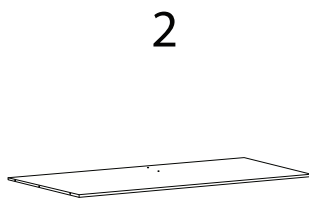


2

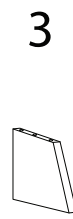




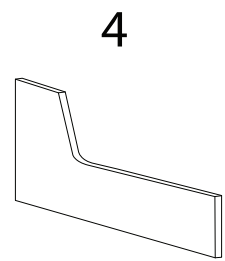
x 1



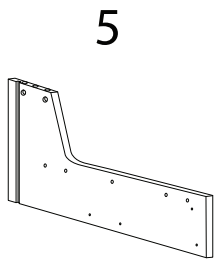
x 1



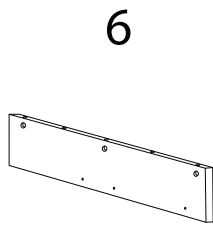
x 1



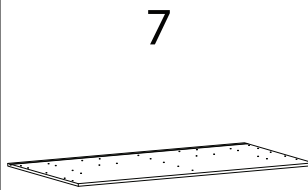
x 1



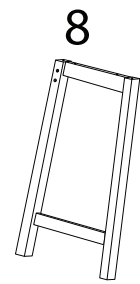
x 1



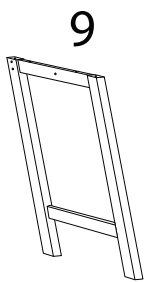
x 1



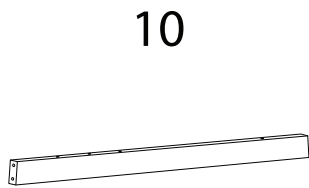
x 1



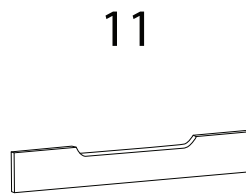
x 1



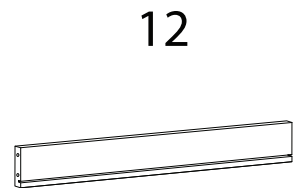
x 1



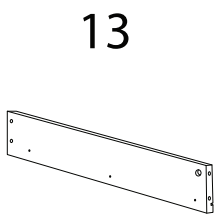
x 1



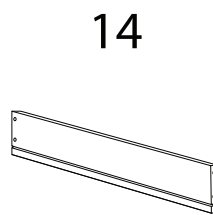
x 2



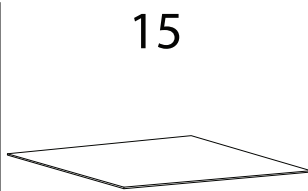
x 2



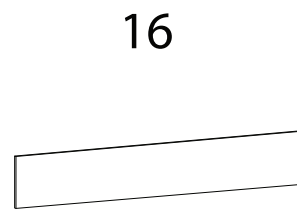
x 2



x 2

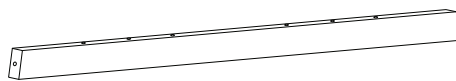


x 2



x 1

17



x 1

A



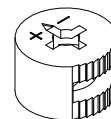
x 24

B



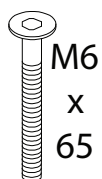
x 19

C



x 19

D1



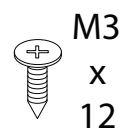
x 6

D2



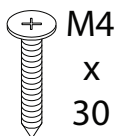
x 6

E



x 28

F



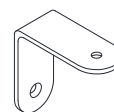
x 35

G



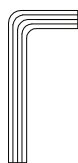
x 4

H



x 2

I



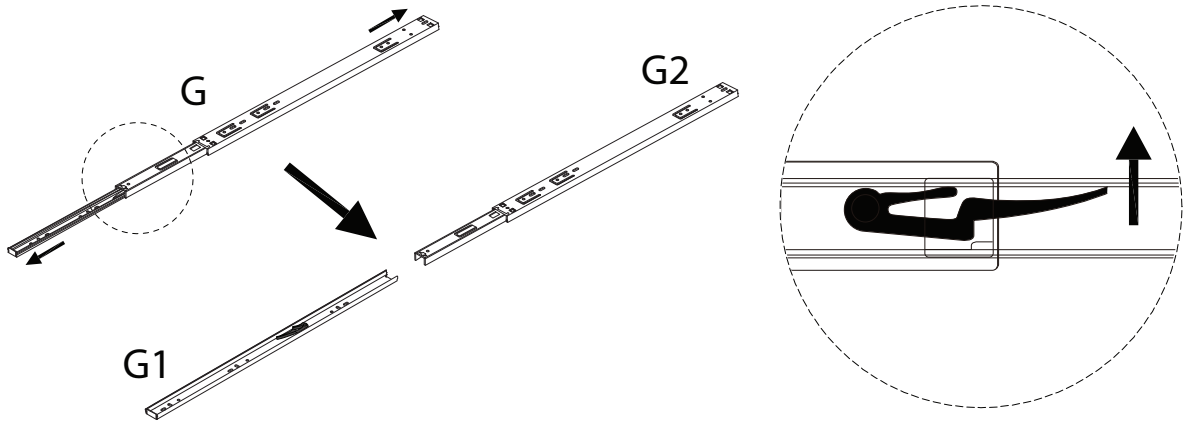
x 1

J



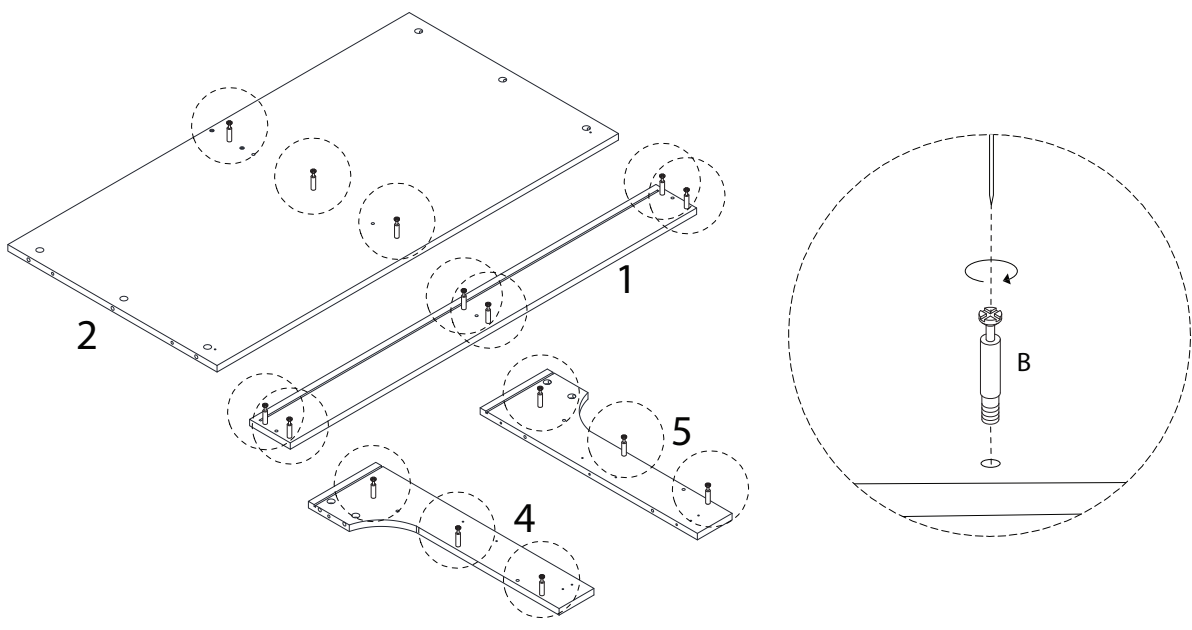
x 6

!



1

1	2	4	5	B
x 1	x 1	x 1	x 1	x 15



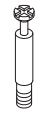
2 x 2

11

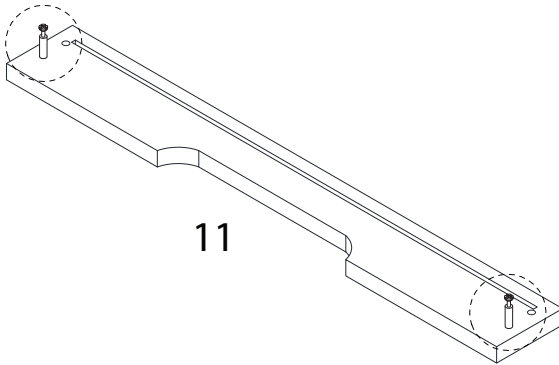


x 1

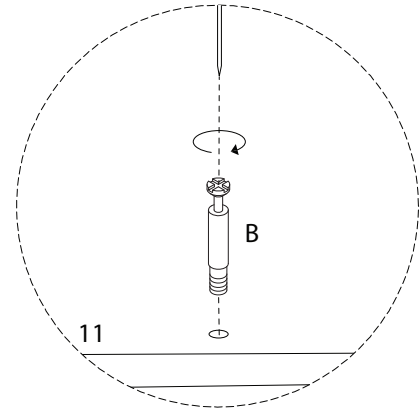
B



x 2



11

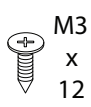


11

B

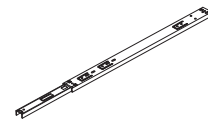
3

E

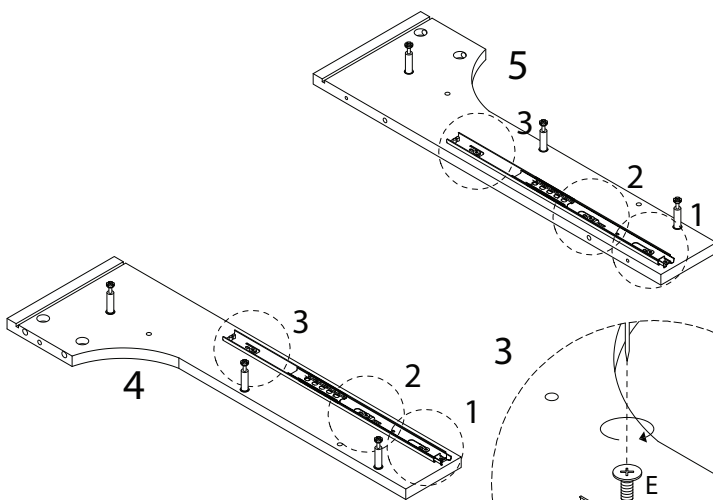


x 6

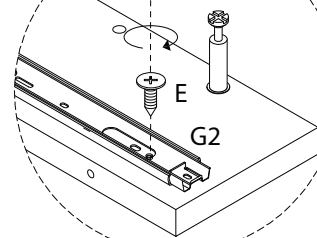
G2



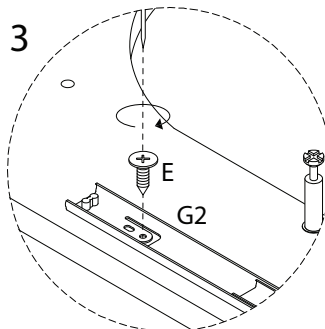
x 2



1

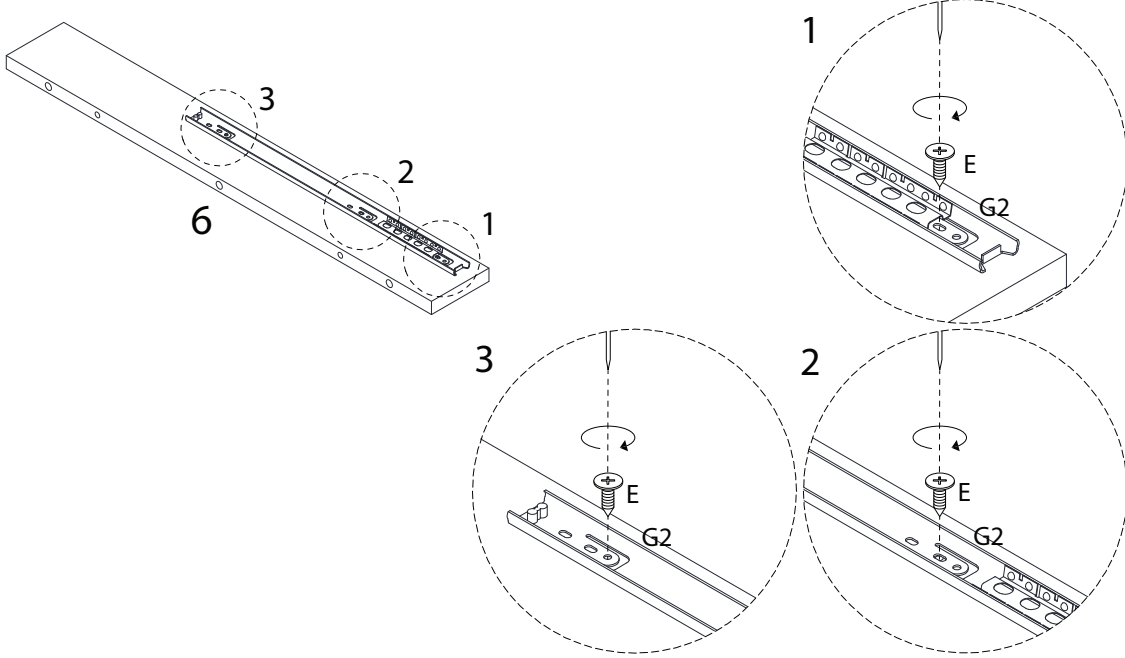
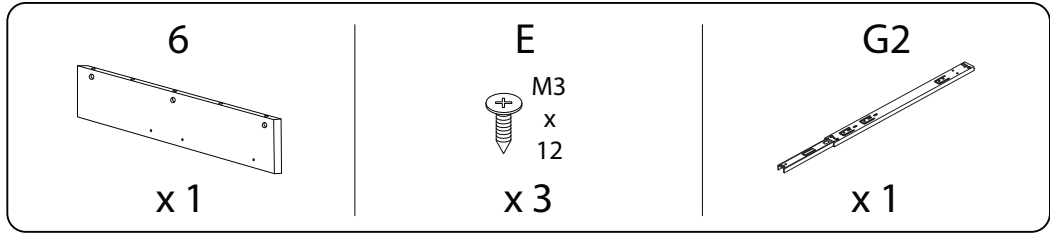


2

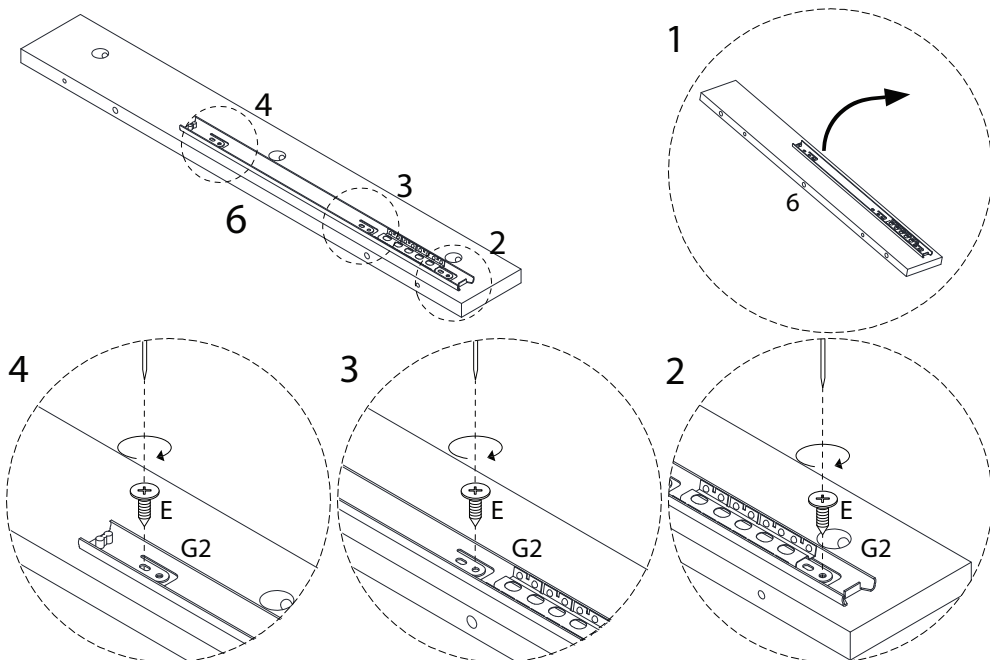
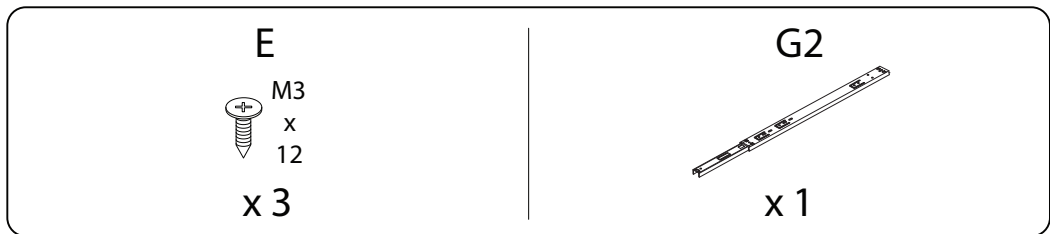


2

4



5





6

3

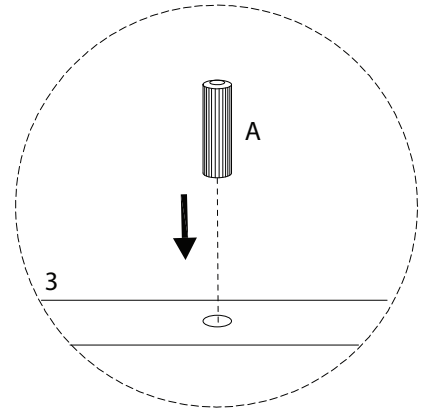
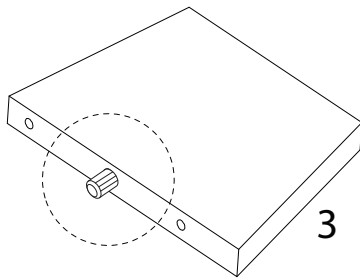


x 1

A

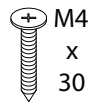


x 1

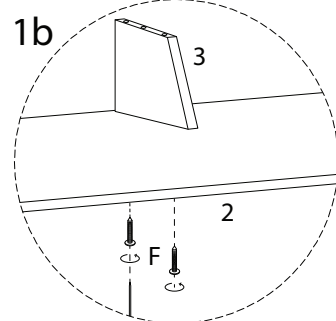
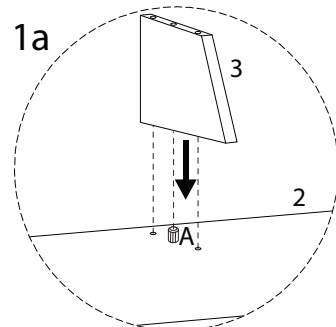
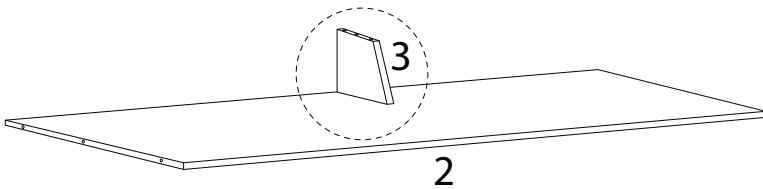


7

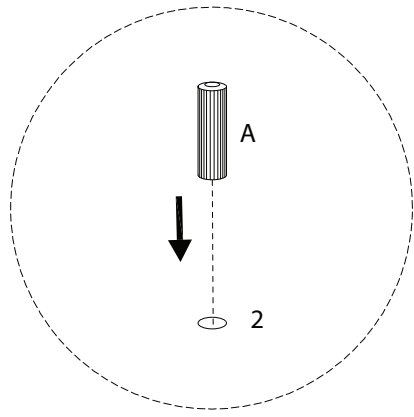
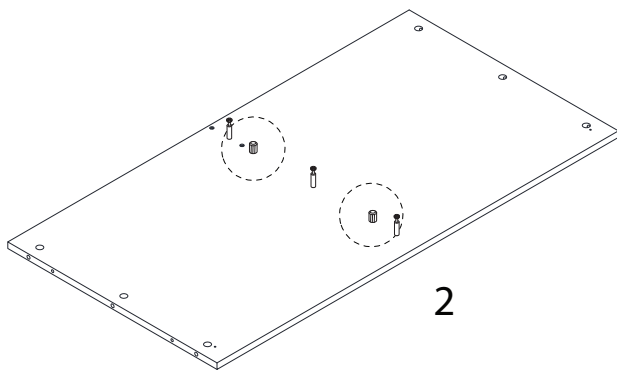
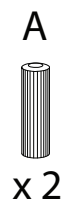
F



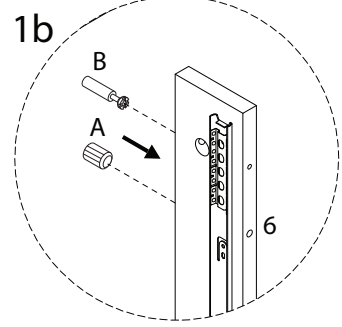
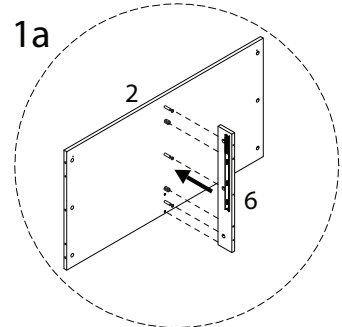
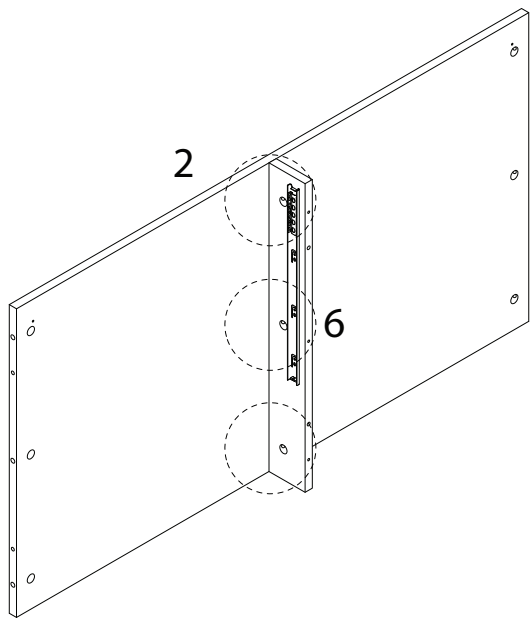
x 2



8



9

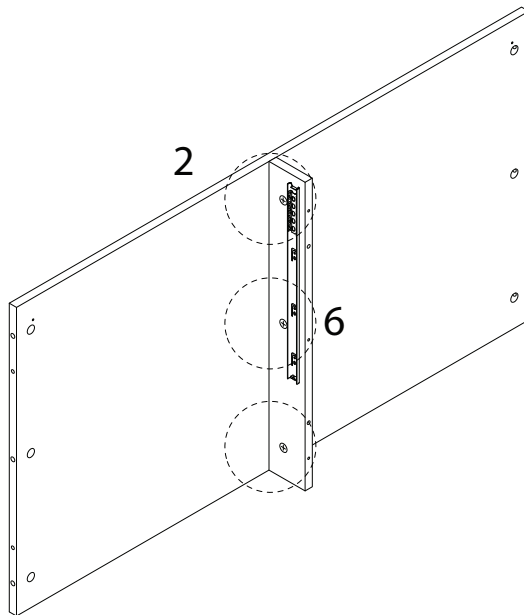


10

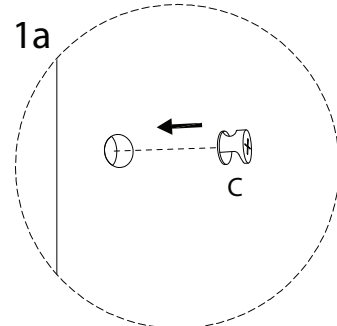
C



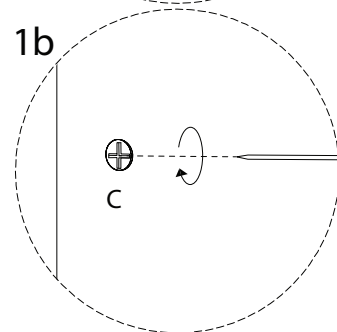
x 3



1a



1b

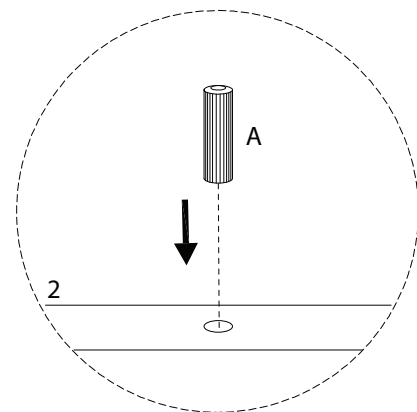
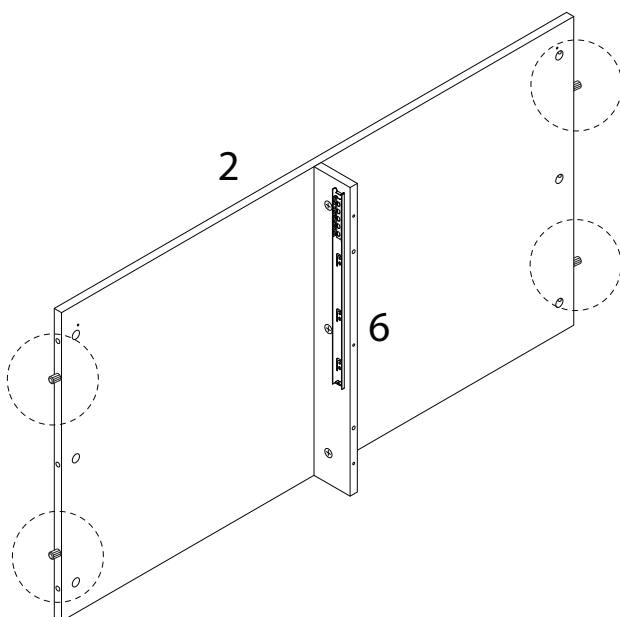


11

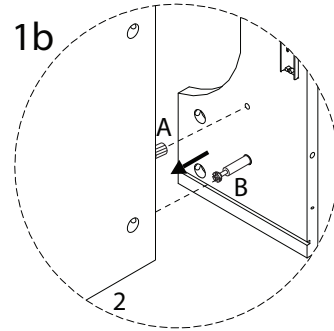
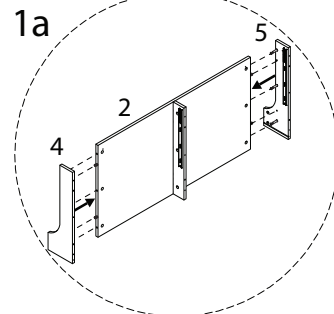
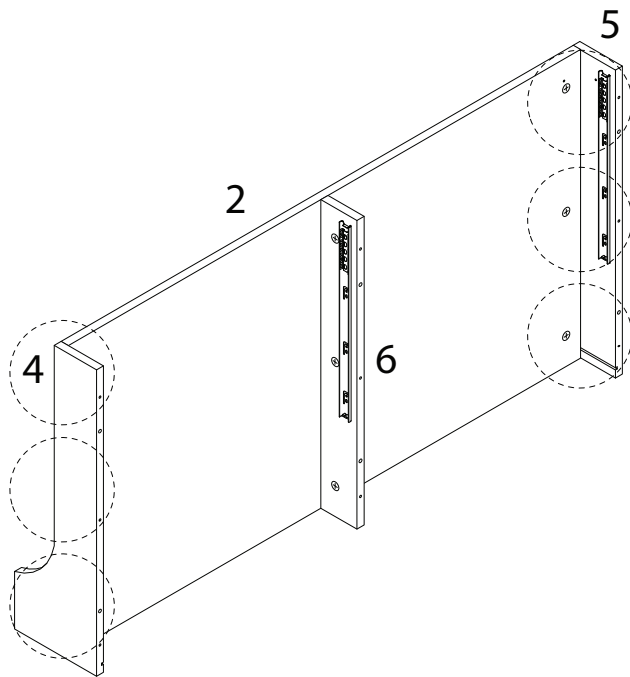
A



x 4



12

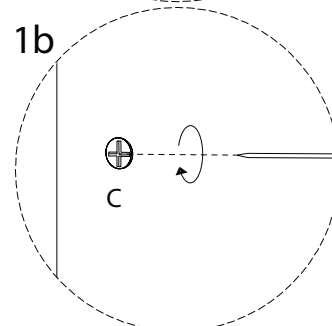
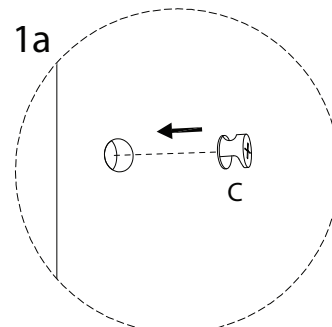
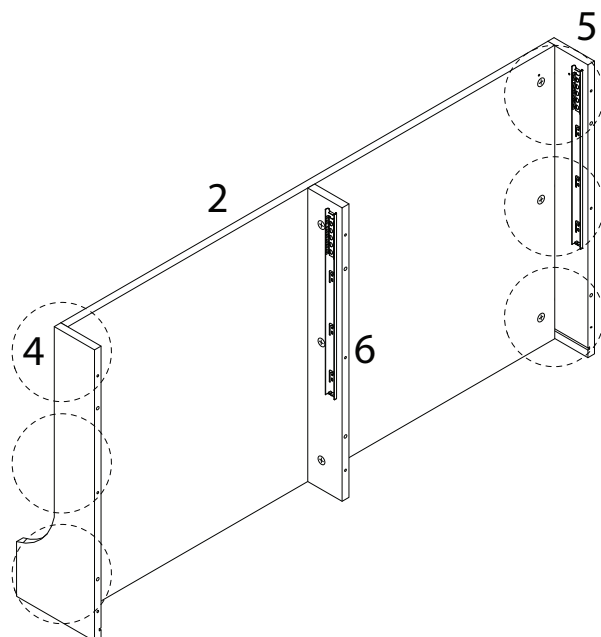


13

C



x 6

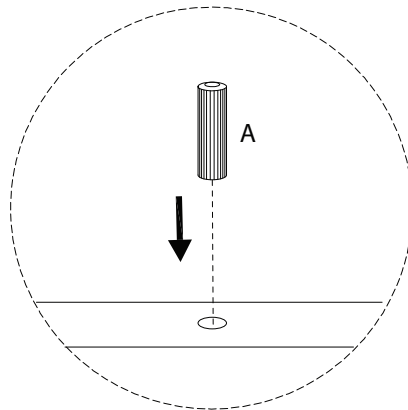
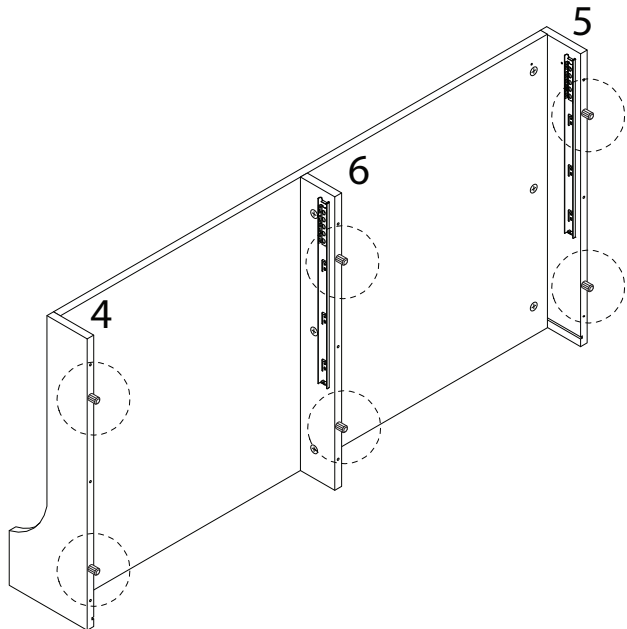


14

A



x 6



15

E



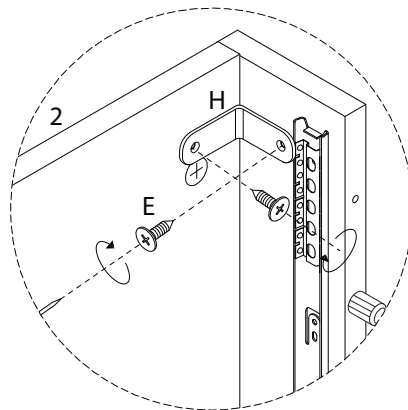
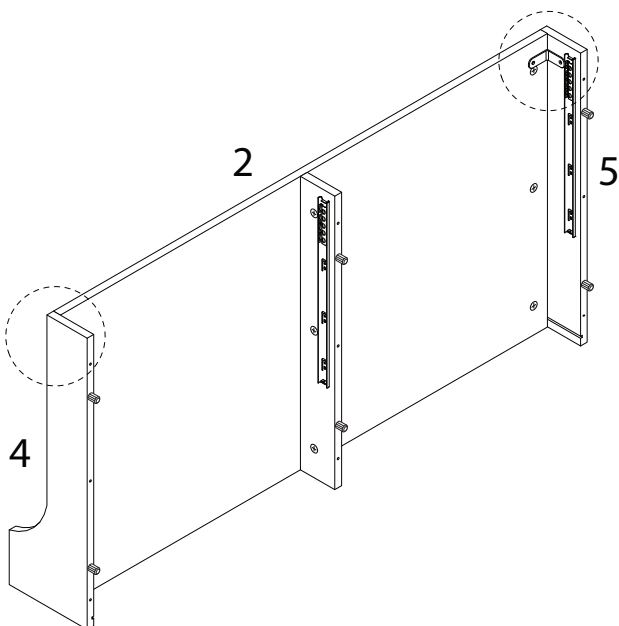
x 4

M3  
x  
12

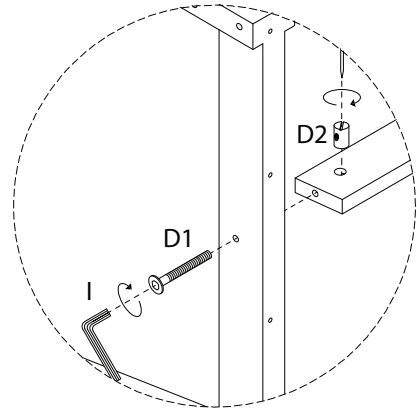
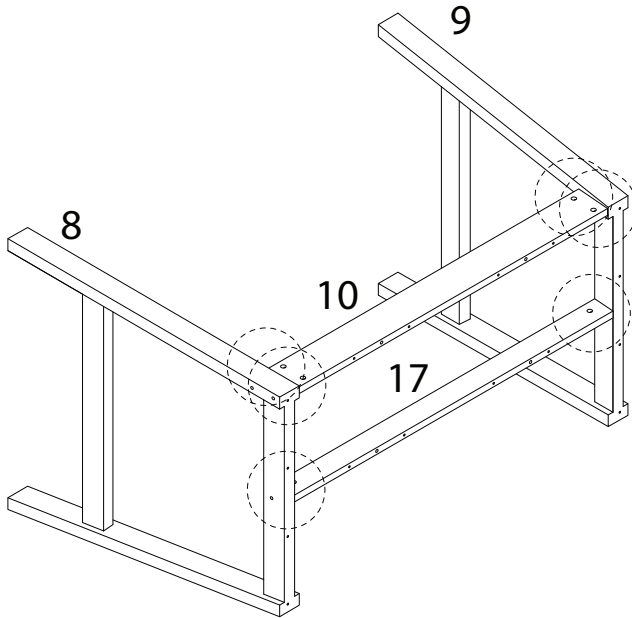
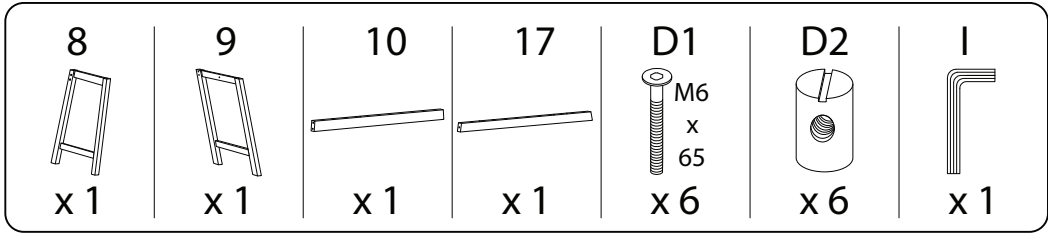
H



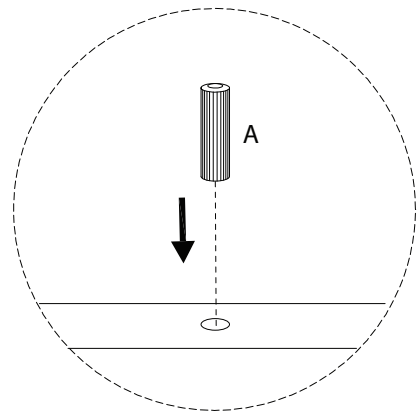
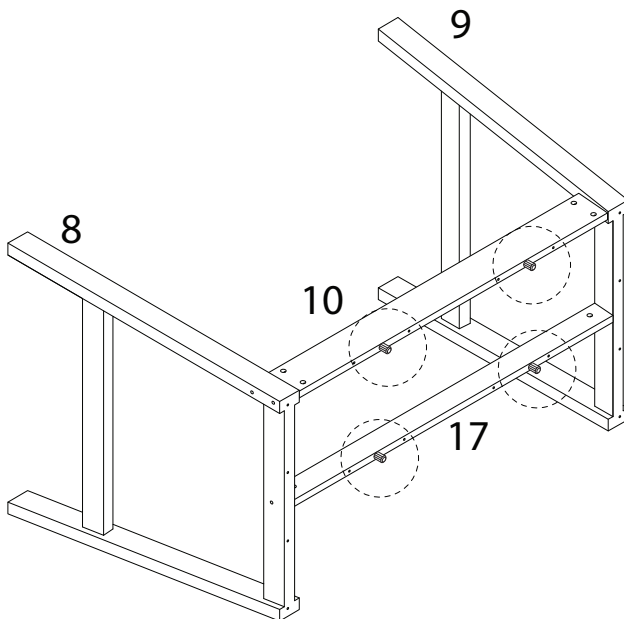
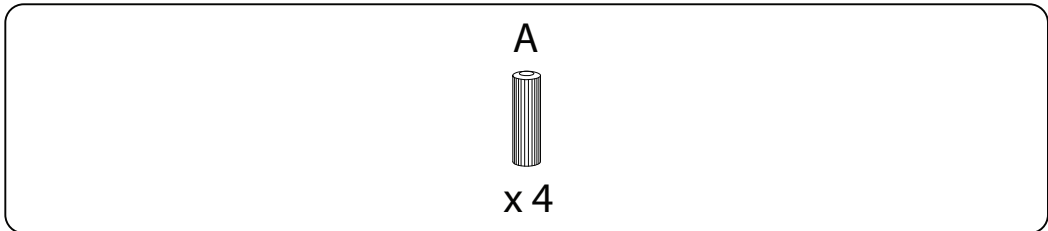
x 2



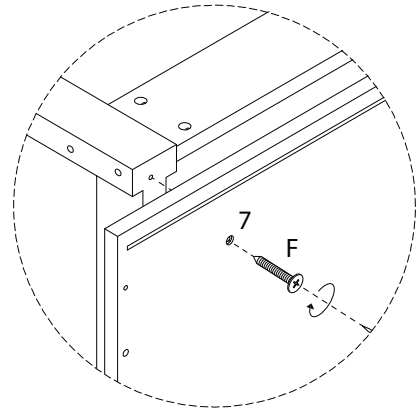
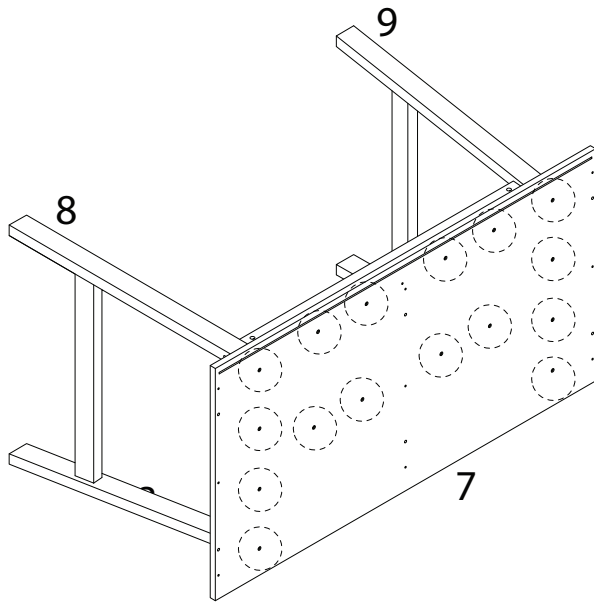
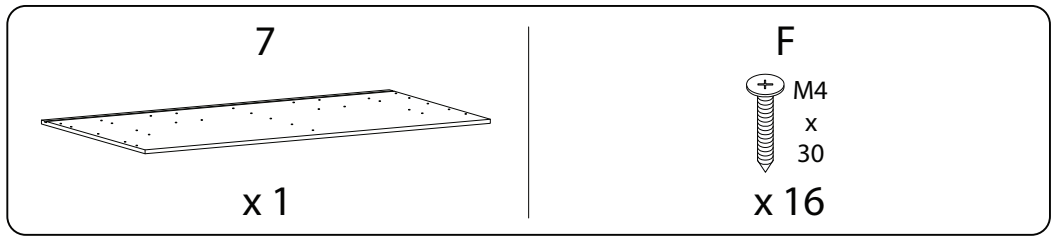
16



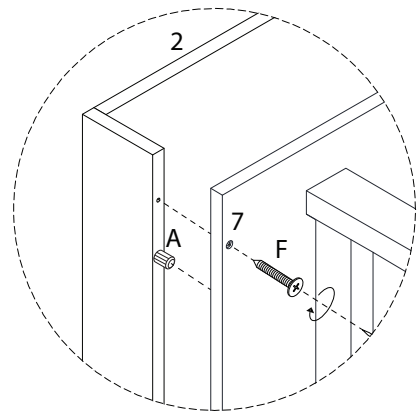
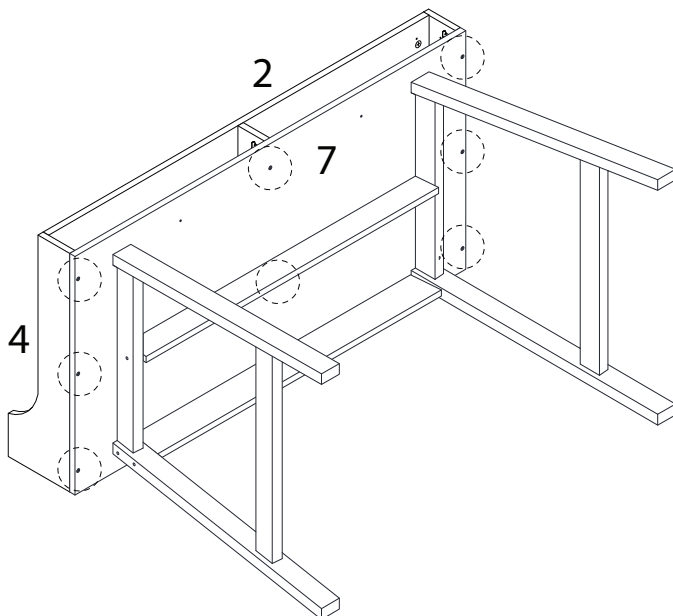
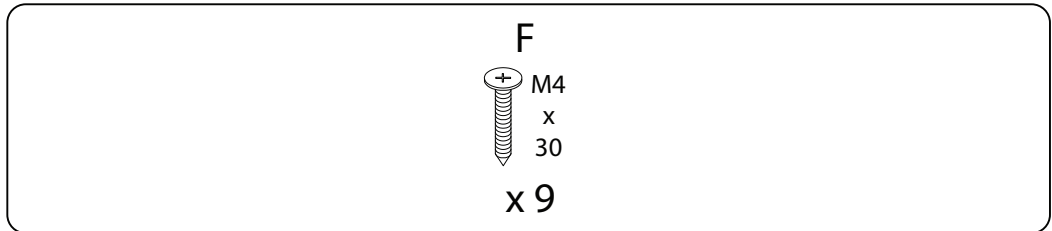
17



18

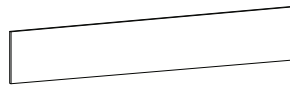


19

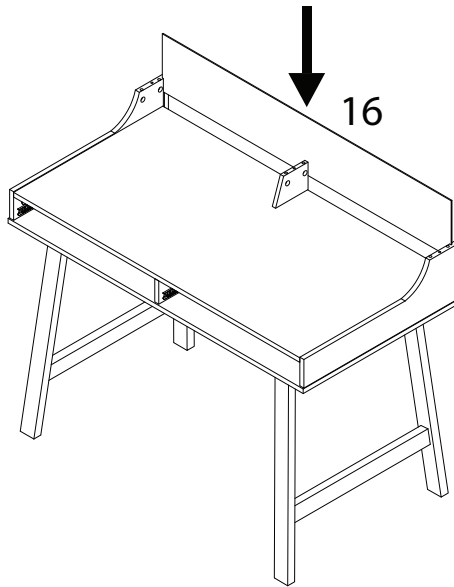


20

16



x 1

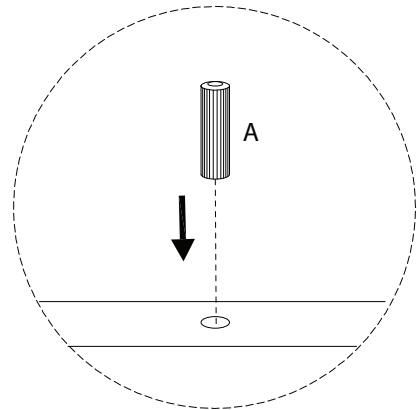
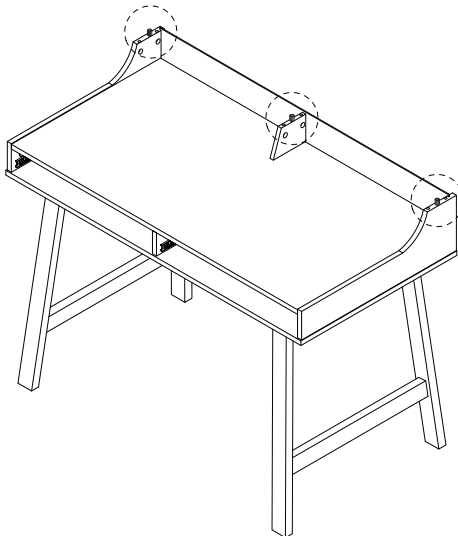


21

A

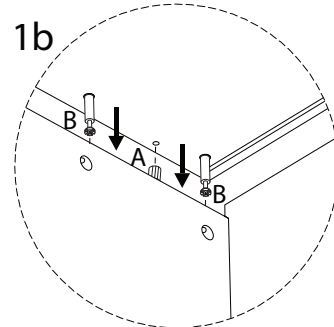
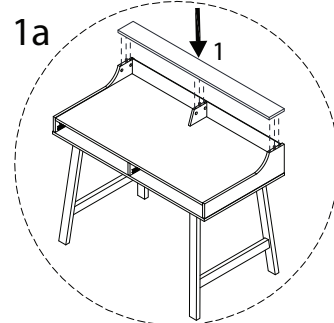
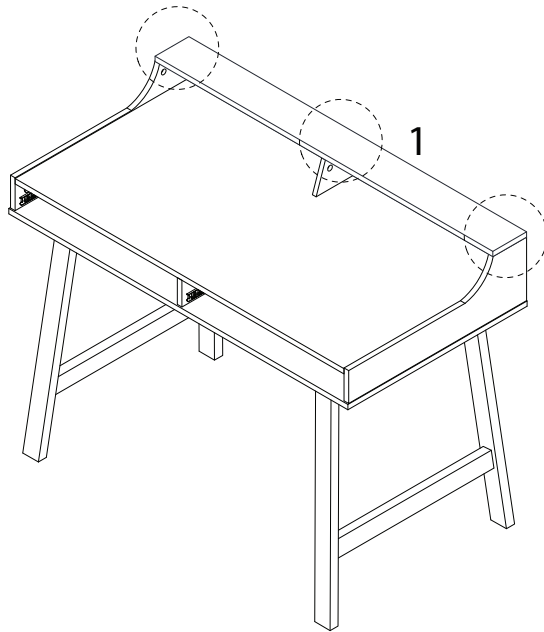


x 3





22

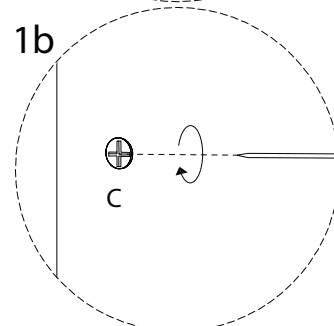
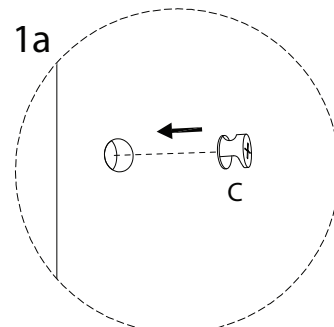
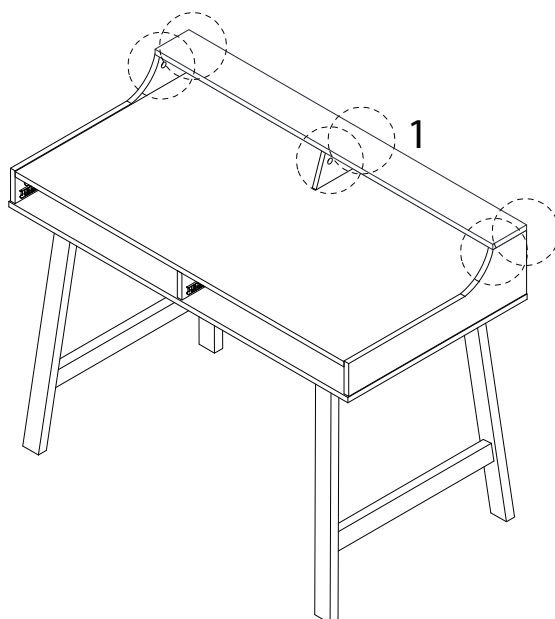


23

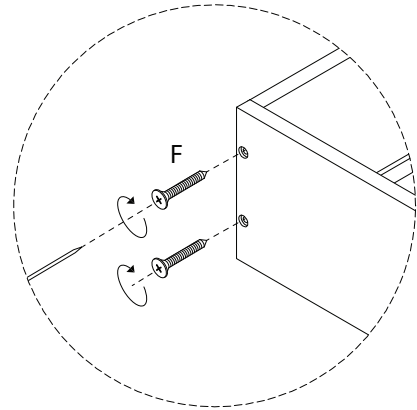
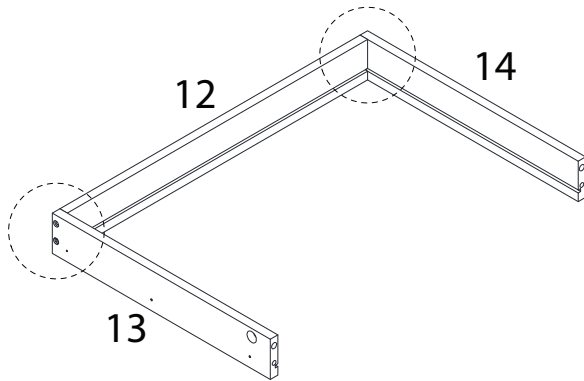
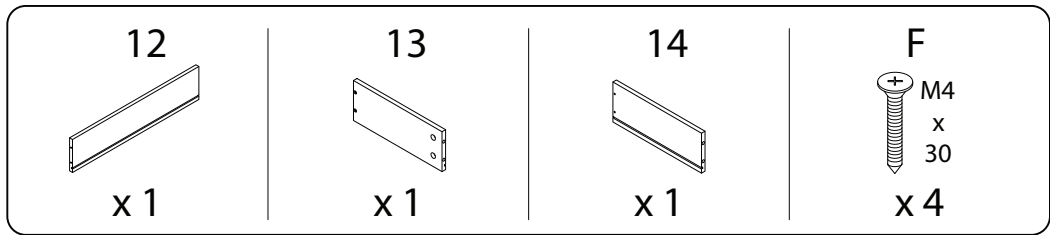
C



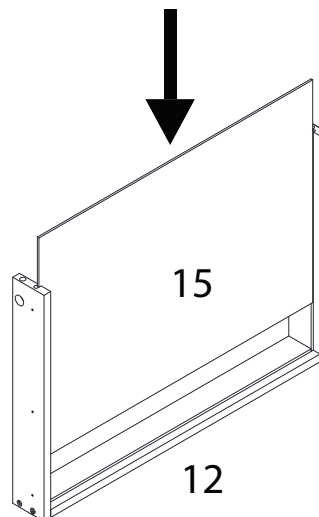
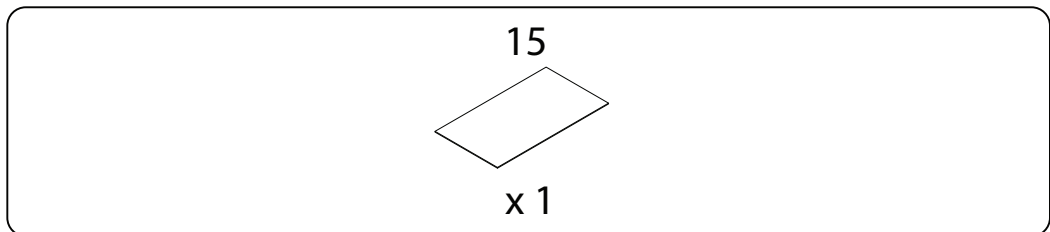
x 6



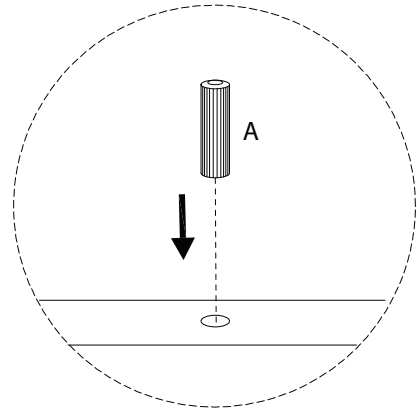
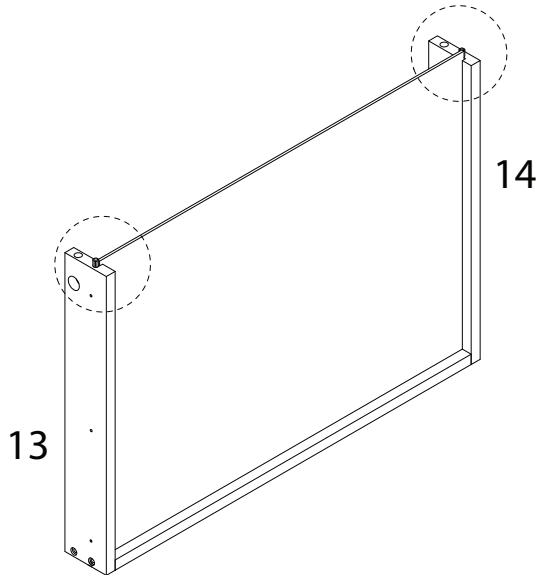
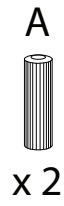
24 x 2



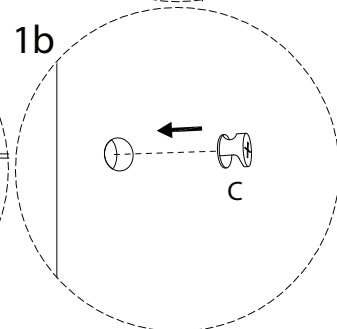
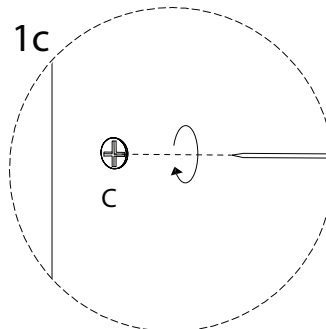
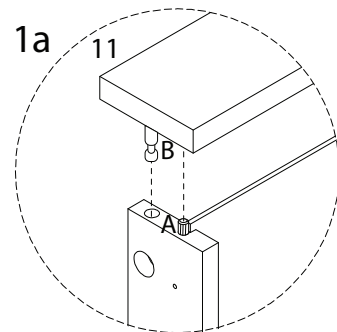
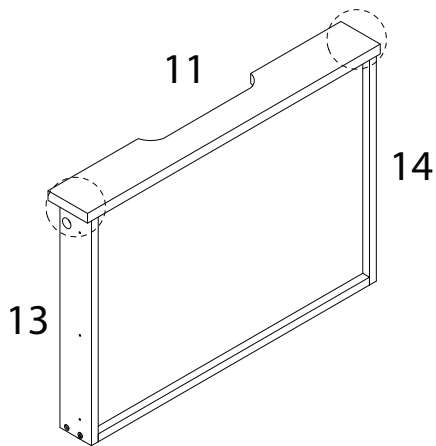
25 x 2



26 x 2



27 x 2



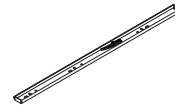
28 x 2

E

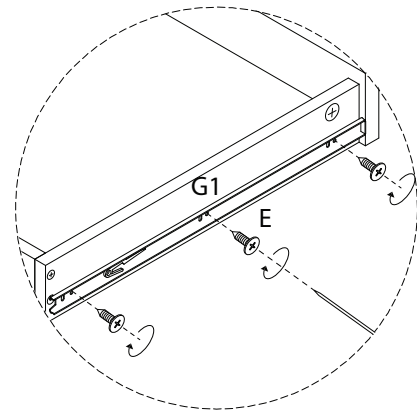
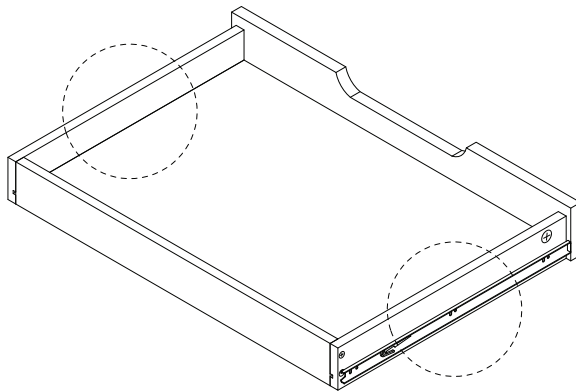


x 6

G1



x 2

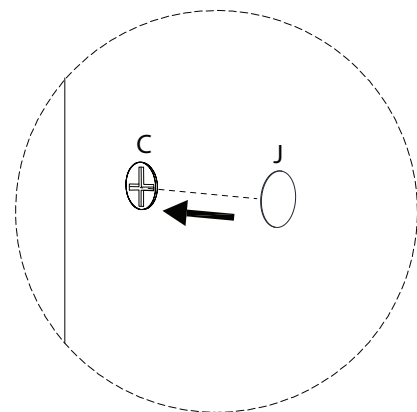
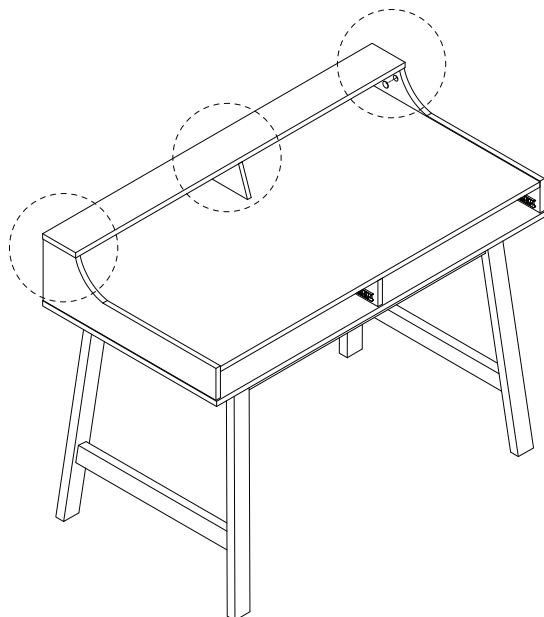


29

J



x 6



30

