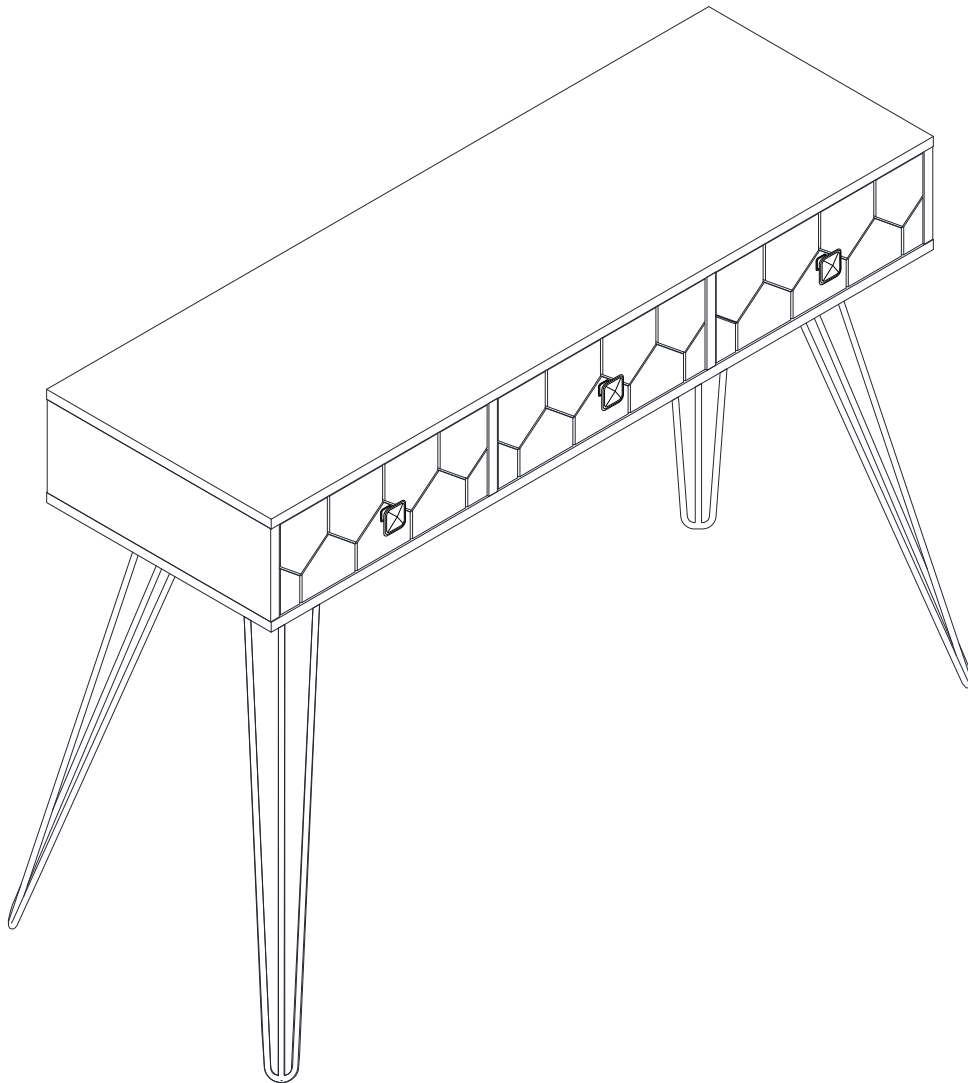
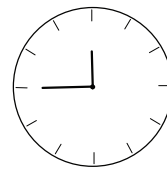
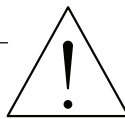
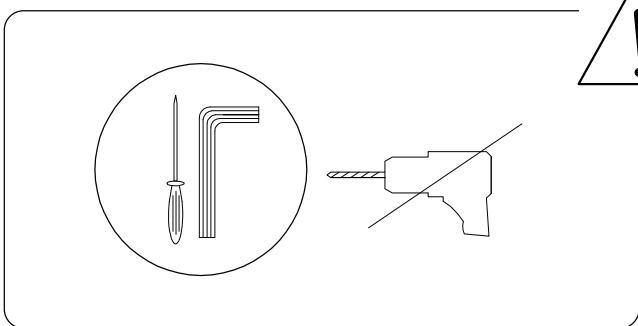
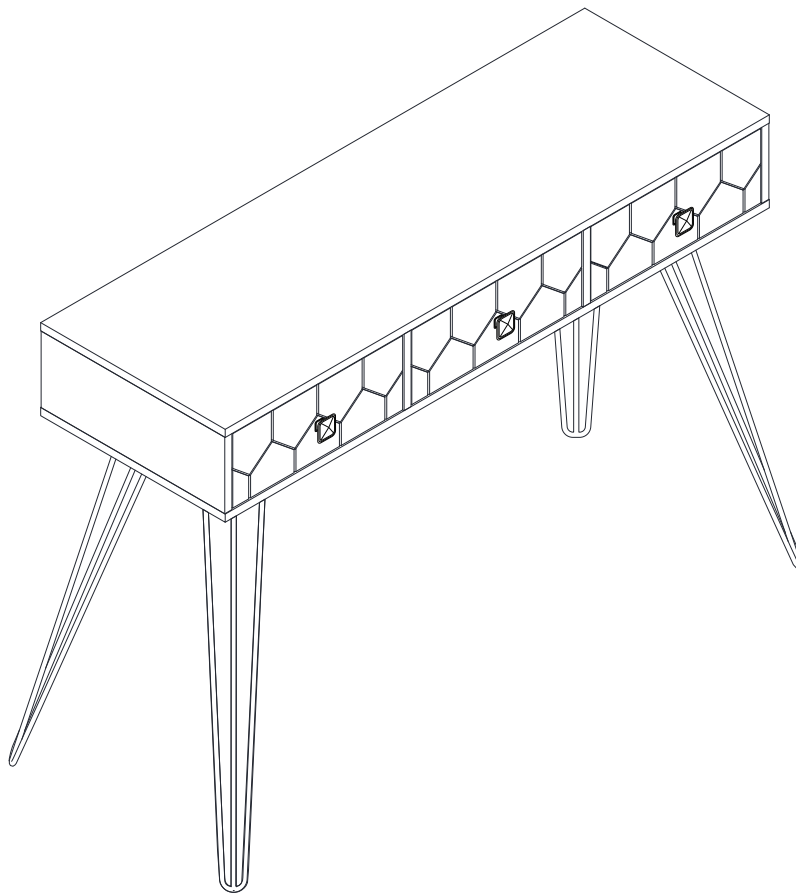
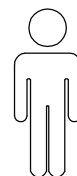
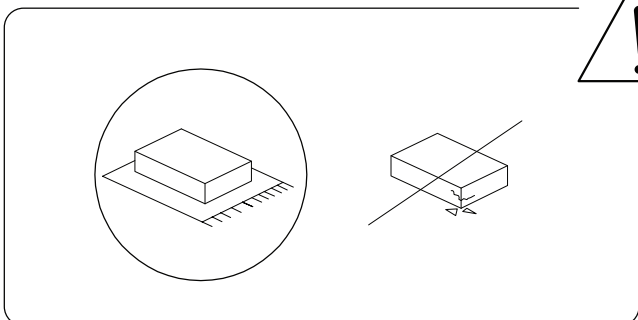


MALSALA

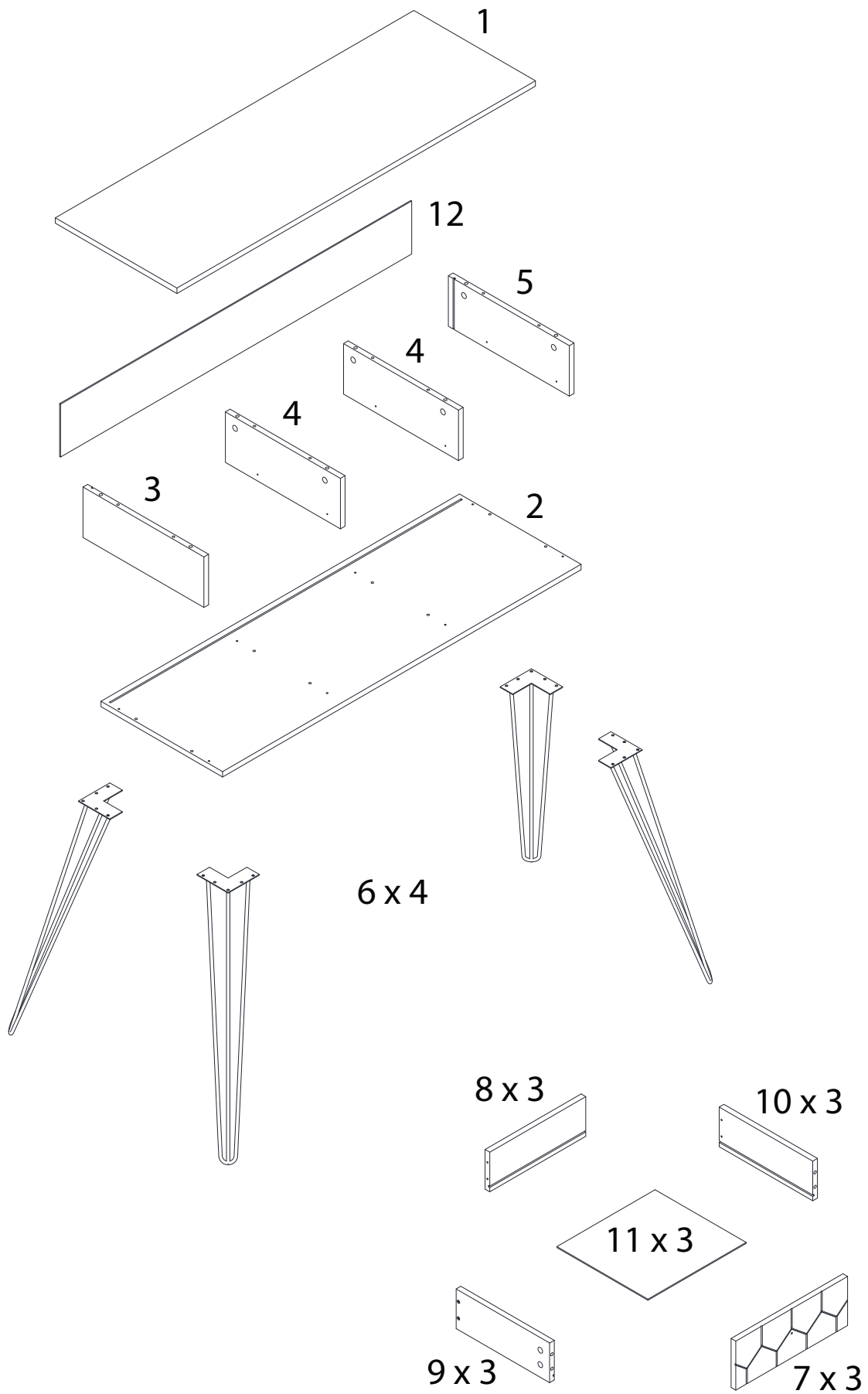




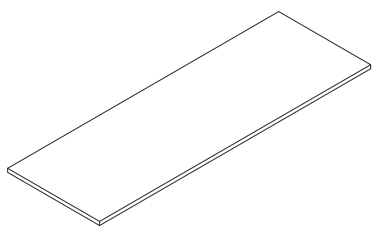
45'



2

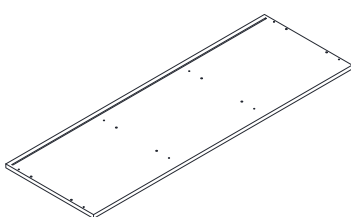


1



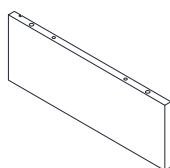
x 1

2



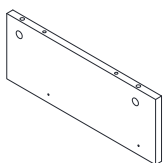
x 1

3



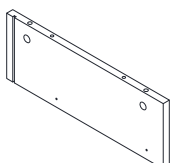
x 1

4



x 2

5



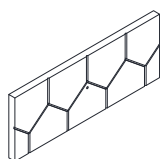
x 1

6



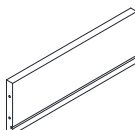
x 4

7



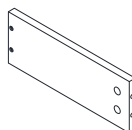
x 3

8



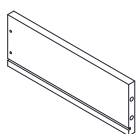
x 3

9



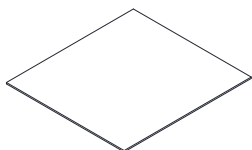
x 3

10



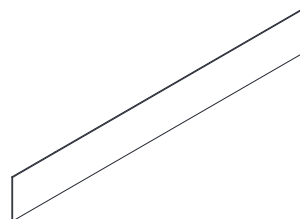
x 3

11



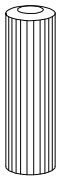
x 3

12



x 1

A



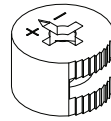
x 16

B



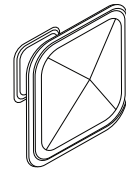
x 20

C



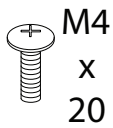
x 20

D1



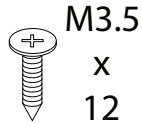
x 3

D2



x 3

E



x 36

F



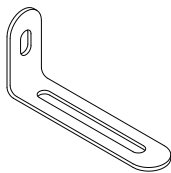
x 20

H



x 16

I1



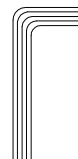
x 2

I2



x 2

J



x 1

K1



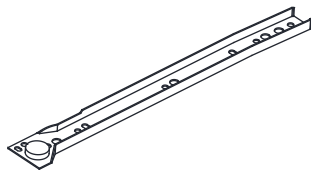
x 2

K2



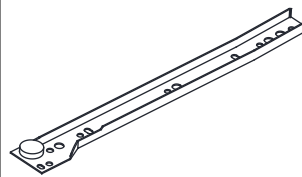
x 2

CL



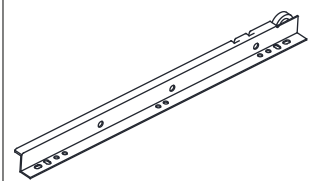
x 3

CR



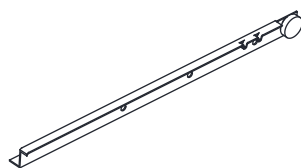
x 3

DL



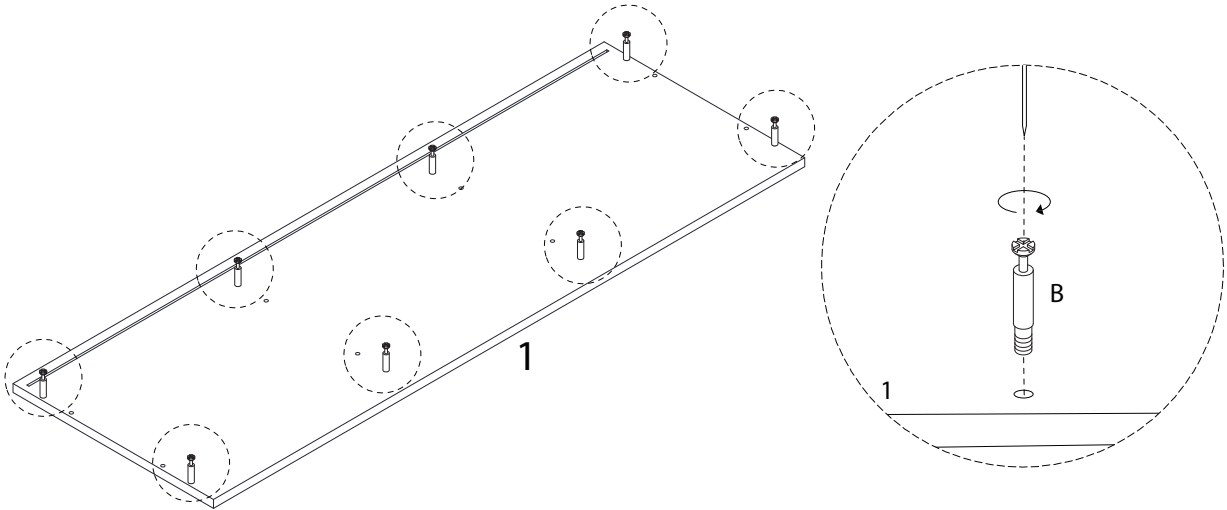
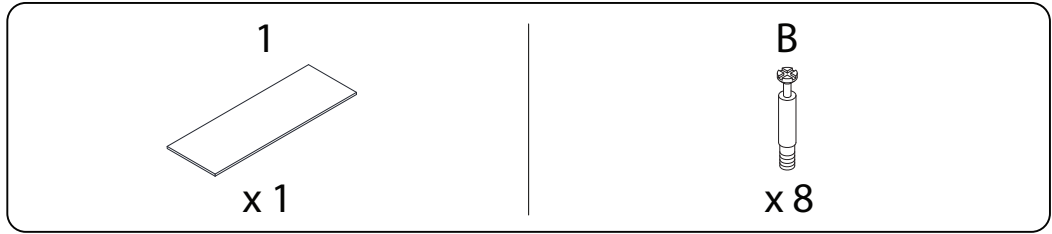
x 3

DR

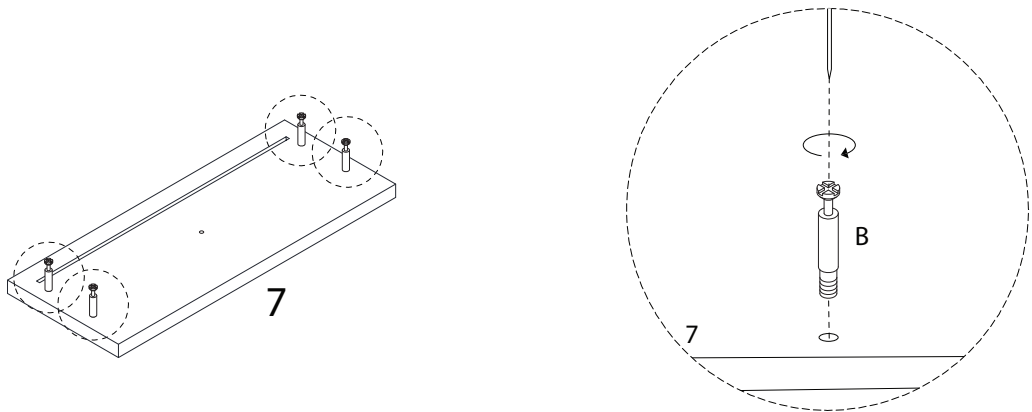
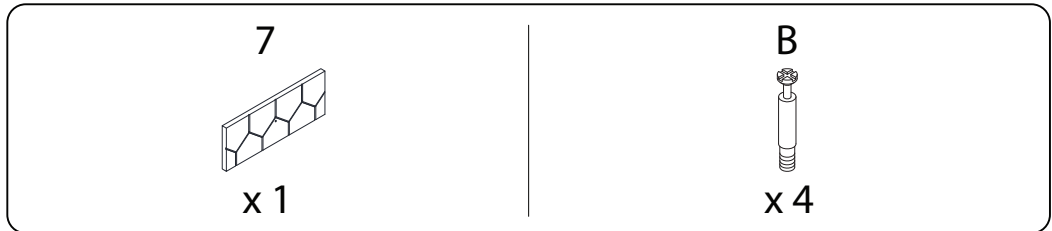


x 3

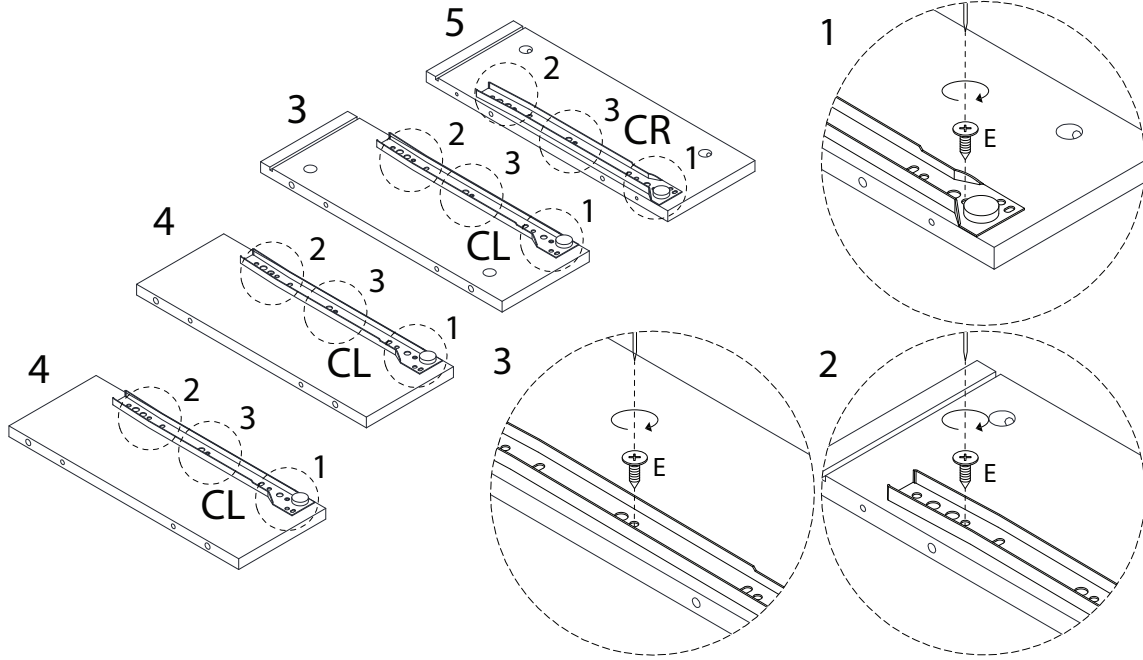
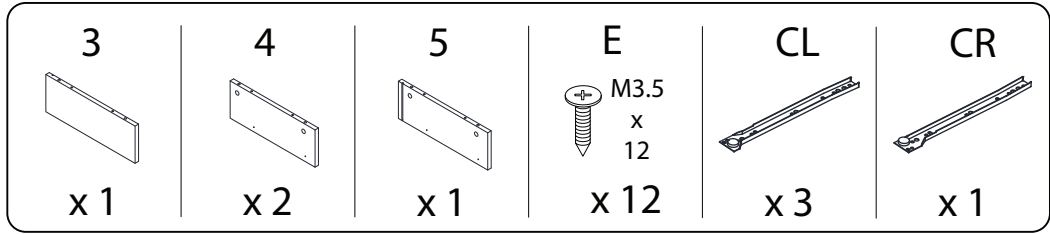
1



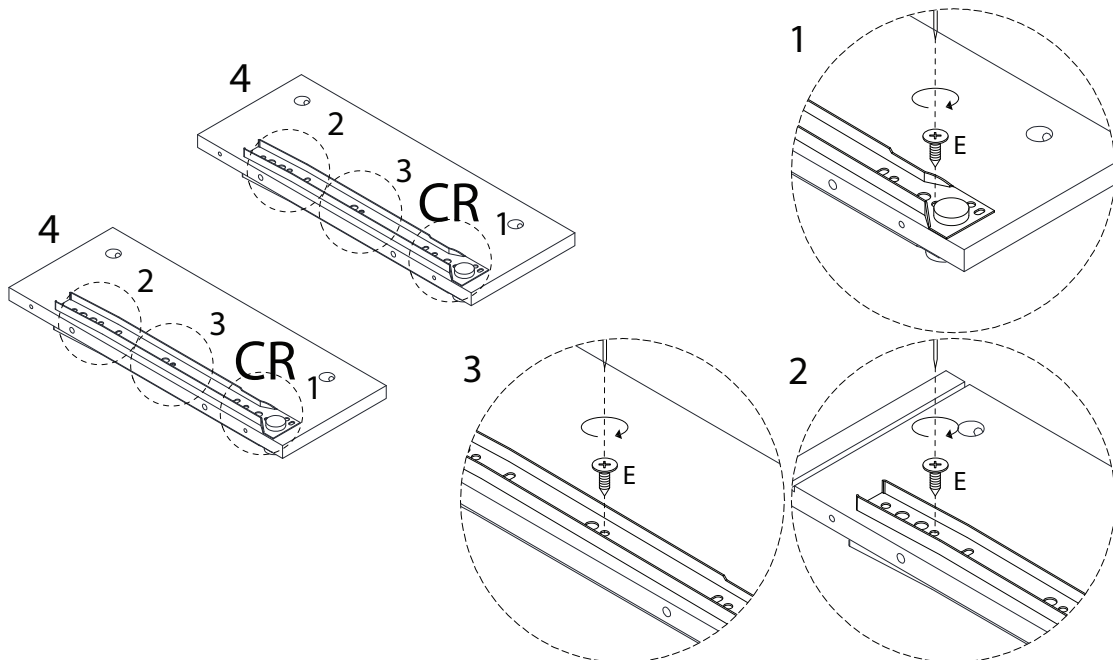
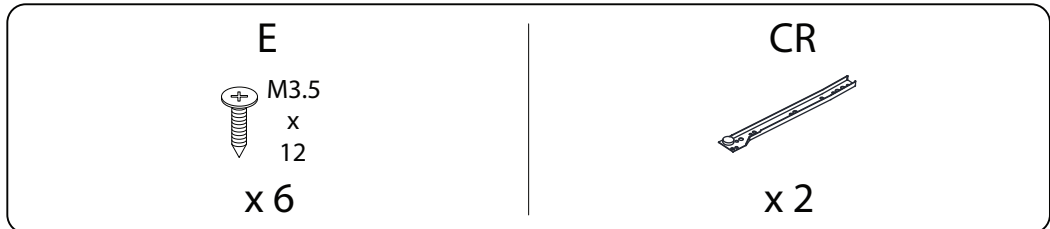
2 x 3



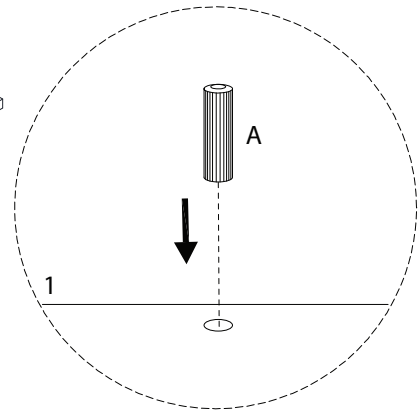
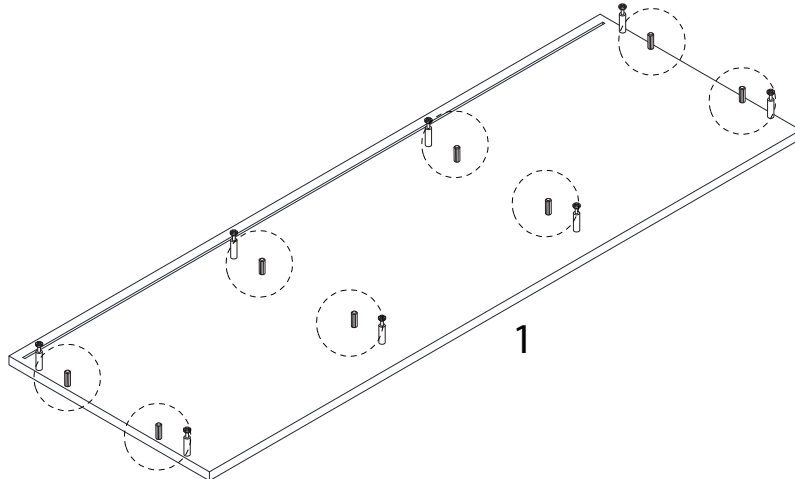
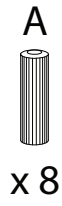
3



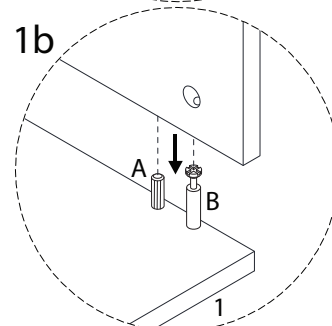
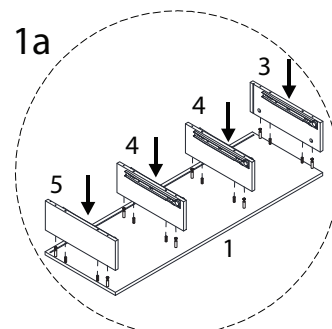
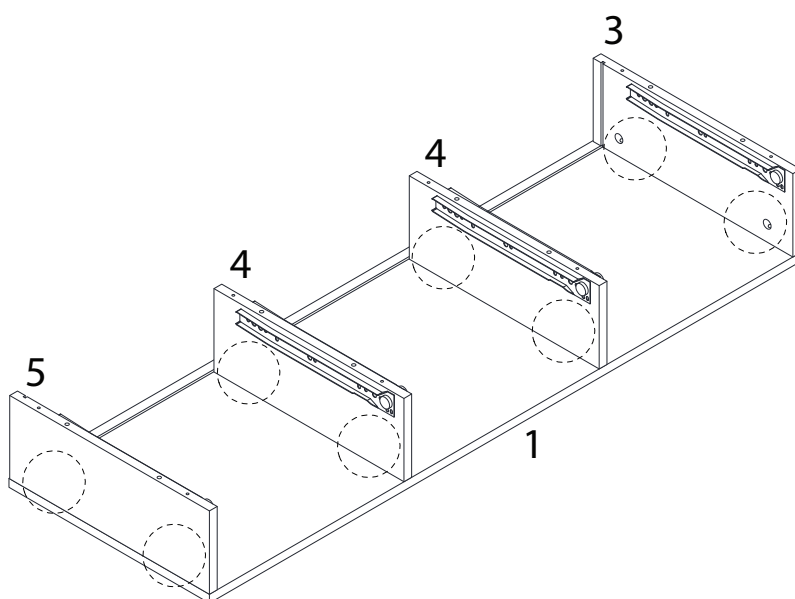
4



5



6

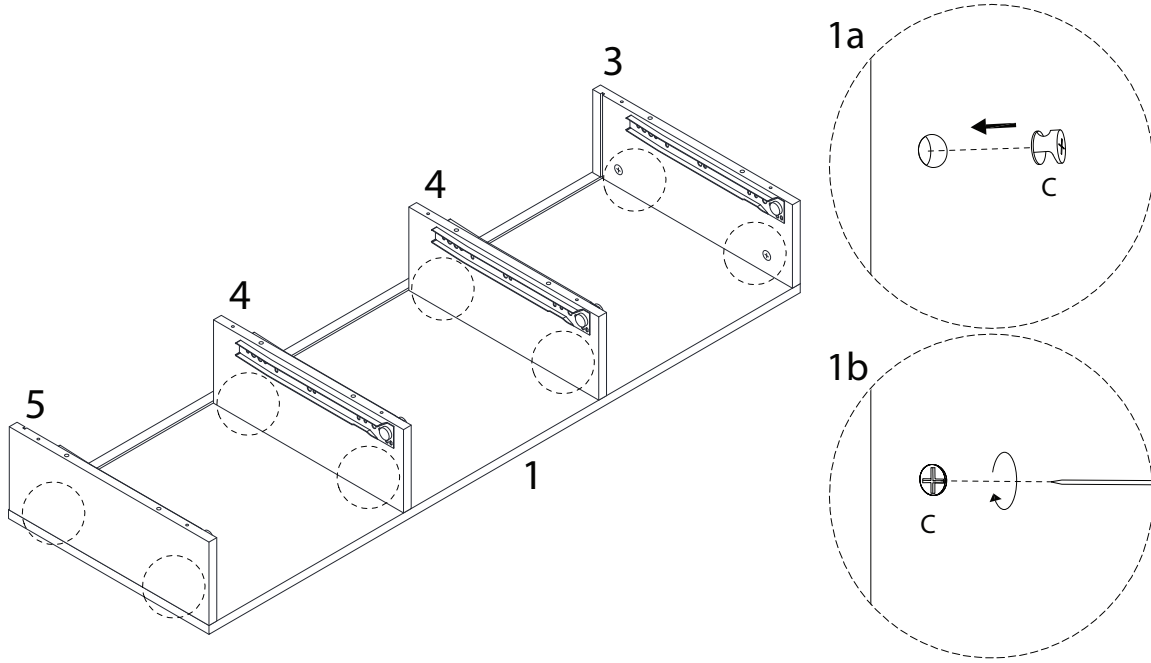


7

C

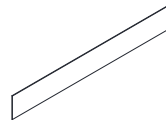


x 8

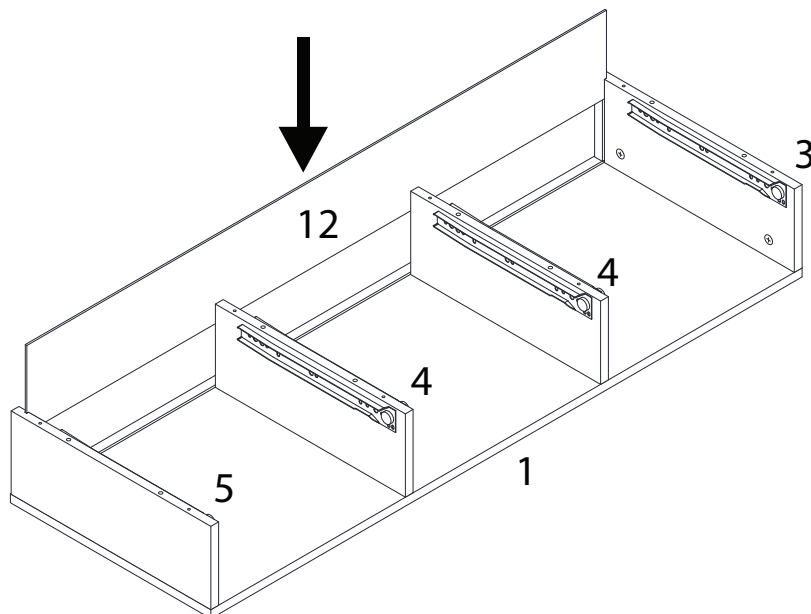


8

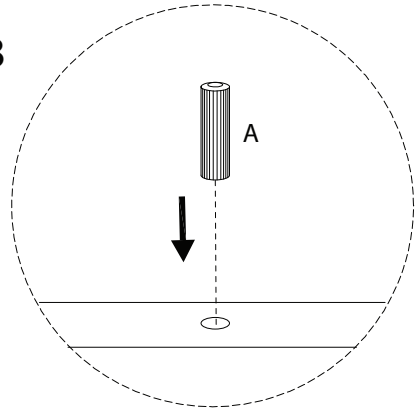
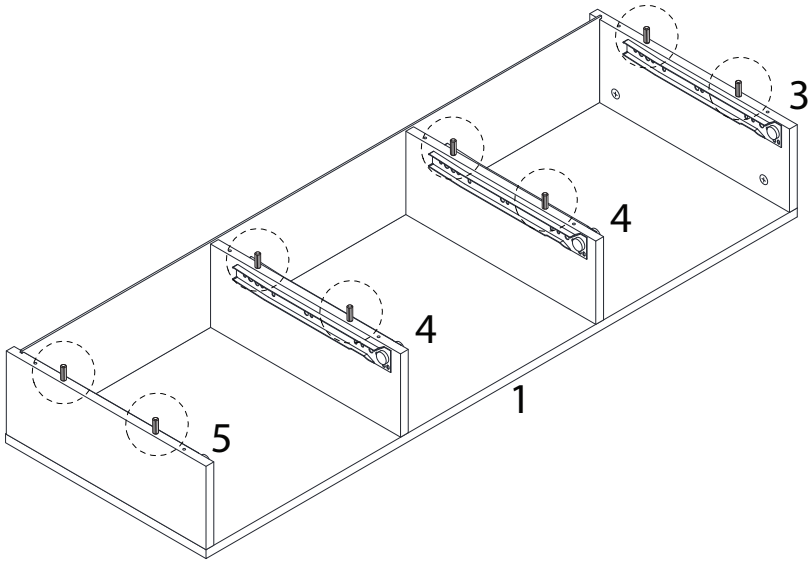
12



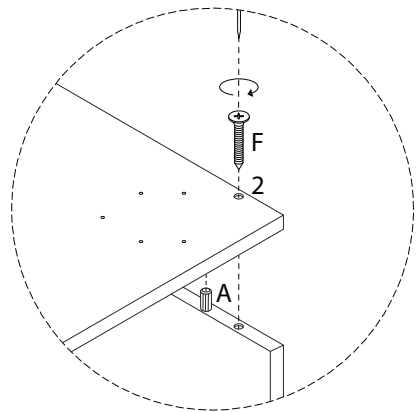
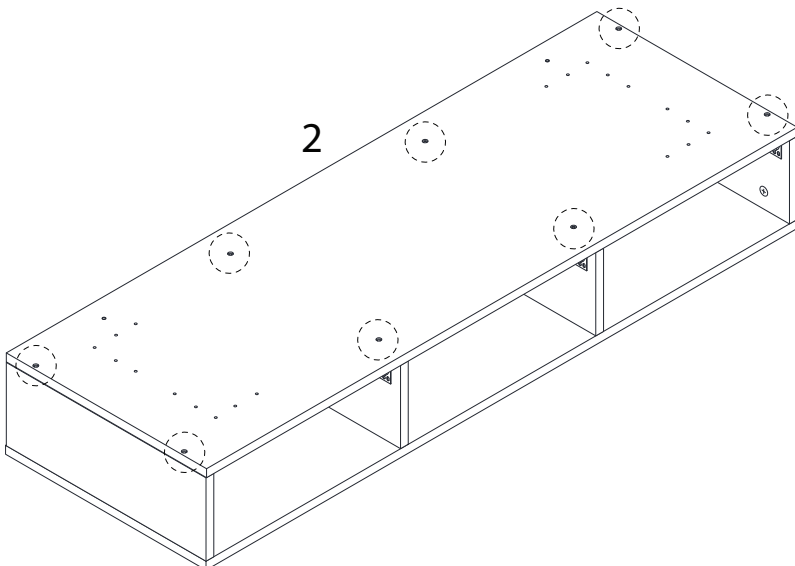
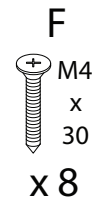
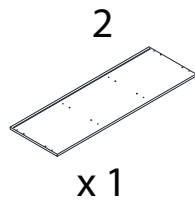
x 1



9



10



11

I1

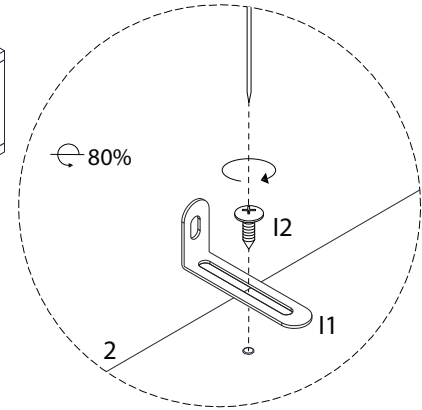
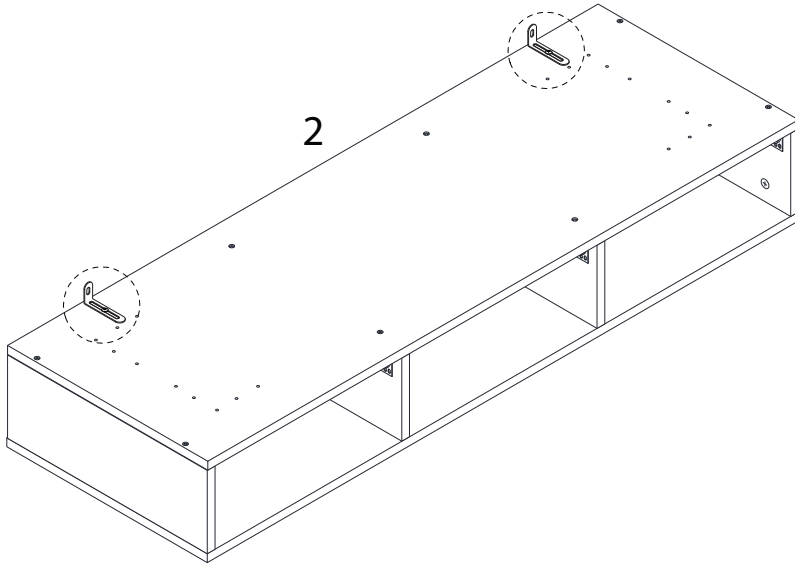


x 2

I2



x 2



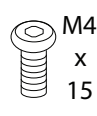
12

6



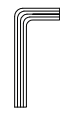
x 4

H

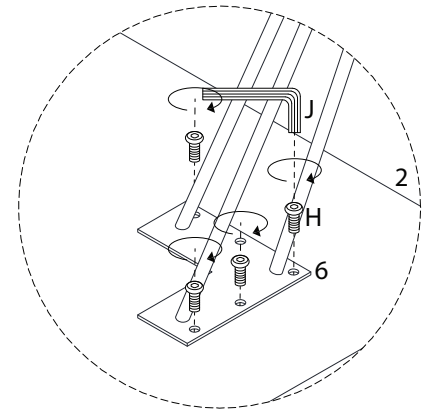
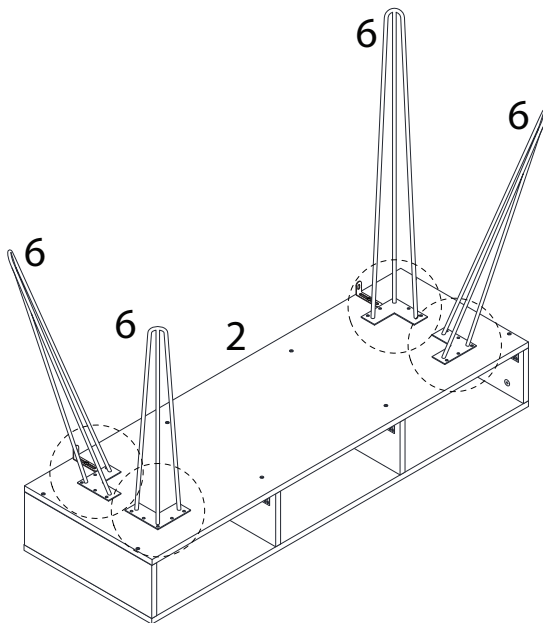


x 16

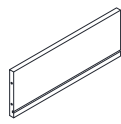
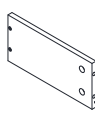
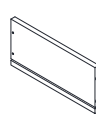
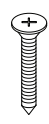
J

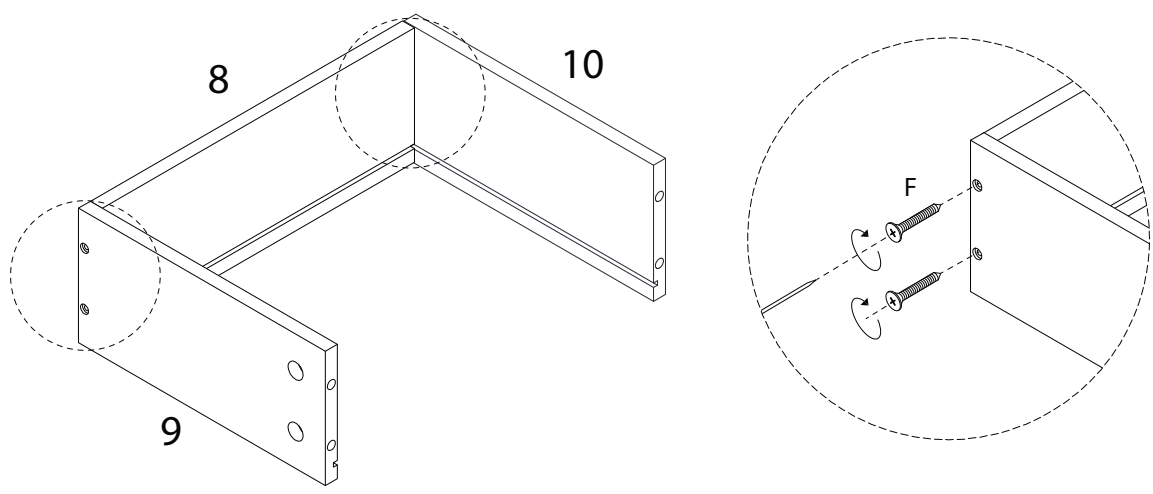


x 1

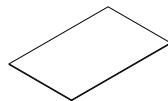


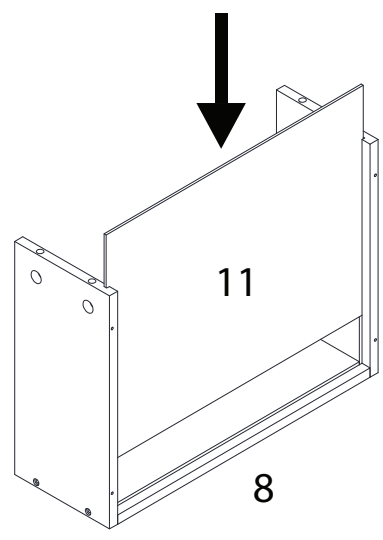
13 x 3

<p>8</p>  <p>x 1</p>	<p>9</p>  <p>x 1</p>	<p>10</p>  <p>x 1</p>	<p>F</p>  <p>M4 x 30</p> <p>x 4</p>
---	---	---	--



14 x 3

<p>11</p>  <p>x 1</p>
--

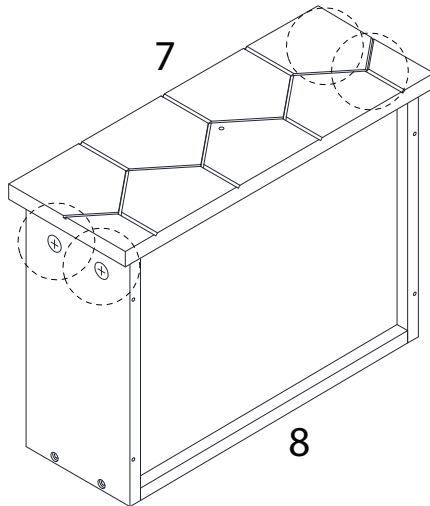


15 x 3

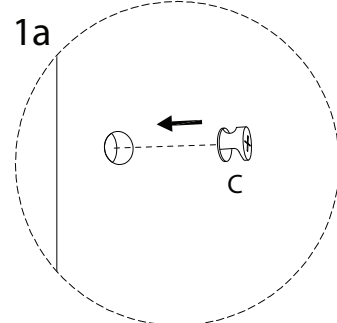
C



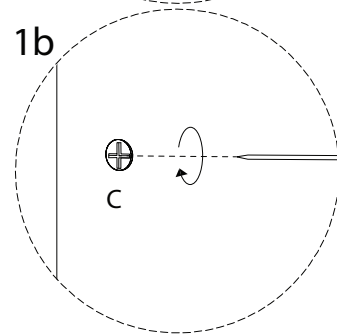
x 4



1a

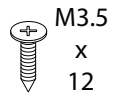


1b



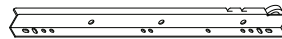
16 x 3

E



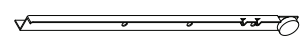
x 6

DL

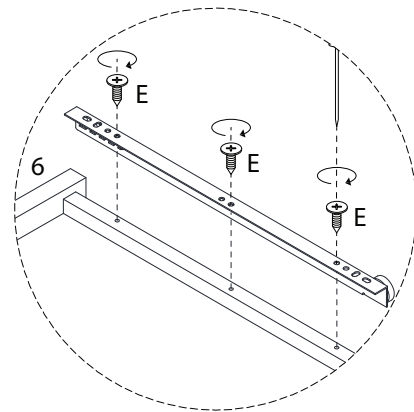
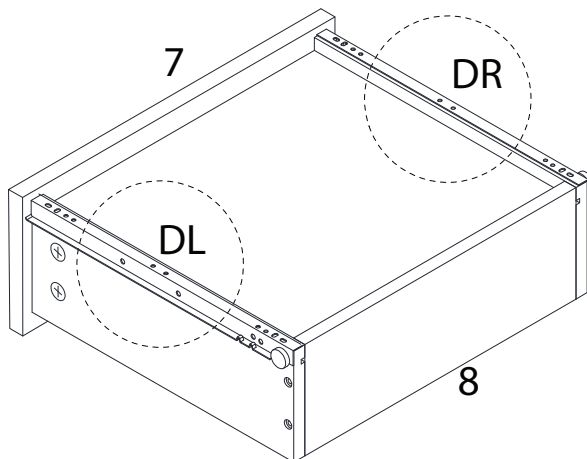


x 1

DR

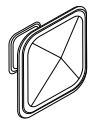


x 1



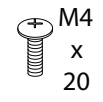
17 x 3

D1

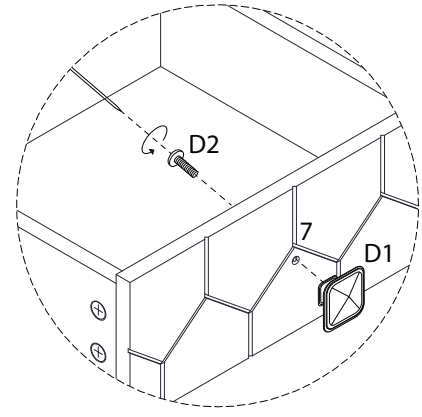
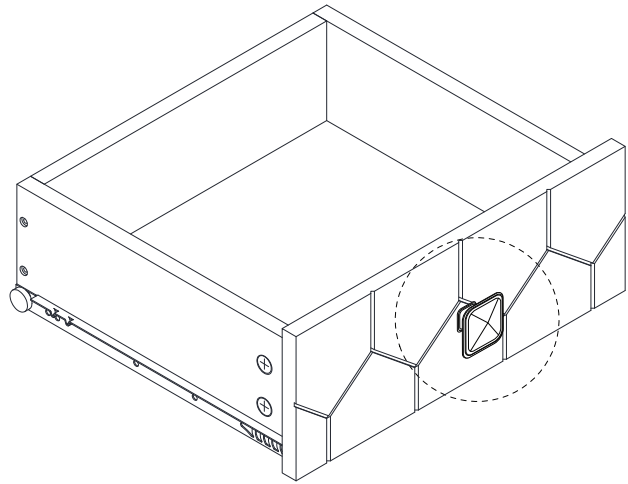


x 1

D2



x 1



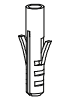
18

K1

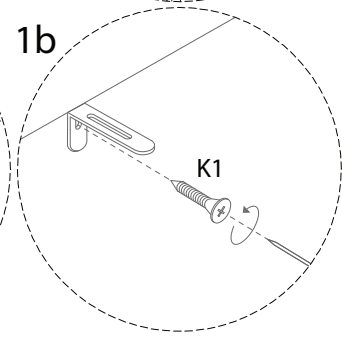
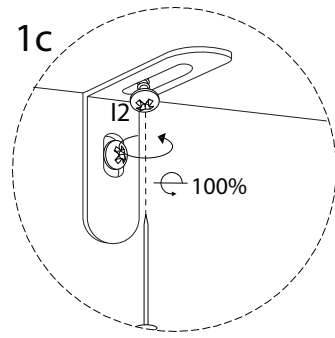
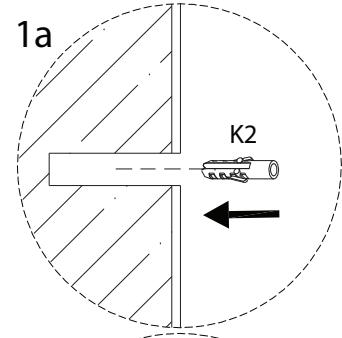
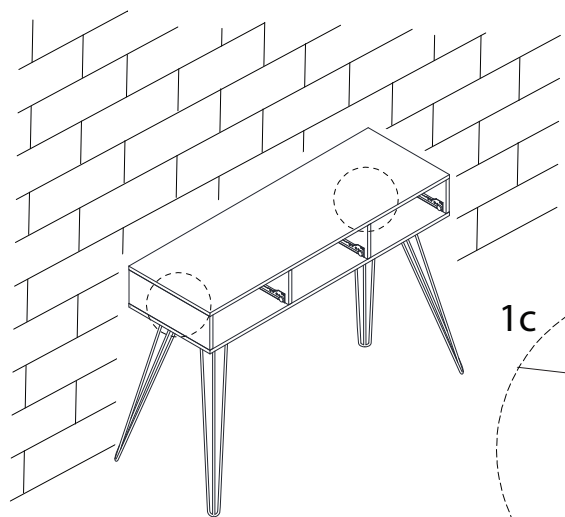


x 2

K2



x 2



19

