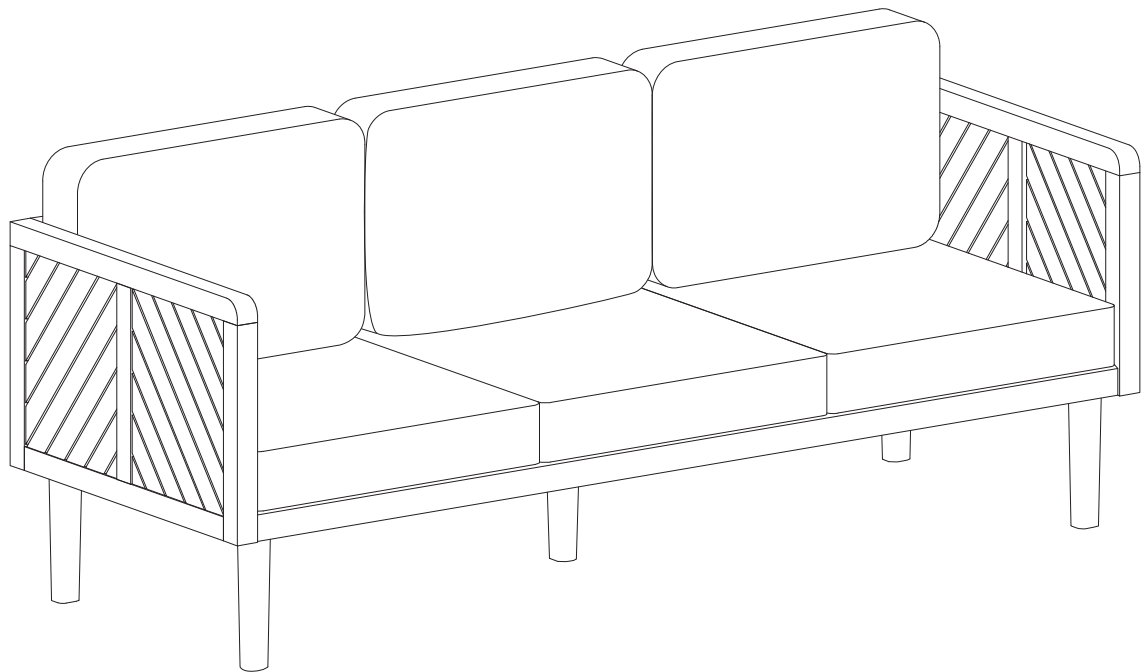


BARATTI



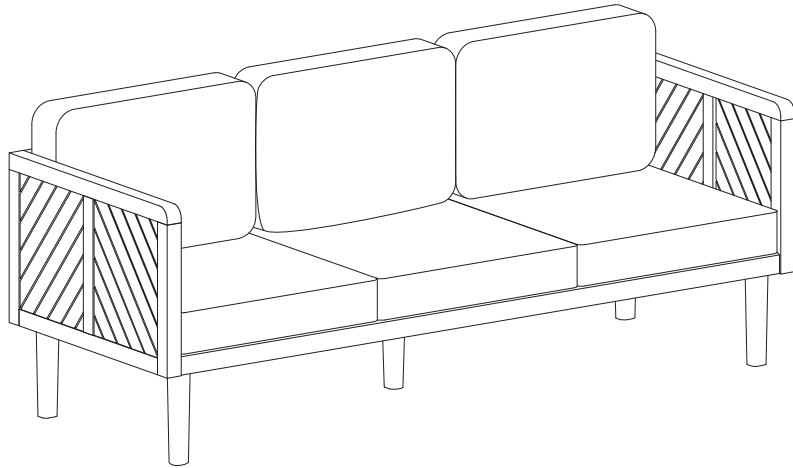
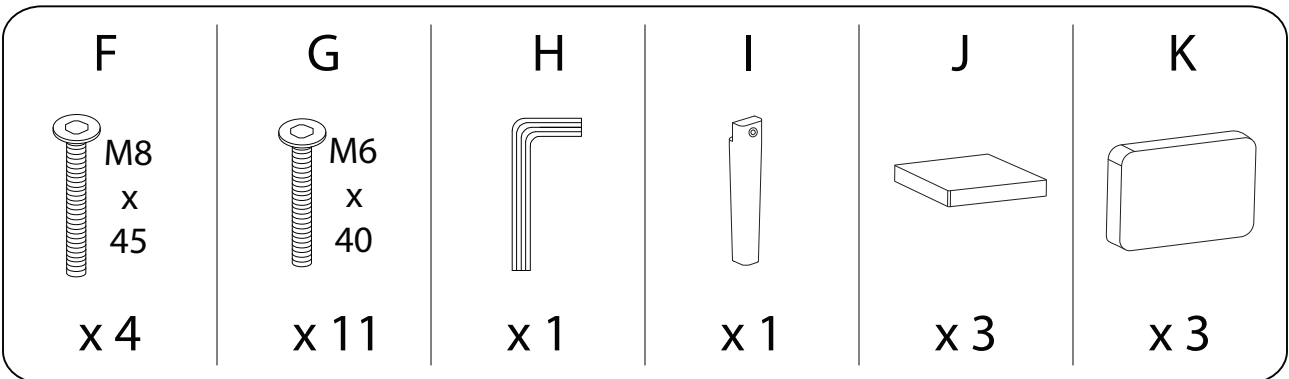
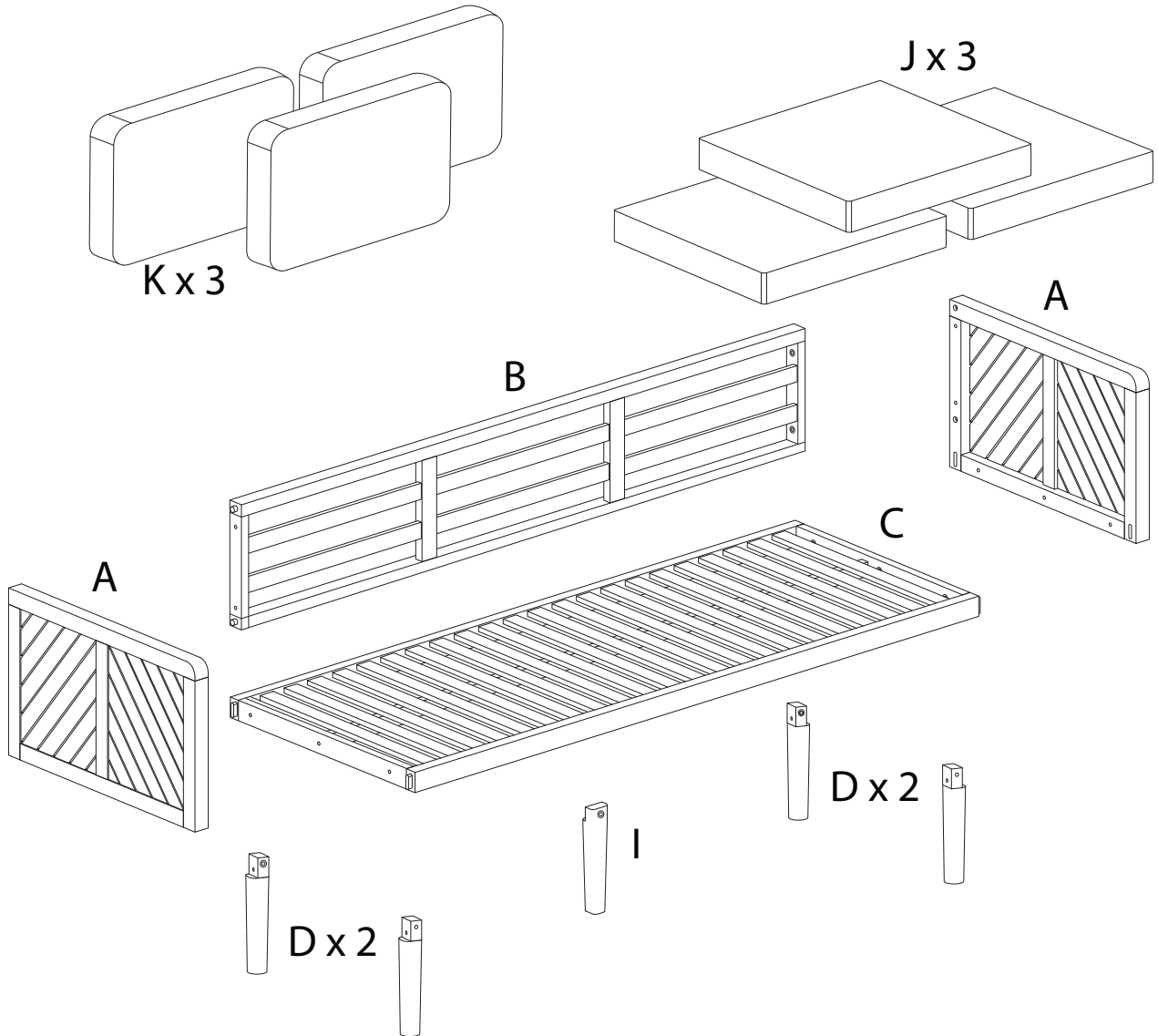
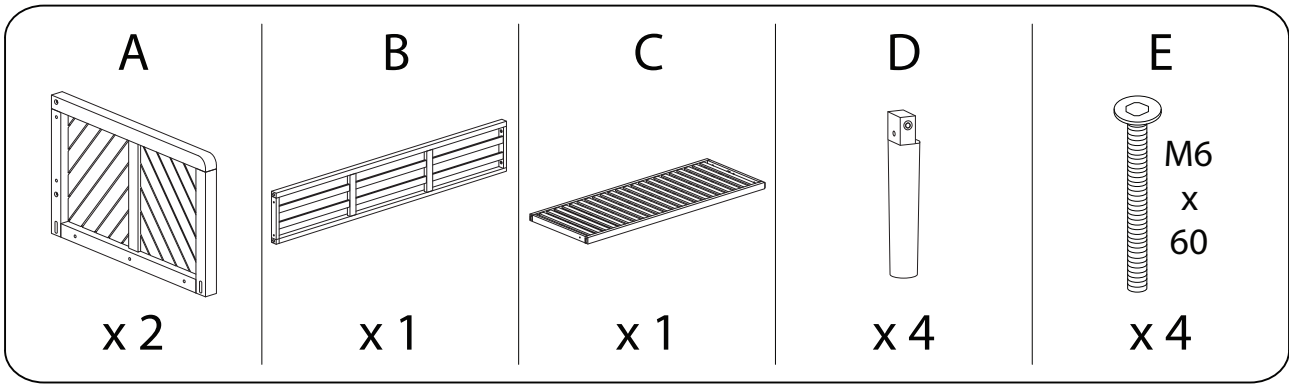


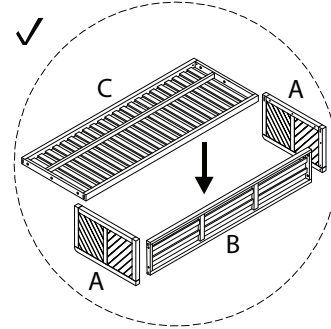
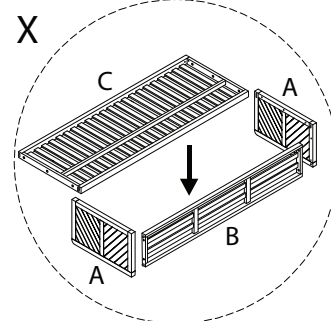
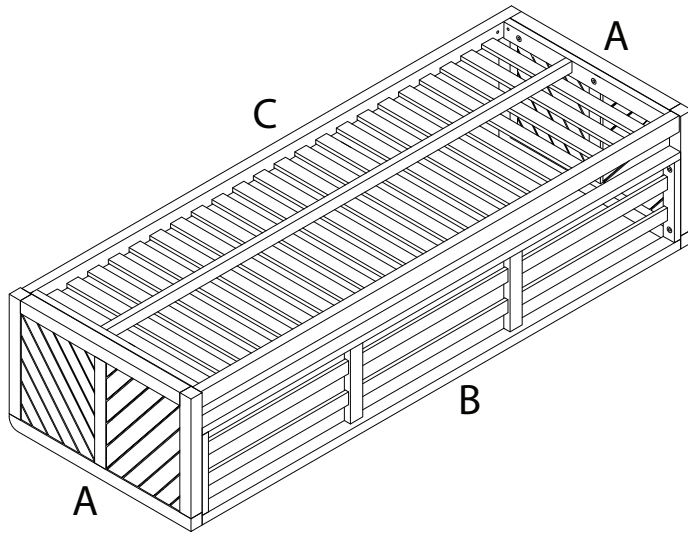
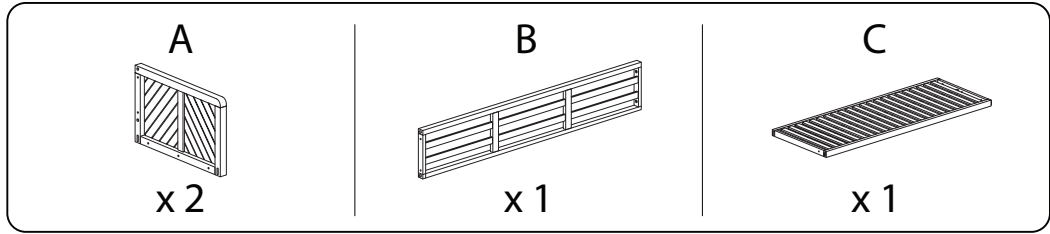
Diagram illustrating assembly instructions and safety warnings:

- Warning 1:** A triangle with an exclamation mark points to a box containing an L-shaped bracket and a crossed-out power drill, indicating that a power drill should not be used for this step.
- Warning 2:** A triangle with an exclamation mark points to a box containing a rectangular block being placed on a surface and a crossed-out block being lifted, indicating that the block should be placed on a soft surface and not lifted.
- Time:** A clock icon with a circular arrow indicates a duration of 15 minutes.
- Personnel:** An icon of a person indicates that 2 people are required for this step.

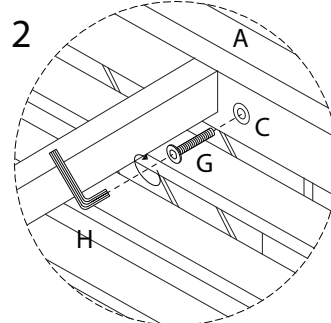
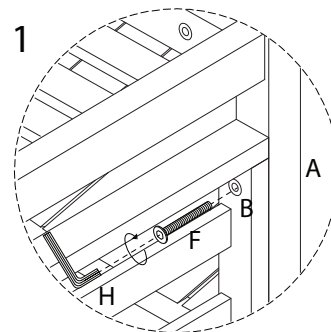
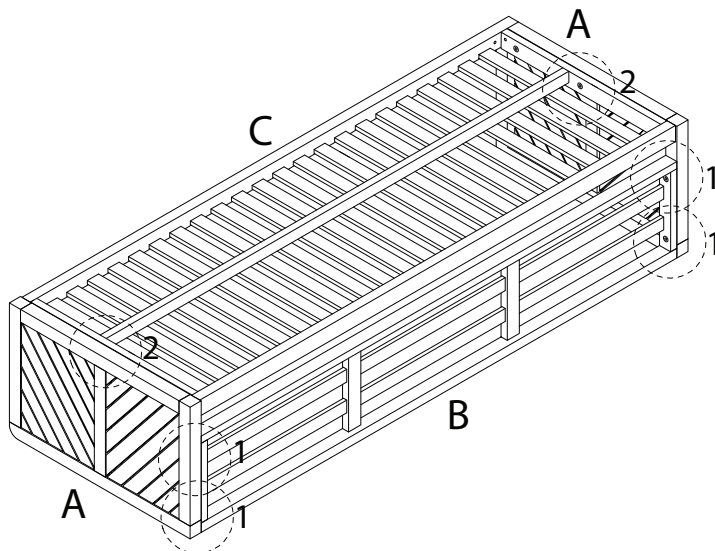
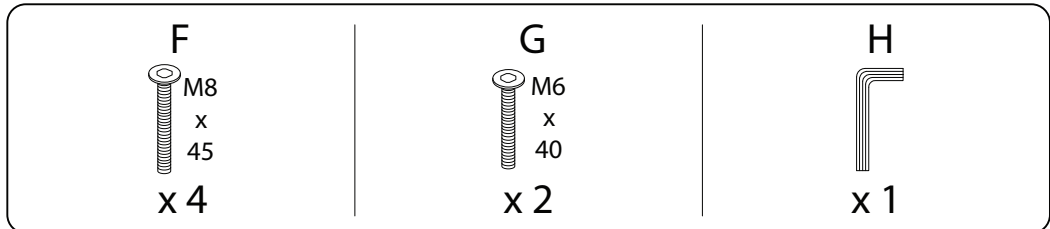
1/5



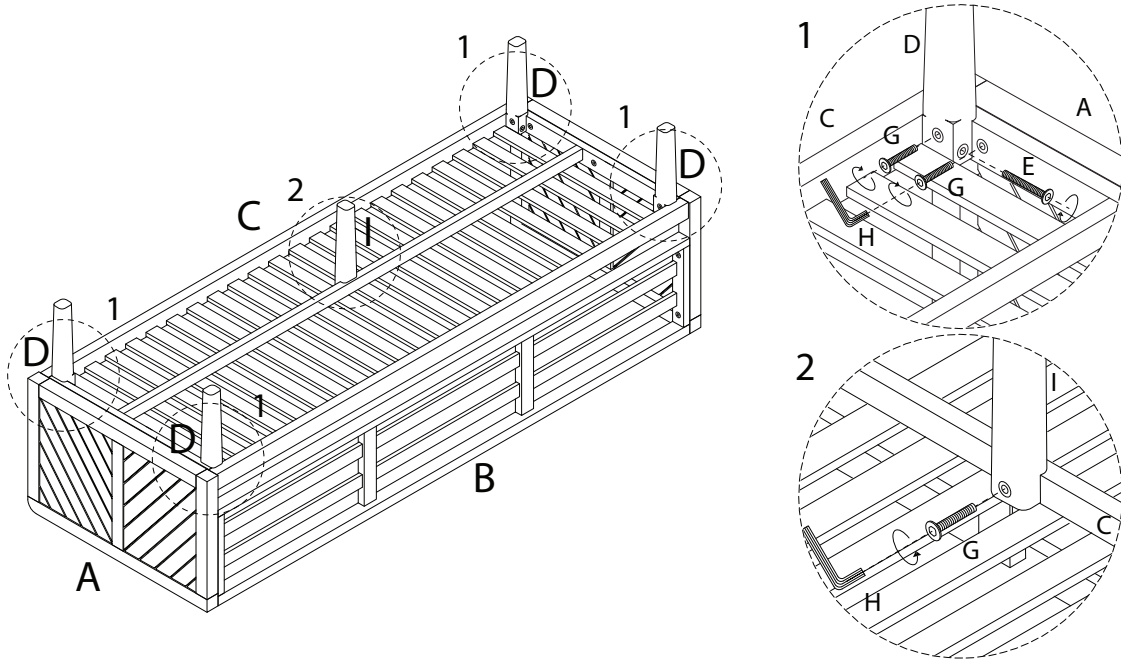
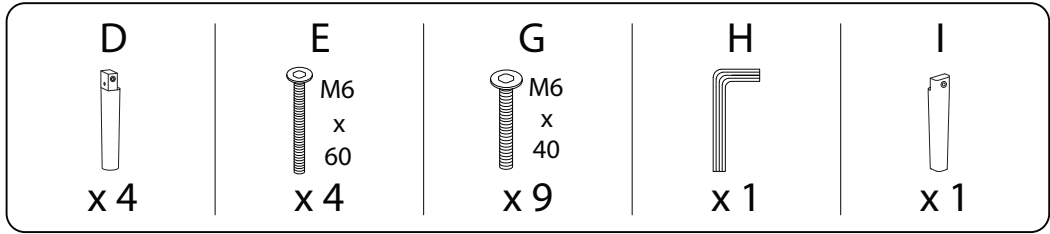
1



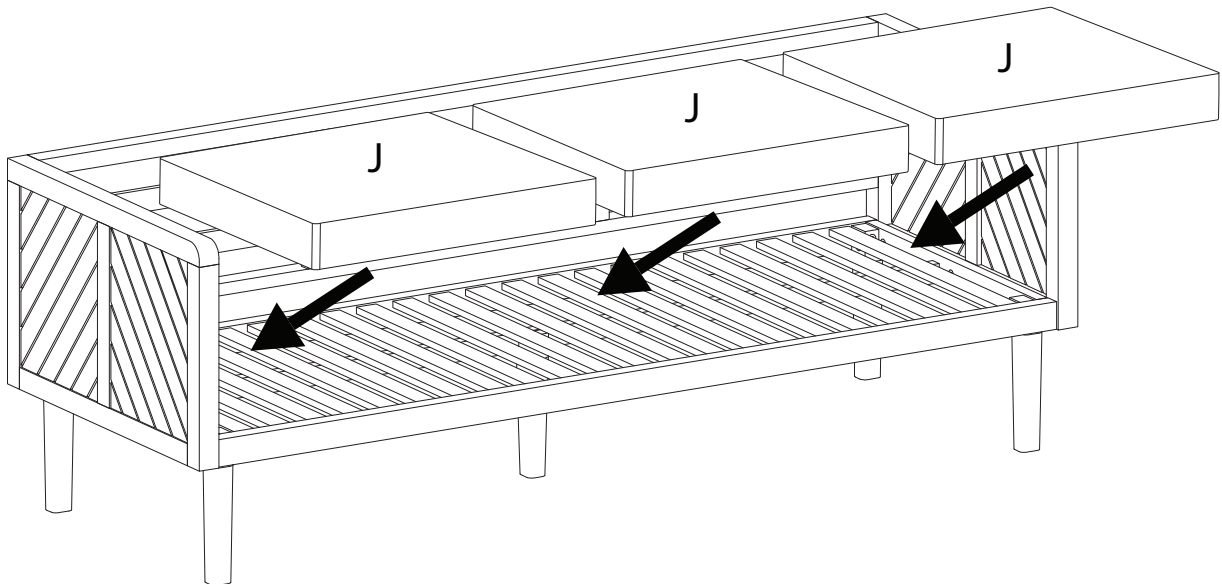
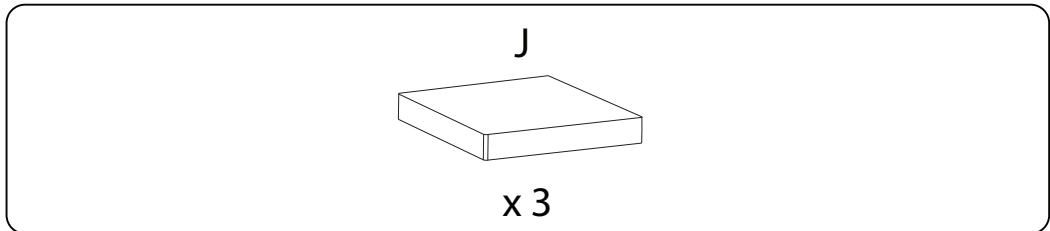
2



3

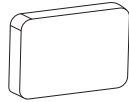


4



5

K



x 3

