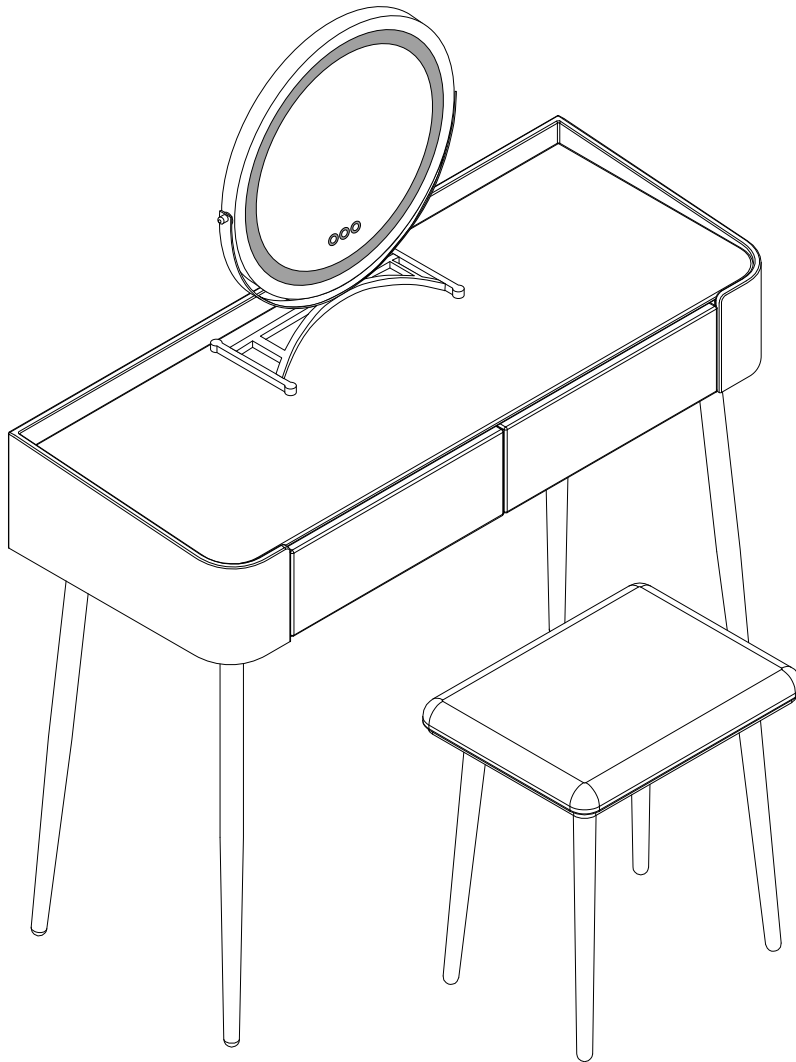
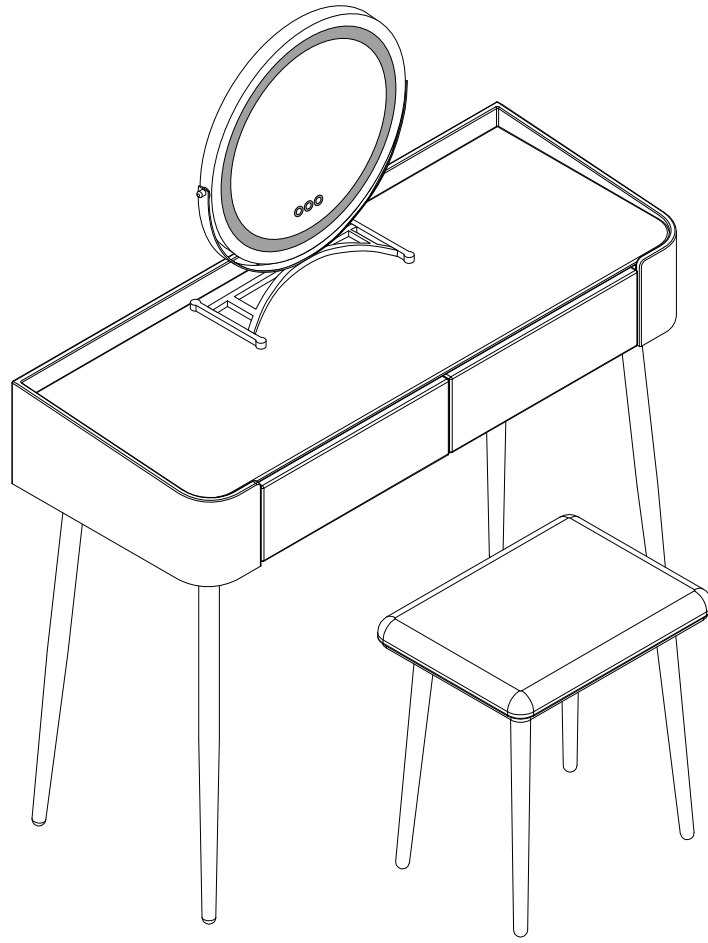


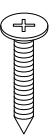

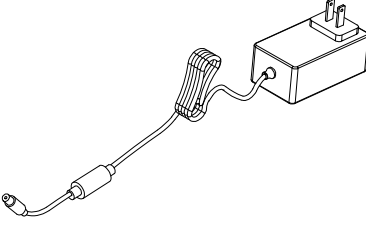
SURIN

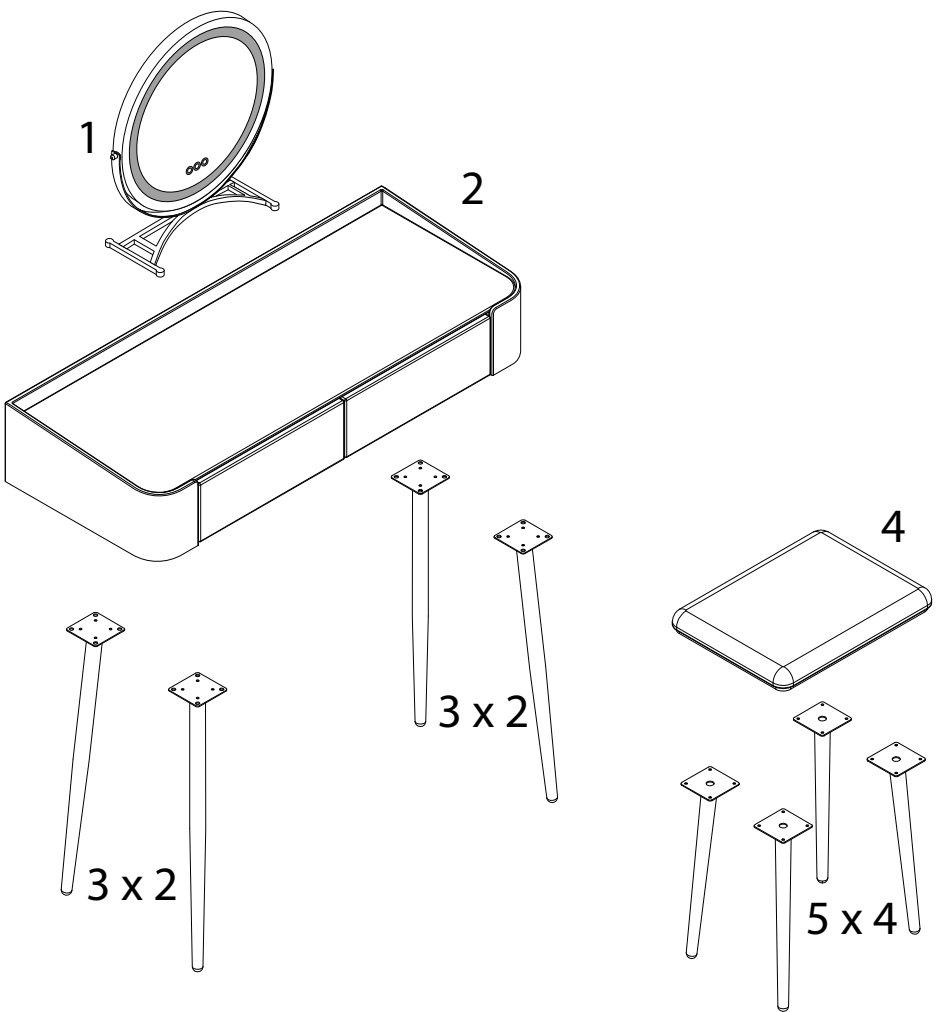


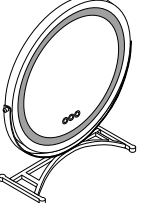
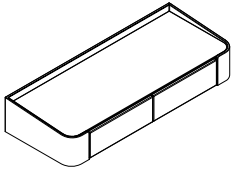
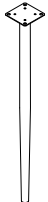
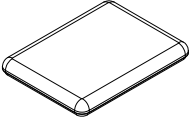
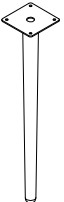


Assembly instructions for step 1/4:

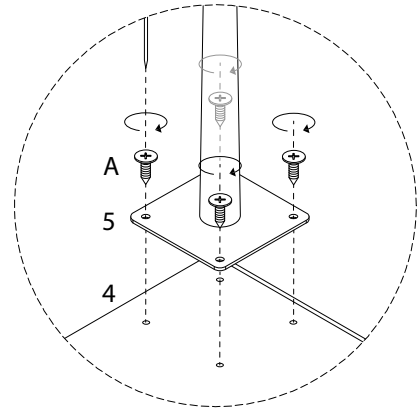
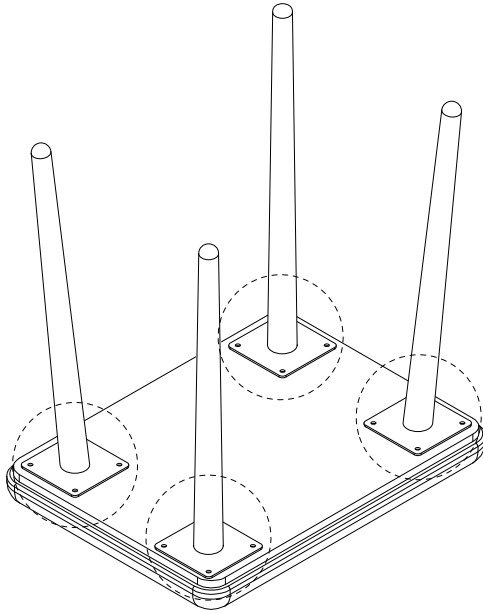
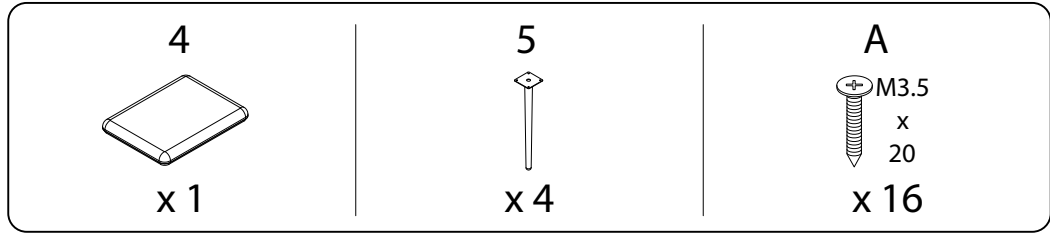
- Tools: A screwdriver and a power drill are shown in a circular inset.
- Warning: A triangle with an exclamation mark indicates a warning.
- Time: A clock icon indicates a 30-minute duration.
- Personnel: A person icon and the number '2' indicate that two people are required for assembly.
- Diagram: A diagram shows a rectangular block being placed on a surface, with a screw being inserted into it.

<p>A</p>  <p>M3.5 x 20</p> <p>x 16</p>	<p>B</p>  <p>M5 x 16</p> <p>x 16</p>	<p>C</p>  <p>x 1</p>
---	---	---

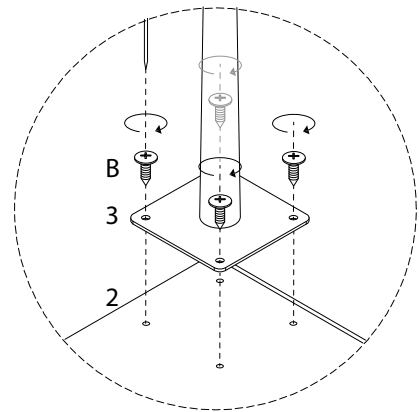
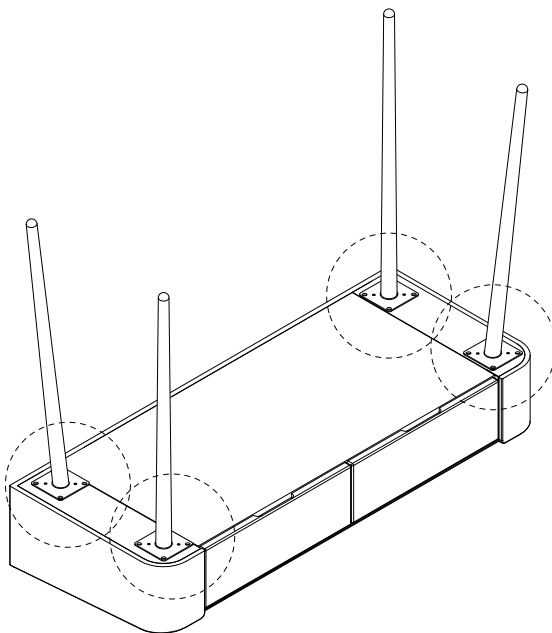
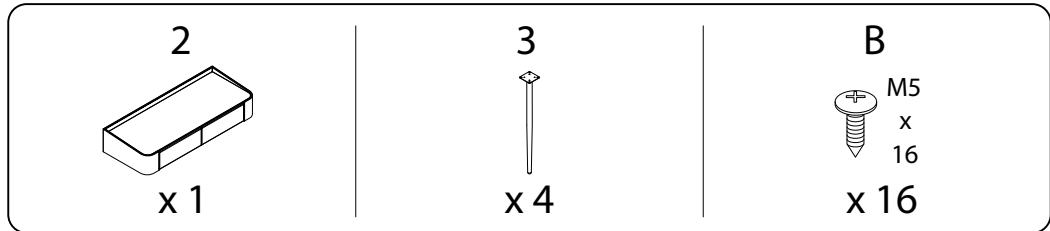


<p>1</p>  <p>x 1</p>	<p>2</p>  <p>x 1</p>	<p>3</p>  <p>x 4</p>	<p>4</p>  <p>x 1</p>	<p>5</p>  <p>x 4</p>
---	---	---	--	---

1



2



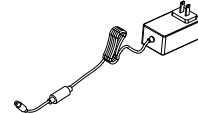
3

1

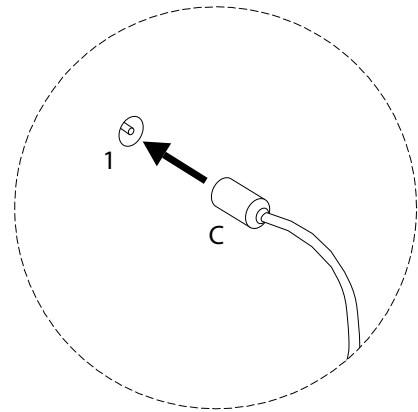
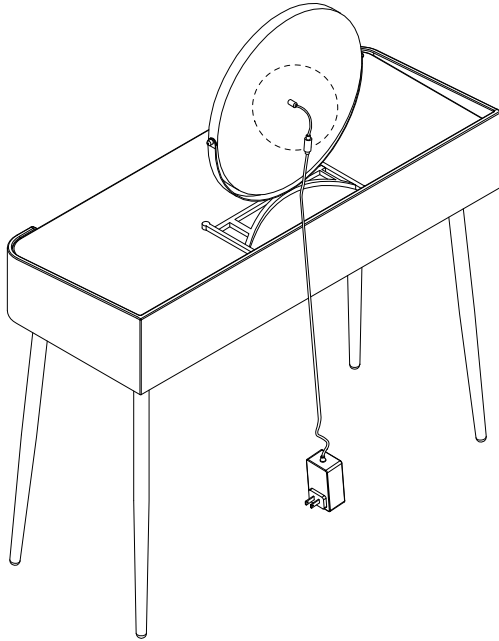


x 1

C



x 1



4

