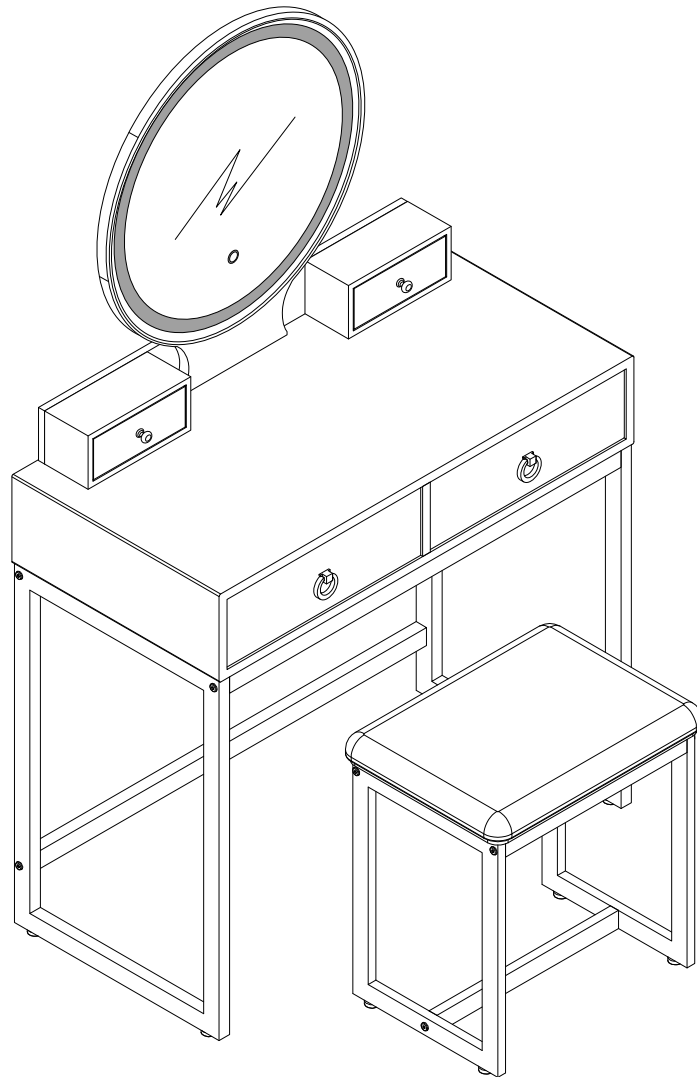
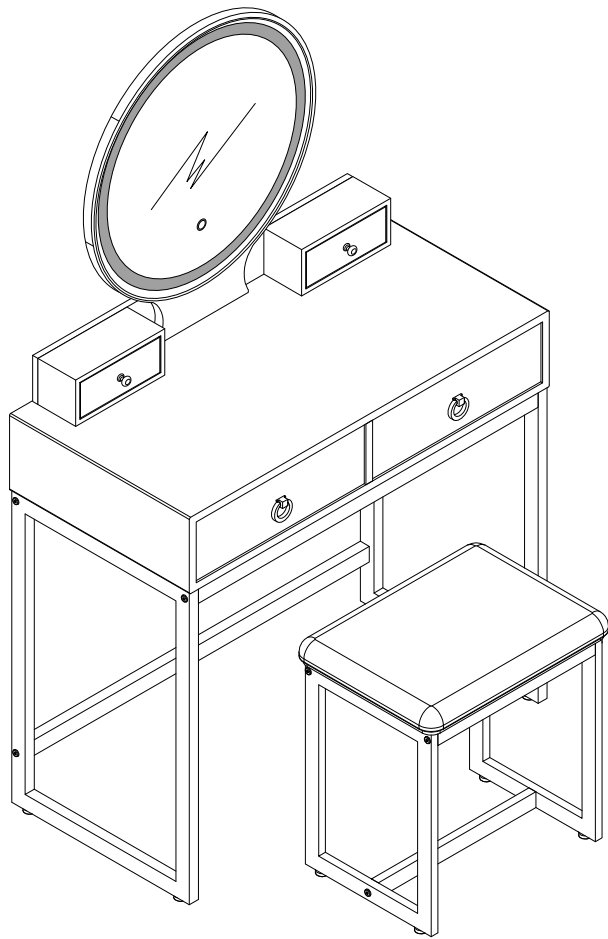


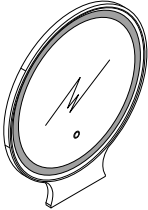
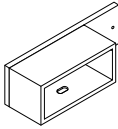
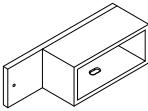
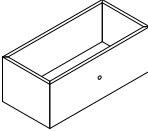
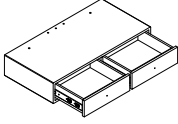
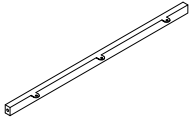
AUXON

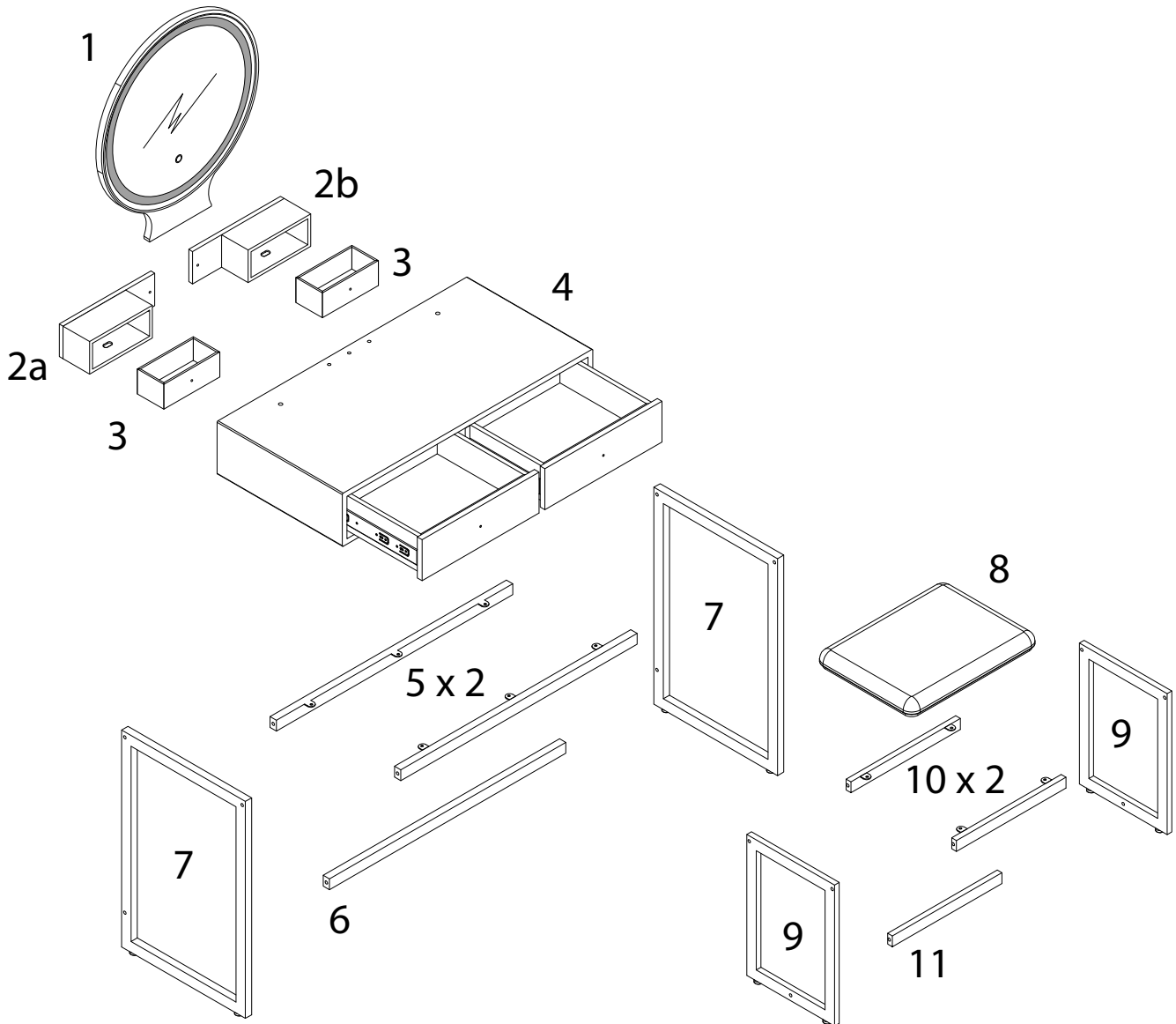


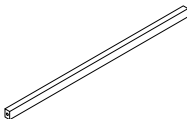
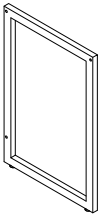
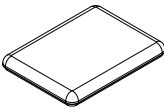
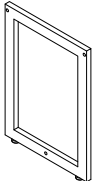
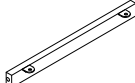
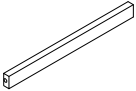


Assembly instructions for step 1/9:

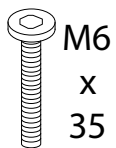
- Tools:** A circular icon contains a screwdriver and an L-shaped hex key. Next to it is a power drill.
- Warning:** A triangle with an exclamation mark.
- Time:** A clock icon with the text "30'" below it.
- Personnel:** A stick figure icon with the number "2" below it.
- Diagram:** A circular icon shows a rectangular block being placed on a surface. To the right, a 3D perspective drawing shows the block being secured with a screw from underneath.
- Warning:** A triangle with an exclamation mark.

1	2a	2b	3	4	5
					
x 1	x 1	x 1	x 2	x 1	x 2



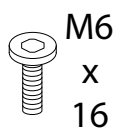
6	7	8	9	10	11
					
x 1	x 2	x 1	x 2	x 2	x 1

A



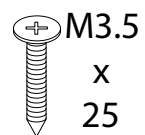
x 12

B



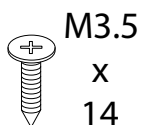
x 2

C



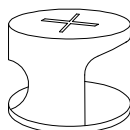
x 2

D



x 10

E



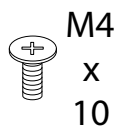
x 3

F



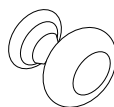
x 3

G



x 2

H



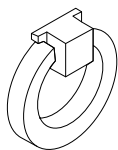
x 2

I



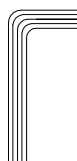
x 2

J



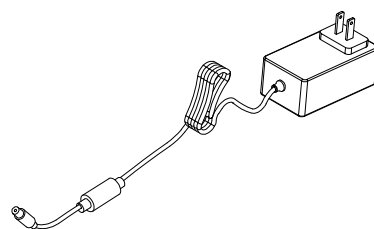
x 2

K



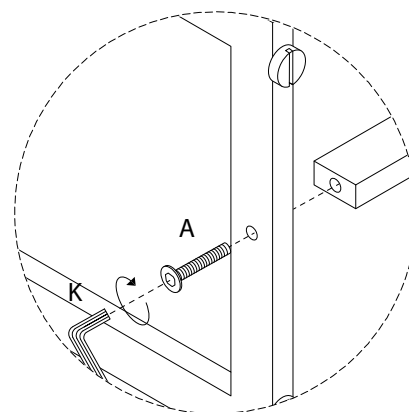
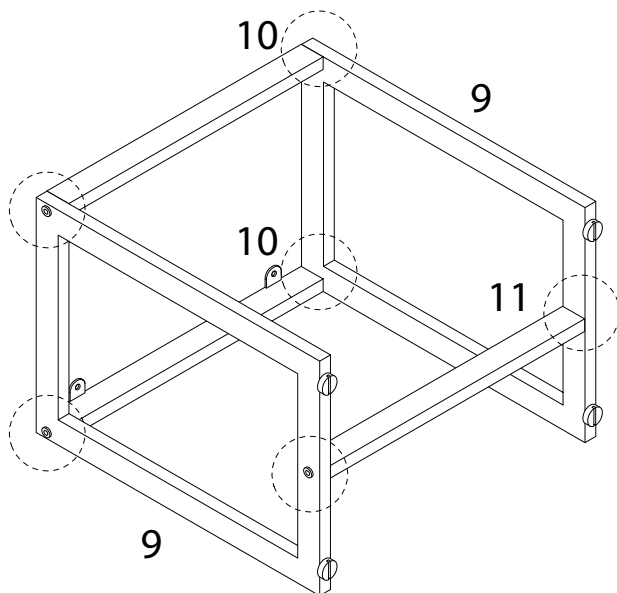
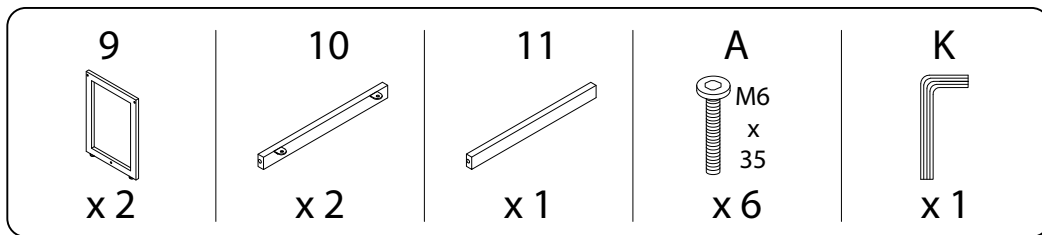
x 1

L

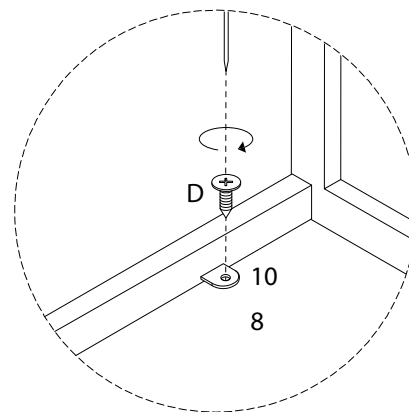
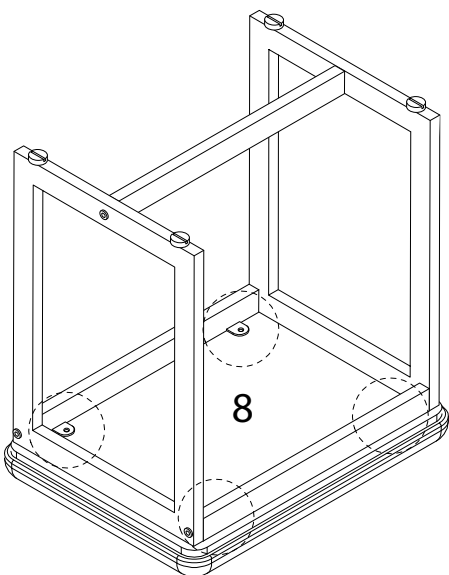
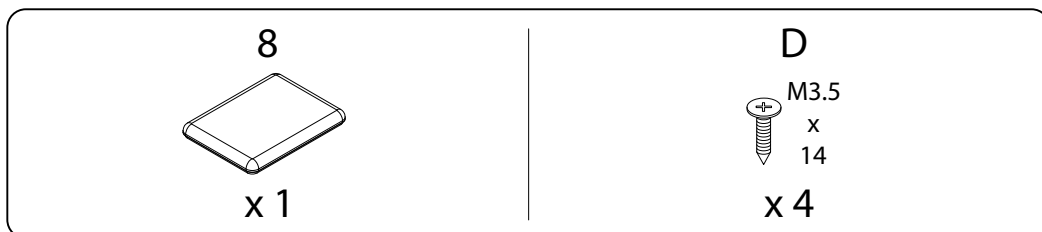


x 1

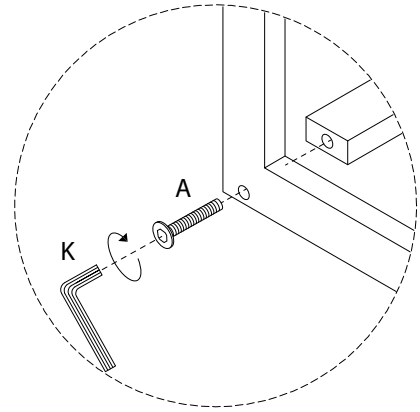
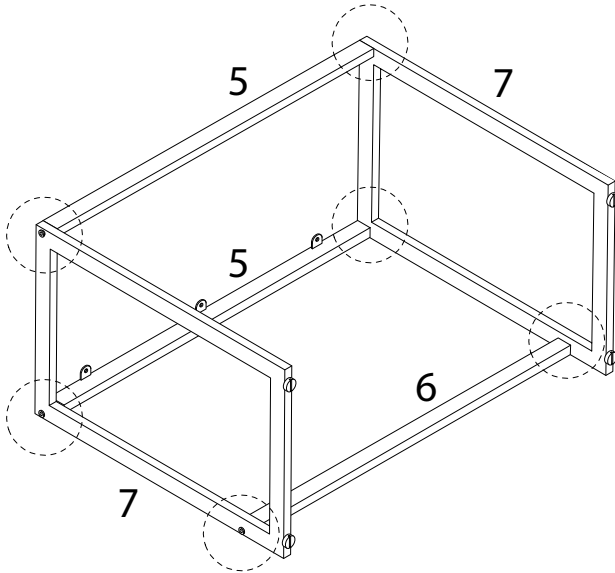
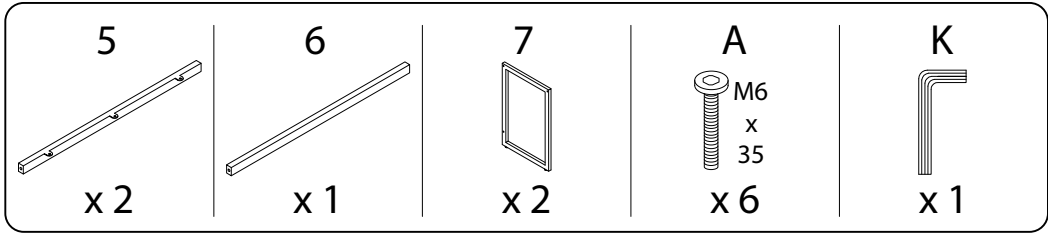
1



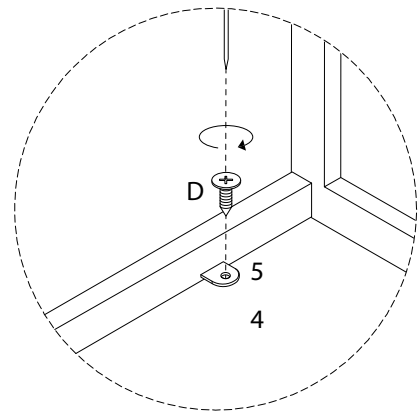
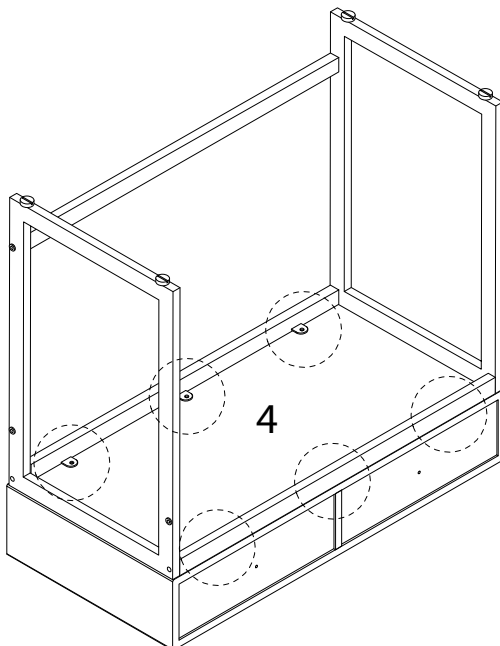
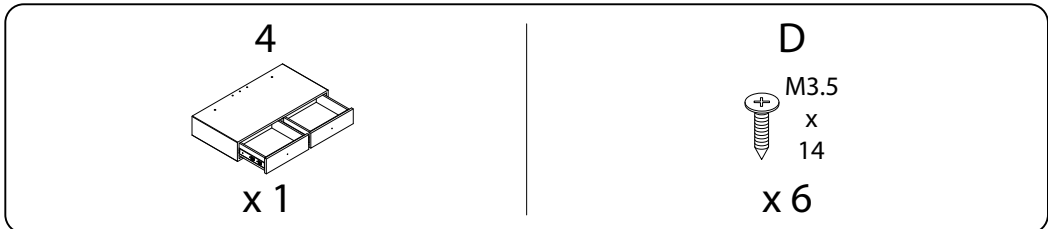
2



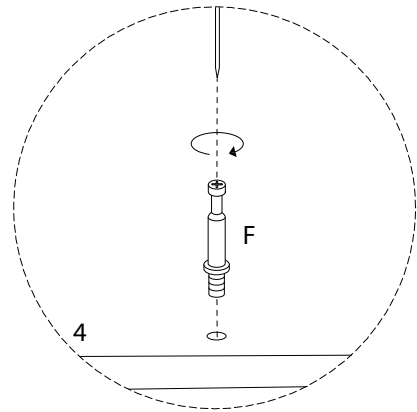
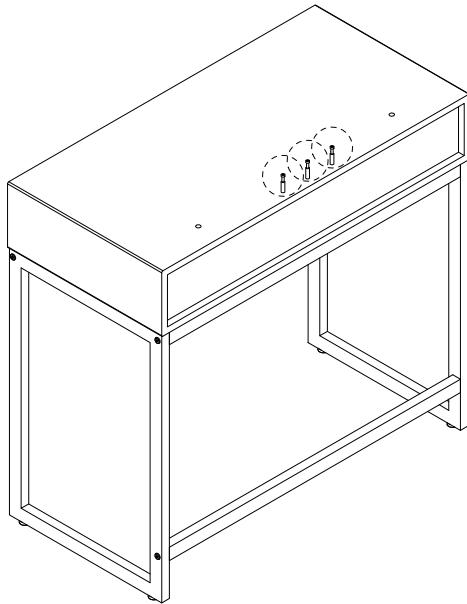
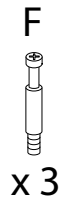
3



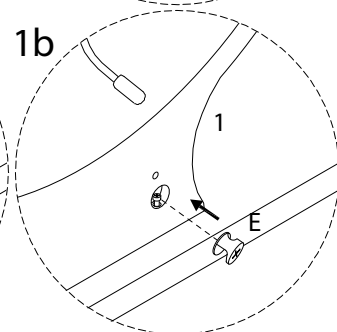
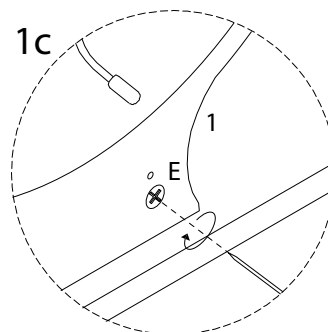
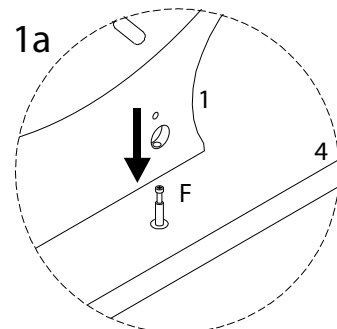
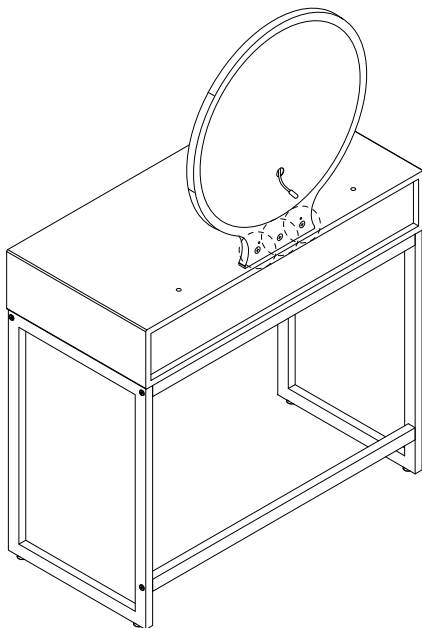
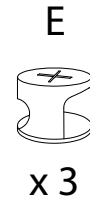
4



5



6



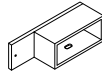
7

2a



x 1

2b



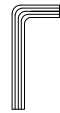
x 1

B

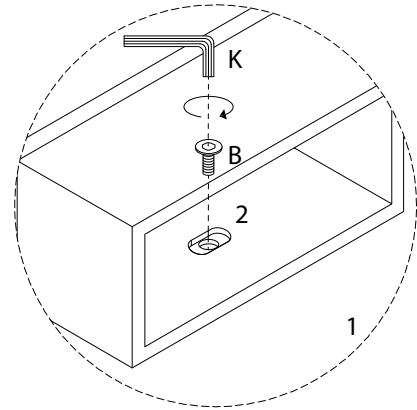
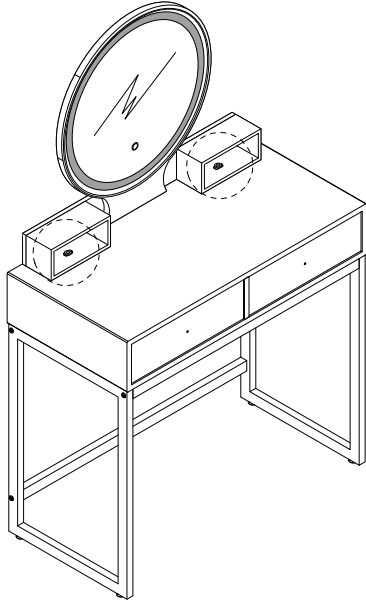


x 2

K

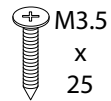


x 1

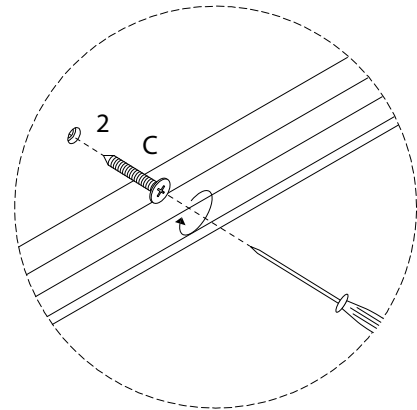
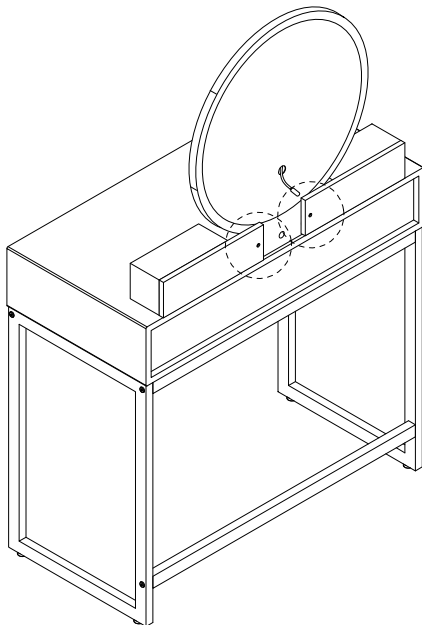


8

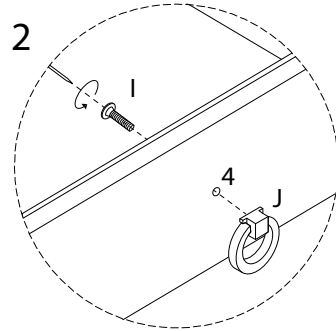
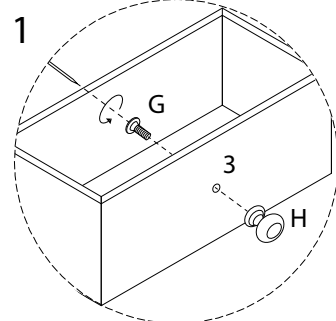
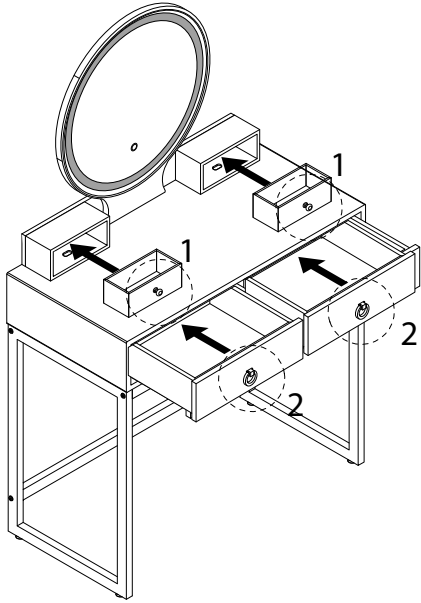
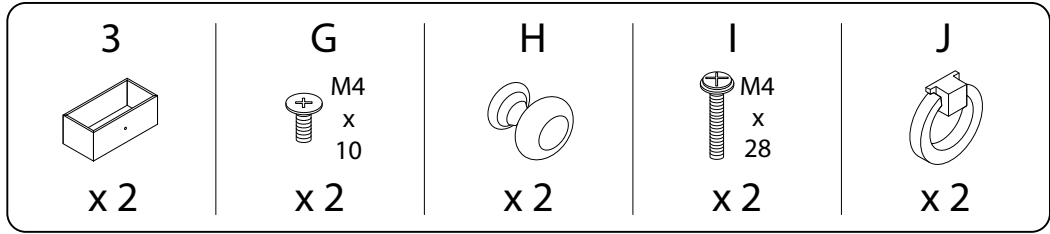
C



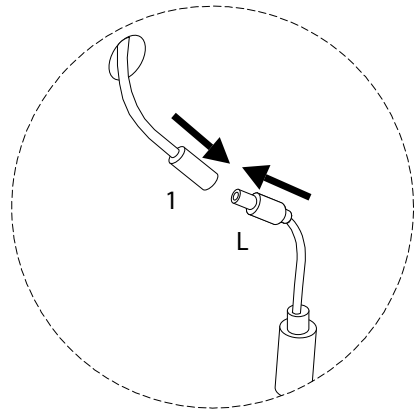
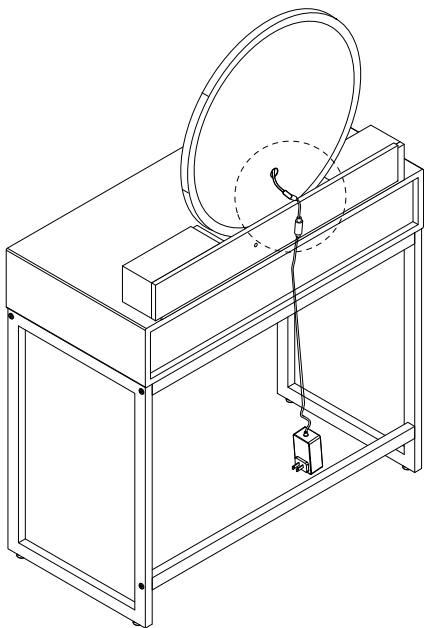
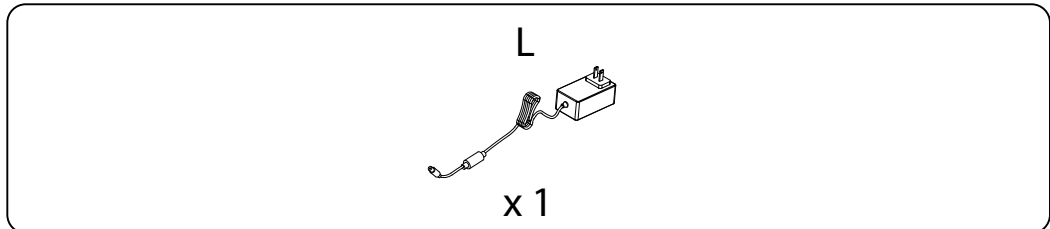
x 2



9



10



11

