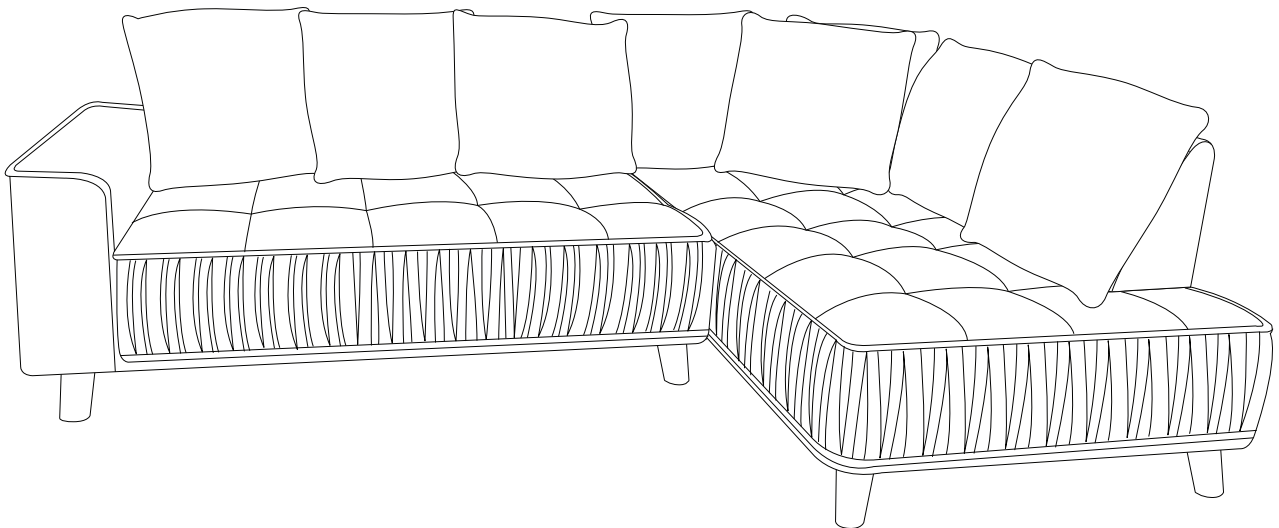
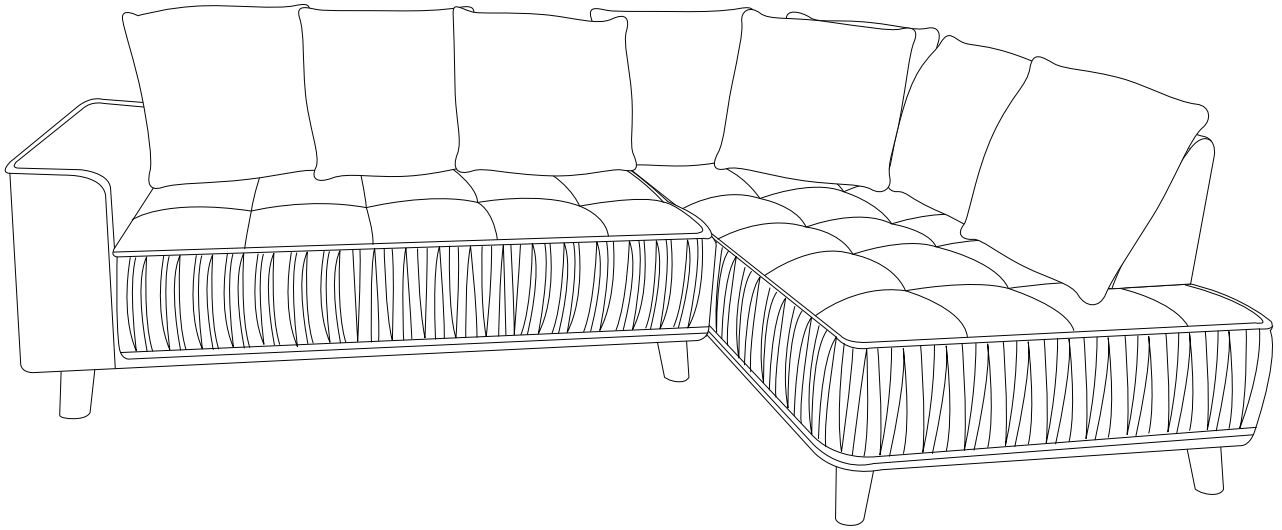


GRENA

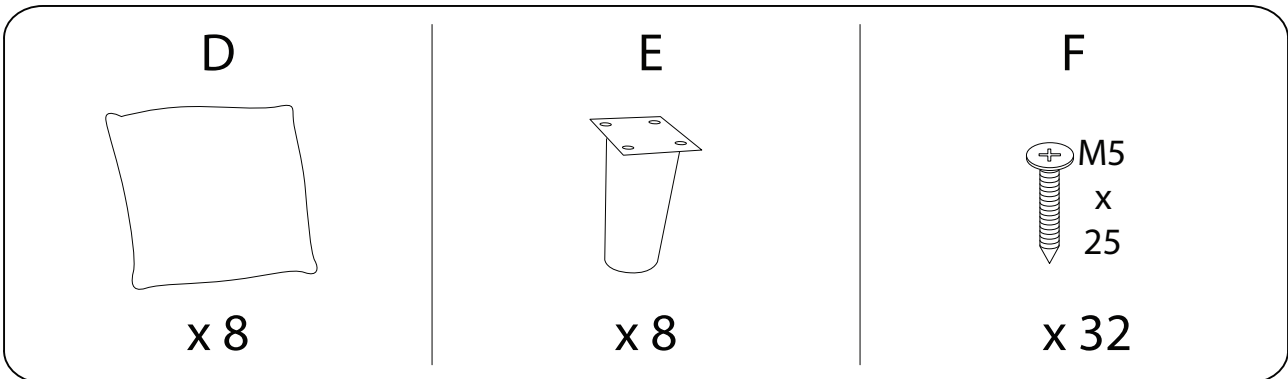
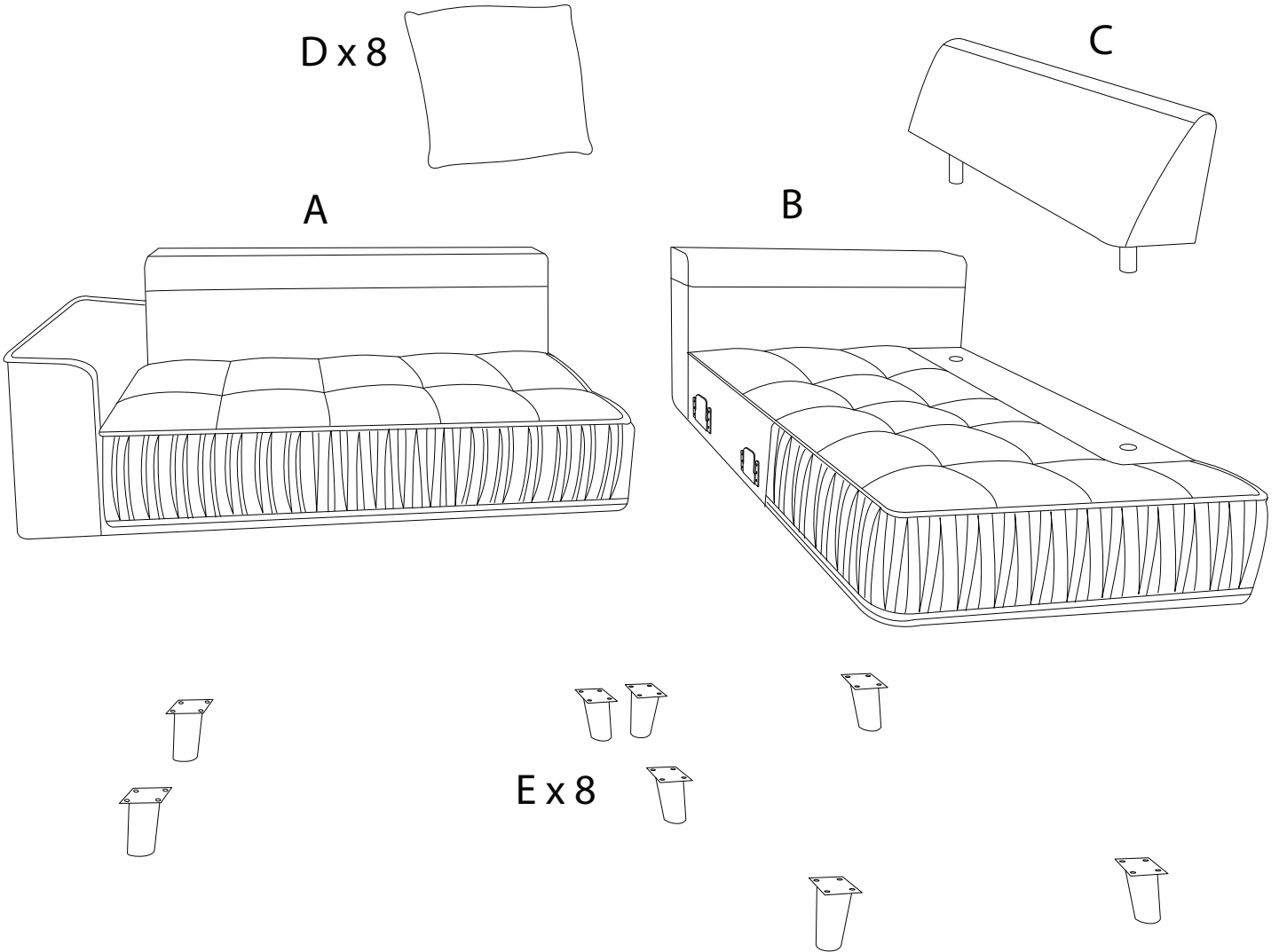
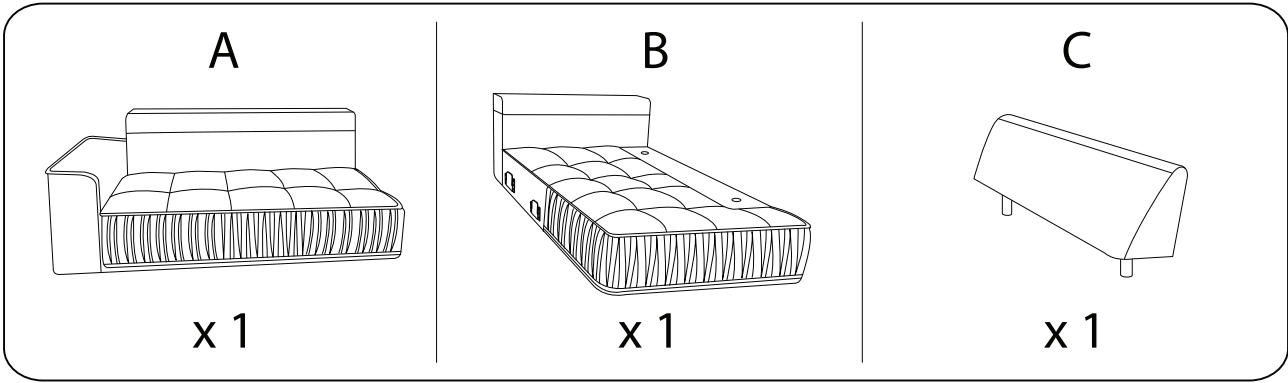




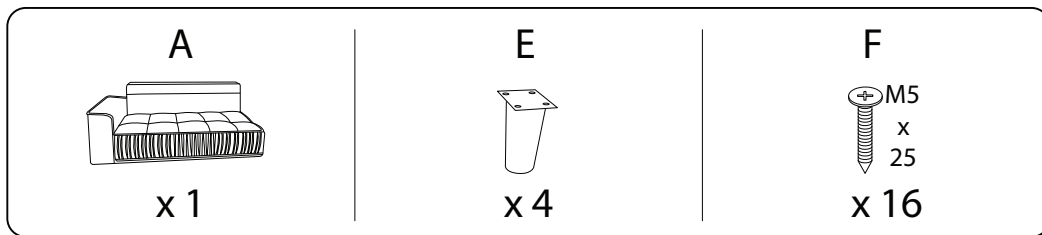
Assembly instructions for step 1/5:

- Tools:** A screwdriver is shown as the required tool. A power drill is shown with a diagonal line through it, indicating it is not to be used.
- Warning:** A triangle with an exclamation mark indicates a warning.
- Time:** A clock icon indicates that the estimated assembly time is 60 minutes.
- Personnel:** An icon of a person indicates that 2 people are required for assembly.

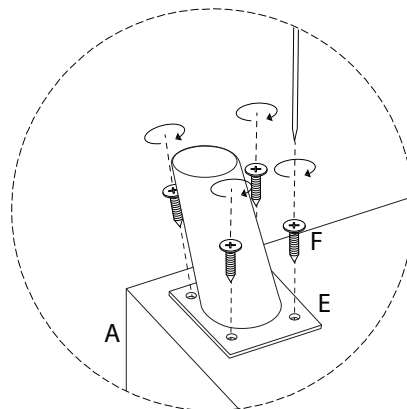
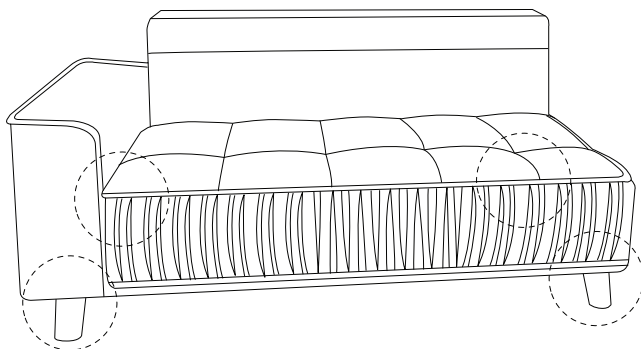
1/5



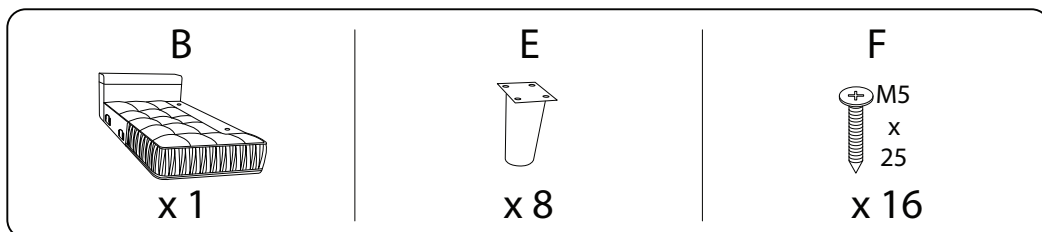
1



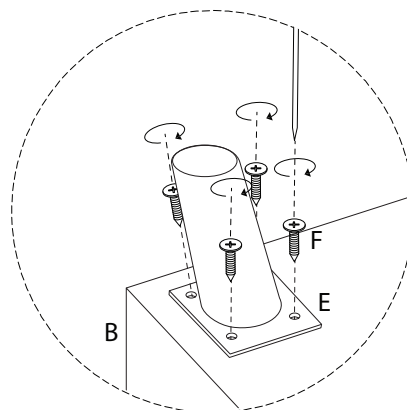
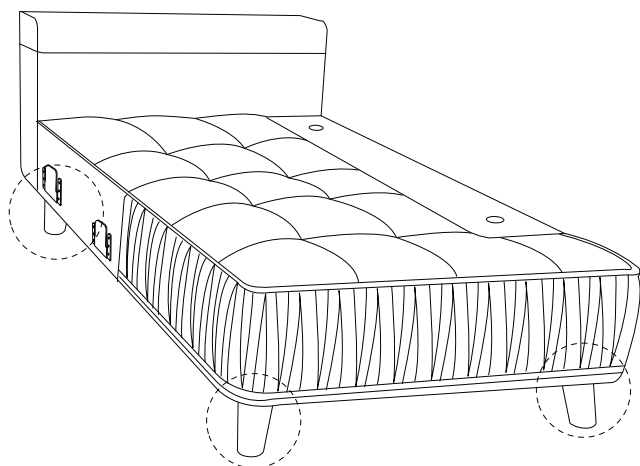
A



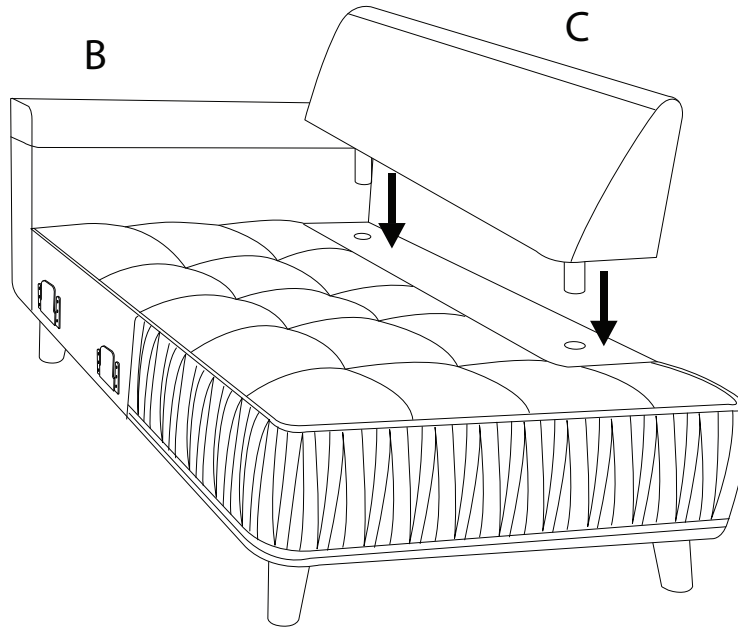
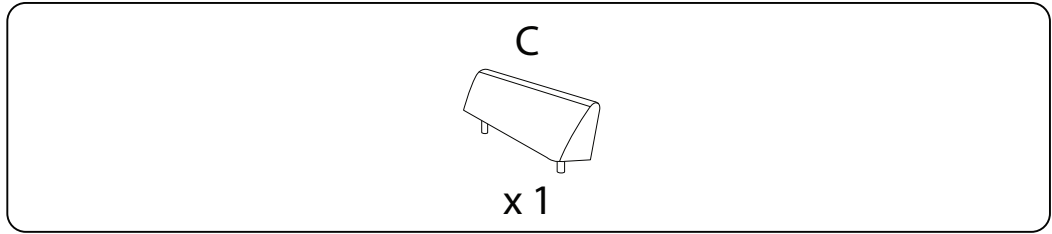
2



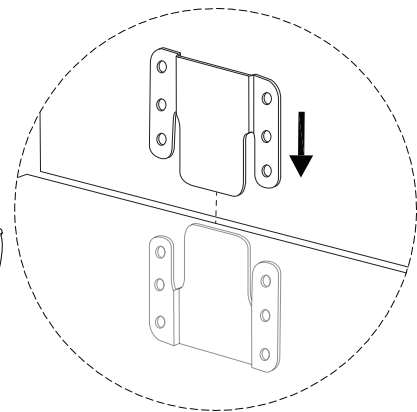
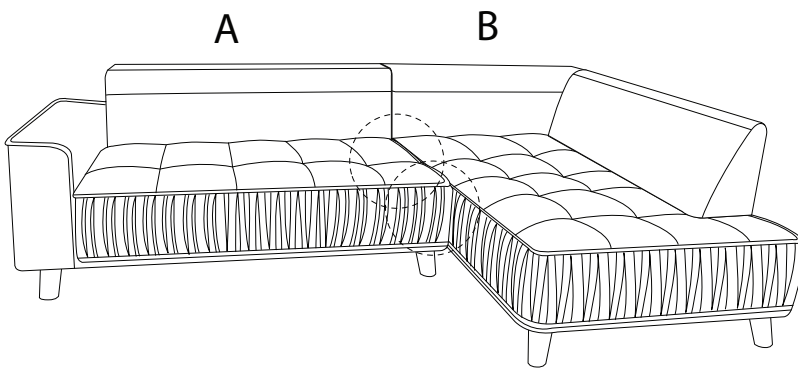
B



3



4



5

