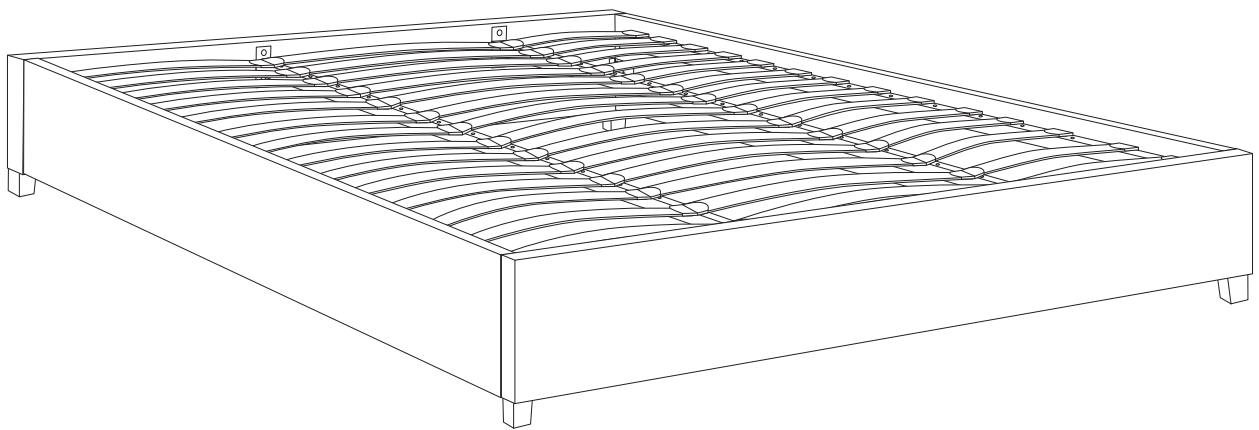
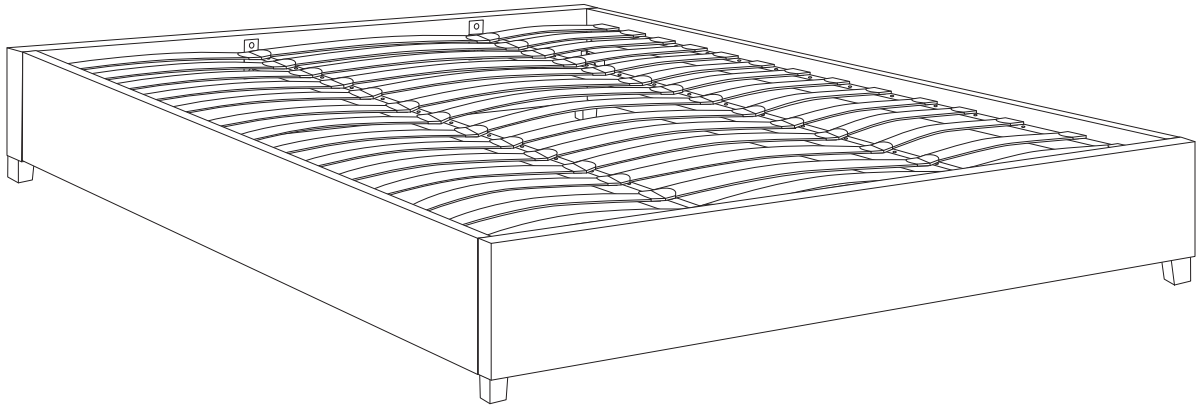
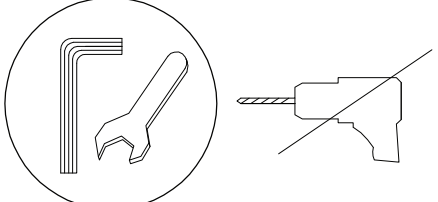

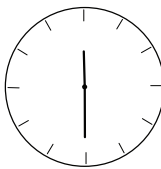
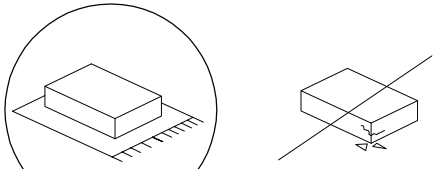

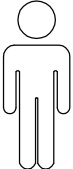
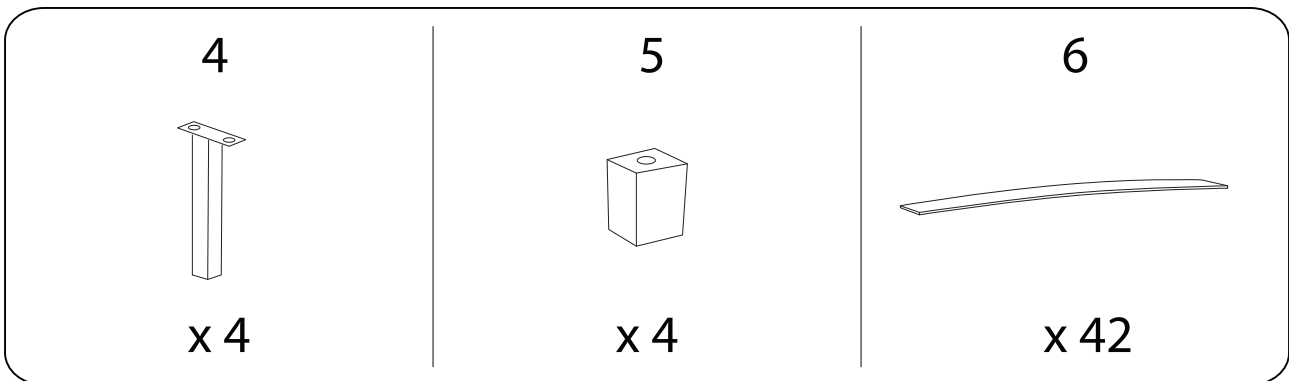
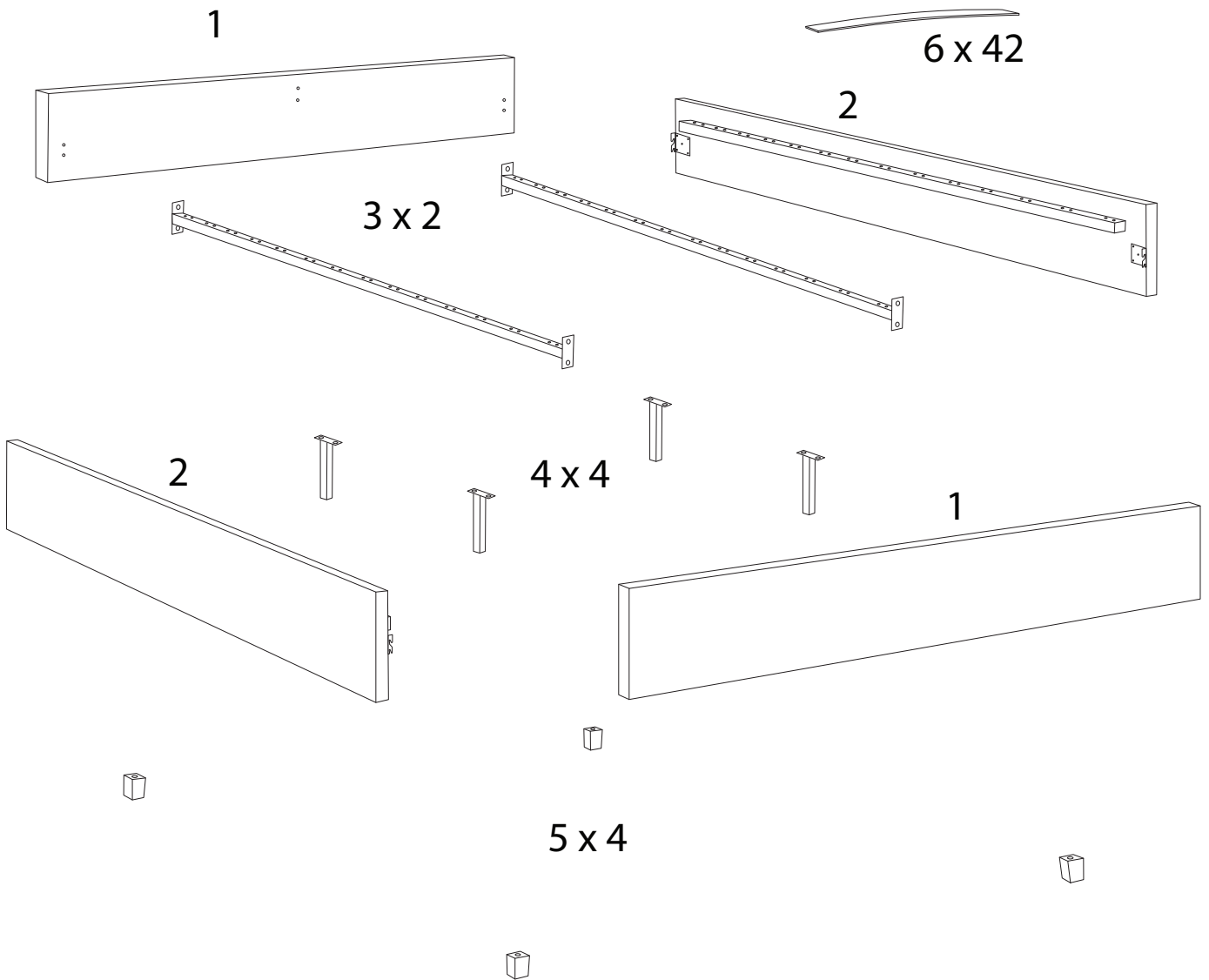
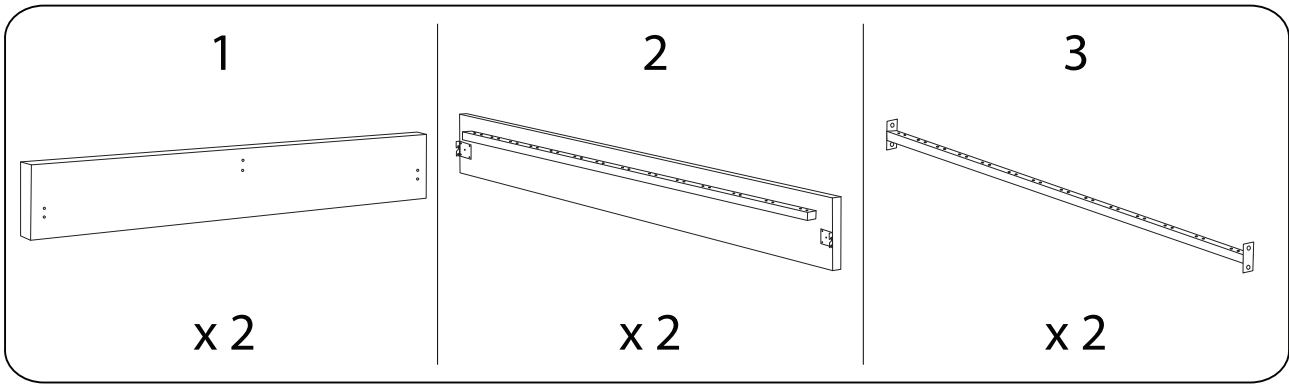


# ROANNE

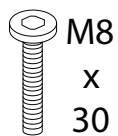




		
		
		<p>2</p>

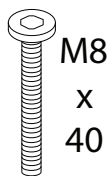


A



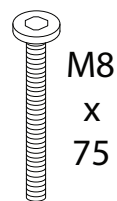
x 8

B



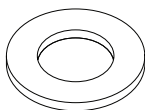
x 16

C



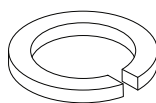
x 4

D



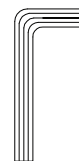
x 28

E



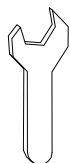
x 28

F



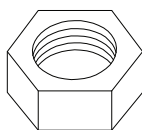
x 1

G



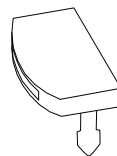
x 1

H



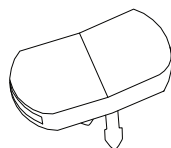
x 8

I



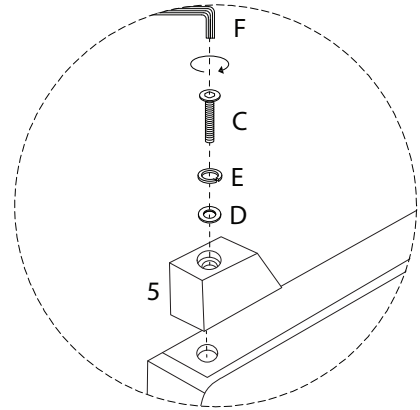
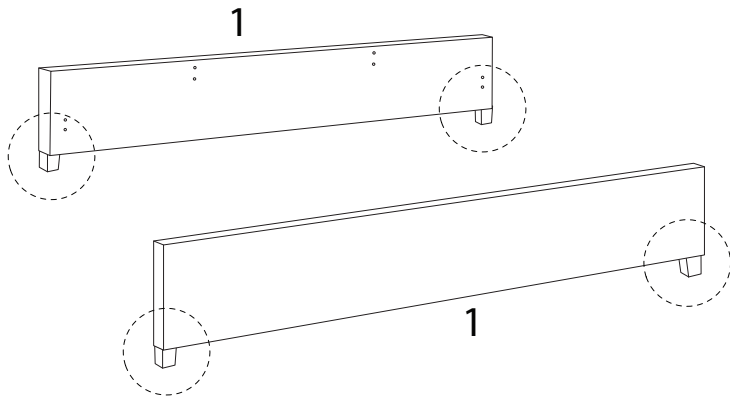
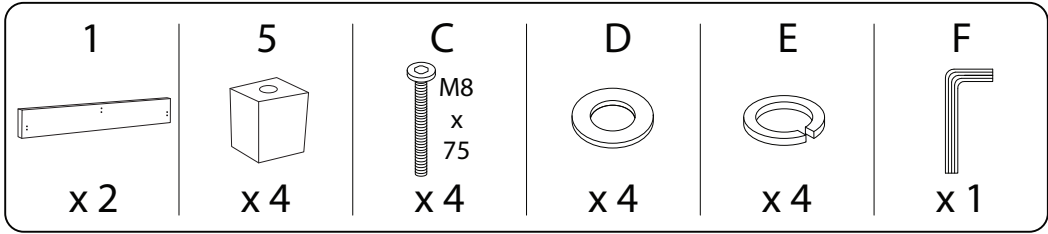
x 28

J

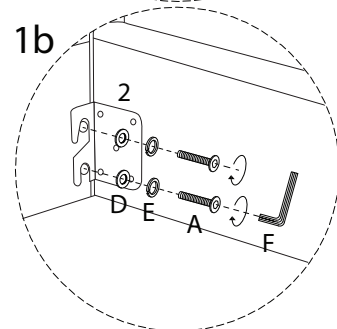
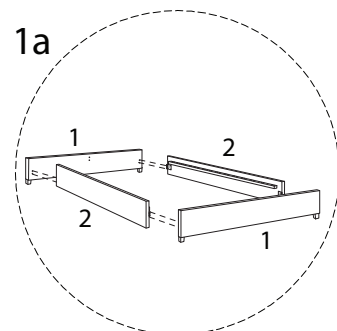
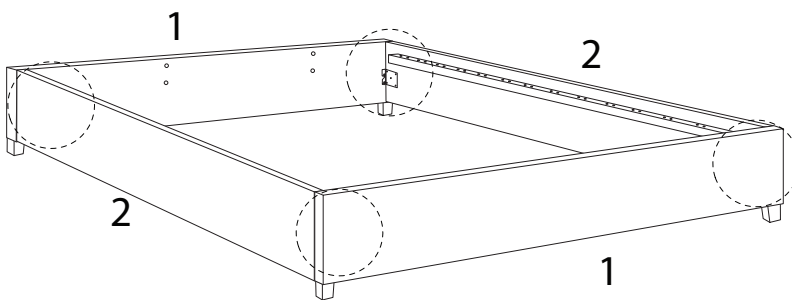
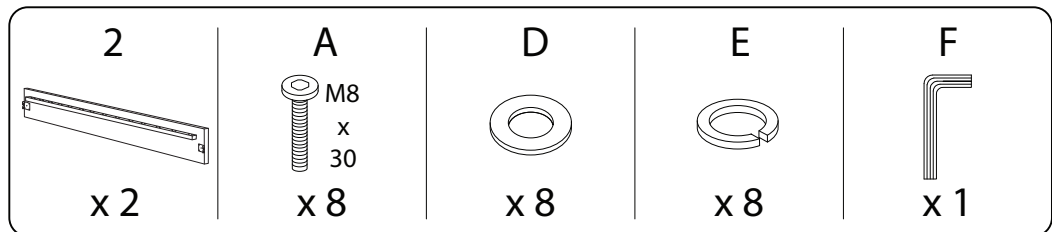


x 28

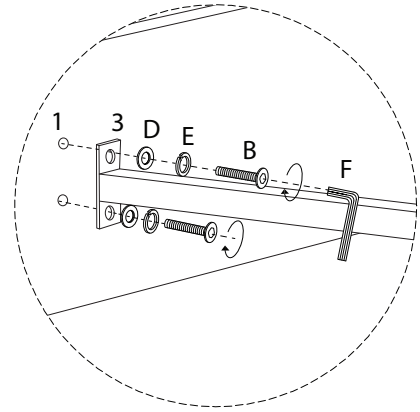
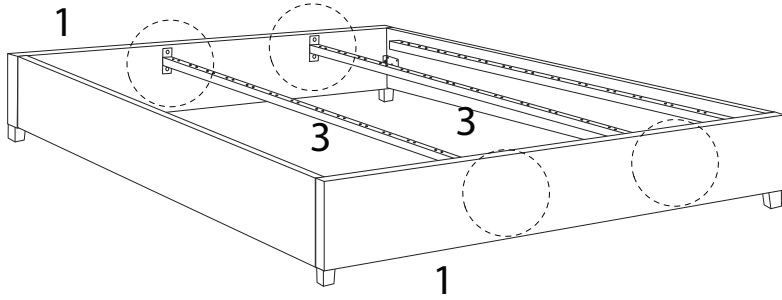
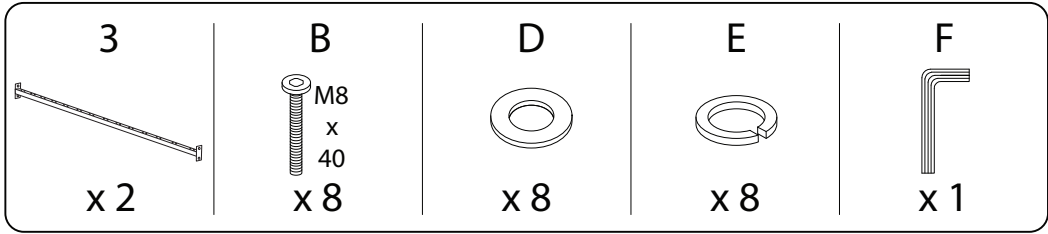
1



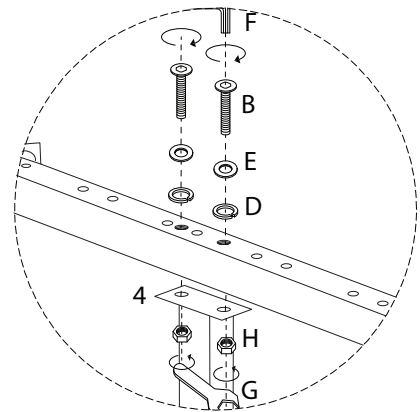
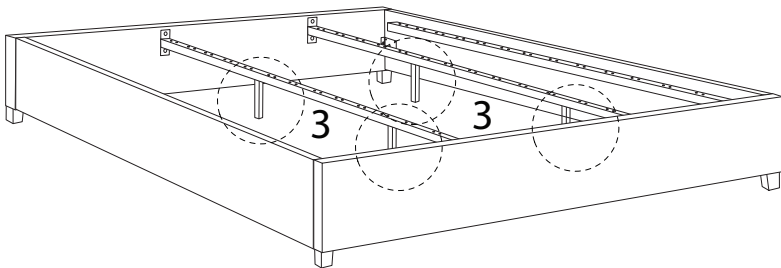
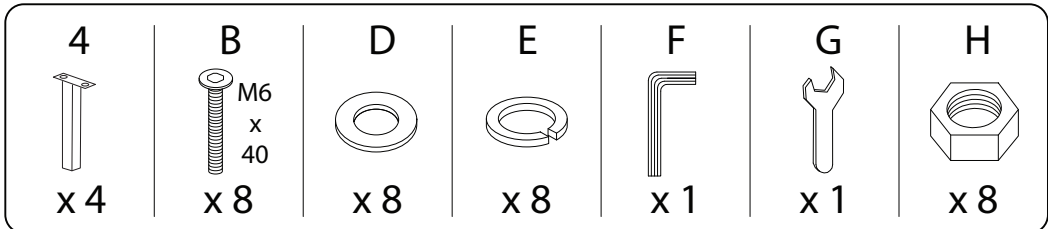
2



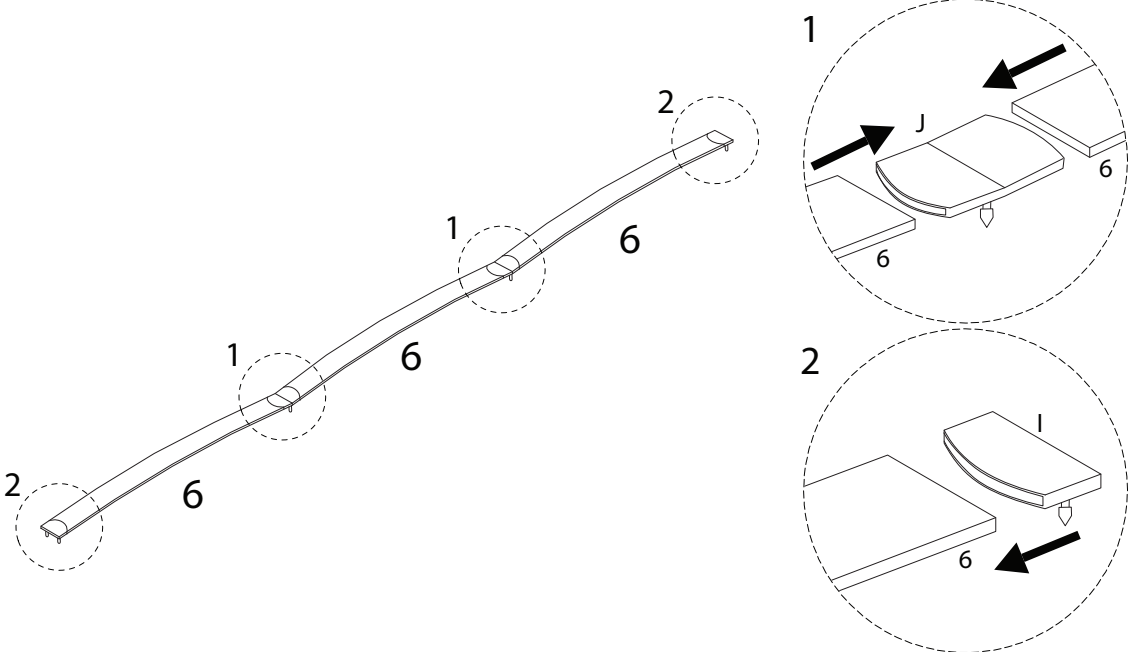
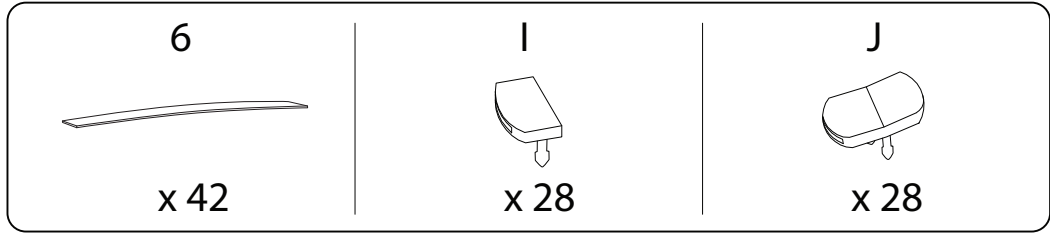
3



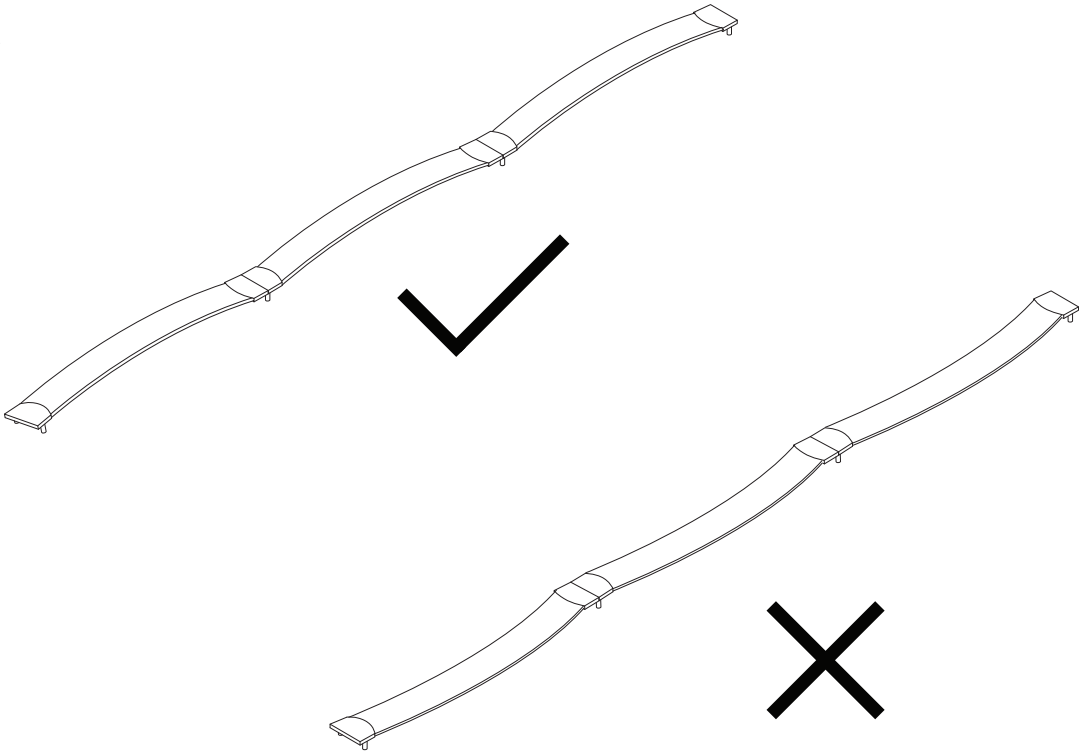
4



5



!



6

