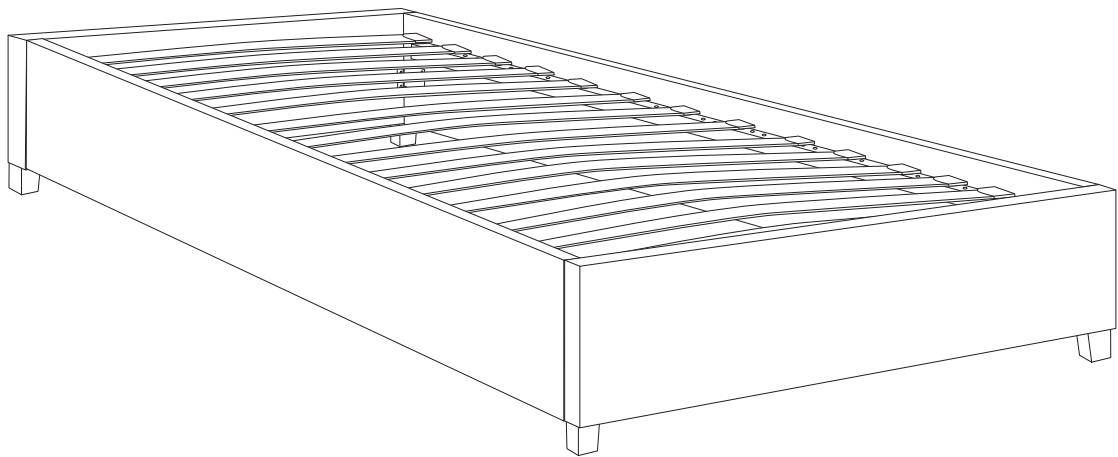
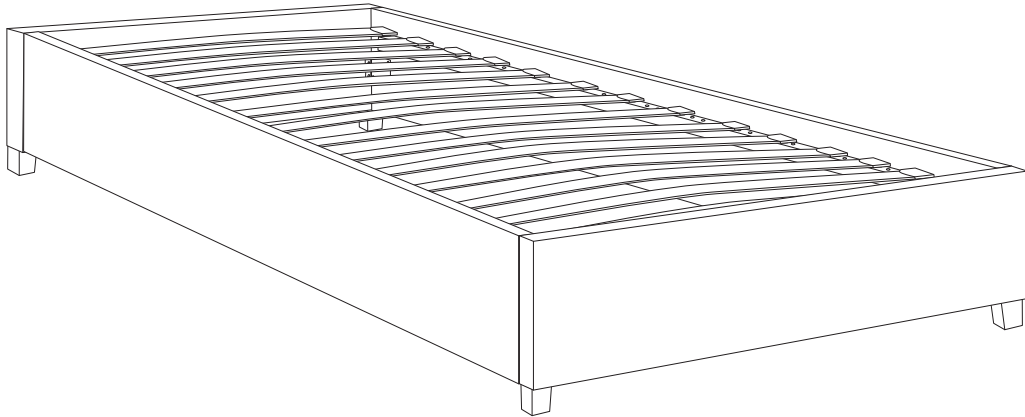


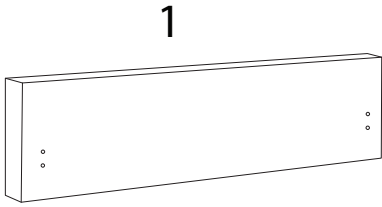
ROANNE





Assembly instructions for step 1/6:

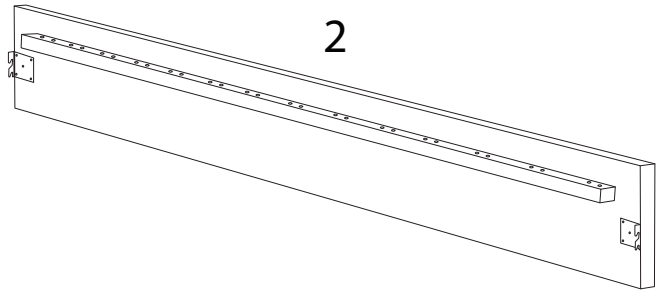
- Tools:** An icon in a circle shows an Allen key and a wrench. A power drill icon is crossed out with a diagonal line, indicating it should not be used.
- Warning:** A triangle with an exclamation mark.
- Time:** A clock icon with the text "30'" below it, indicating a 30-minute assembly time.
- Personnel:** An icon of a person with the number "2" below it, indicating that two people are required for assembly.
- Diagram:** An icon in a circle shows a mattress being placed on the bed frame. A second diagram shows a mattress being incorrectly placed on a surface, crossed out with a diagonal line.



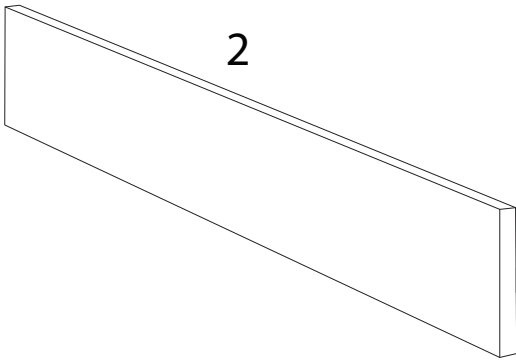
1



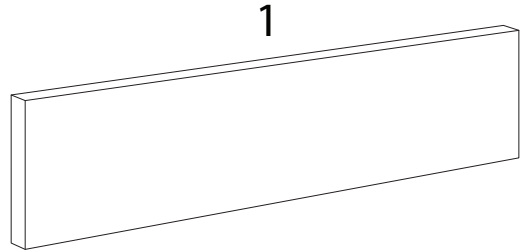
4 x 14



2



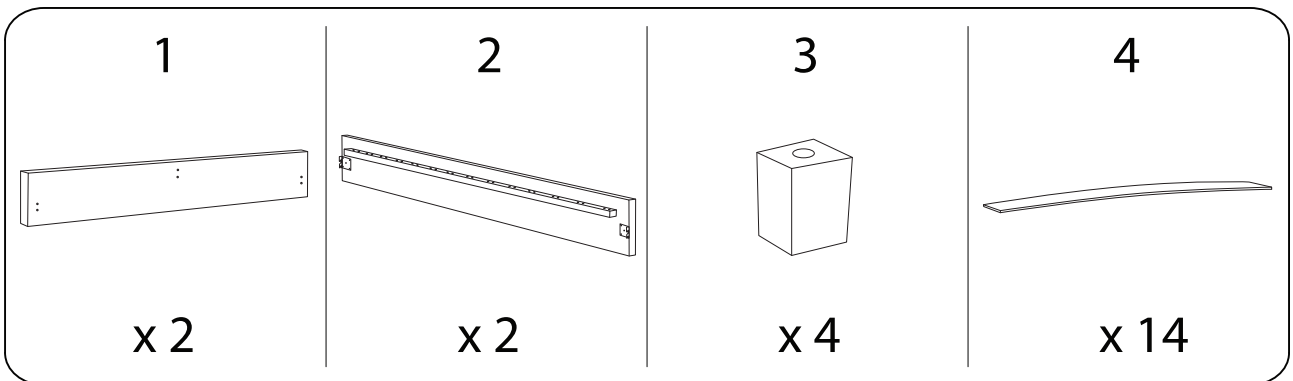
2



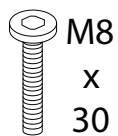
1



3 x 4

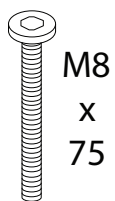


A



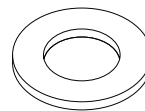
x 8

B



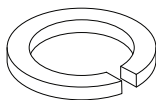
x 4

C



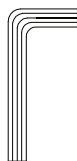
x 12

D



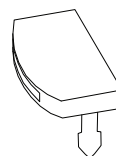
x 12

E



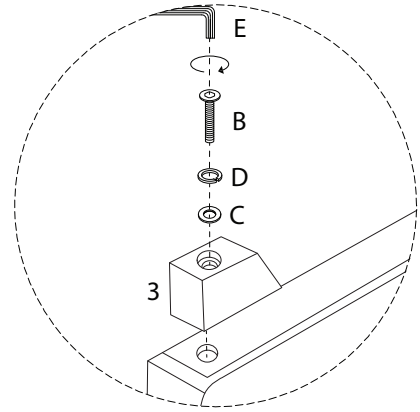
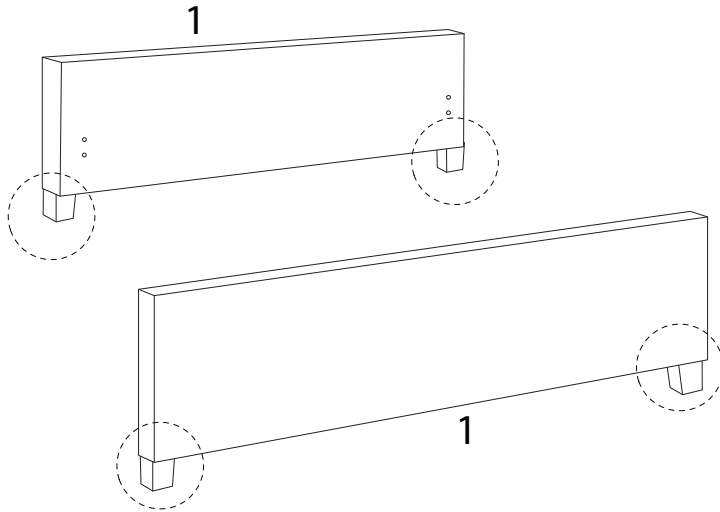
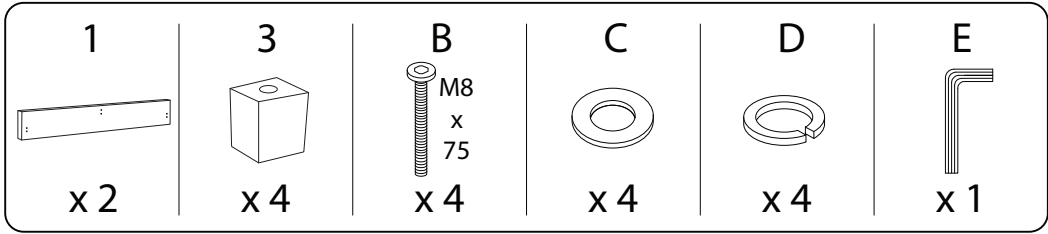
x 1

F

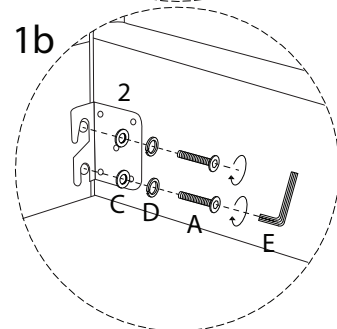
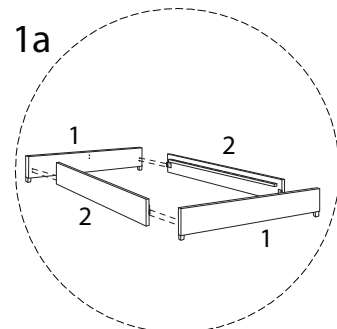
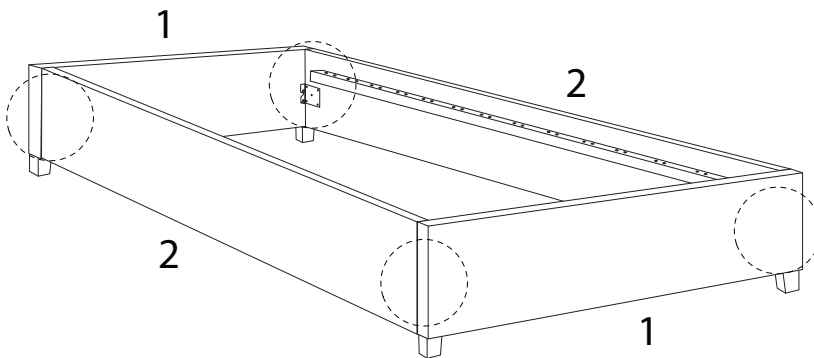
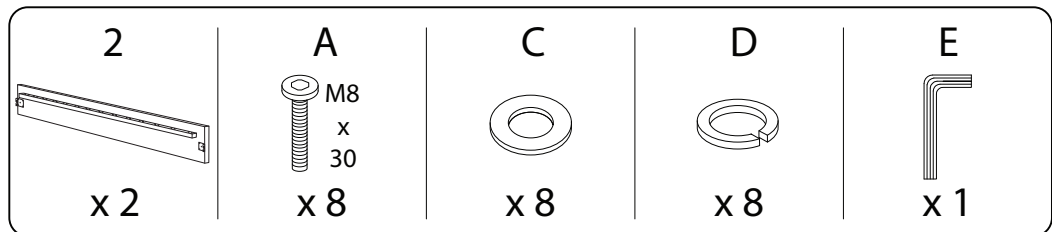


x 28

1



2



3

4

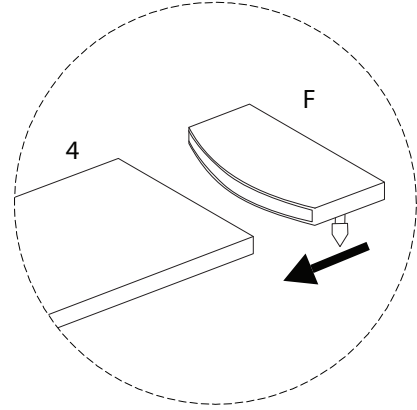
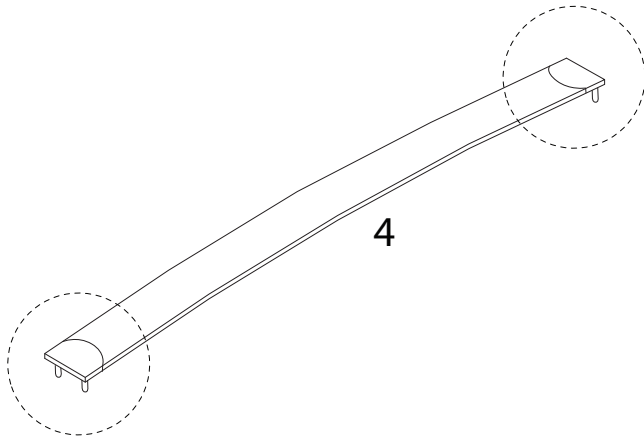


x 14

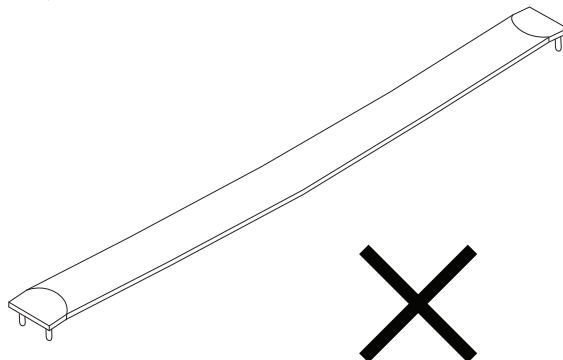
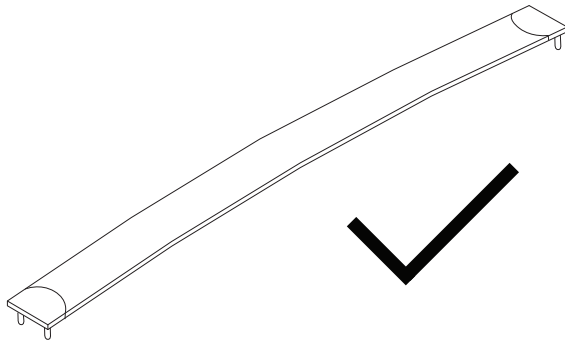
F



x 28



!



4

