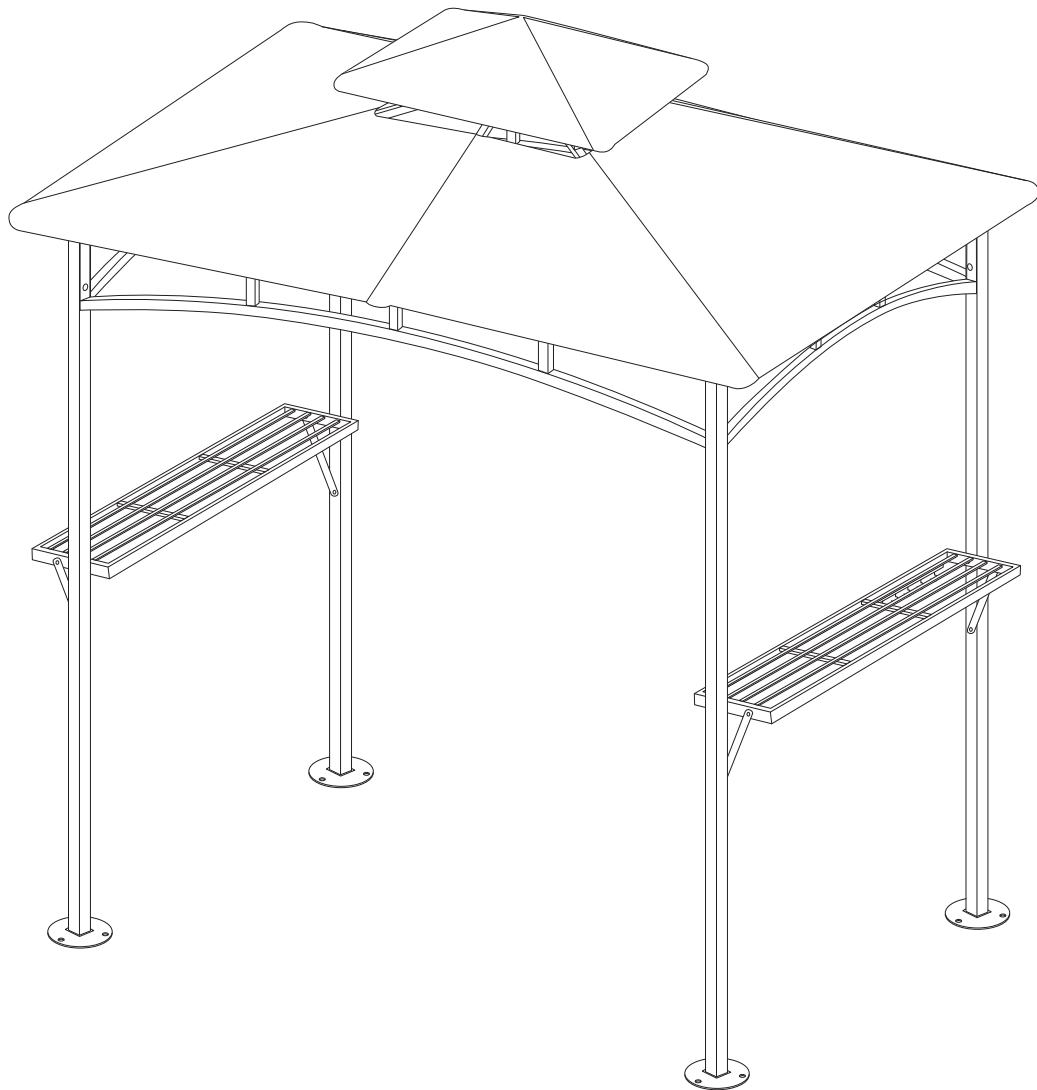
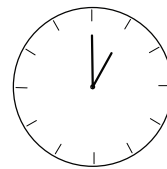
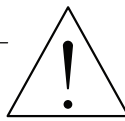
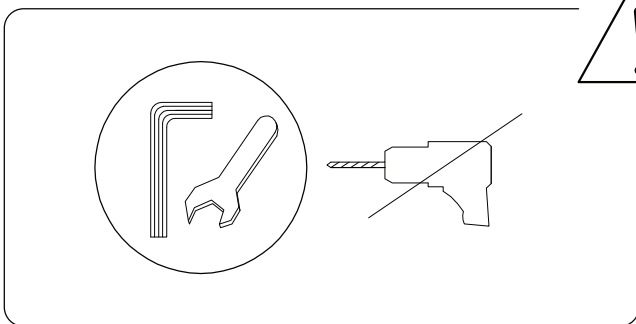
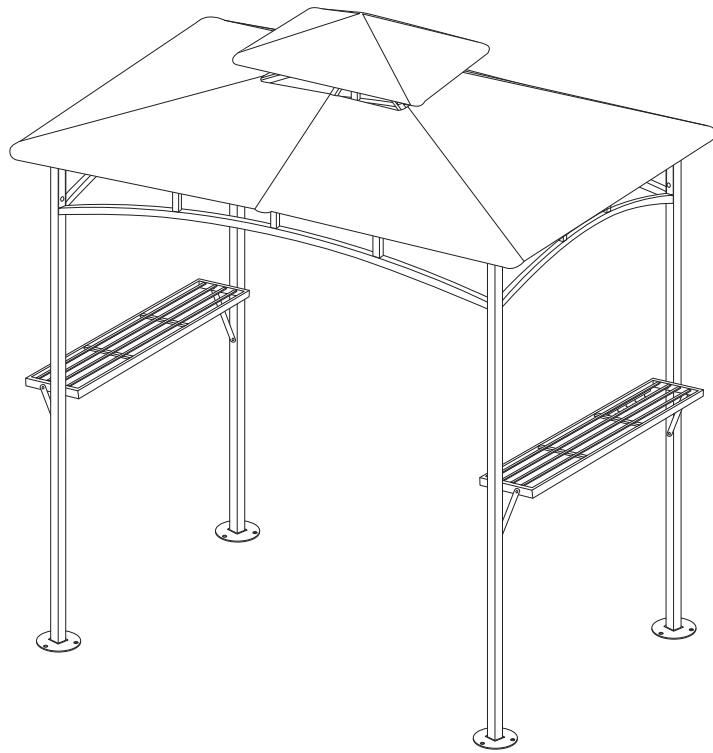
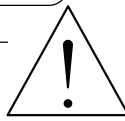
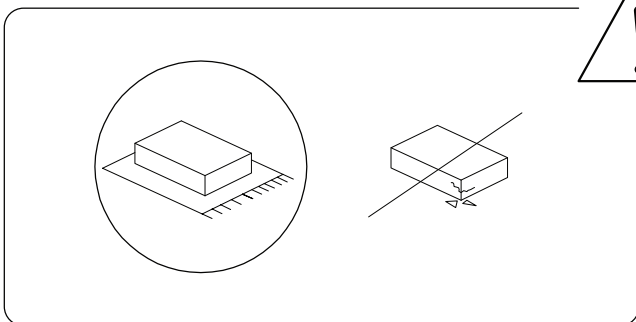


NARO

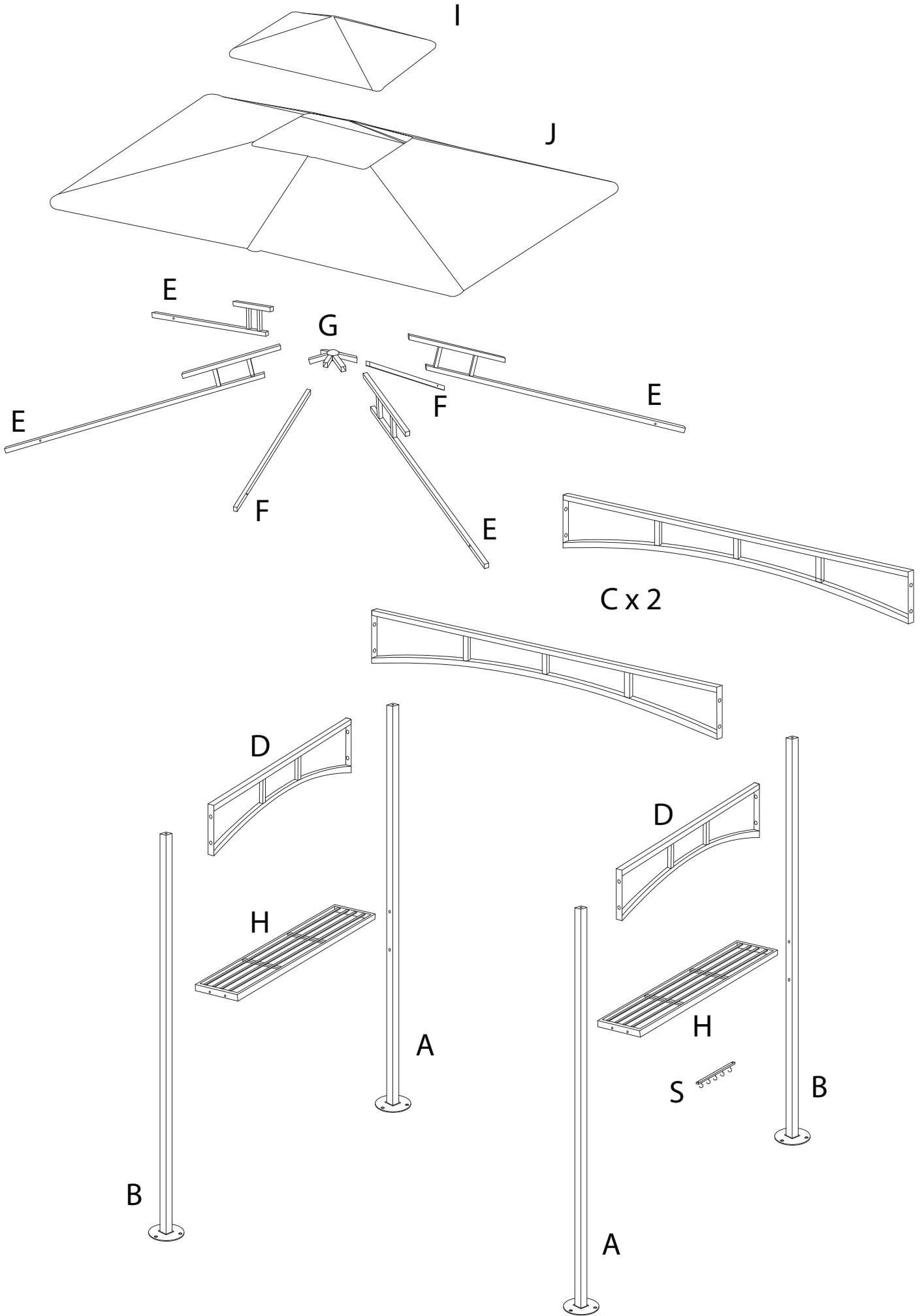




60'



3



A



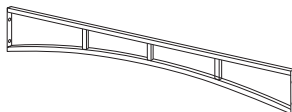
x 2

B



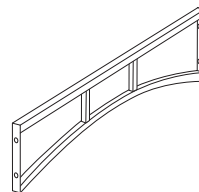
x 2

C



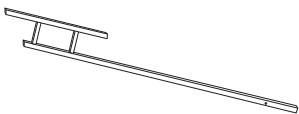
x 2

D



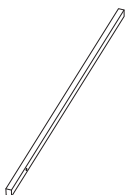
x 2

E



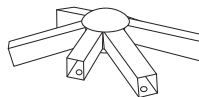
x 4

F



x 2

G



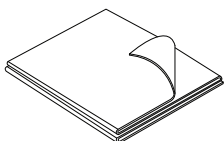
x 1

H



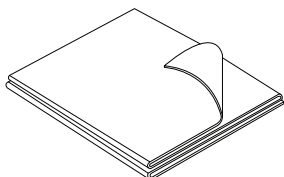
x 4

I



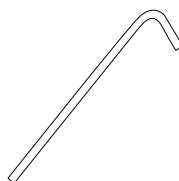
x 1

J



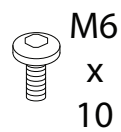
x 1

K



x 8

L



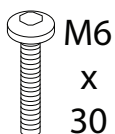
M6
x
10

M



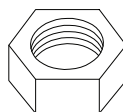
x 16

N



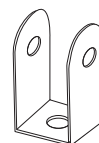
x 16

O



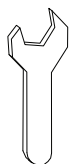
x 10

P



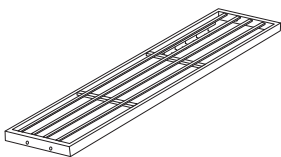
x 6

Q



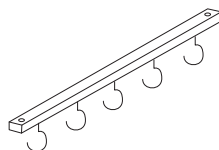
x 1

R



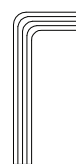
x 2

S



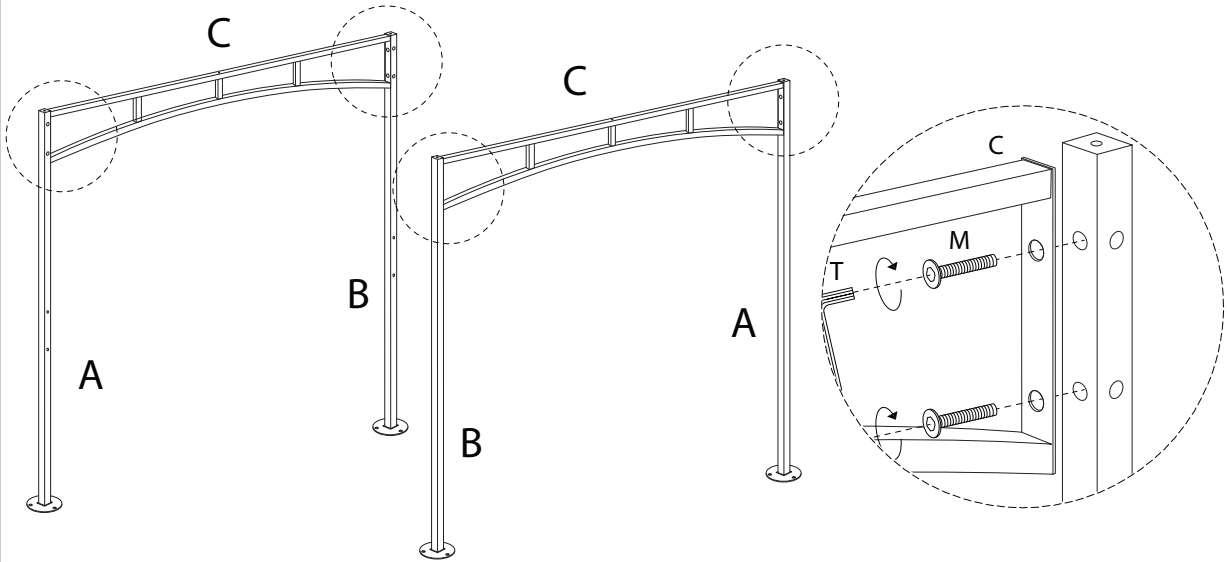
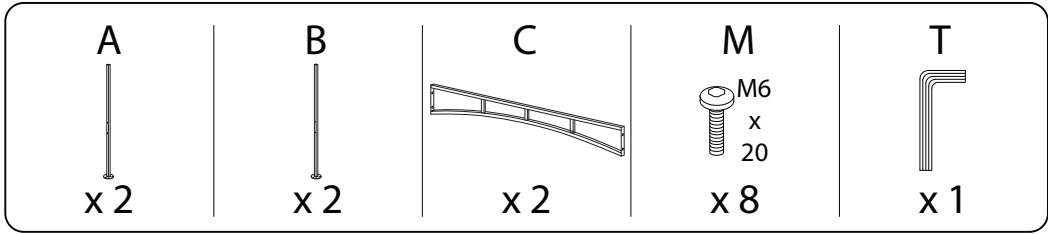
x 1

T

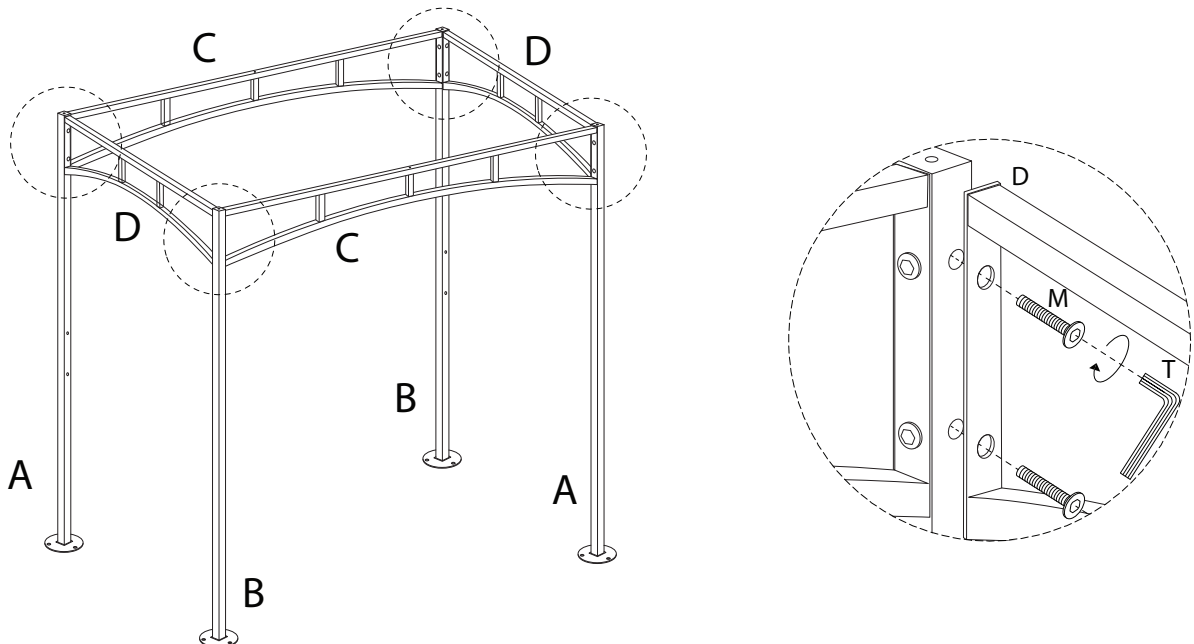
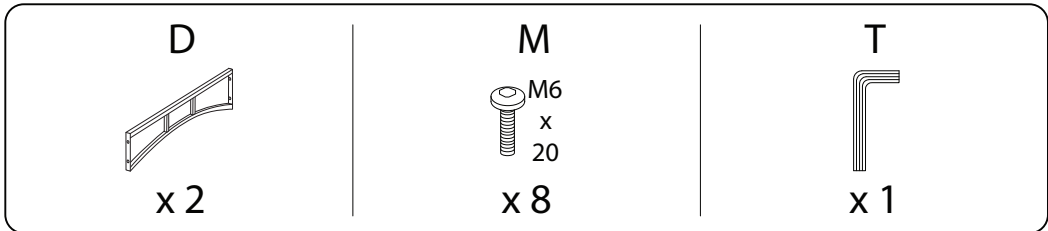


x 1

1



2

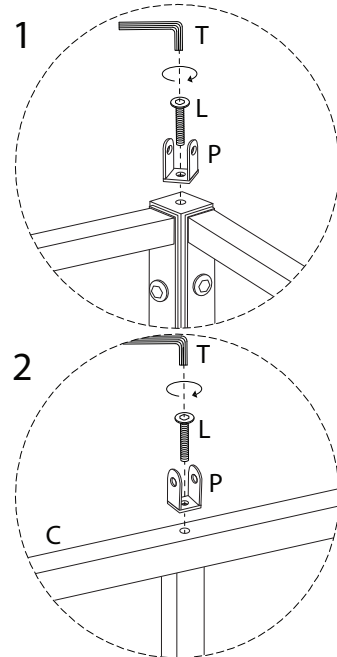
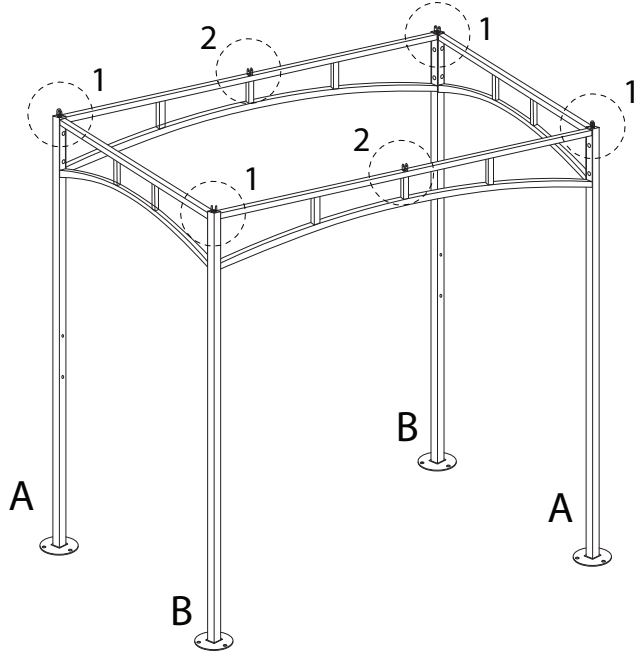


3

L
M6
x
10
x 6

P
x 6

T
x 1

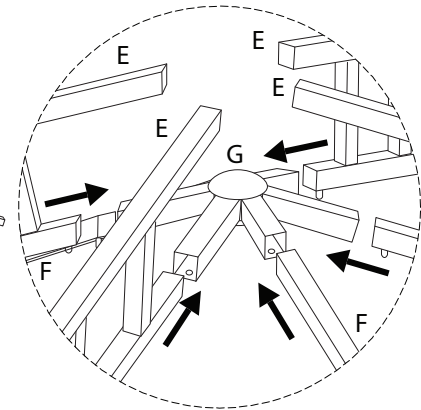
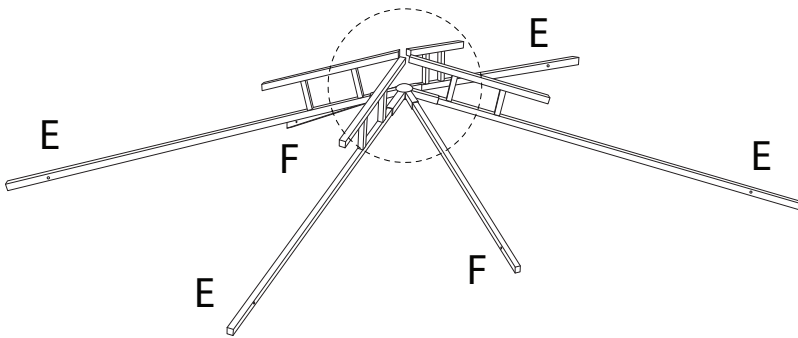


4

E
x 4

F
x 2

G
x 1



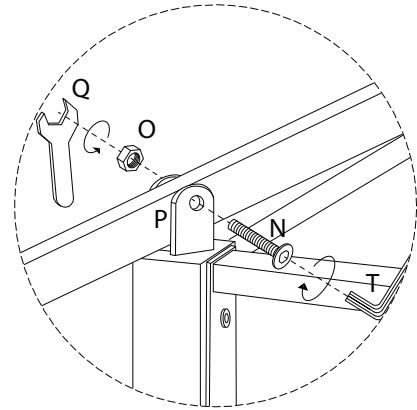
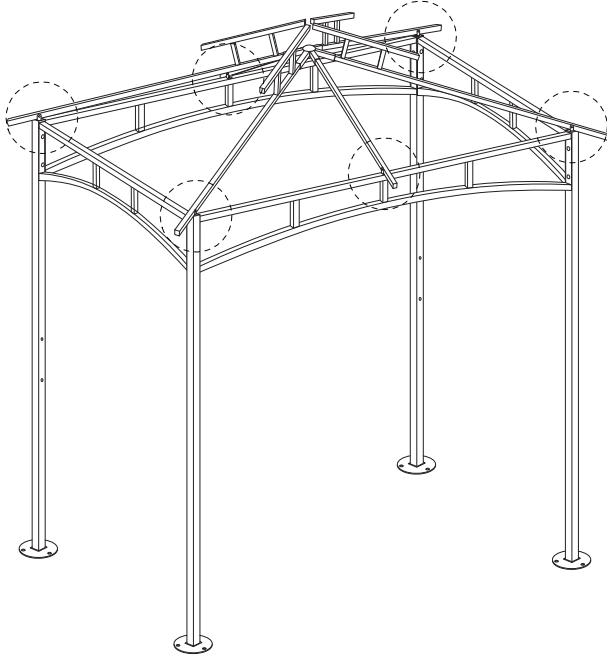
5

N
M6
x
30
x 6

O
x 6

Q
x 1

T
x 1

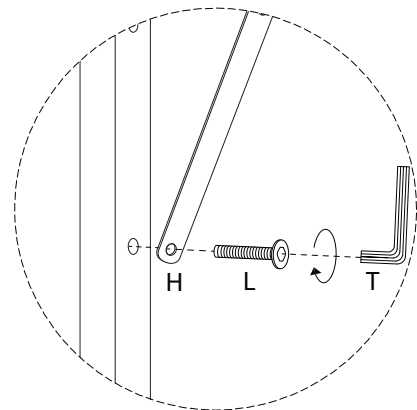
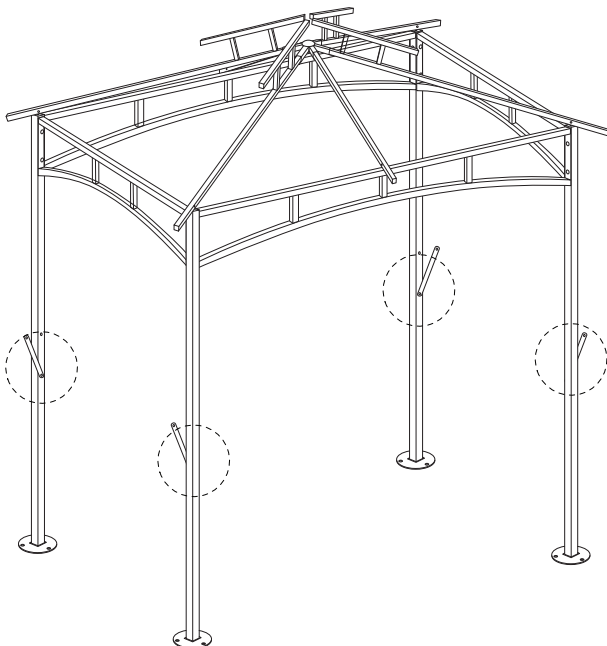


6

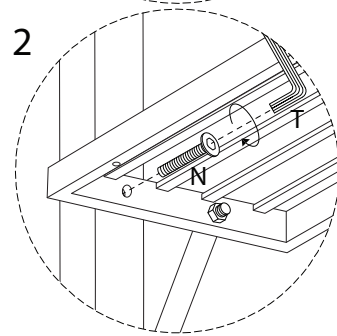
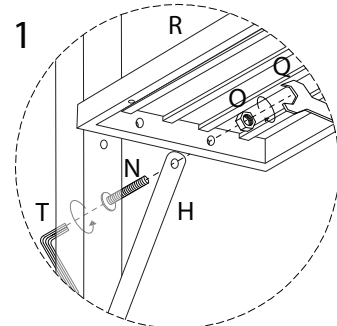
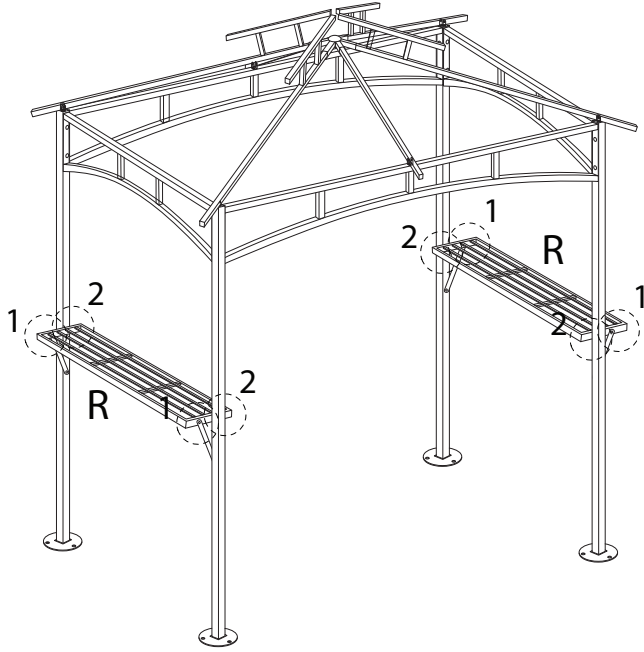
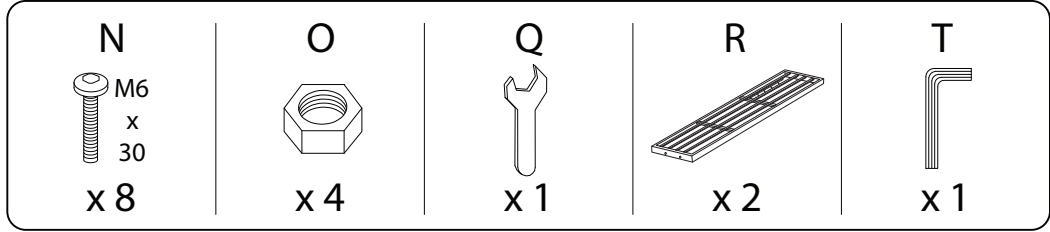
H
x 4

L
M6
x
10
x 4

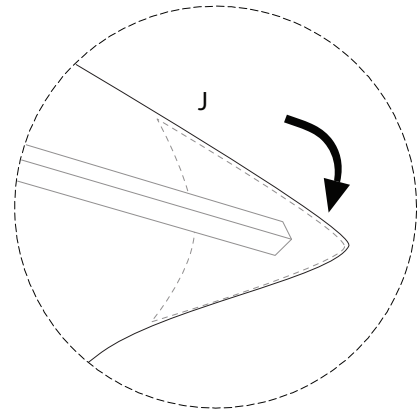
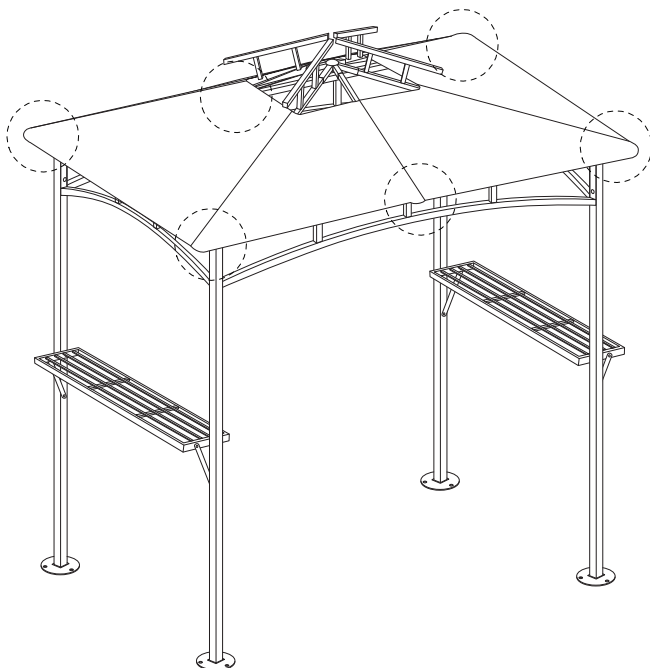
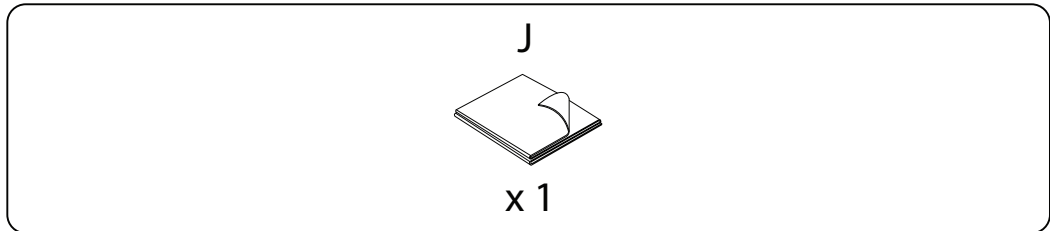
T
x 1



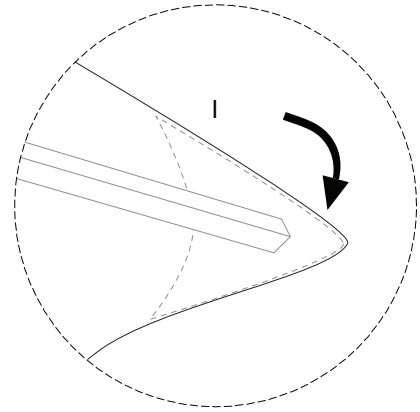
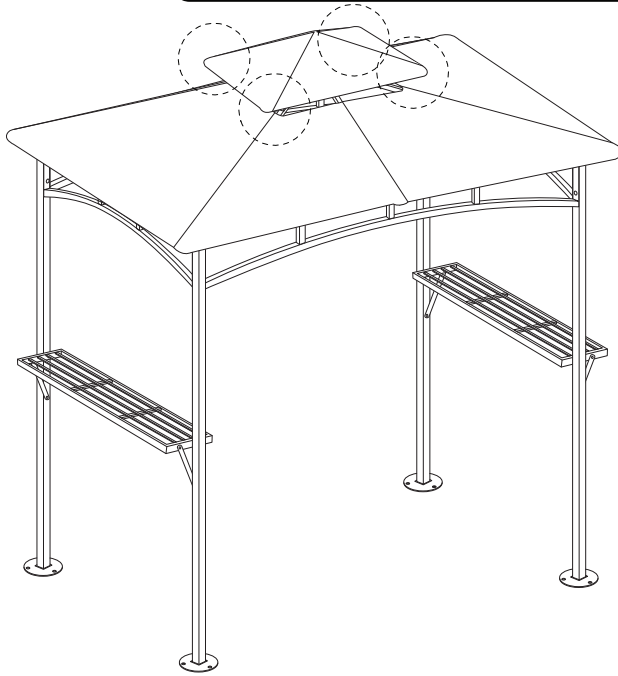
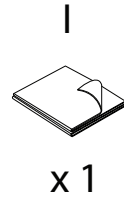
7



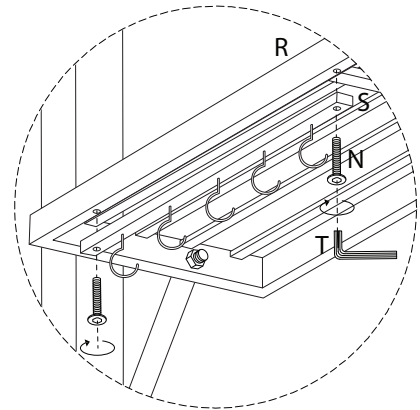
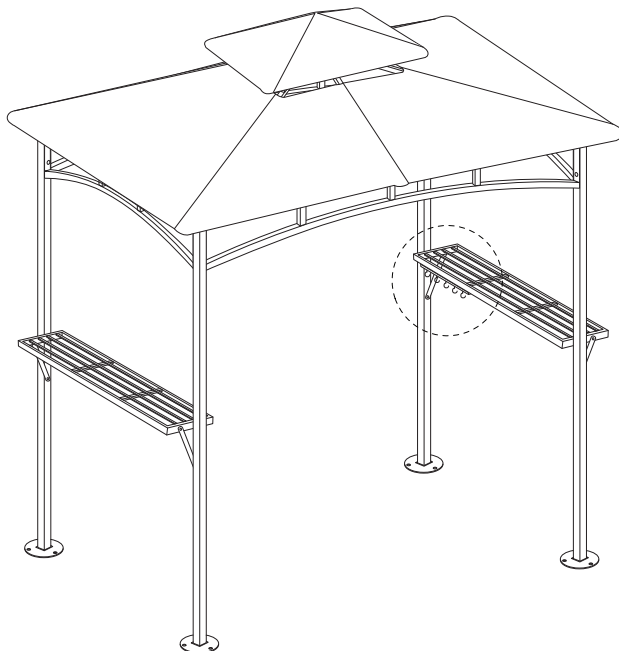
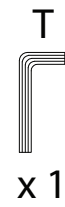
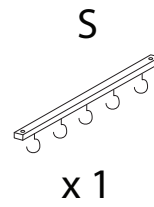
8



9



10



11

K



x 8

