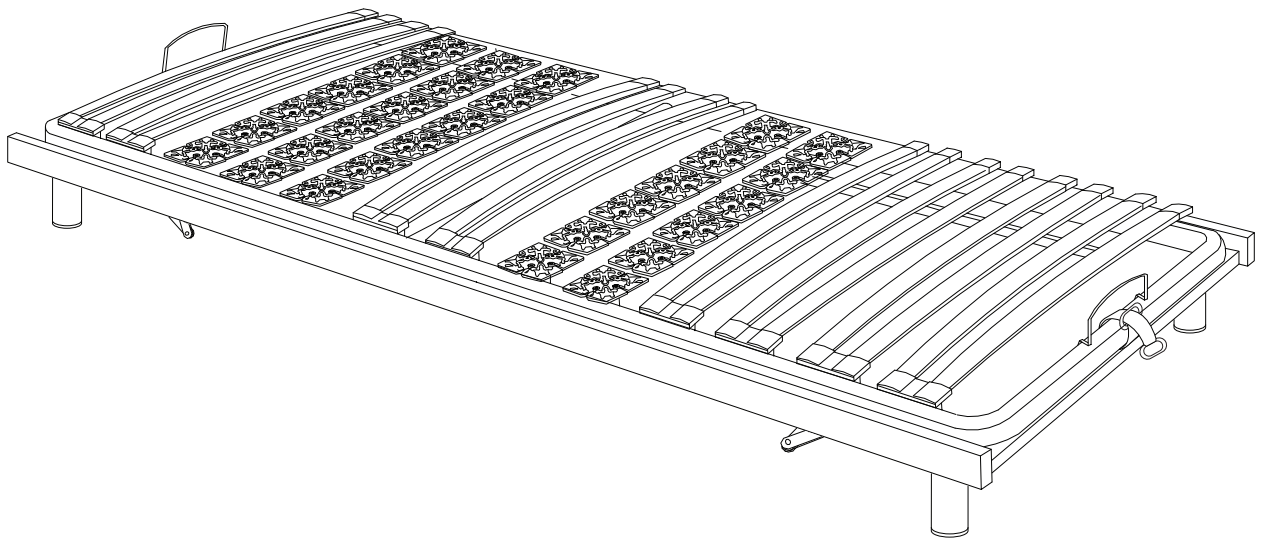
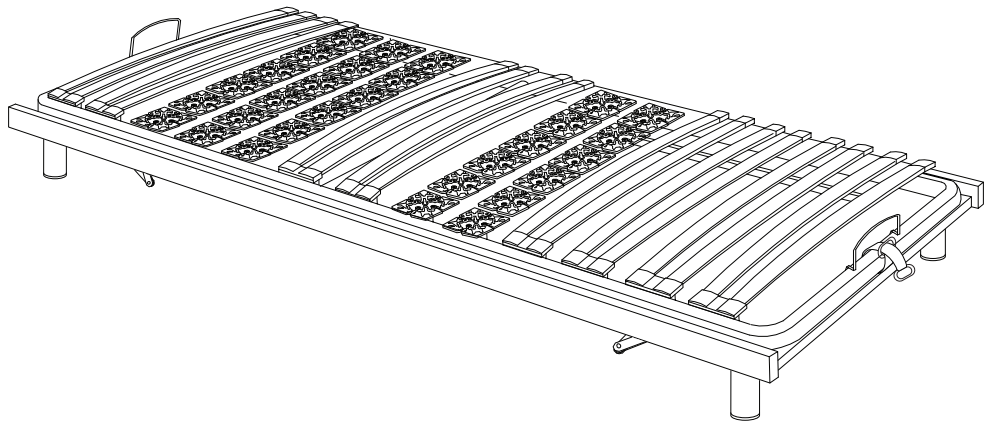
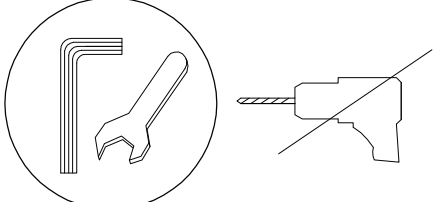

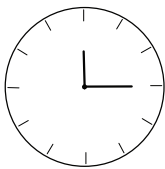
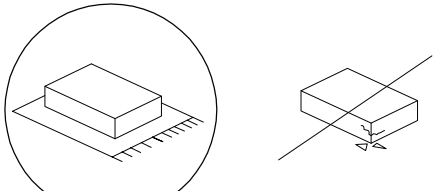


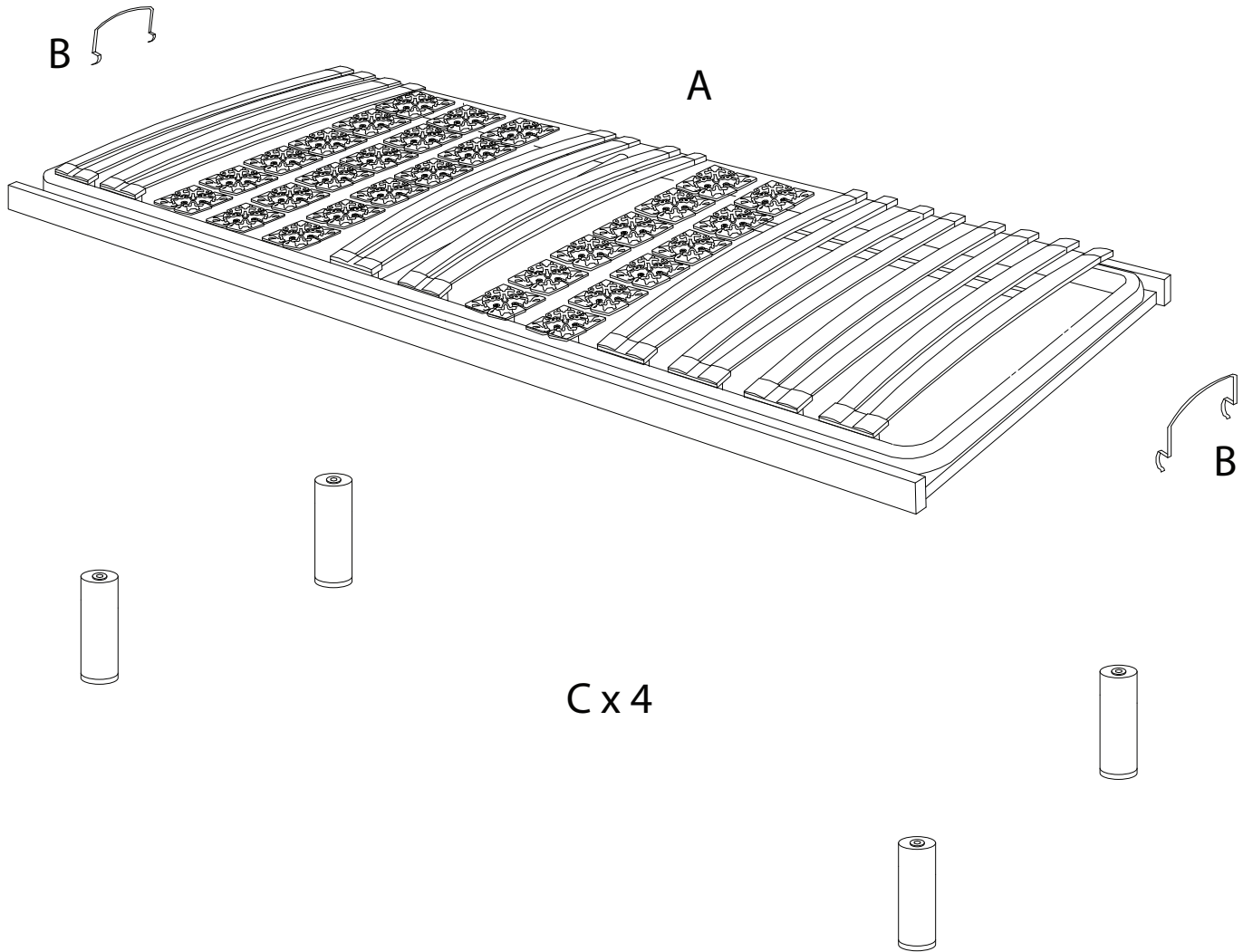


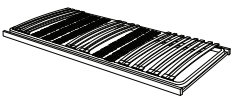
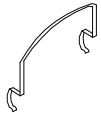
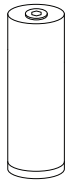
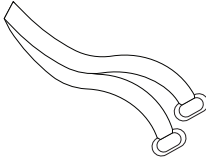
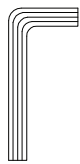
MOON



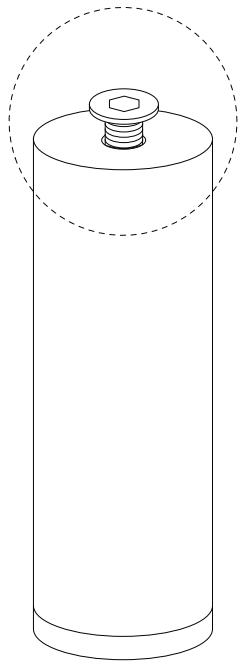


		
		<p>15'</p>
		
		<p>1</p>

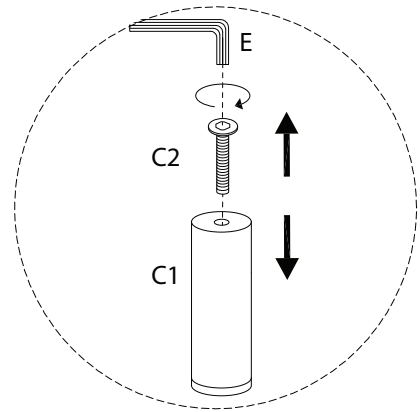


A	B	C	D	E
				
x 1	x 2	x 4	x 2	x 1

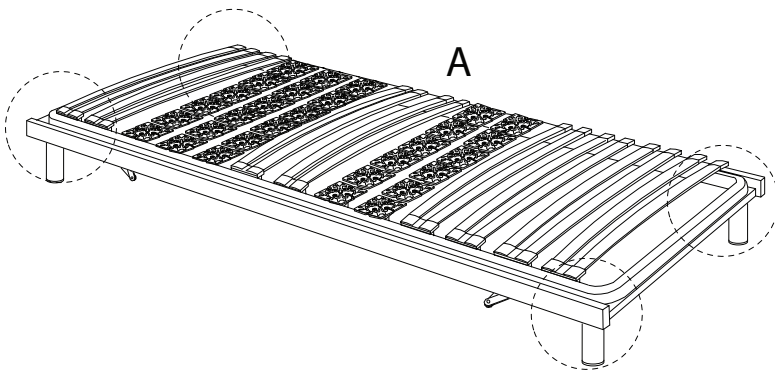
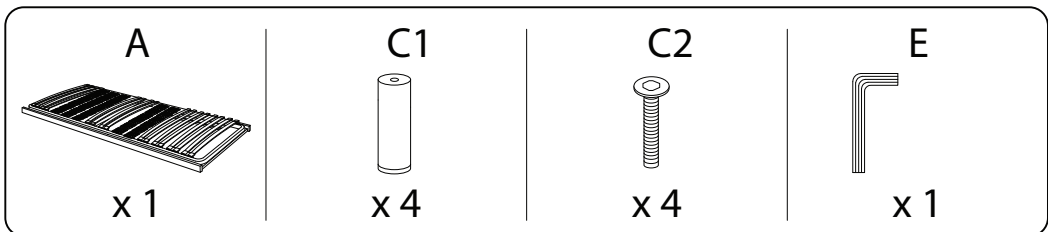
!



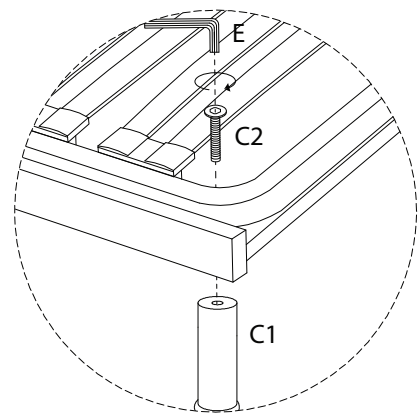
C



1



A

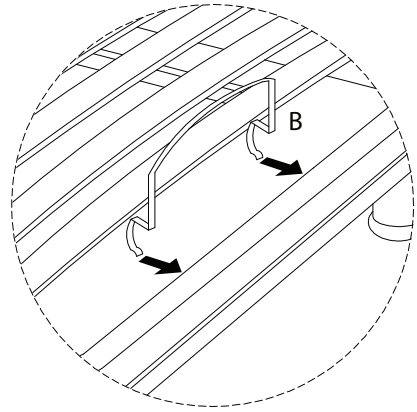
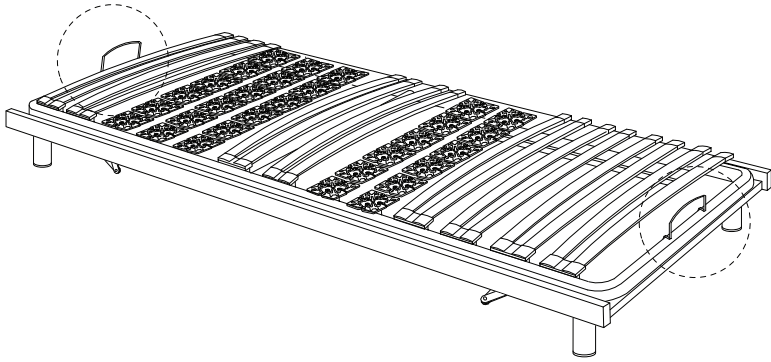


2

B

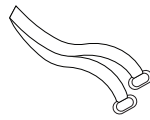


x 2

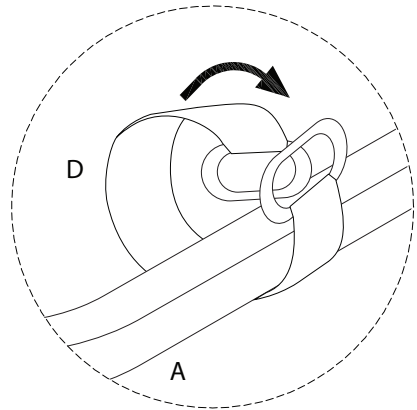
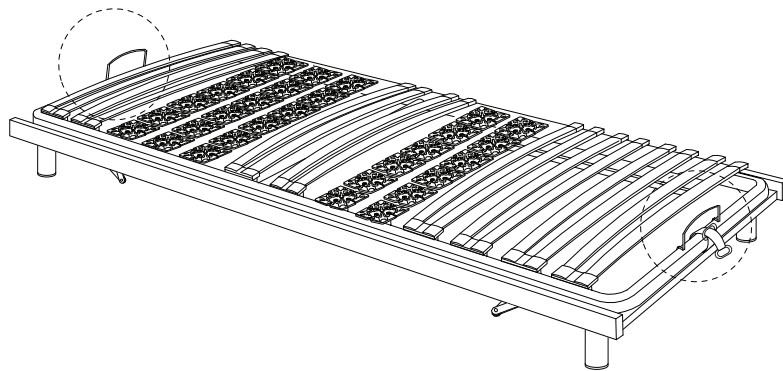


3

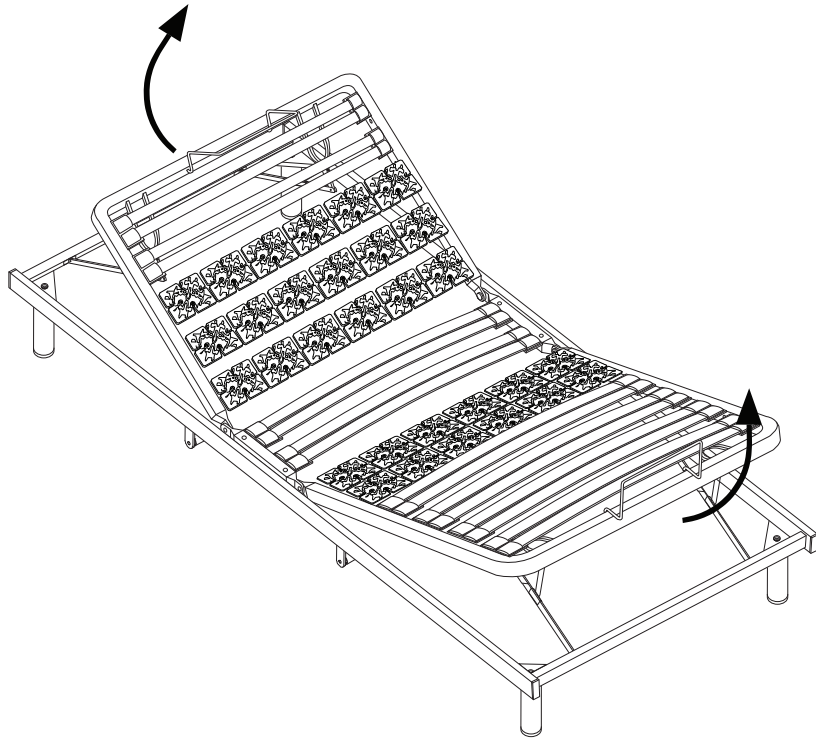
D



x 2



!



!

