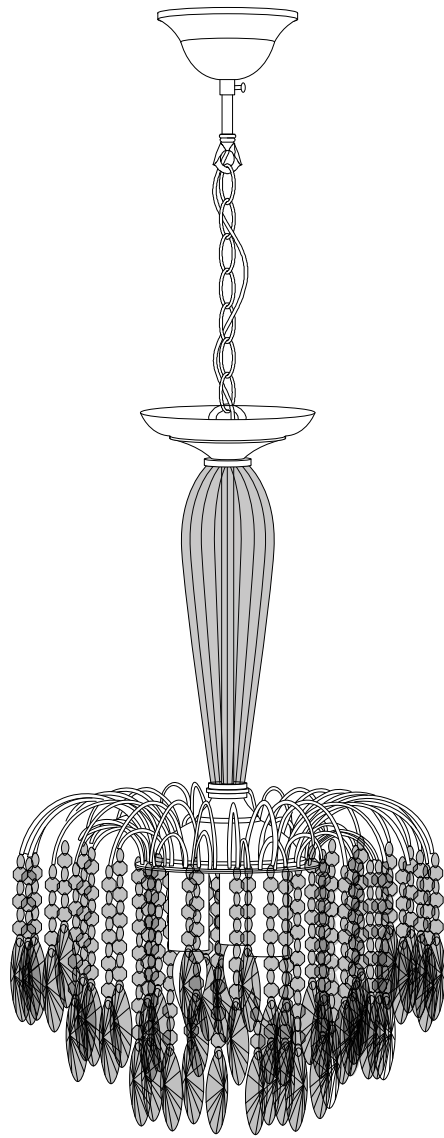
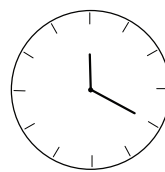
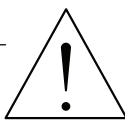
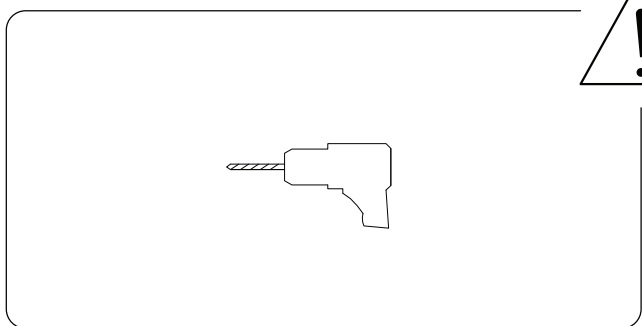
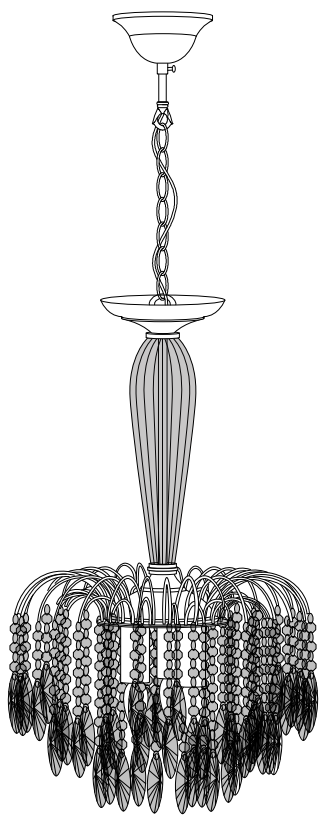
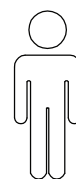
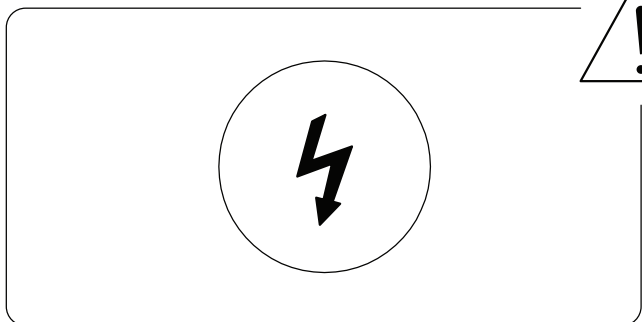


ORARA

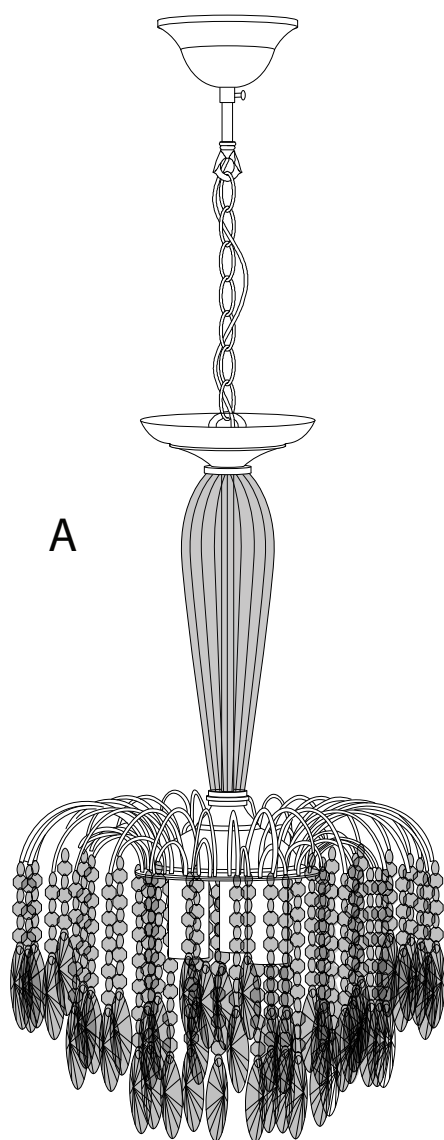




20'



2



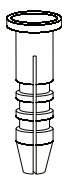
A

A



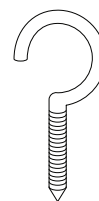
x 1

B



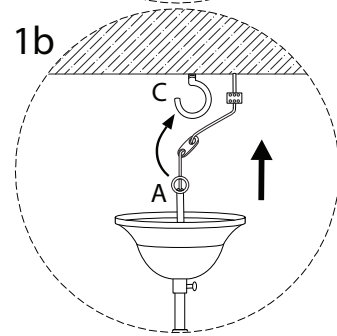
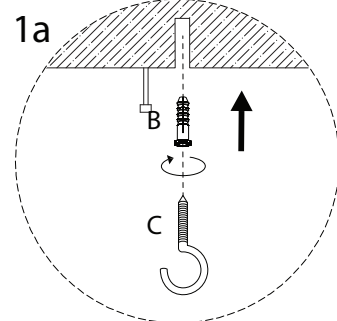
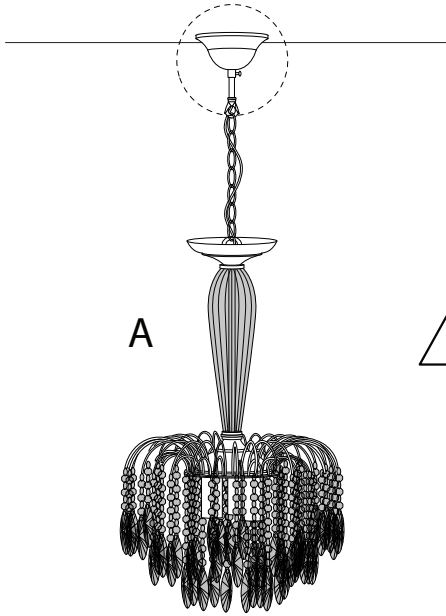
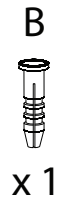
x 1

C



x 1

1



2

