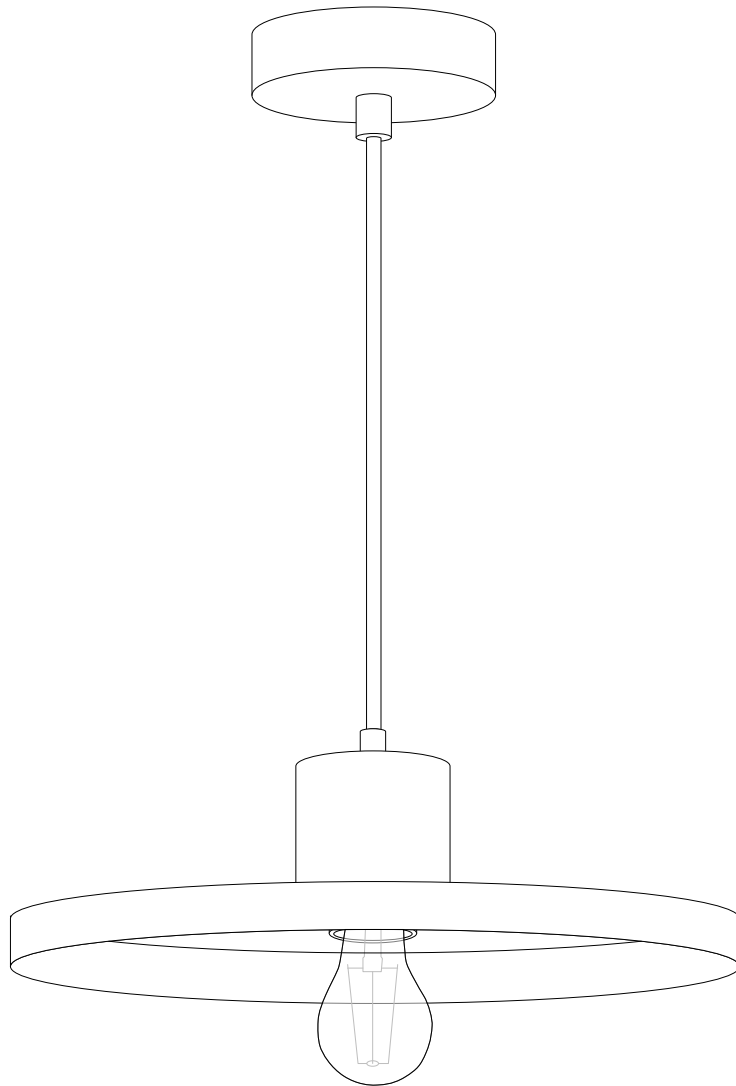
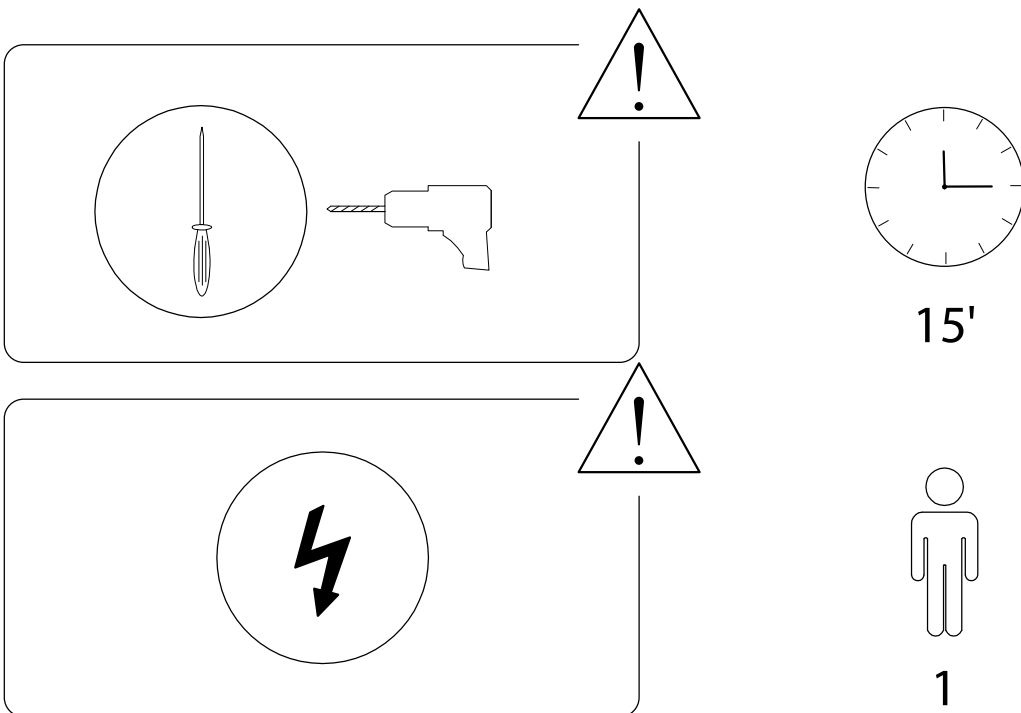
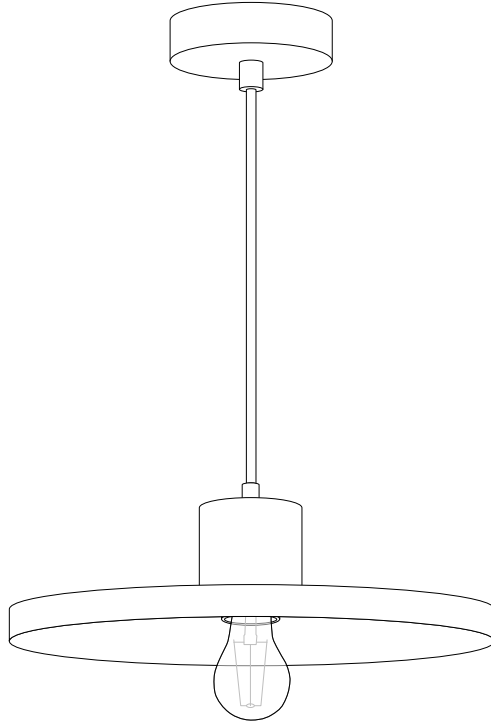
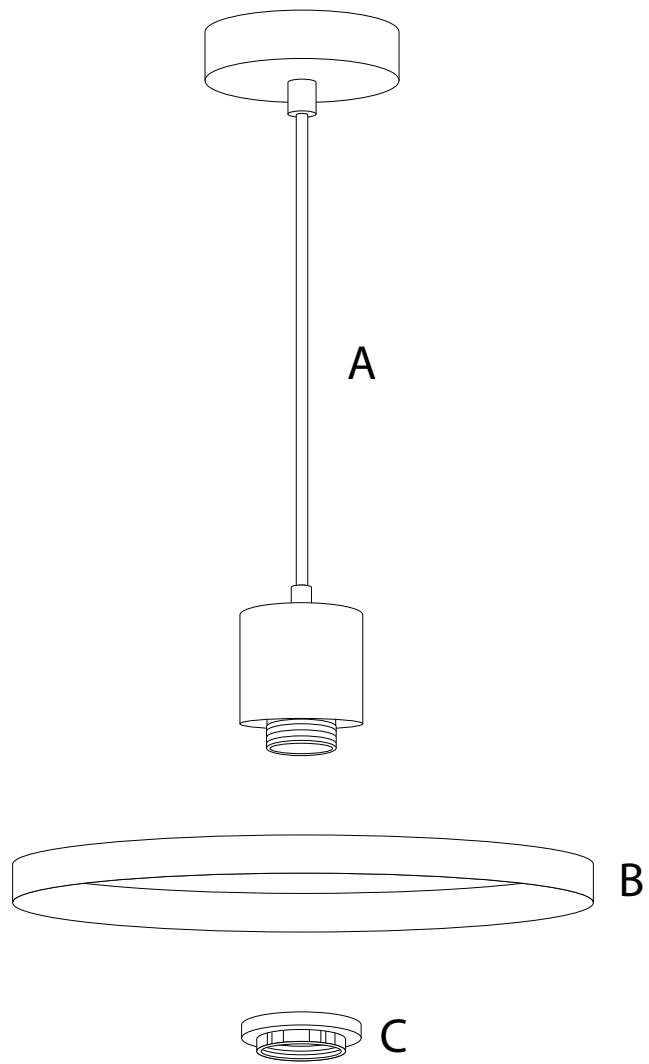



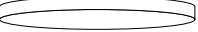

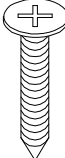

# BOGAN



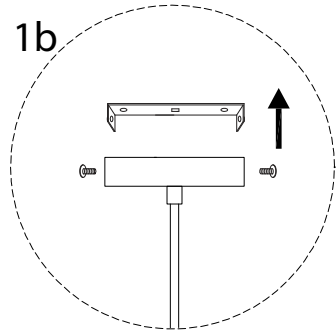
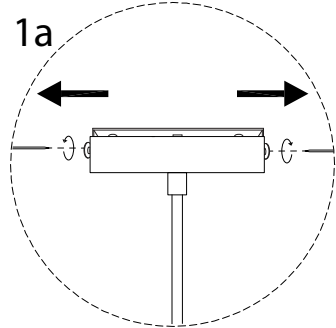
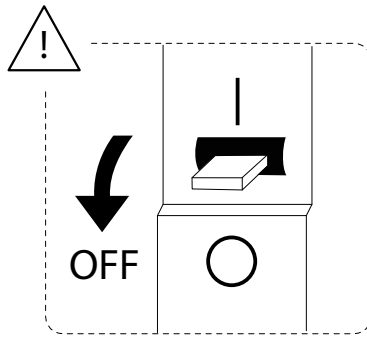
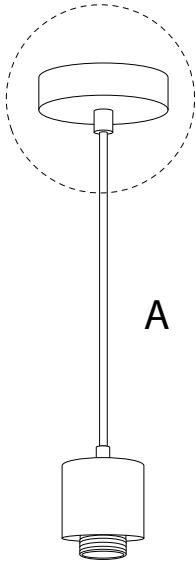


1/4

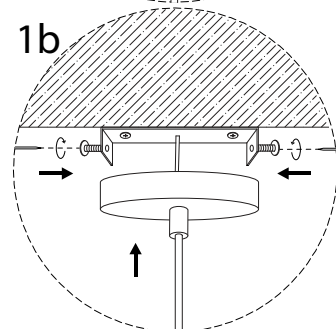
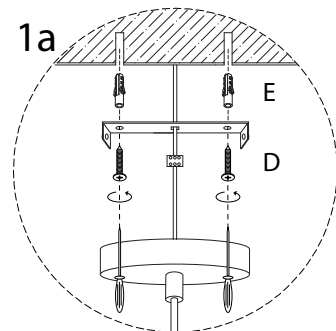
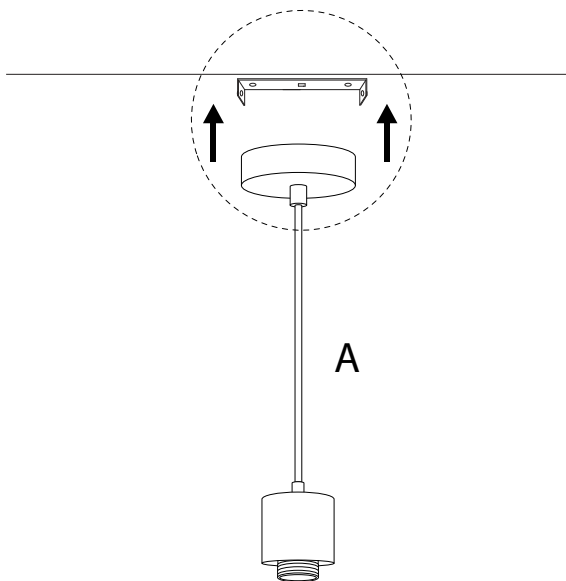
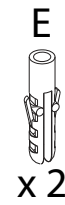
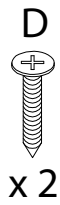


A	B	C	D	E
				
x 1	x 1	x 1	x 2	x 2

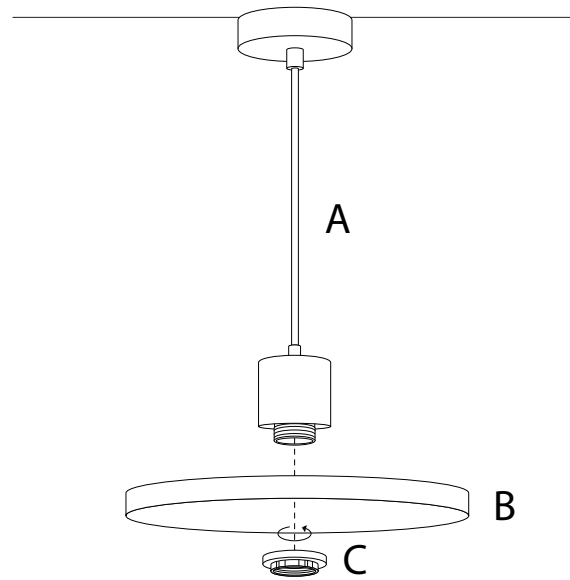
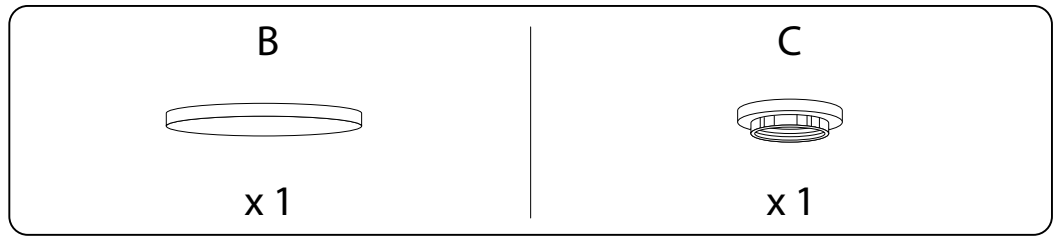
1



2



3



!

