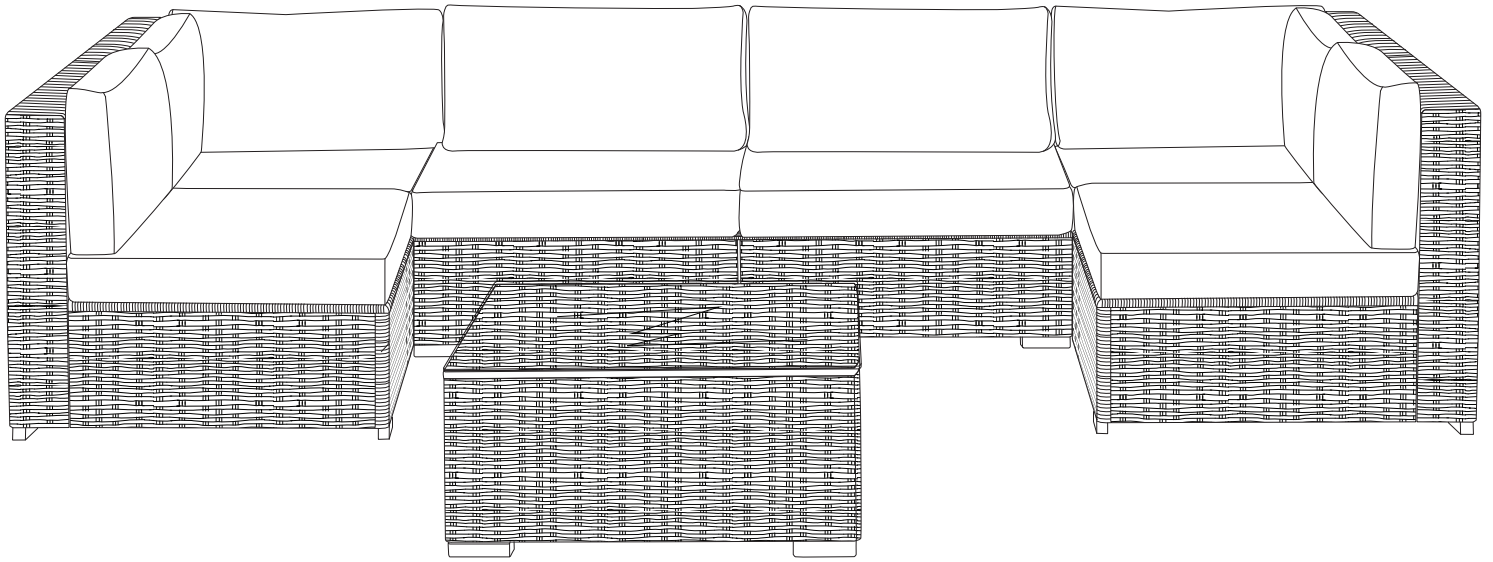
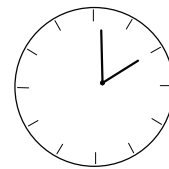
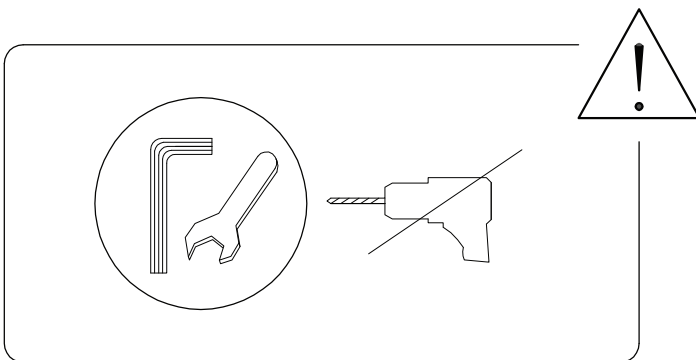
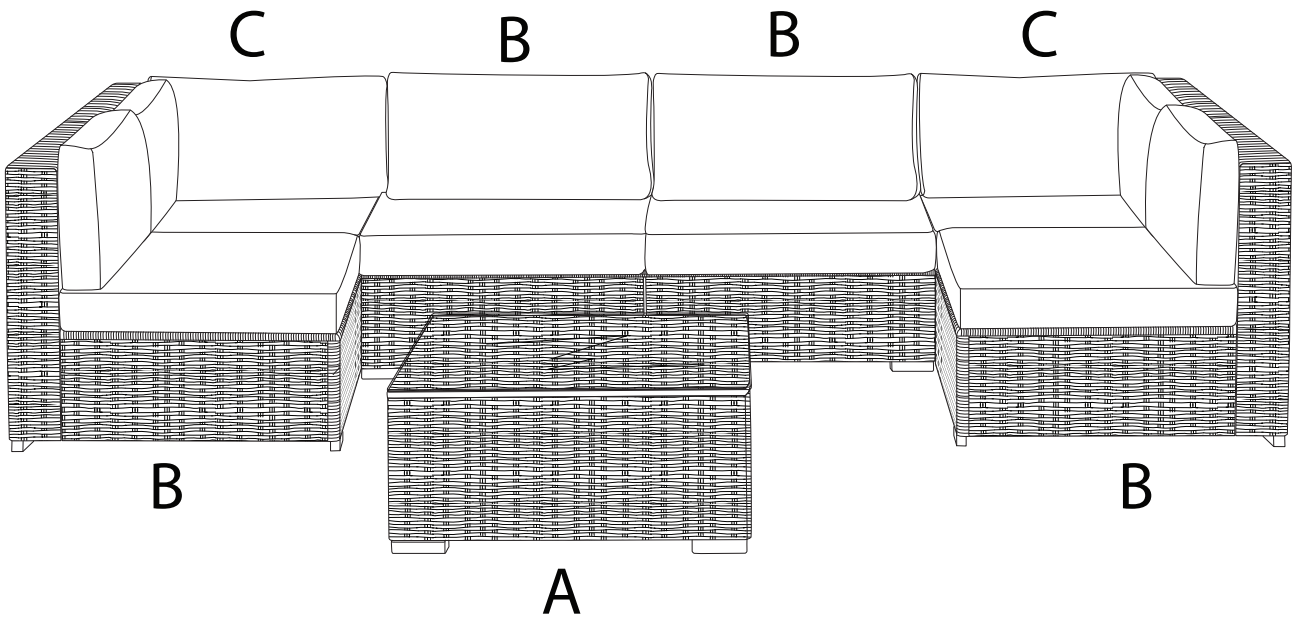
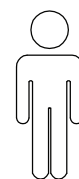
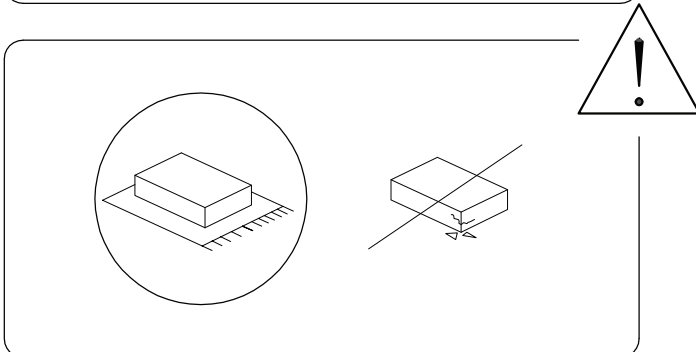


# BELVEDERE



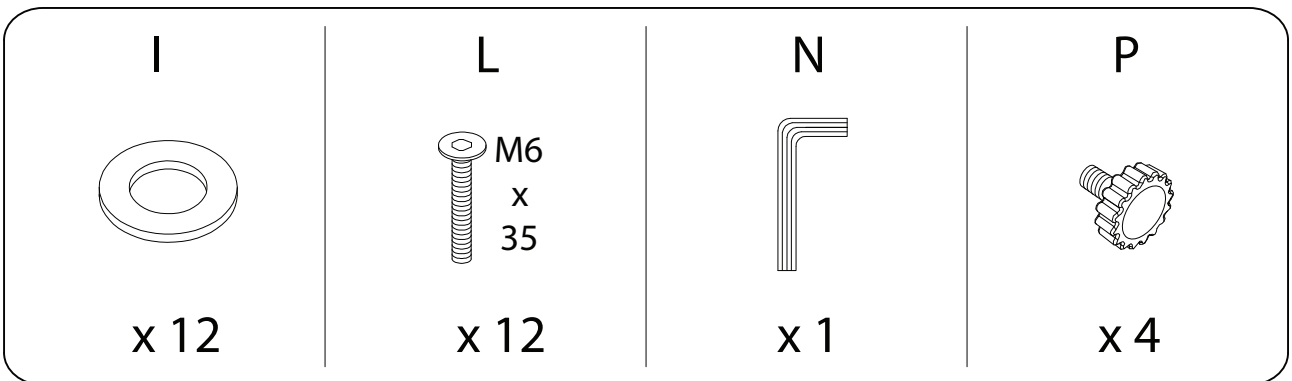
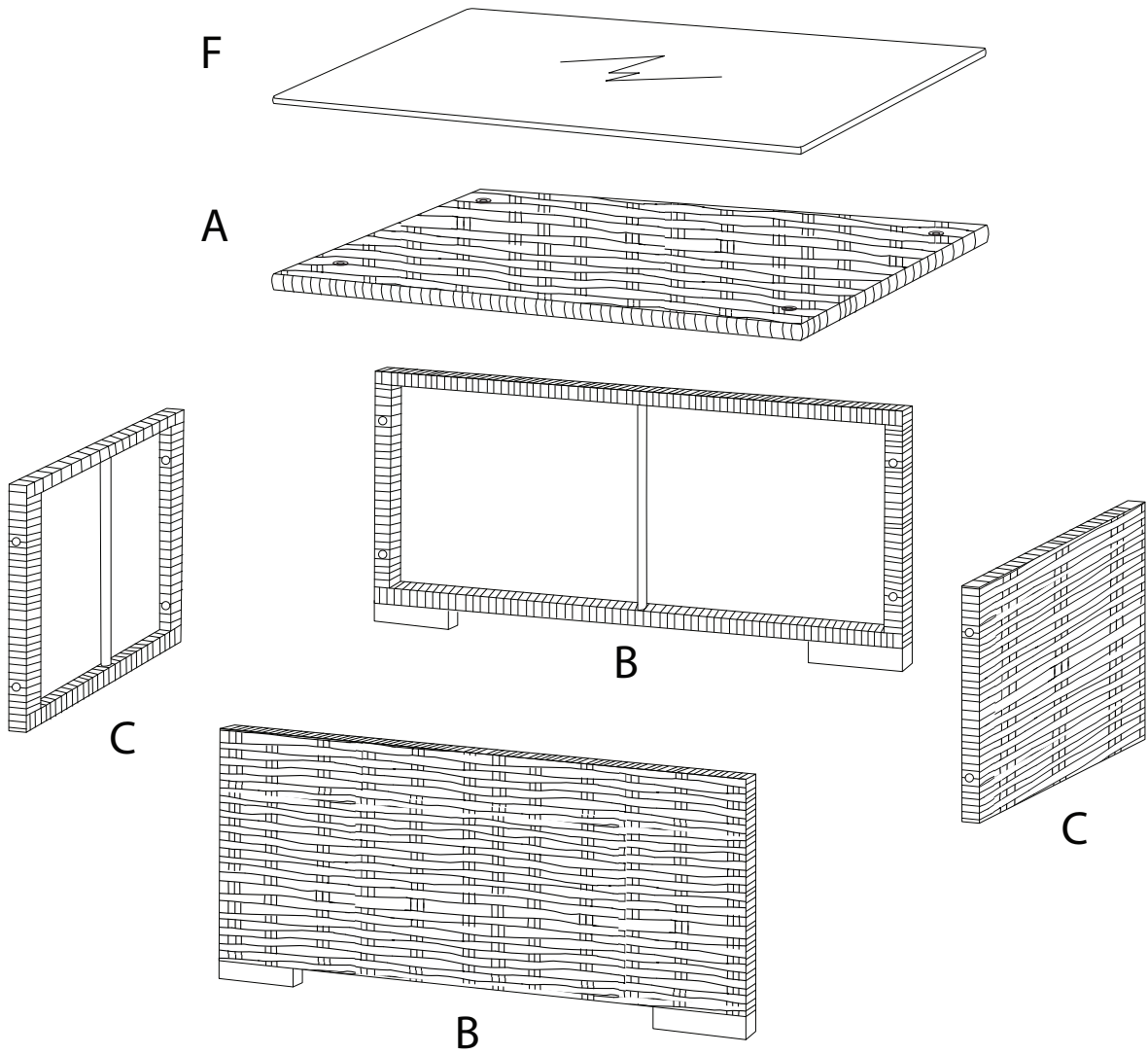
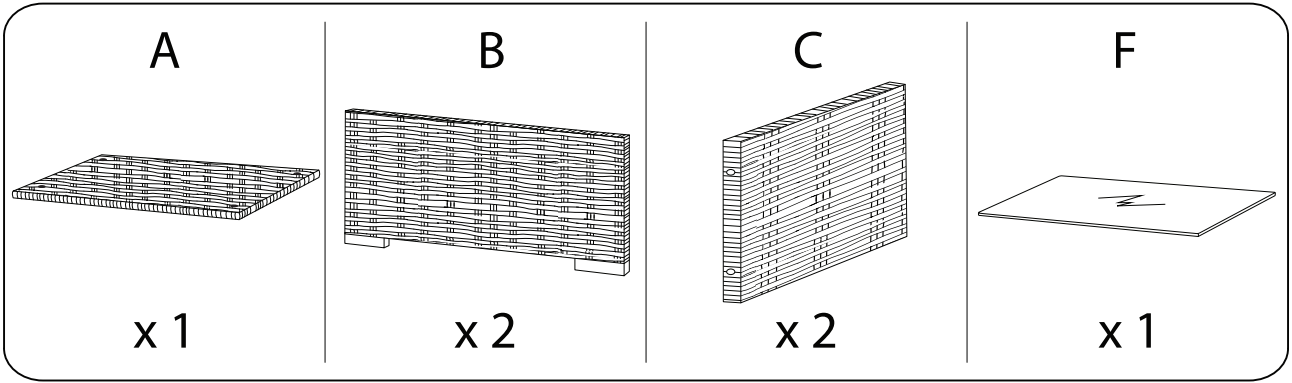


120'

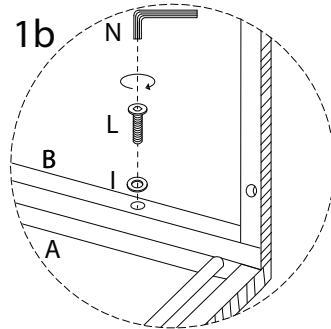
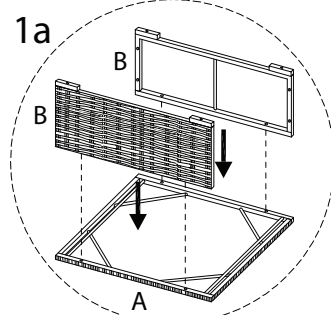
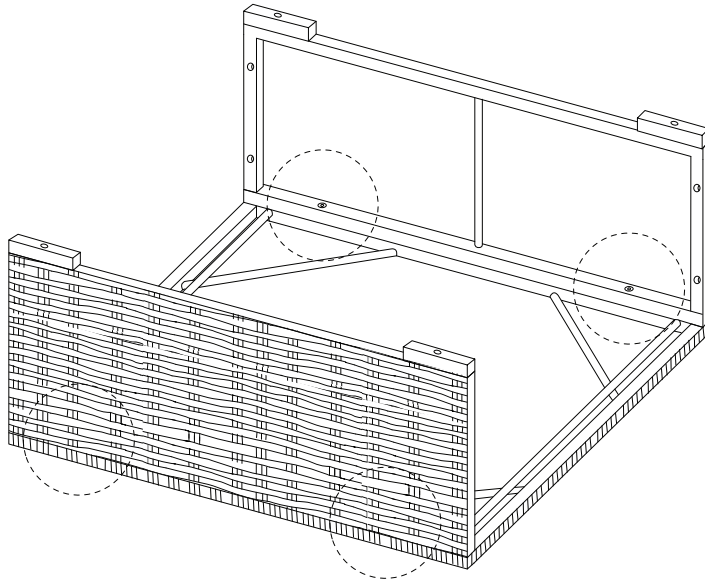
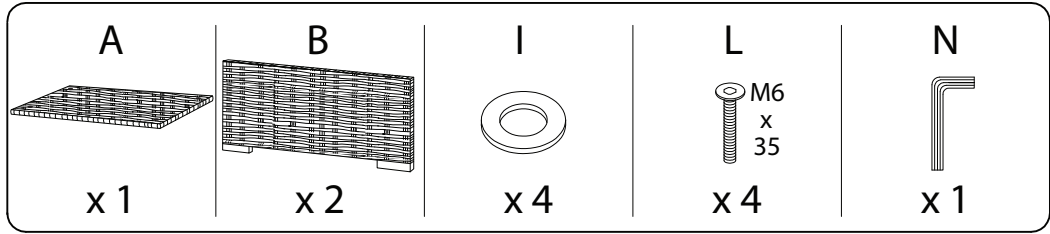


2

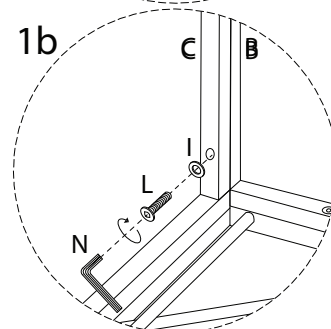
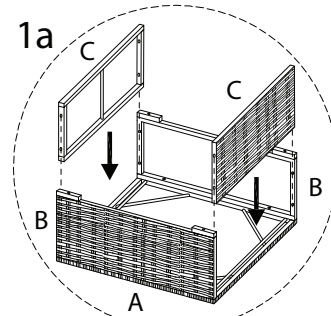
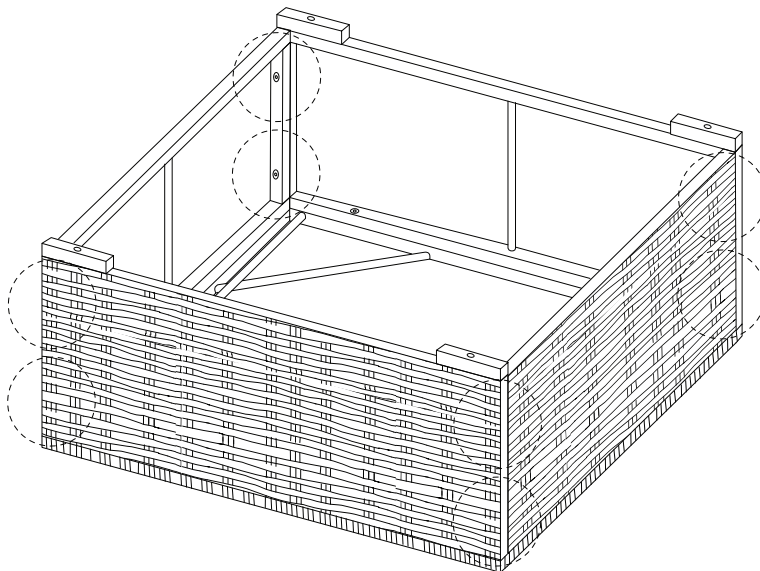
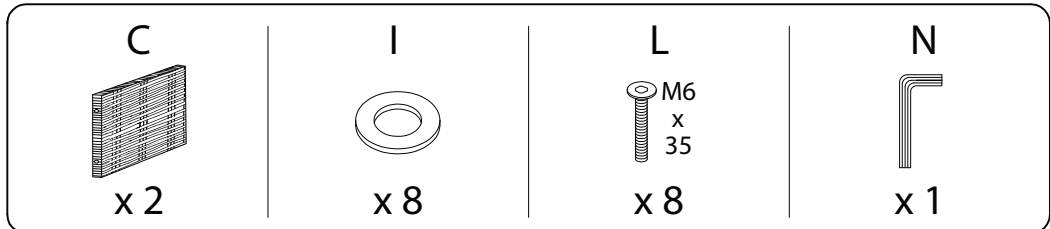
# A



1

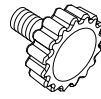


2

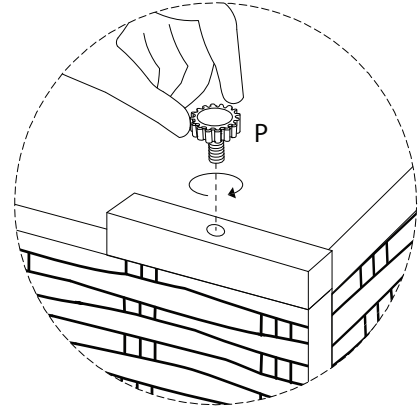
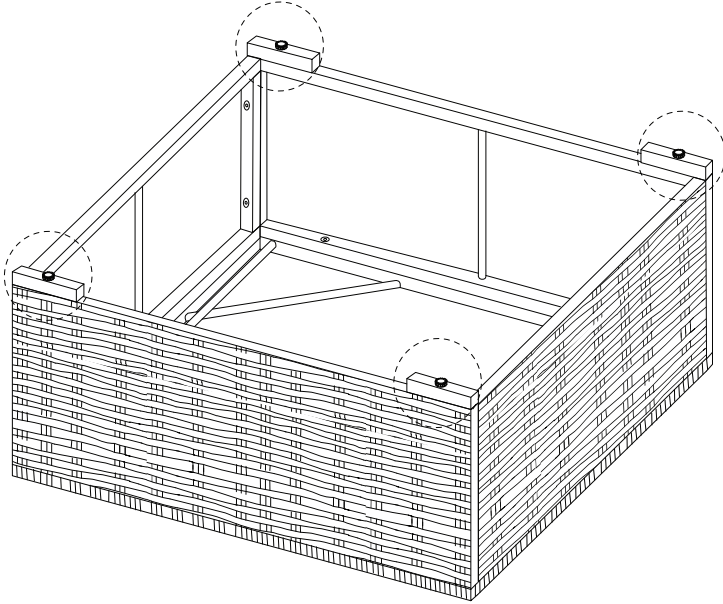


3

P

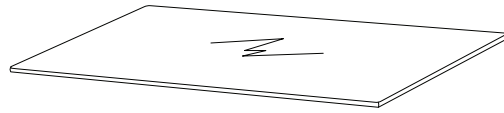


x 4



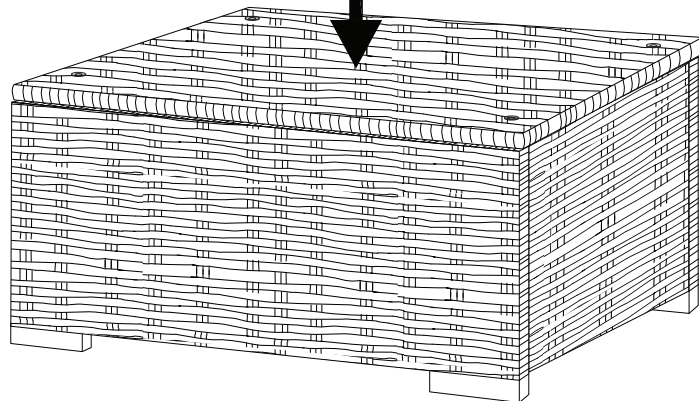
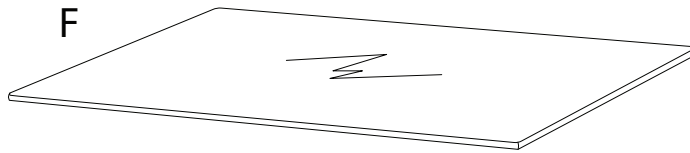
4

F

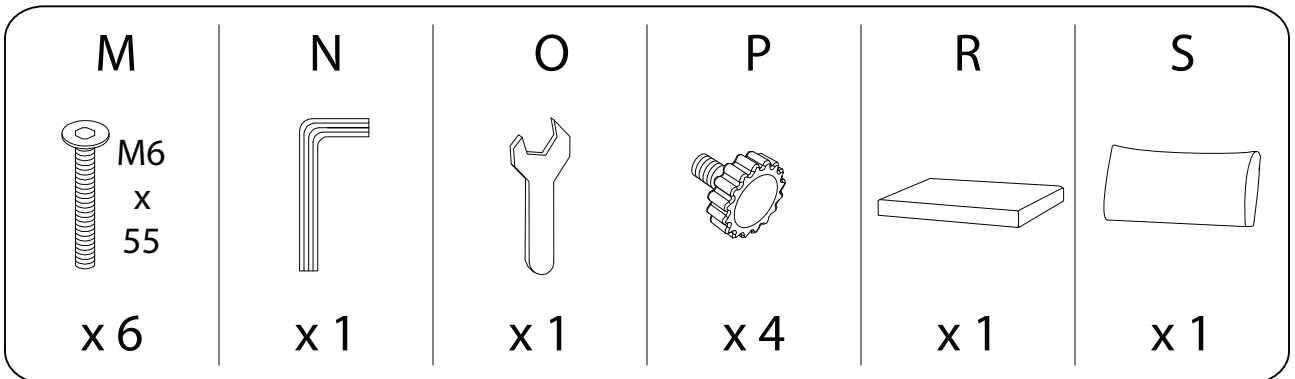
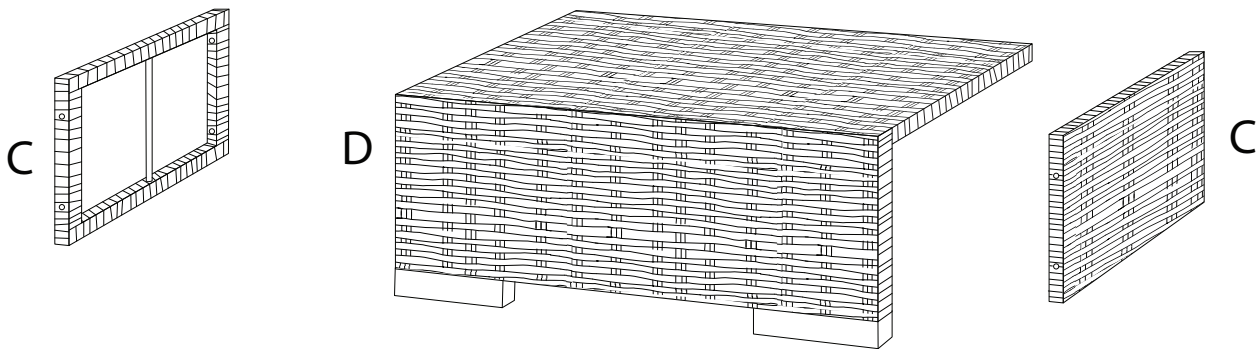
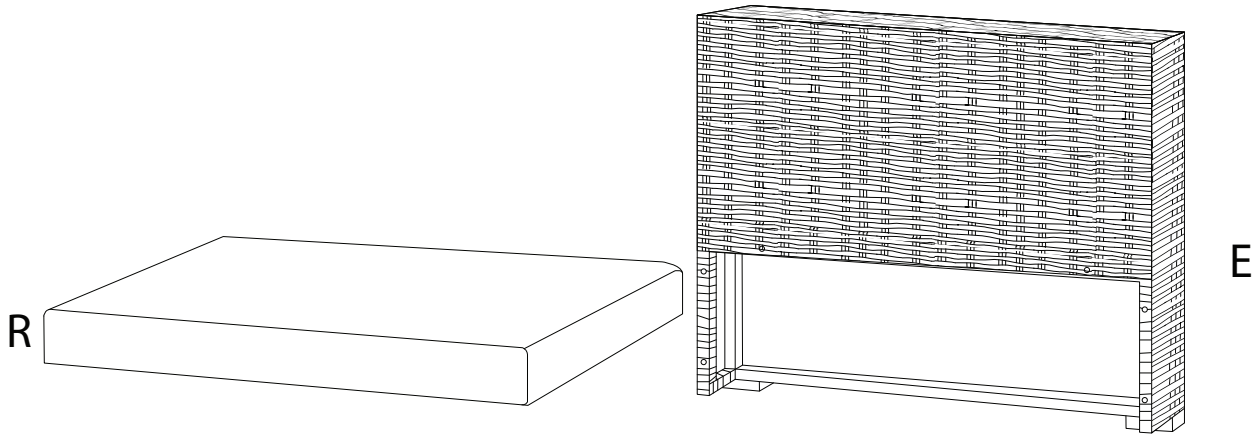
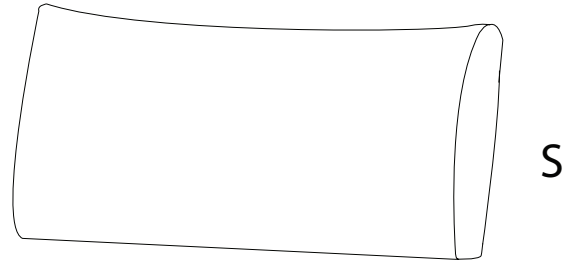
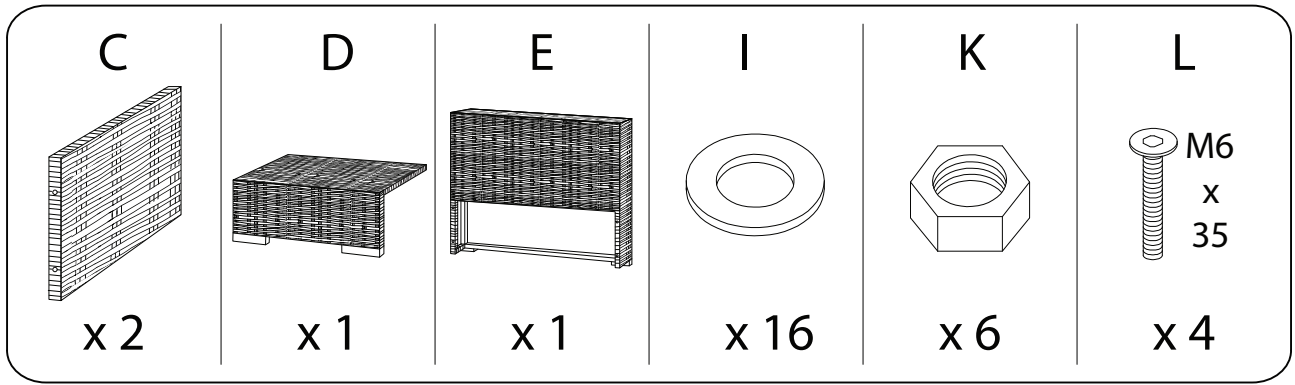


x 1

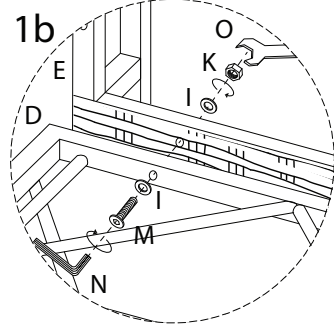
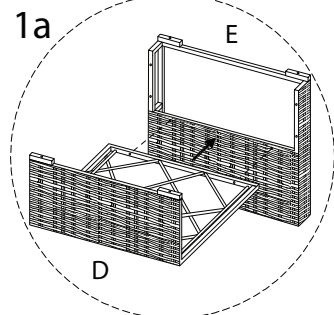
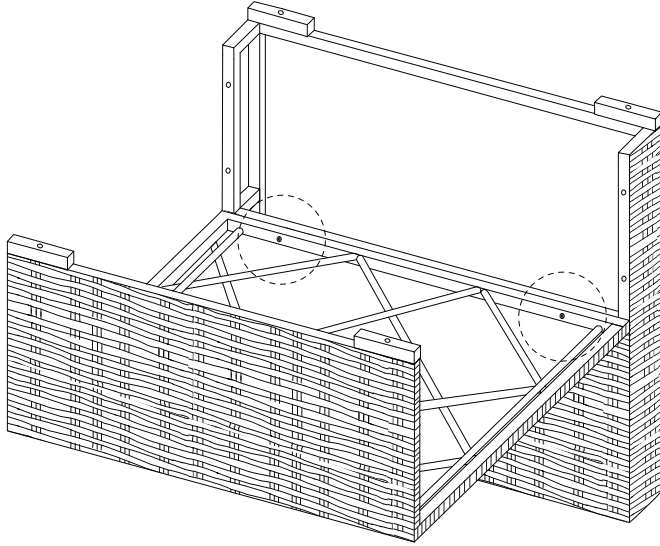
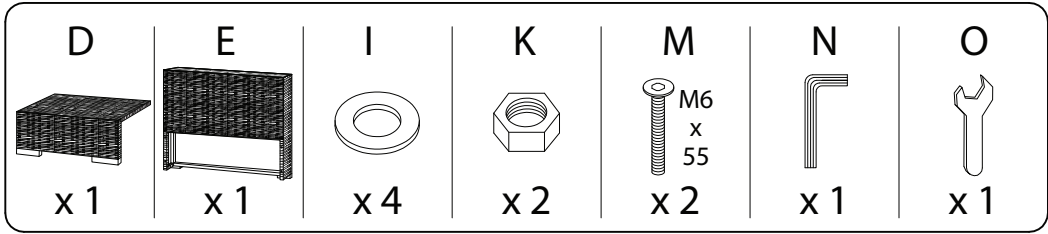
F



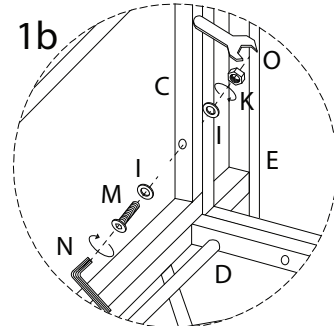
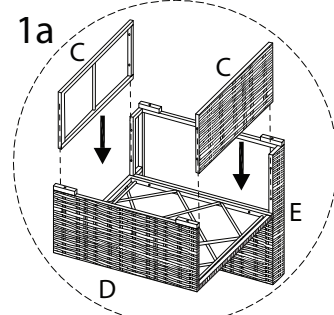
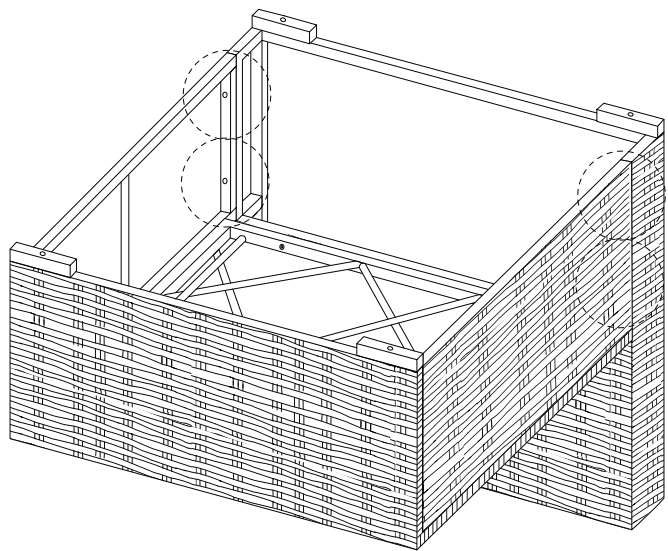
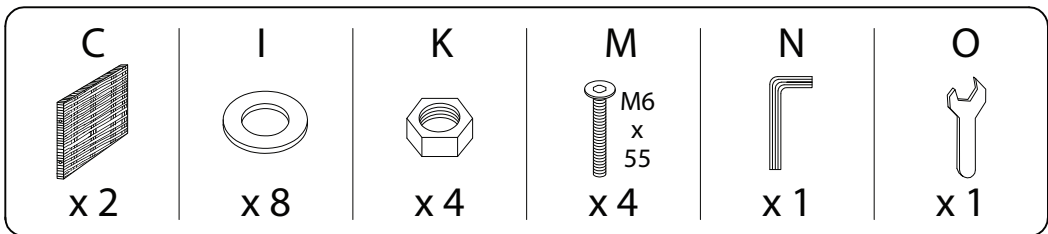
# B x 4



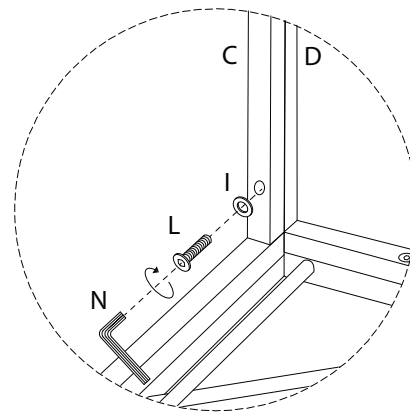
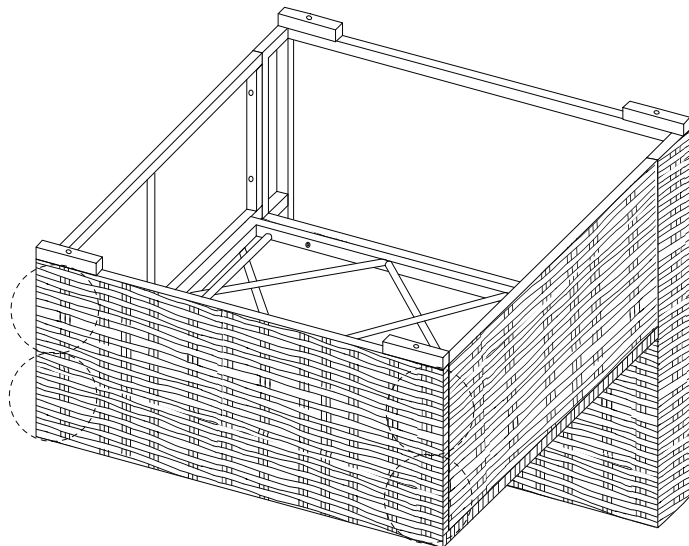
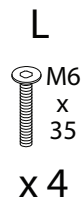
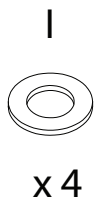
1



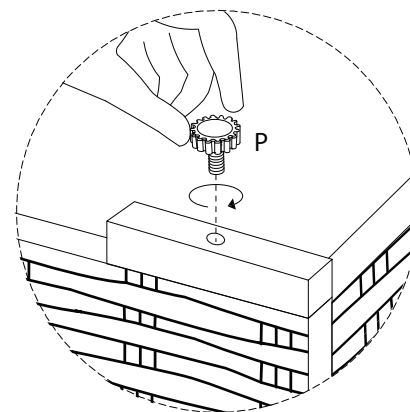
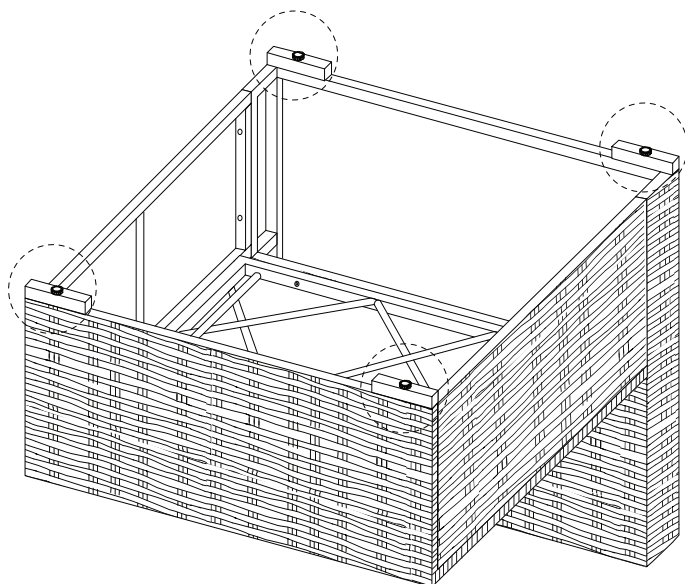
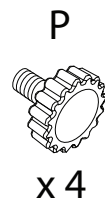
2



3

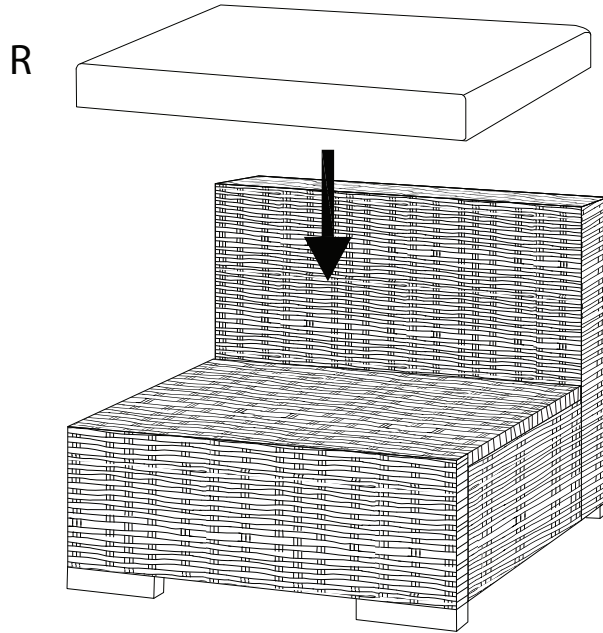
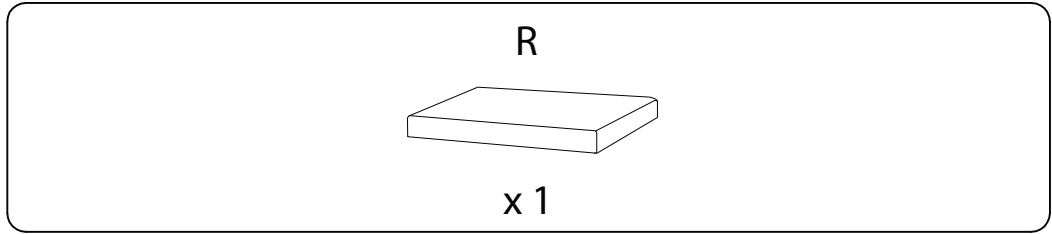


4

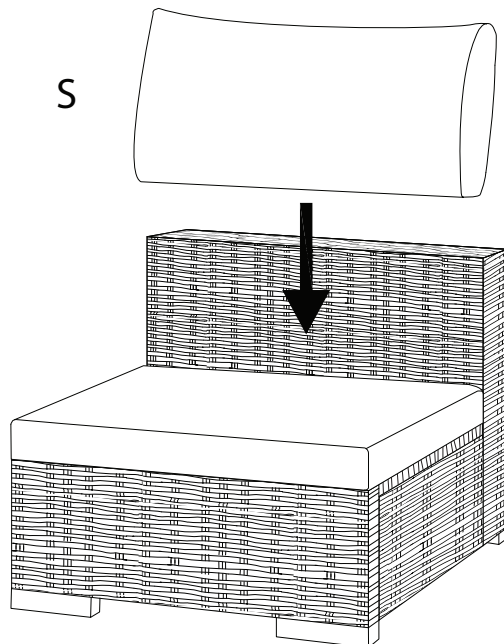
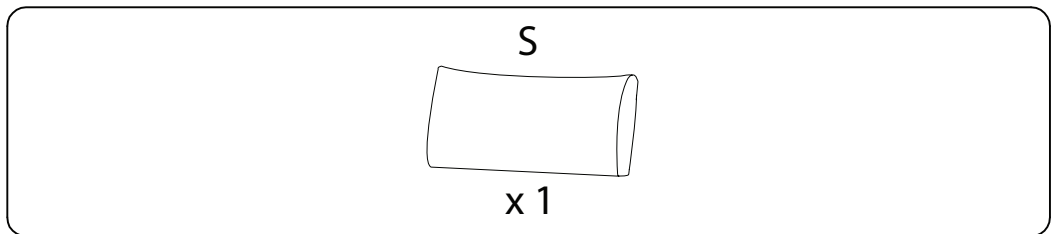




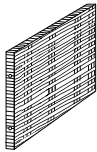

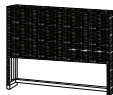
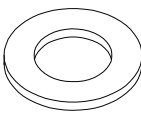
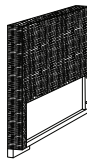
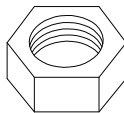
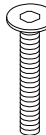
5

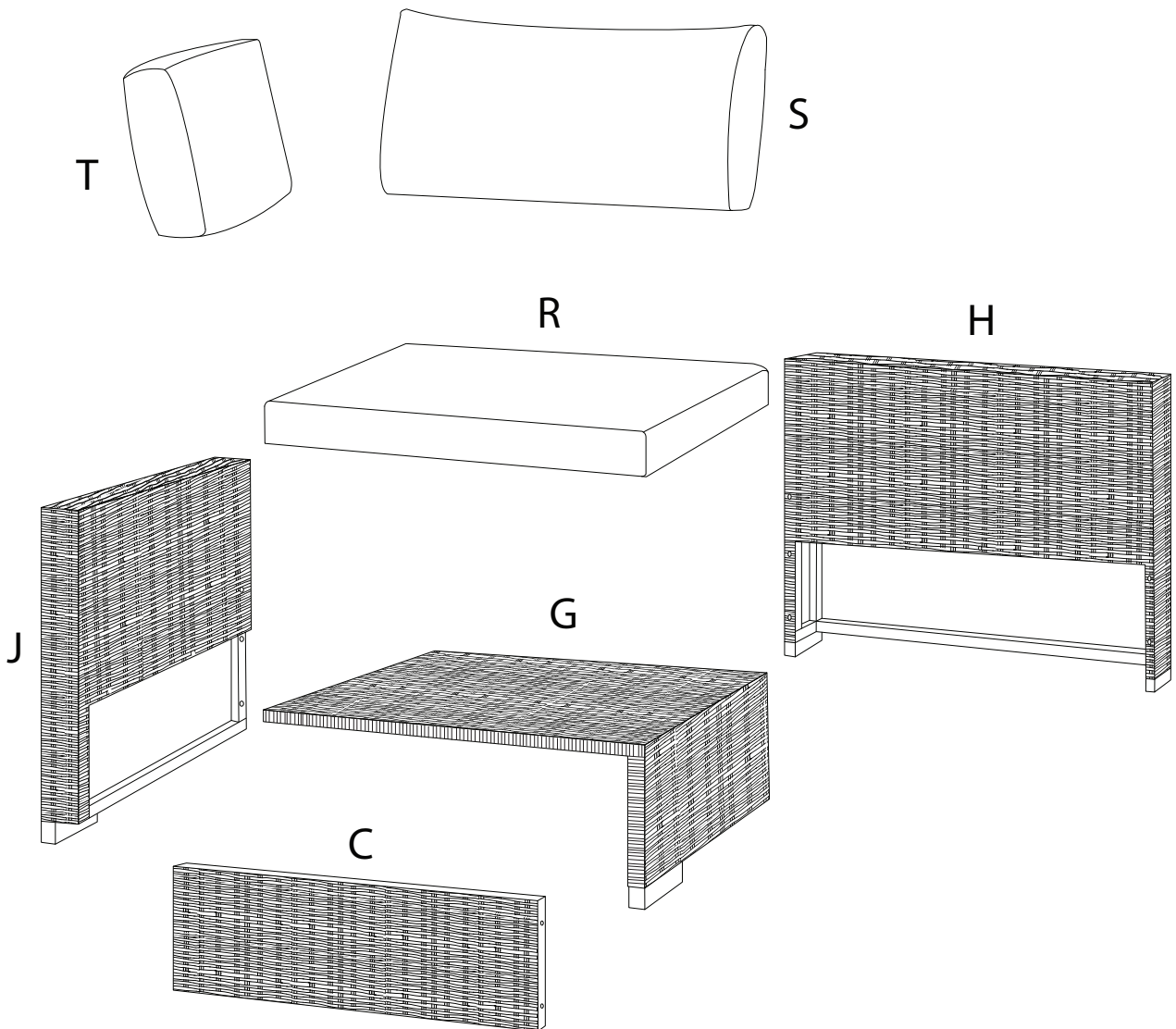


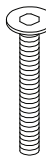
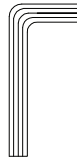
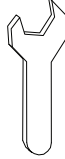
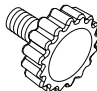


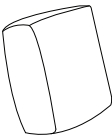
6



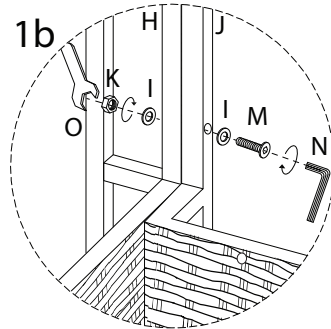
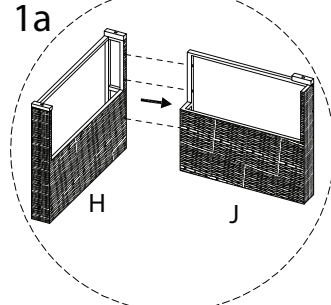
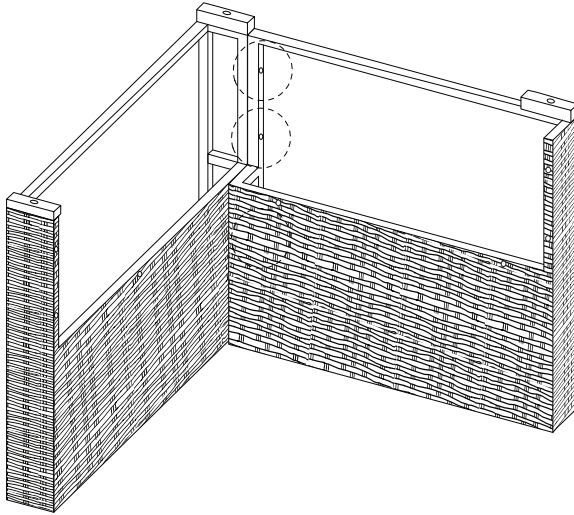
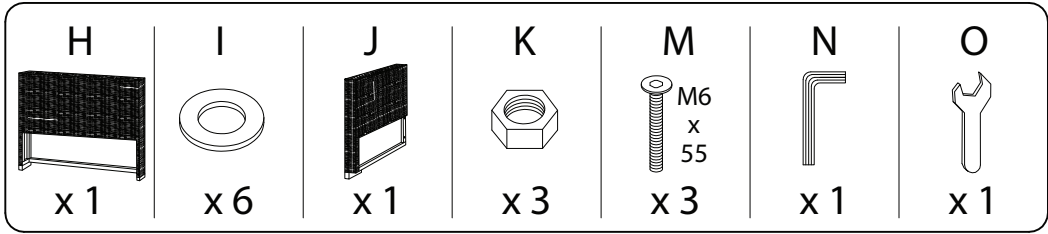
# C x 2

C	G	H	I	J	K	L
						
x 1	x 1	x 1	x 22	x 1	x 10	x 2

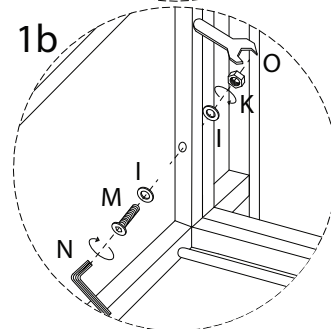
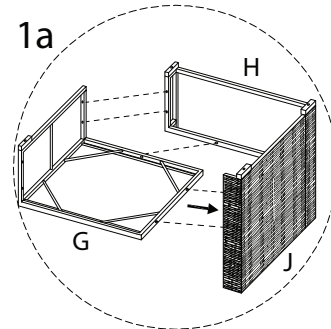
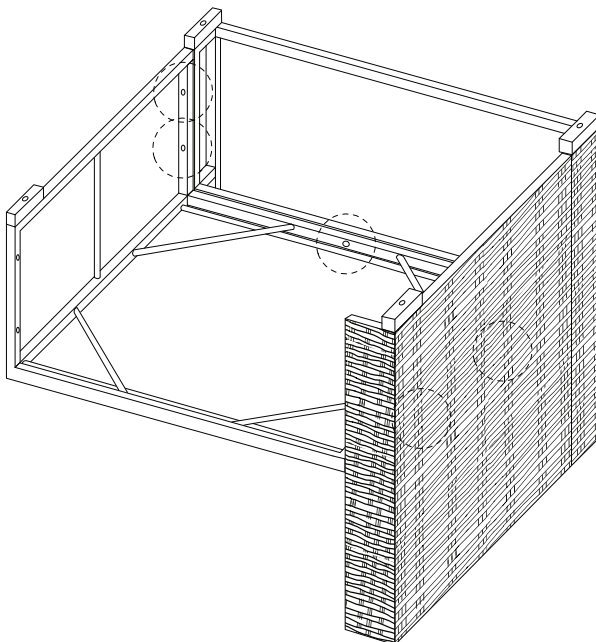
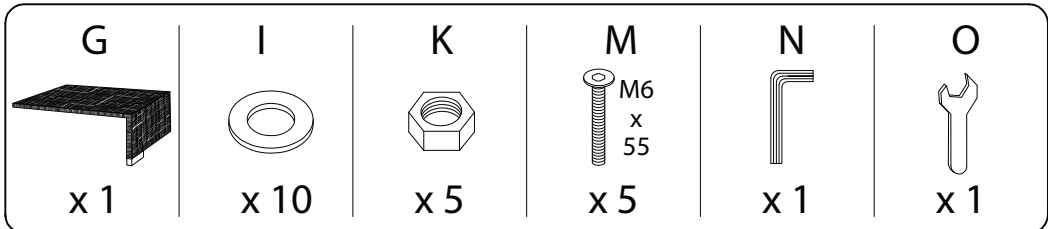


M	N	O	P	R	S	T
						
x 10	x 1	x 1	x 4	x 1	x 1	x 1

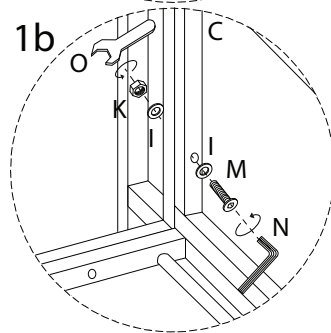
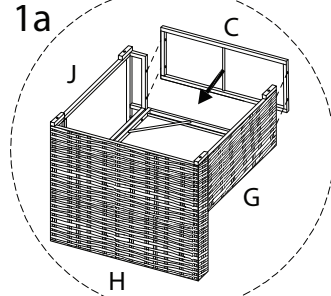
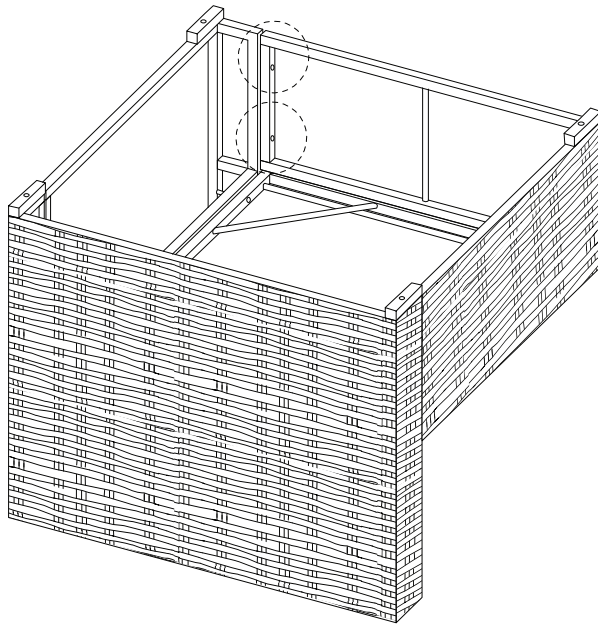
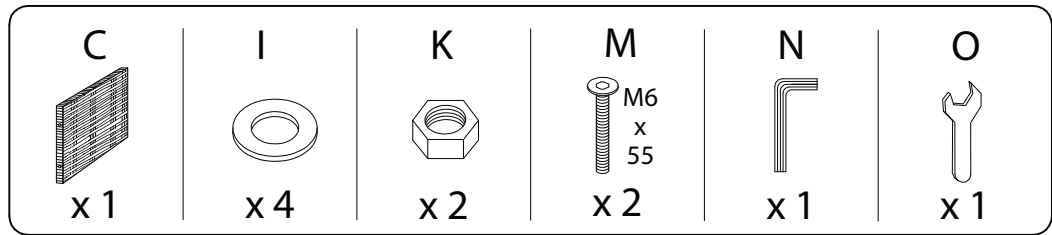
1



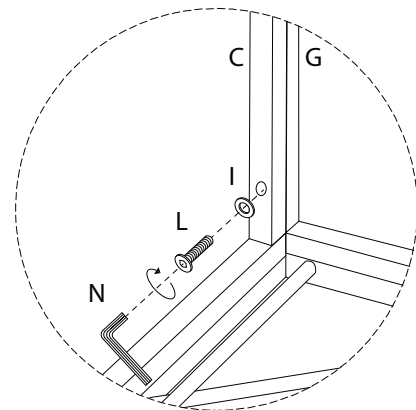
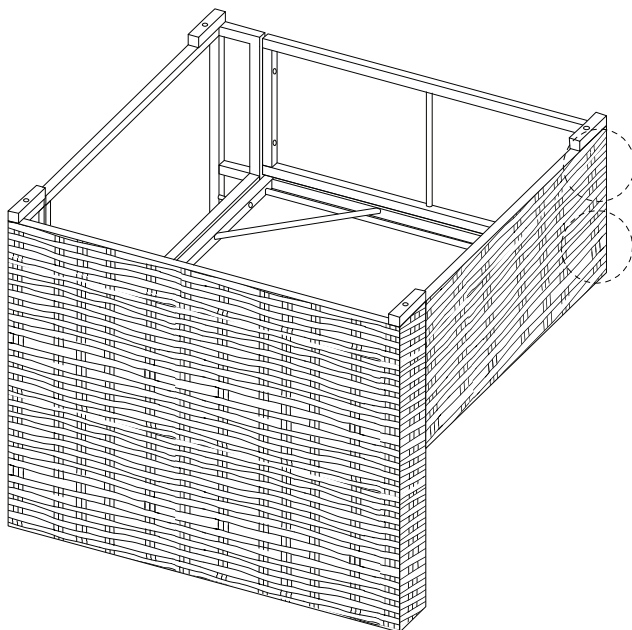
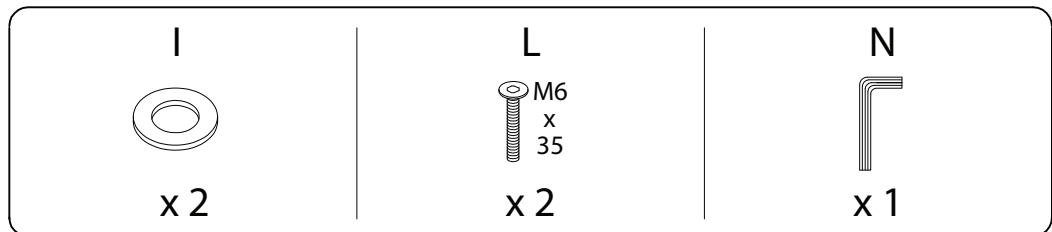
2



3

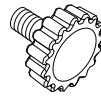


4

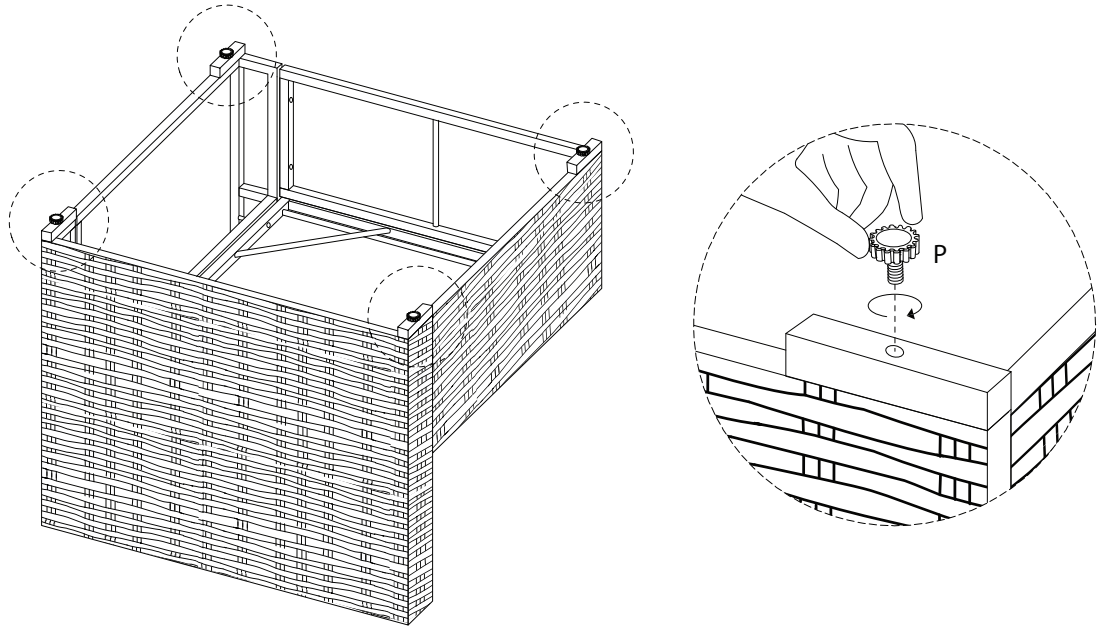


5

P



x 4

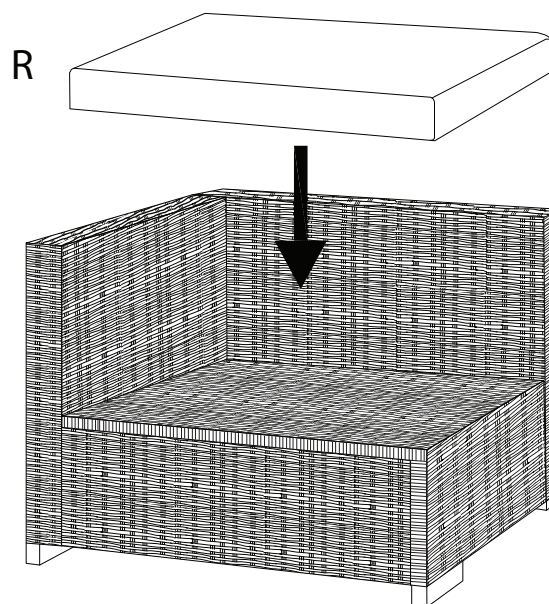


6

R



x 1



7

