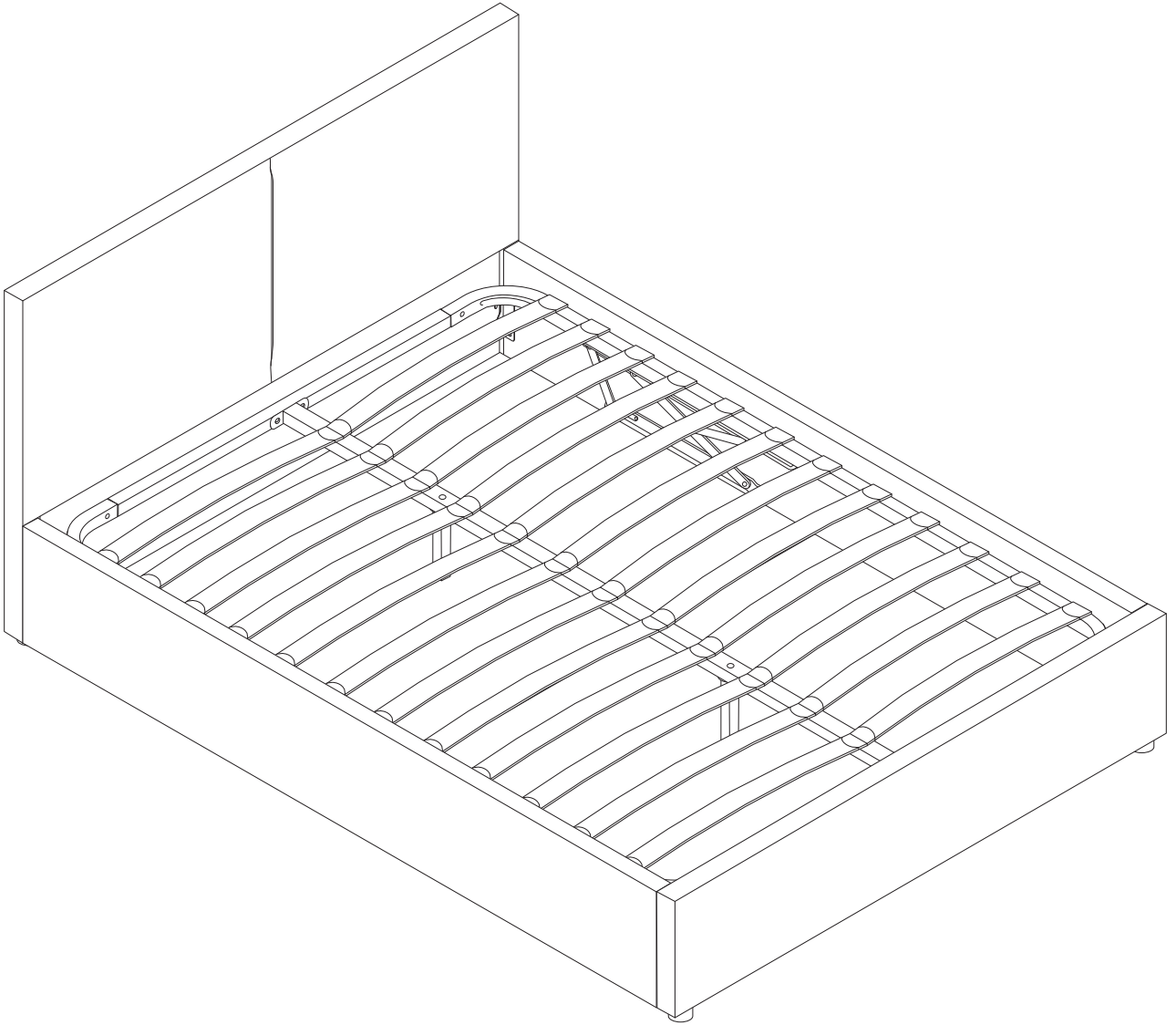
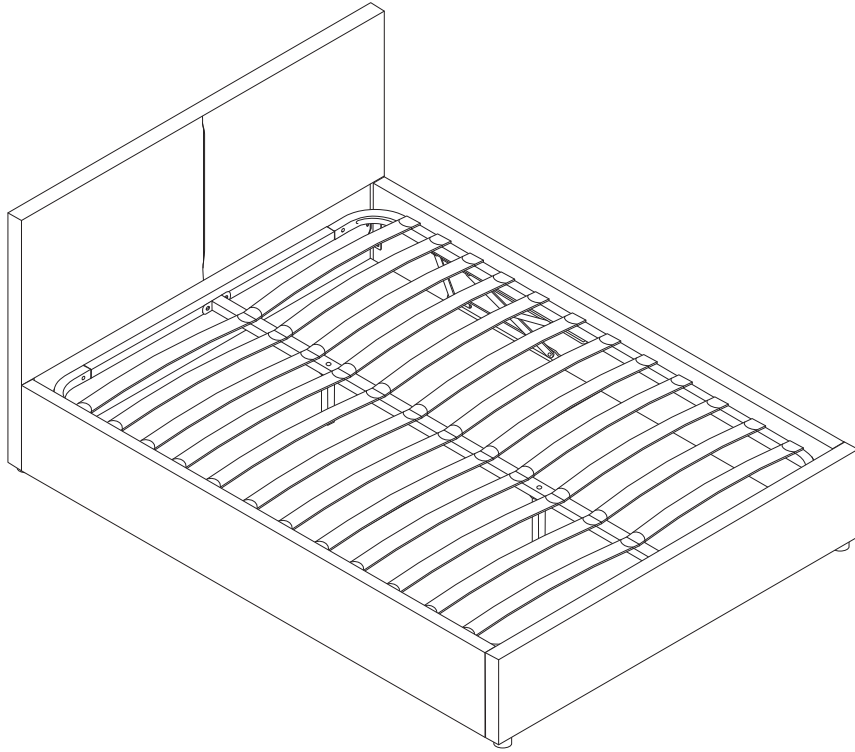
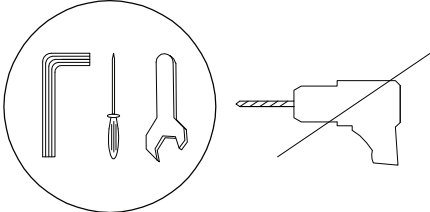

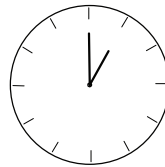
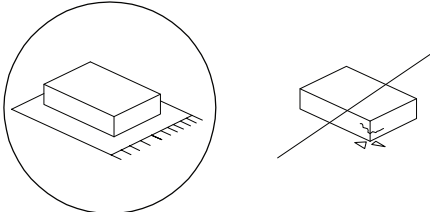




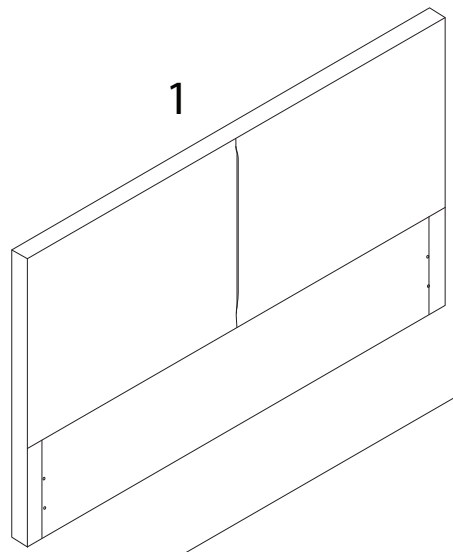
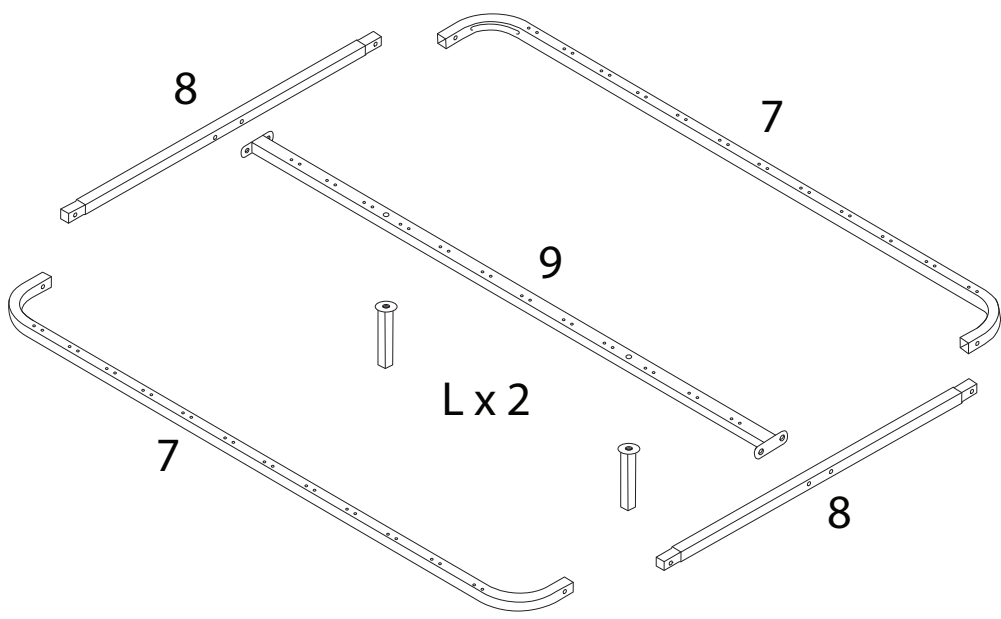
MOISSAC



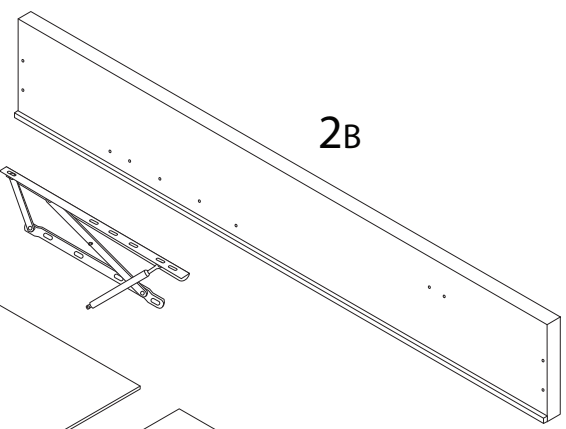


		
		60'
		
		2

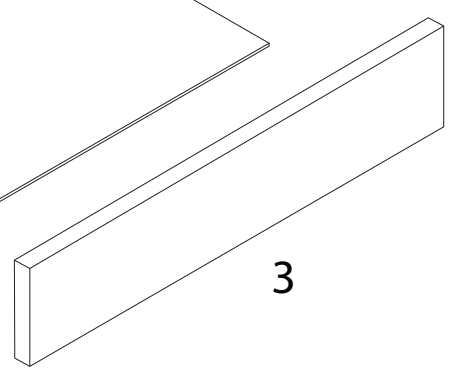
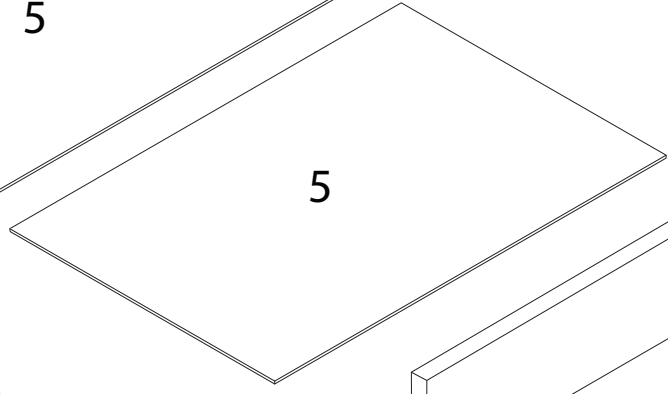
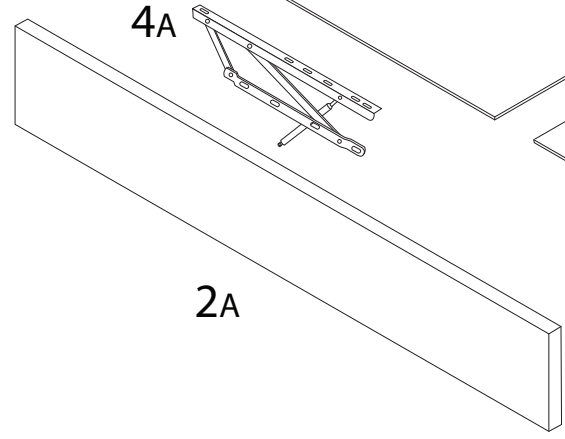
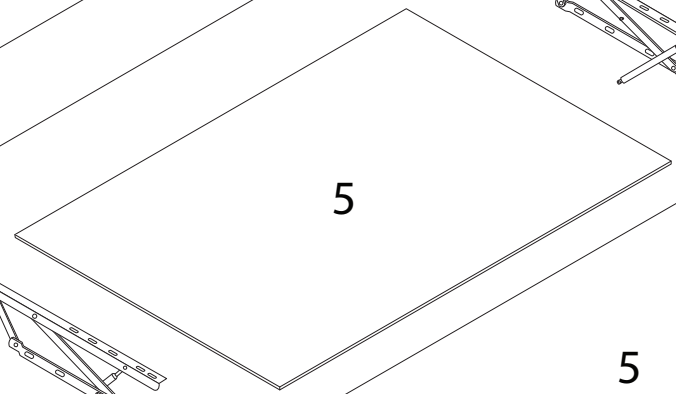
6 x 24



P



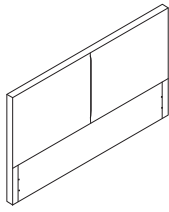
P



P

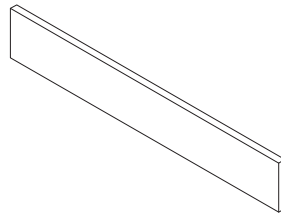
P

1



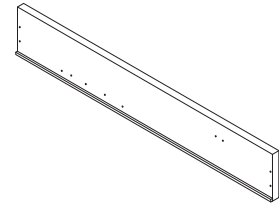
x 1

2A



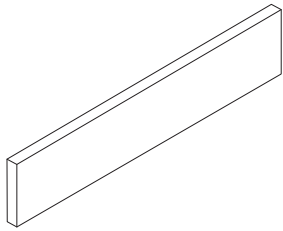
x 1

2B



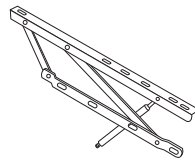
x 1

3



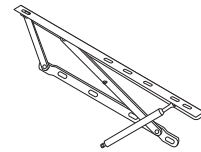
x 1

4A



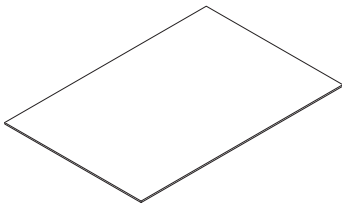
x 1

4B



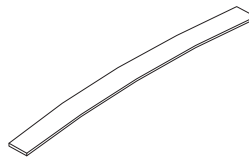
x 1

5



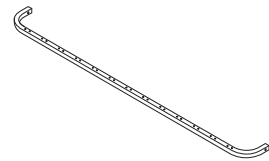
x 2

6



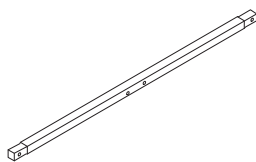
x 24

7



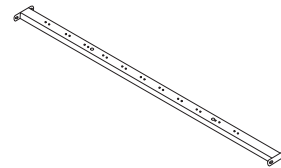
x 2

8



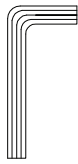
x 2

9



x 1

A



x 1

B



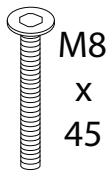
x 24

C



x 4

D



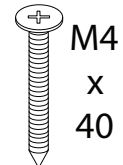
x 16

E



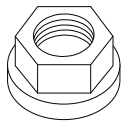
x 1

F



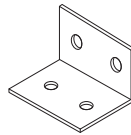
x 14

G



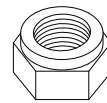
x 14

H



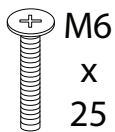
x 4

I



x 2

J



x 8

K



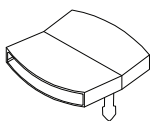
x 10

L



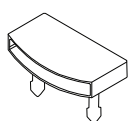
x 2

M



x 12

N



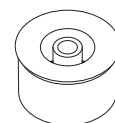
x 24

O



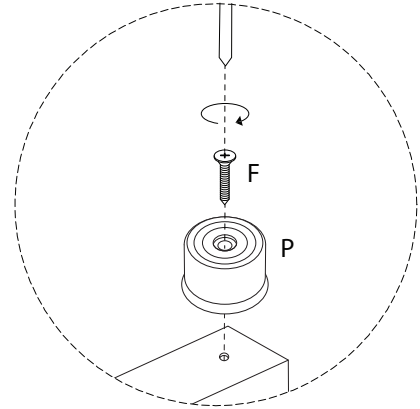
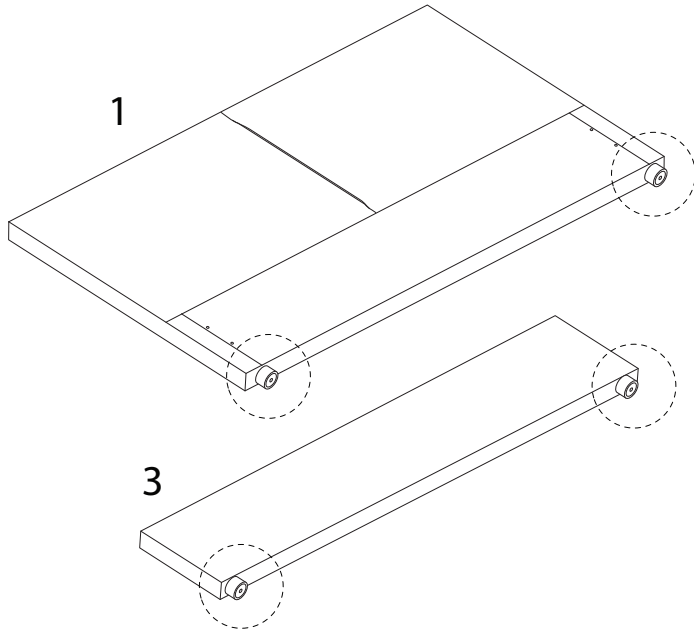
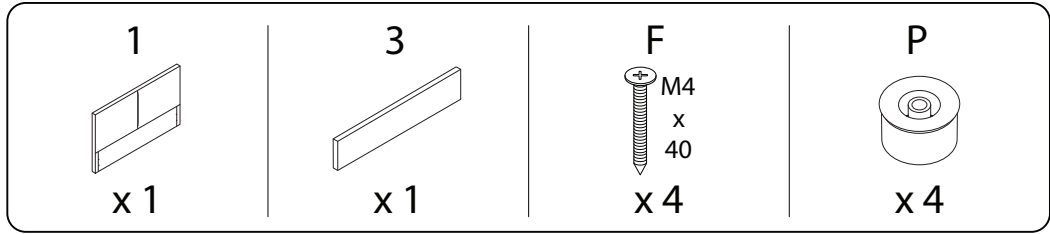
x 1

P

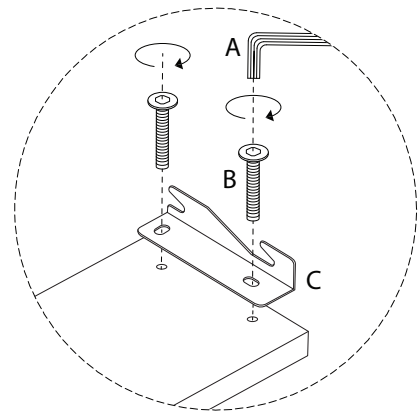
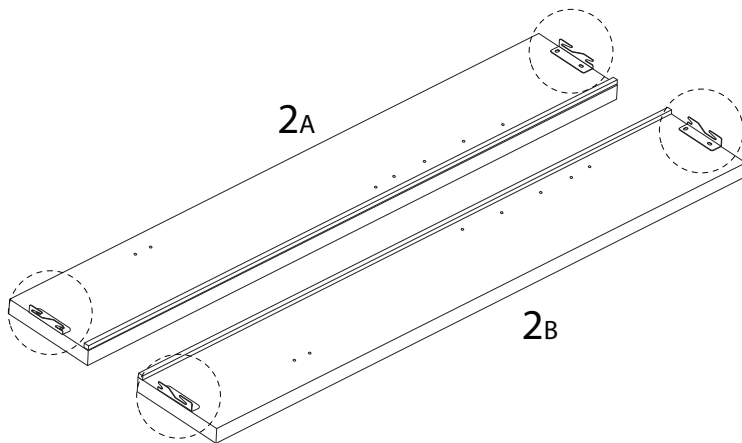
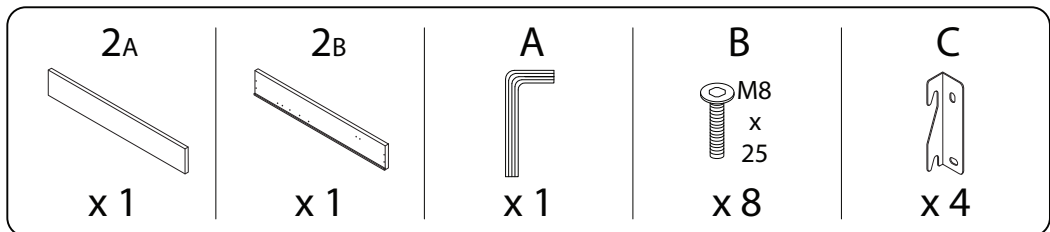


x 4

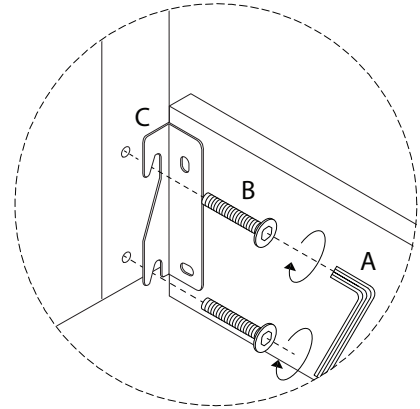
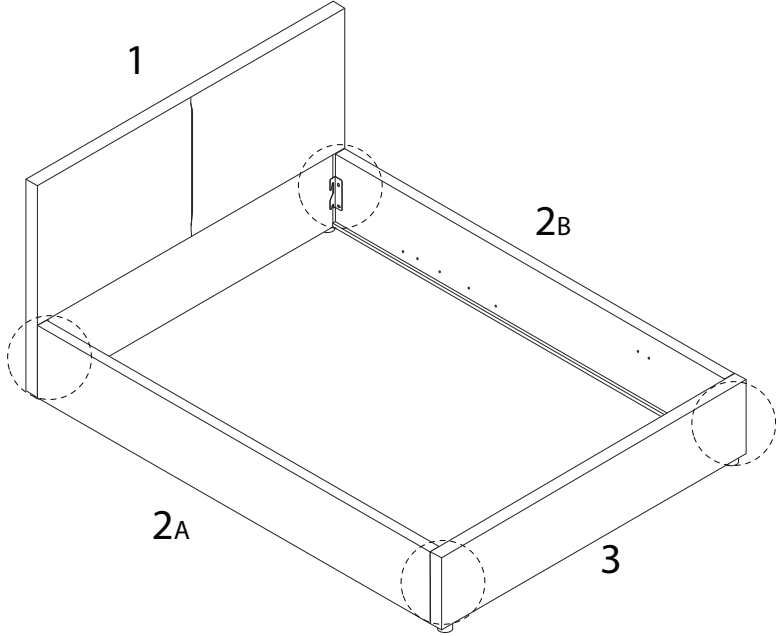
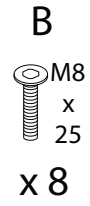
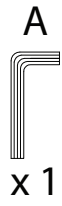
1



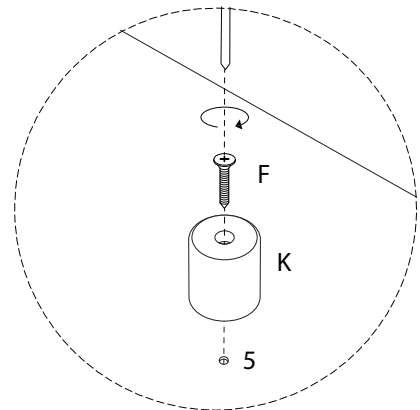
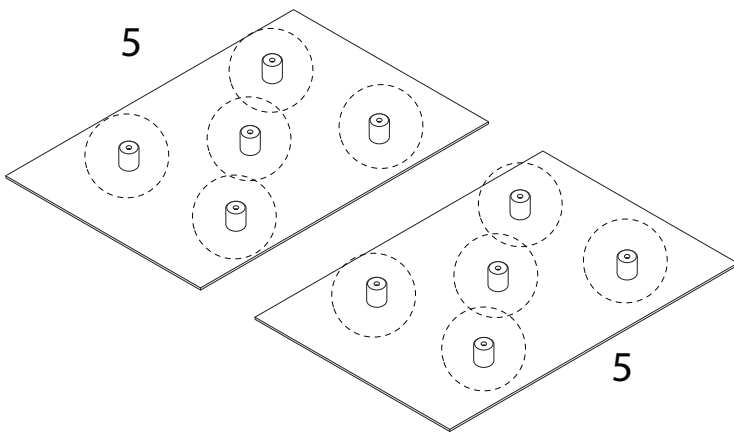
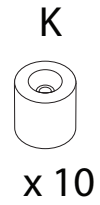
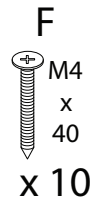
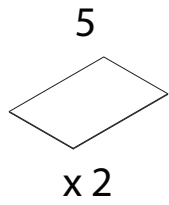
2



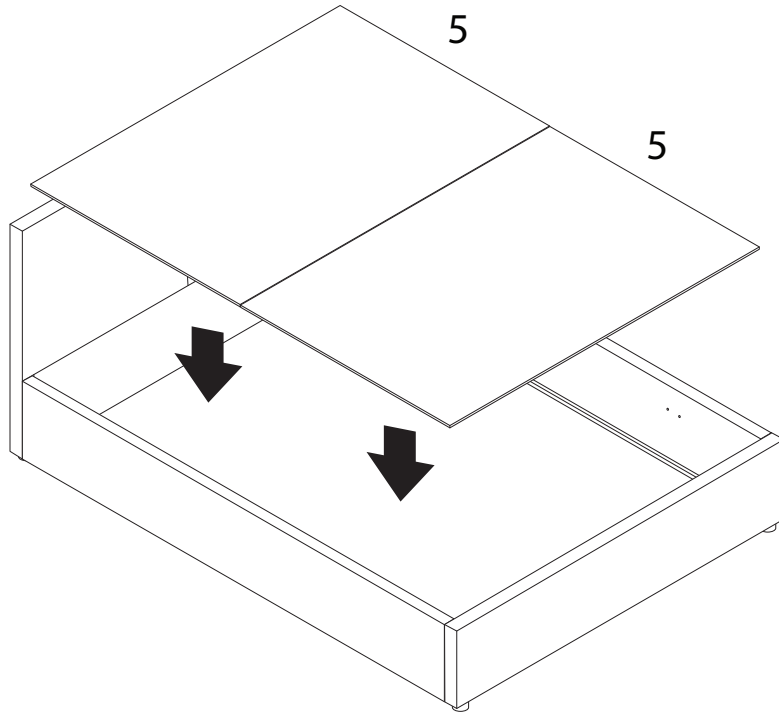
3



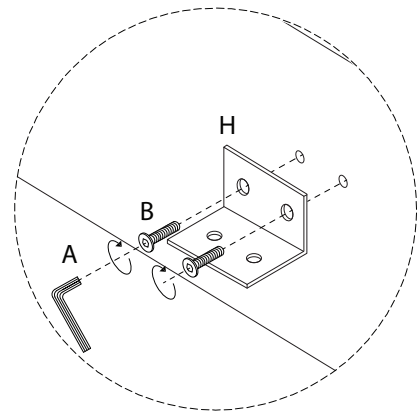
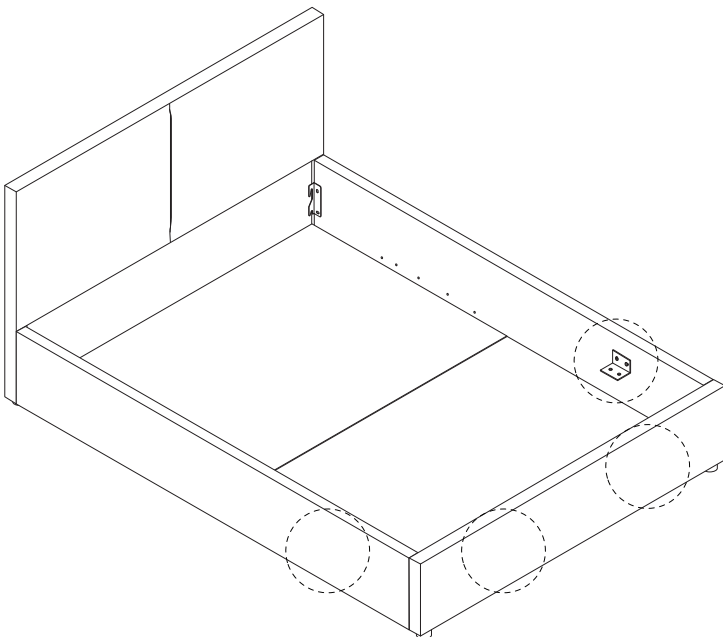
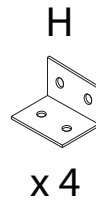
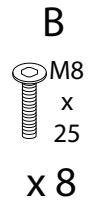
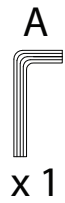
4



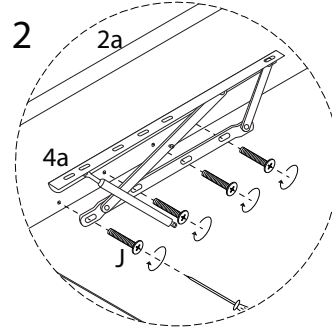
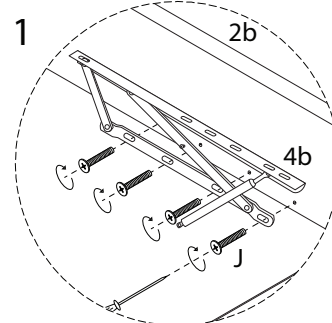
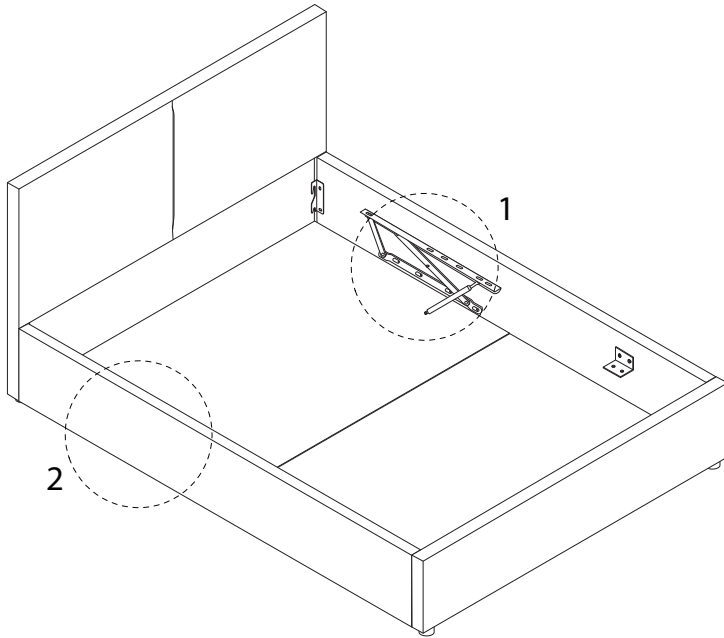
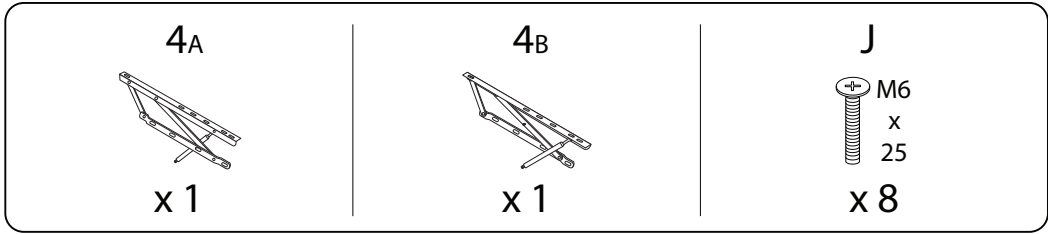
5



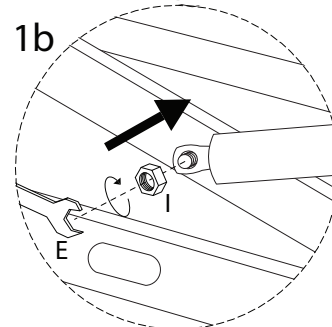
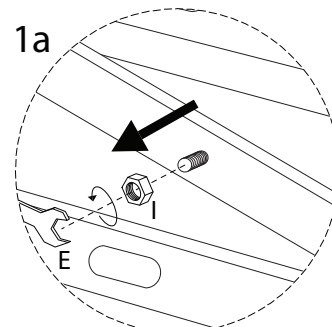
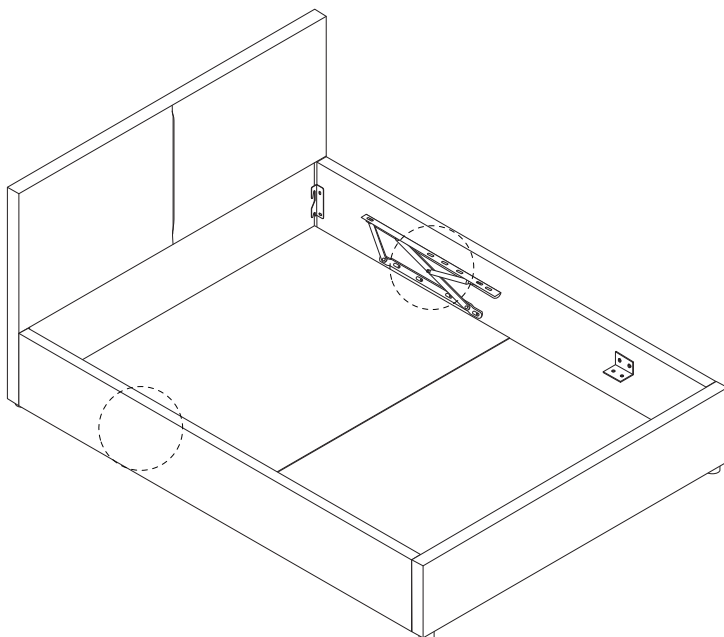
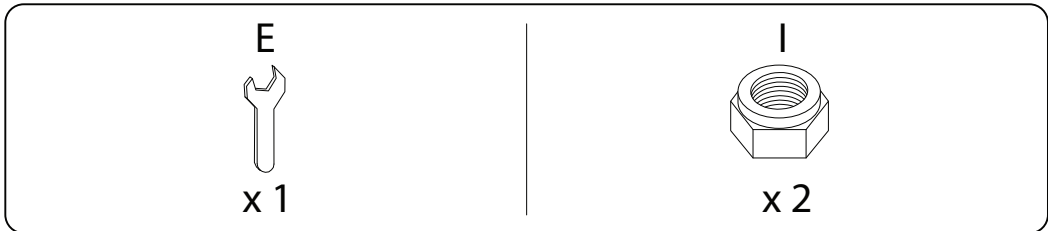
6



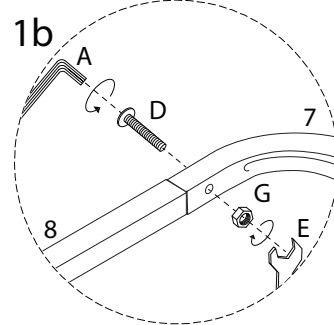
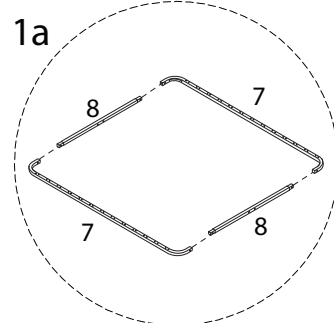
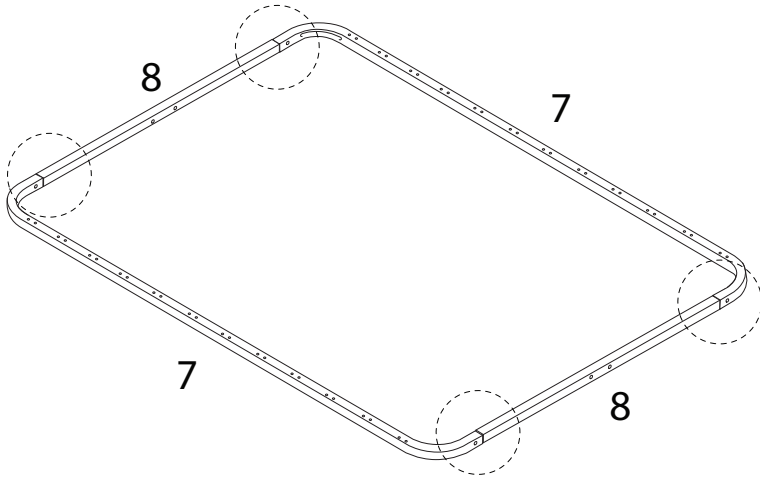
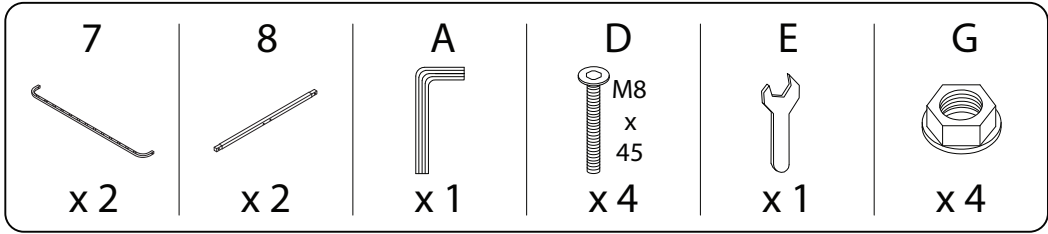
7



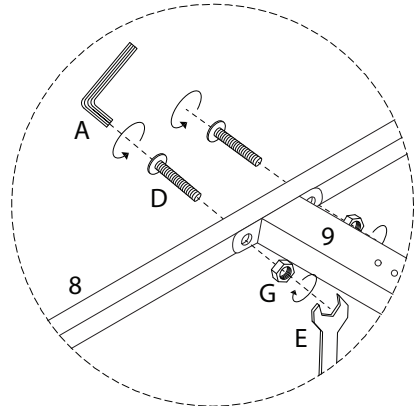
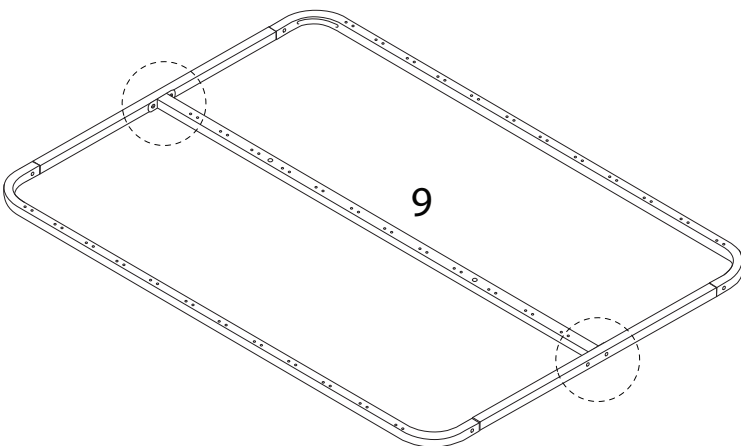
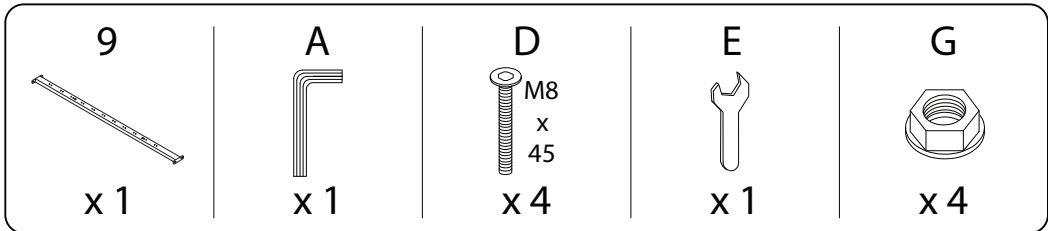
8



9

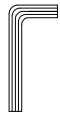


10



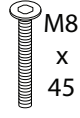
11

A



x 1

D

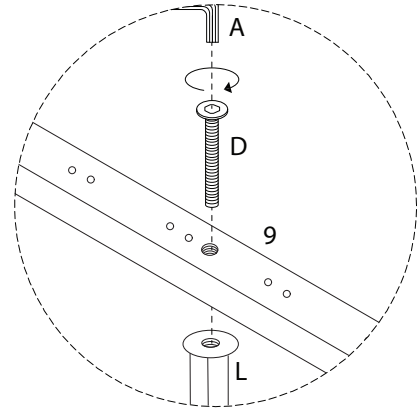
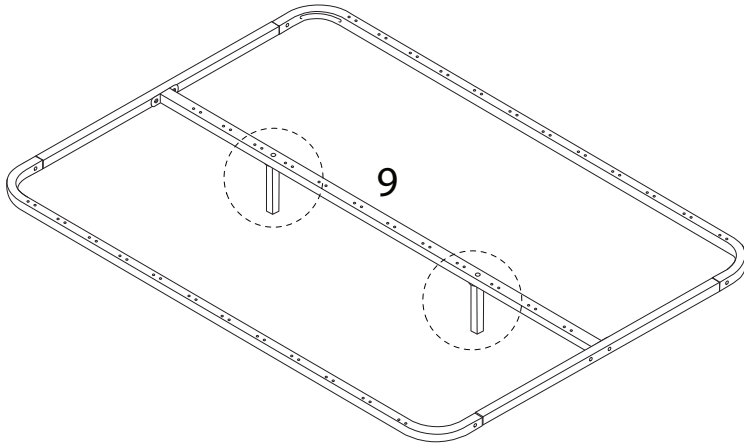


x 2

L

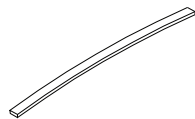


x 2



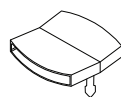
12 x 12

6



x 2

M

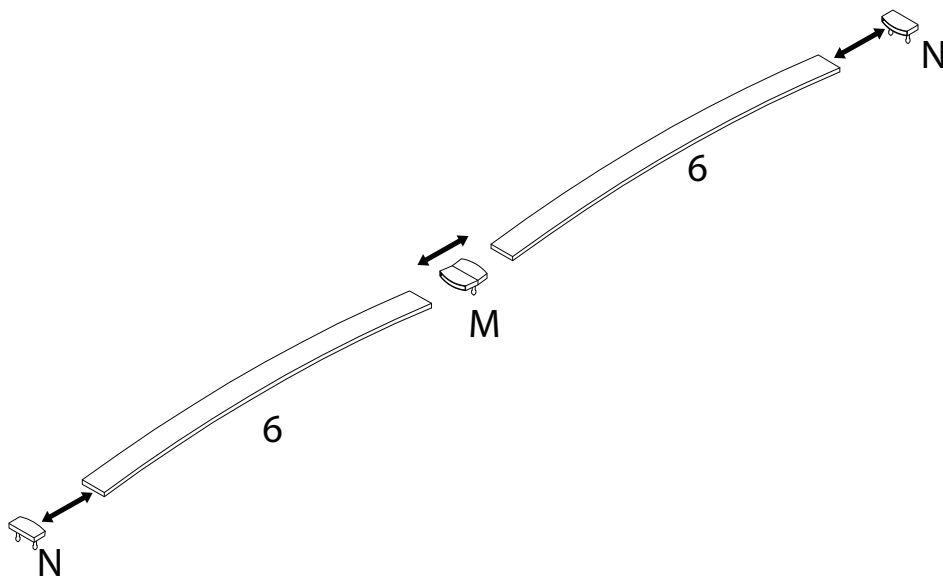


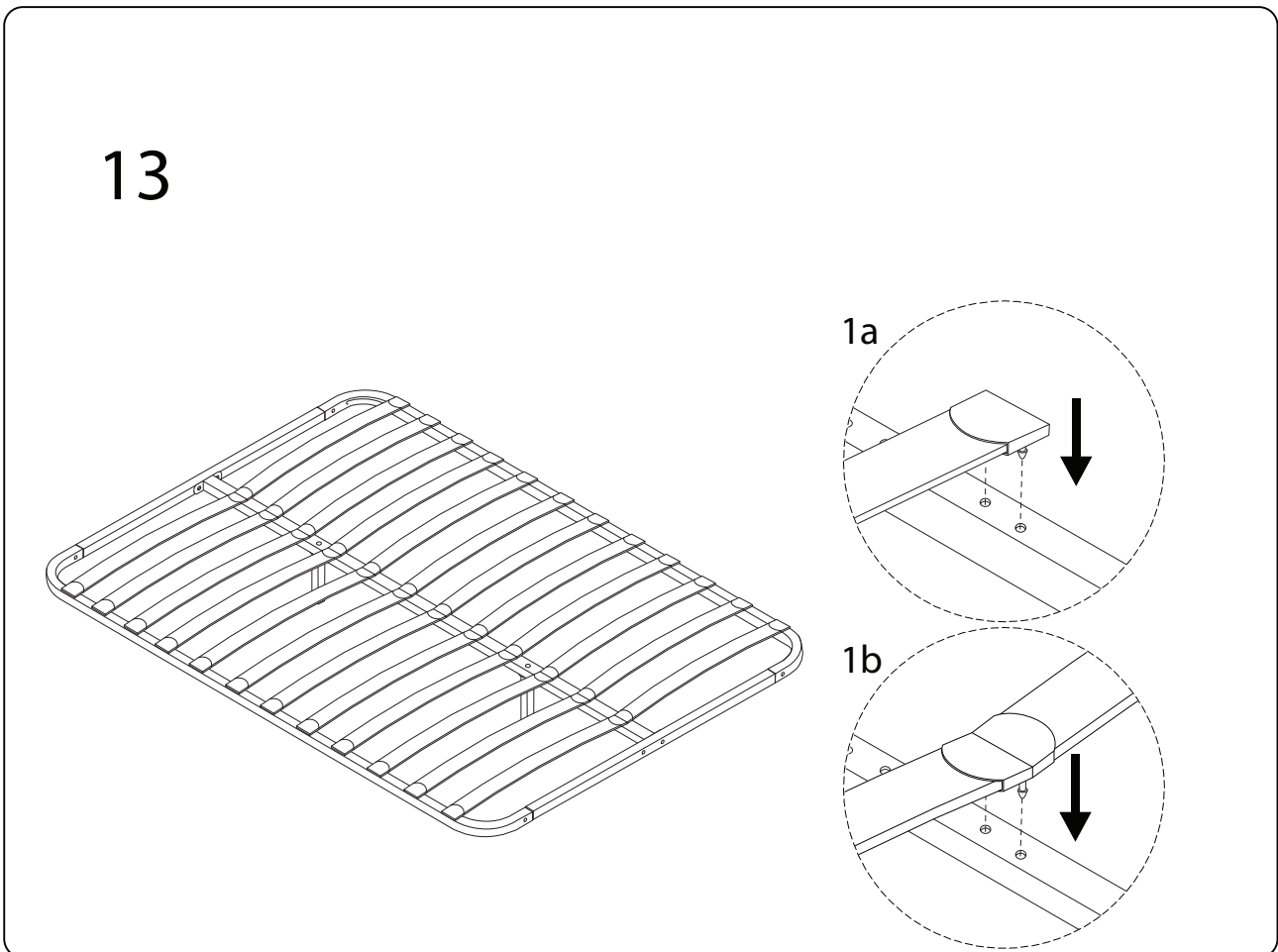
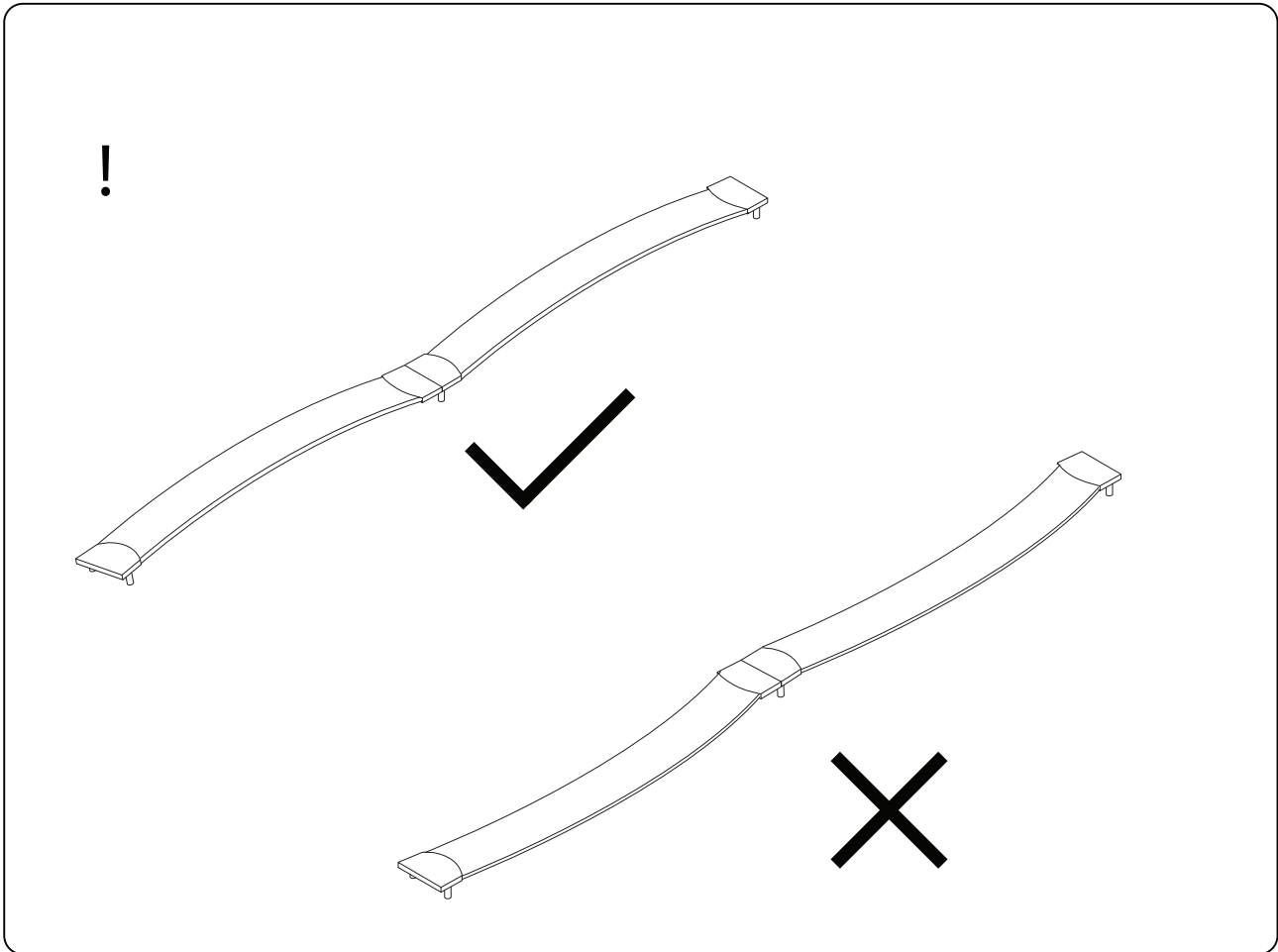
x 1

N



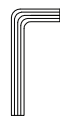
x 2





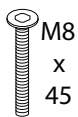
14

A



x 1

D



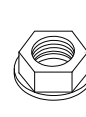
x 6

E

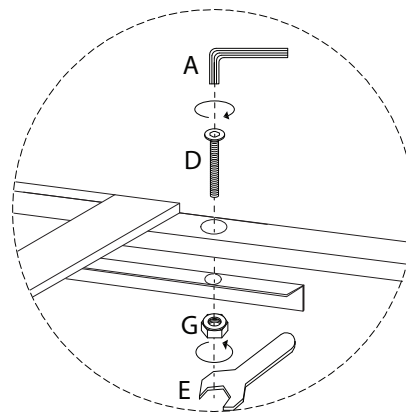
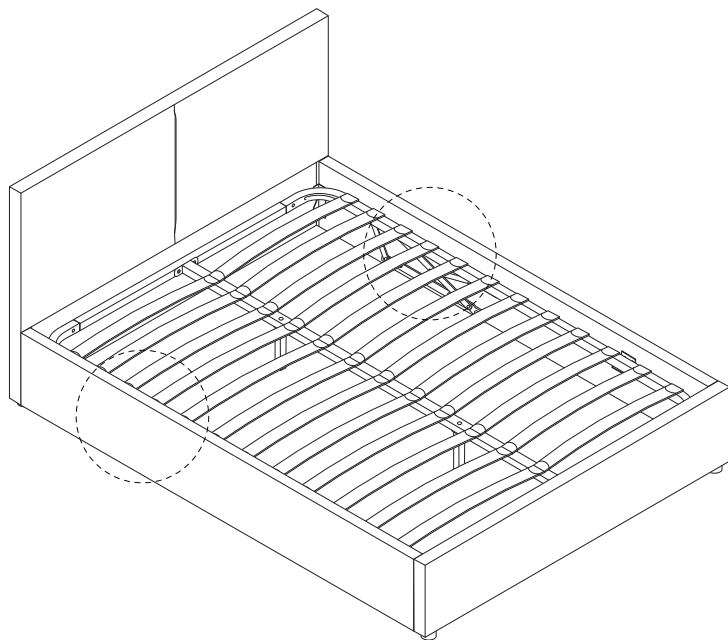


x 1

G



x 6



15

O



x 1

